

US00D502679S

(12) **United States Design Patent**
Boyer

(10) **Patent No.:** **US D502,679 S**
(45) **Date of Patent:** **** Mar. 8, 2005**

(54) **FRONT FACE OF A VEHICLE WHEEL**

(75) **Inventor:** **Boyke Boyer, Ismaning (DE)**

(73) **Assignee:** **Bayerische Motoren Werke
Aktiengesellschaft, Munich (DE)**

(**) **Term:** **14 Years**

(21) **Appl. No.:** **29/188,658**

(22) **Filed:** **Aug. 22, 2003**

(30) **Foreign Application Priority Data**

Feb. 25, 2003 (DE) 403 01 698

(51) **LOC (7) Cl.** **12-16**

(52) **U.S. Cl.** **D12/211**

(58) **Field of Search** D12/204-213;
301/37.101, 64.101, 65

(56) **References Cited**

U.S. PATENT DOCUMENTS

D406,807 S * 3/1999 Shikado D12/211
D411,502 S * 6/1999 Chung D12/211

D441,339 S * 5/2001 Hussaini et al. D12/211
D444,119 S * 6/2001 Brintouch D12/211
D445,753 S * 7/2001 Neeper D12/211
D457,119 S * 5/2002 Braun et al. D12/211
D469,729 S * 2/2003 Brintouch D12/209
D475,669 S * 6/2003 Boyer D12/209

FOREIGN PATENT DOCUMENTS

DE 49904345 1/2001

* cited by examiner

Primary Examiner—Stacia Cadmus

(74) *Attorney, Agent, or Firm*—Crowell & Moring LLP

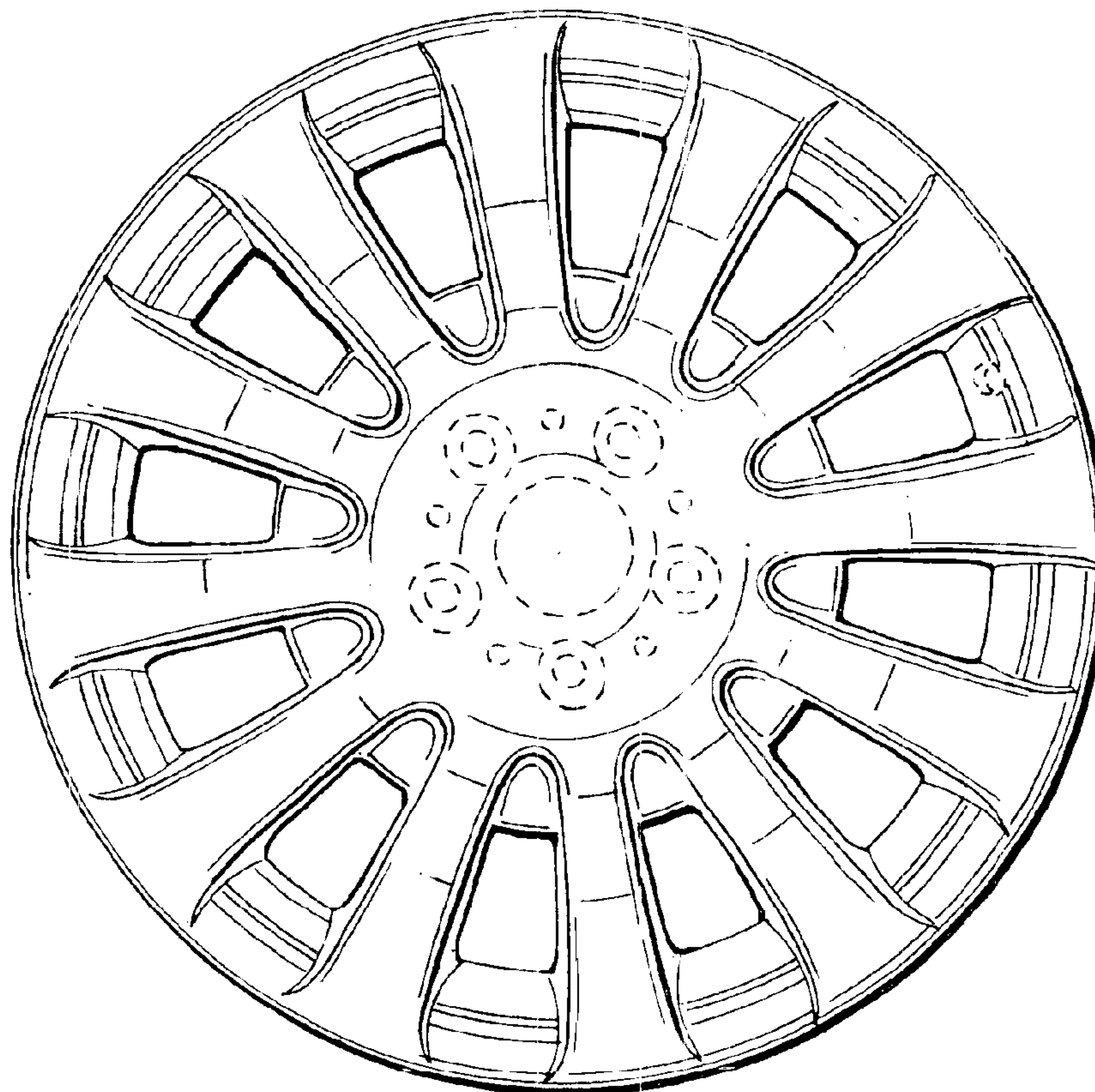
(57) **CLAIM**

The ornamental design for a front face of a vehicle wheel,
as shown and described.

DESCRIPTION

FIG. 1 is a front view of a front face of a vehicle wheel
according to my novel design; and,
FIG. 2 is a perspective view of the front face of a vehicle
wheel according to my novel design.

1 Claim, 1 Drawing Sheet



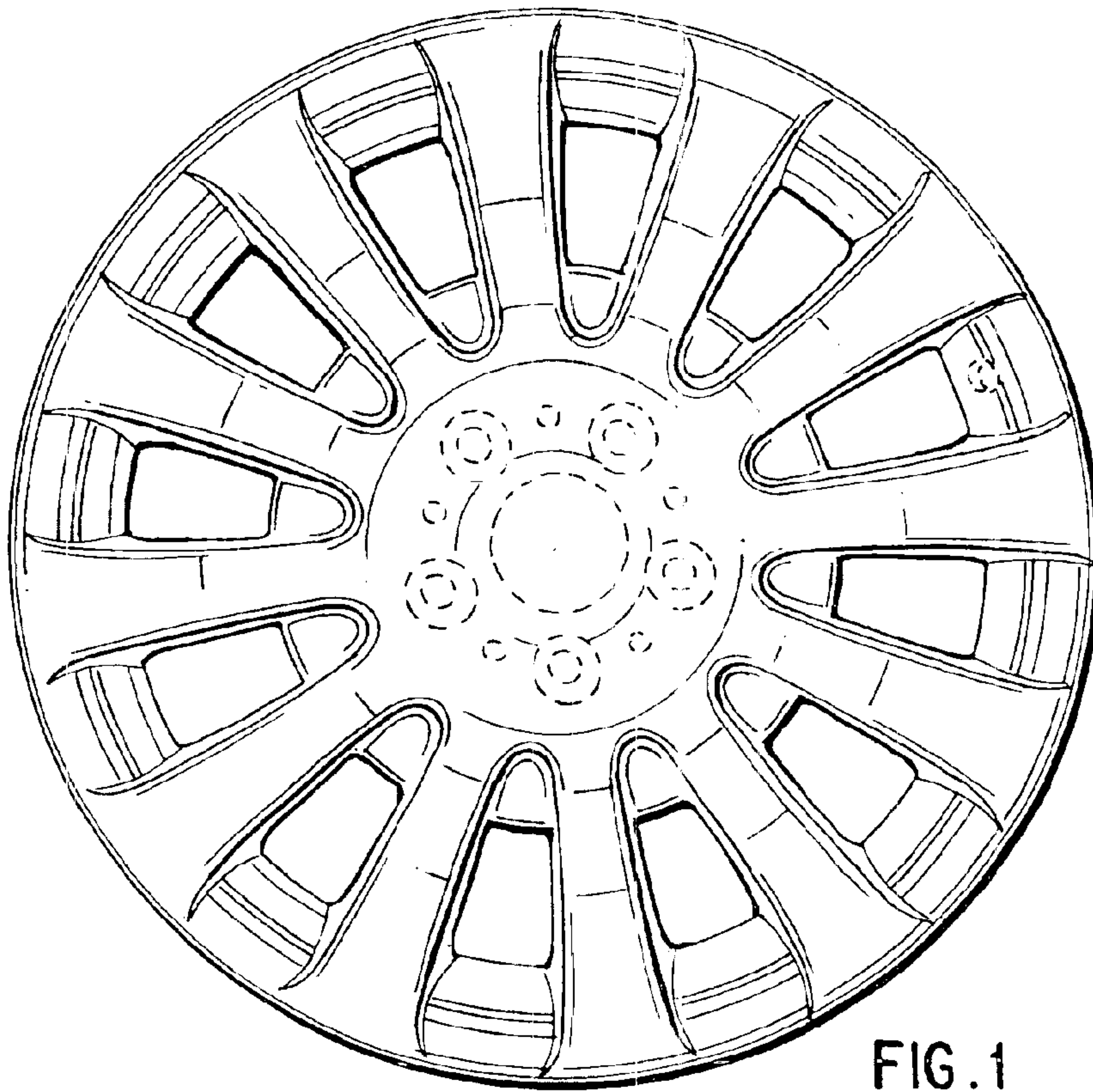


FIG. 1

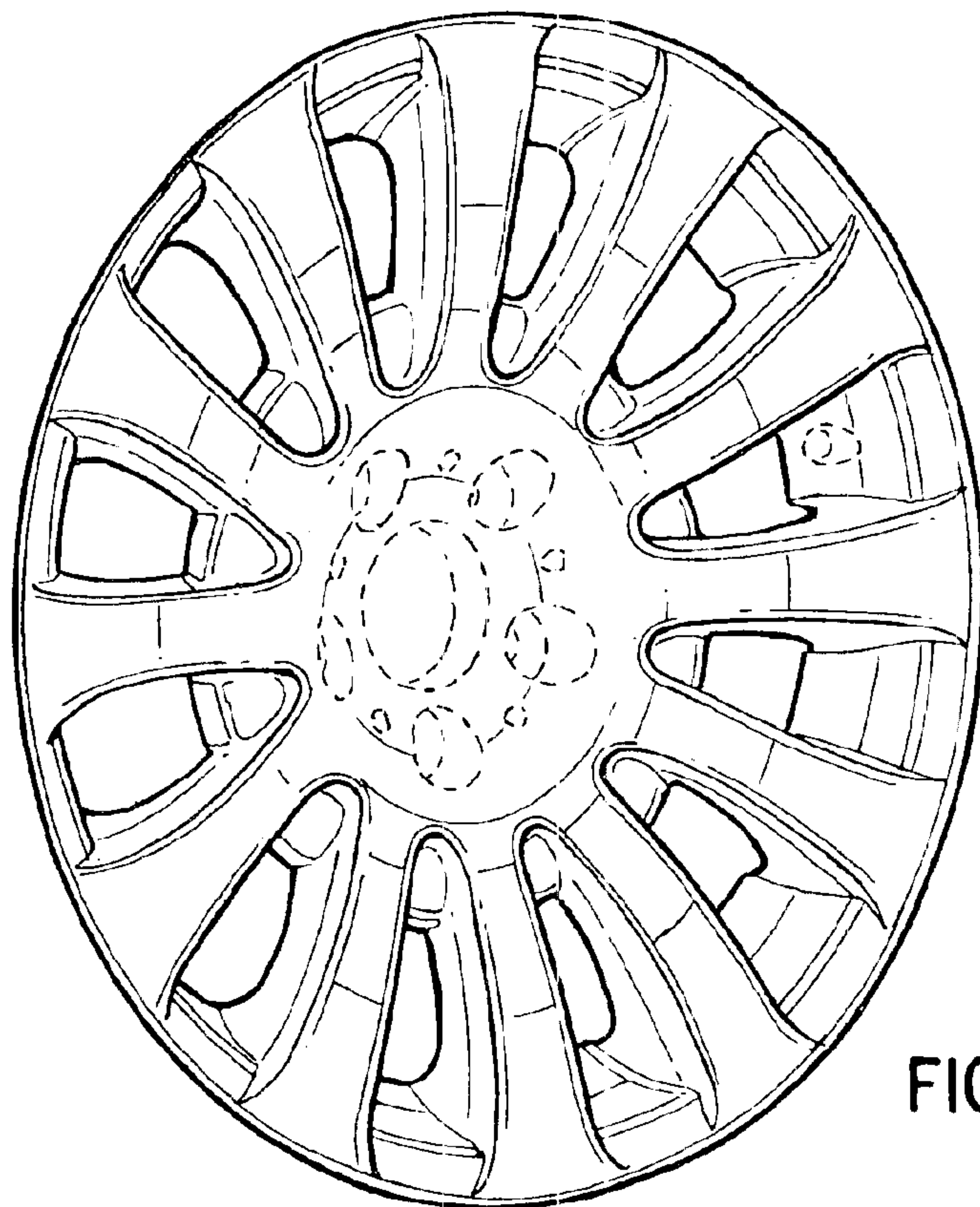


FIG. 2