

US00D502677S

(12) **United States Design Patent**
Baum

(10) **Patent No.:** **US D502,677 S**
(45) **Date of Patent:** **** Mar. 8, 2005**

(54) **FRONT FACE OF A VEHICLE WHEEL**

(75) **Inventor:** **Stephan Baum, Olching (DE)**

(73) **Assignee:** **Bayerische Motoren Werke
Aktiengesellschaft, Munich (DE)**

(**) **Term:** **14 Years**

(21) **Appl. No.:** **29/200,242**

(22) **Filed:** **Feb. 26, 2004**

(30) **Foreign Application Priority Data**

Aug. 27, 2003 (DE) 403 05 622

(51) **LOC (7) Cl.** **12-16**

(52) **U.S. Cl.** **D12/209**

(58) **Field of Search** D12/204-213;
301/37.101, 64.101, 65

(56) **References Cited**

U.S. PATENT DOCUMENTS

D380,431 S * 7/1997 Brown et al. D12/209
D394,838 S * 6/1998 Suprihanto D12/211

D398,278 S * 9/1998 Brown et al. D12/211
D401,206 S * 11/1998 Ivanova D12/209
D410,426 S * 6/1999 Frizzi D12/211
D438,162 S * 2/2001 Syring D12/211
D446,762 S * 8/2001 Hussaini et al. D12/209
D451,877 S * 12/2001 Lee D12/211
D470,094 S * 2/2003 van Hooydonk D12/211

* cited by examiner

Primary Examiner—Stacia Cadmus

(74) *Attorney, Agent, or Firm*—Crowell & Moring LLP

(57) **CLAIM**

The ornamental design for a front face of a vehicle wheel, as shown and described.

DESCRIPTION

FIG. 1 is a front view of a front face of a vehicle wheel according to my novel design; and, FIG. 2 is a perspective view of the front face of a vehicle wheel according to my novel design. The broken lines are for illustrative purposes only and form no part of the claimed design.

1 Claim, 1 Drawing Sheet



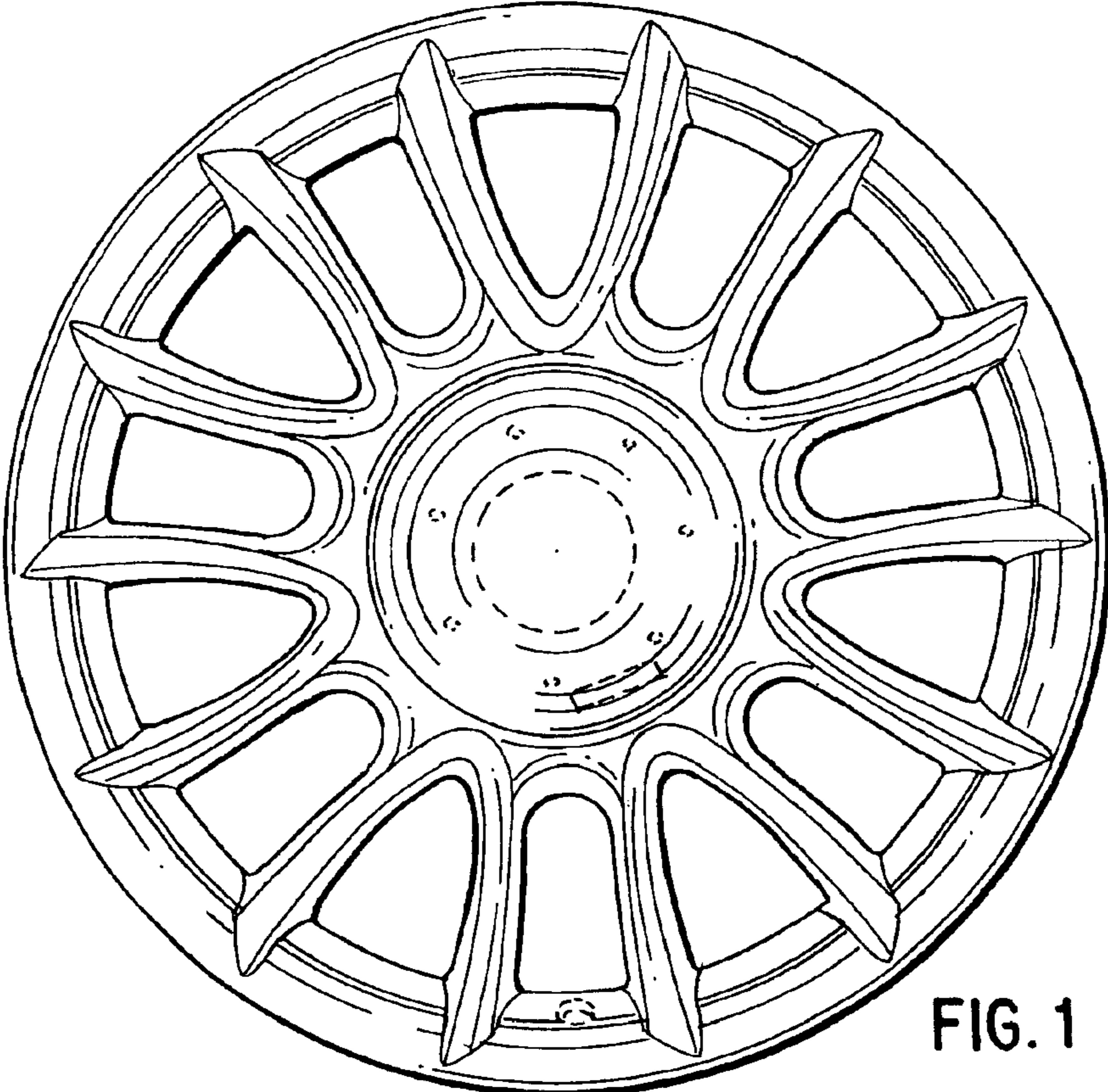


FIG. 1

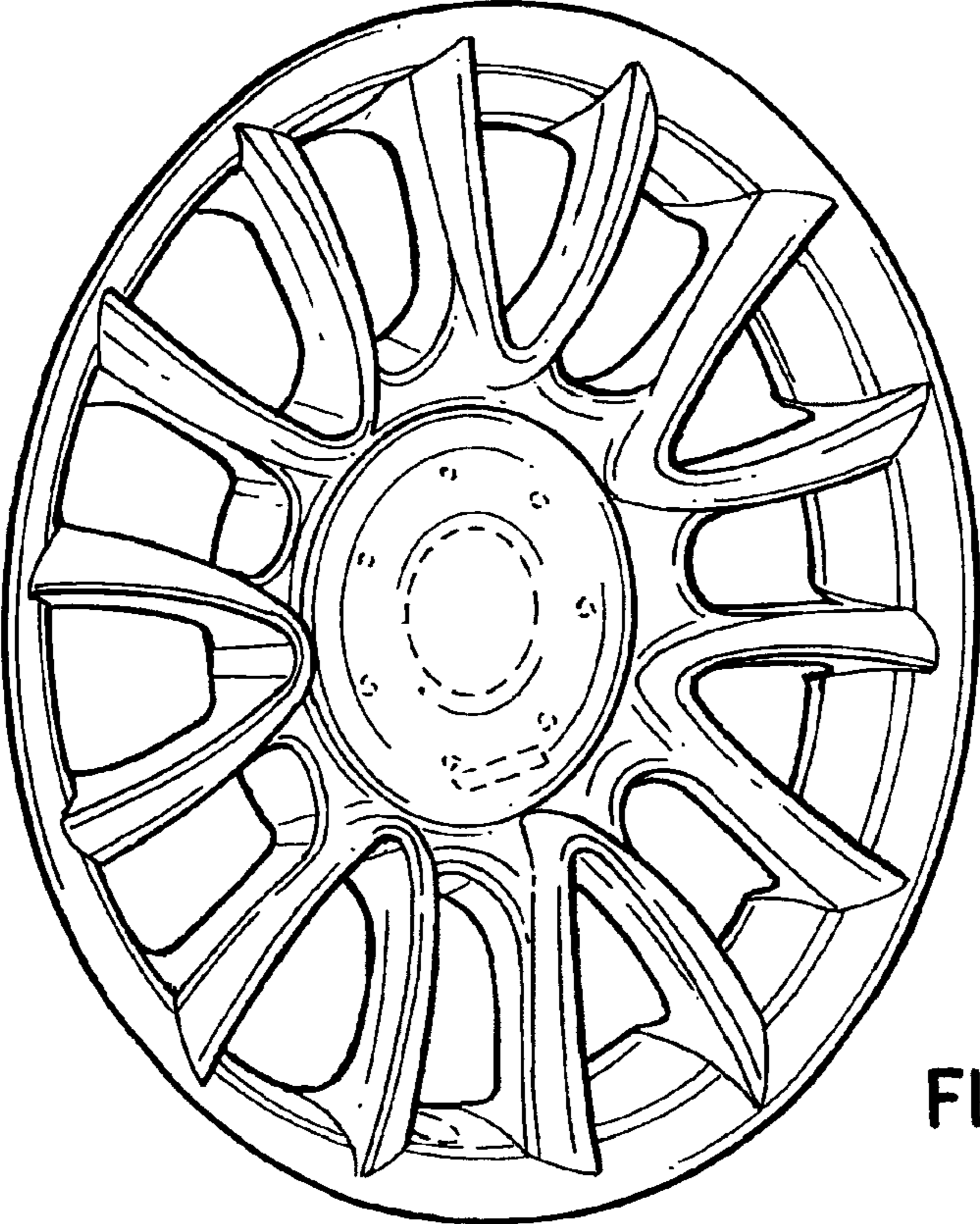


FIG. 2