



US00D502673S

(12) **United States Design Patent**
Schlick

(10) **Patent No.:** **US D502,673 S**

(45) **Date of Patent:** **** Mar. 8, 2005**

(54) **CRUISER BICYCLE**

(76) **Inventor:** **John Schlick**, N50 W17285 Greenview Ave., Menomonee Falls, WI (US) 53051

(**) **Term:** **14 Years**

(21) **Appl. No.:** **29/190,113**

(22) **Filed:** **Sep. 15, 2003**

(51) **LOC (7) Cl.** **12-11**

(52) **U.S. Cl.** **D12/111**

(58) **Field of Search** D12/111; 280/274-288, 280/281.1, 288.1-288.3

(56) **References Cited**

U.S. PATENT DOCUMENTS

D299,220 S	*	1/1989	Trusky	D12/111
D385,829 S	*	11/1997	Quick	D12/111
D392,603 S	*	3/1998	Quick	D12/111

* cited by examiner

Primary Examiner—Alan P. Douglas
Assistant Examiner—Linda Brooks

(74) *Attorney, Agent, or Firm*—Ryan Kromholz & Manion, SC

(57) **CLAIM**

The ornamental design for a cruiser bicycle, as shown and described.

DESCRIPTION

FIG. 1 is a front, right side perspective view of a cruiser bicycle.

FIG. 2 is a right, elevation side view of the cruiser bicycle shown in FIG. 1, with a rider, shown in broken line for illustrative purposes only, seated on the bicycle for use.

FIG. 3 is a right, elevation side view of the cruiser bicycle shown in FIG. 1.

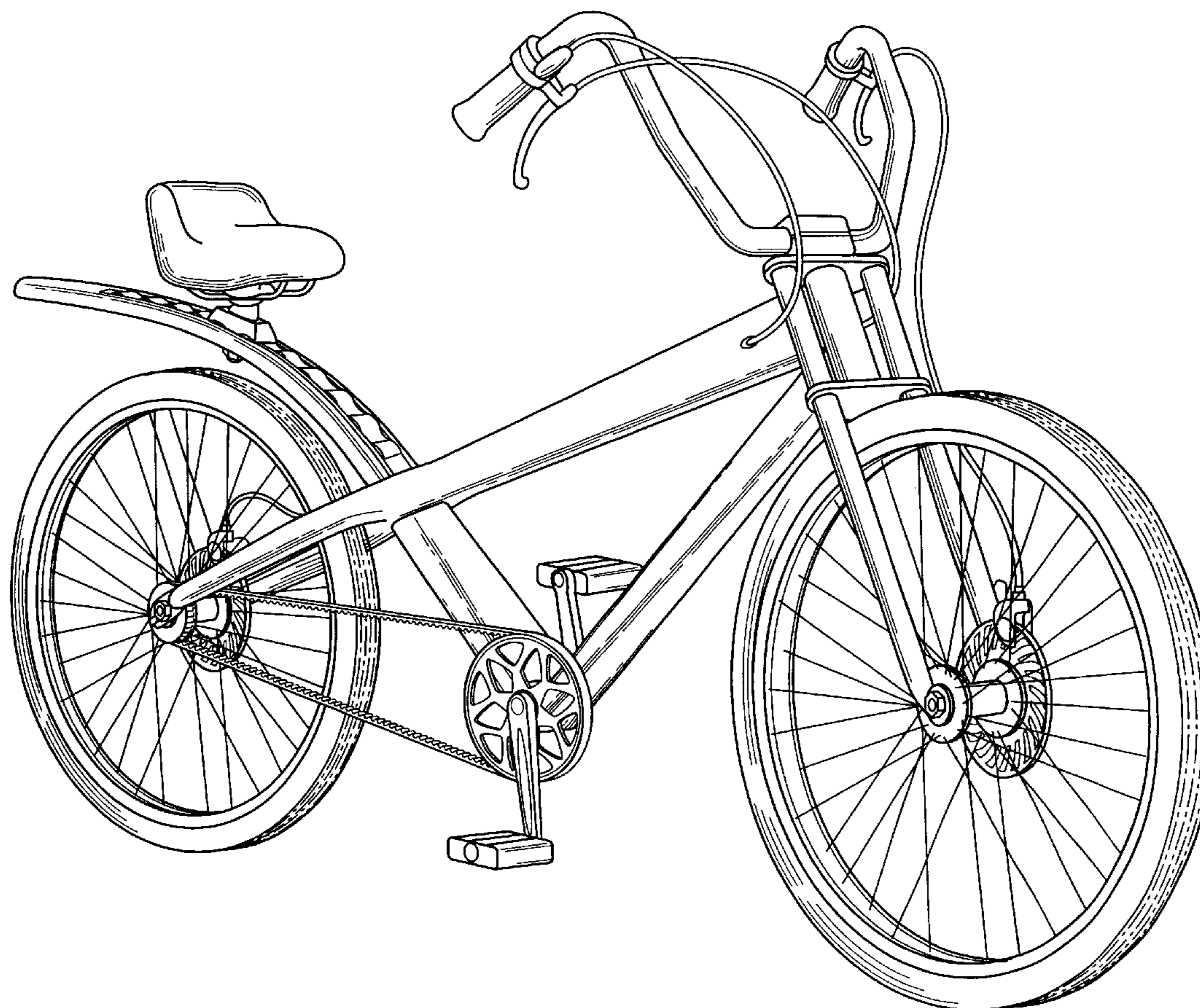
FIG. 4 is a left, elevation side view of the cruiser bicycle shown in FIG. 1.

FIG. 5 is a top, plane view of the cruiser bicycle shown in FIG. 1.

FIG. 6 is a front, elevation view of the cruiser bicycle shown in FIG. 1; and,

FIG. 7 is a rear, elevation view of the cruiser bicycle shown in FIG. 1.

1 Claim, 6 Drawing Sheets



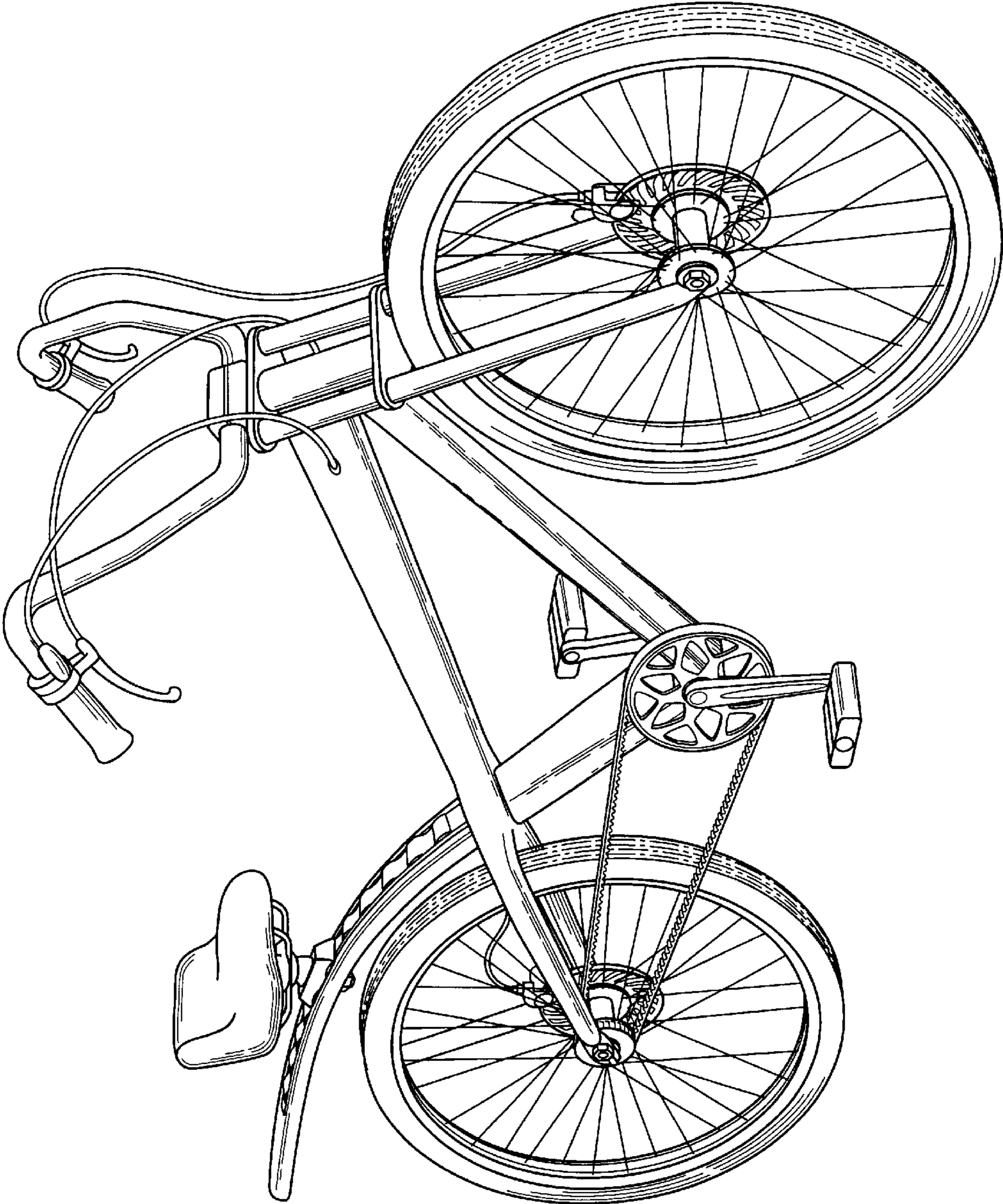


Fig. 1

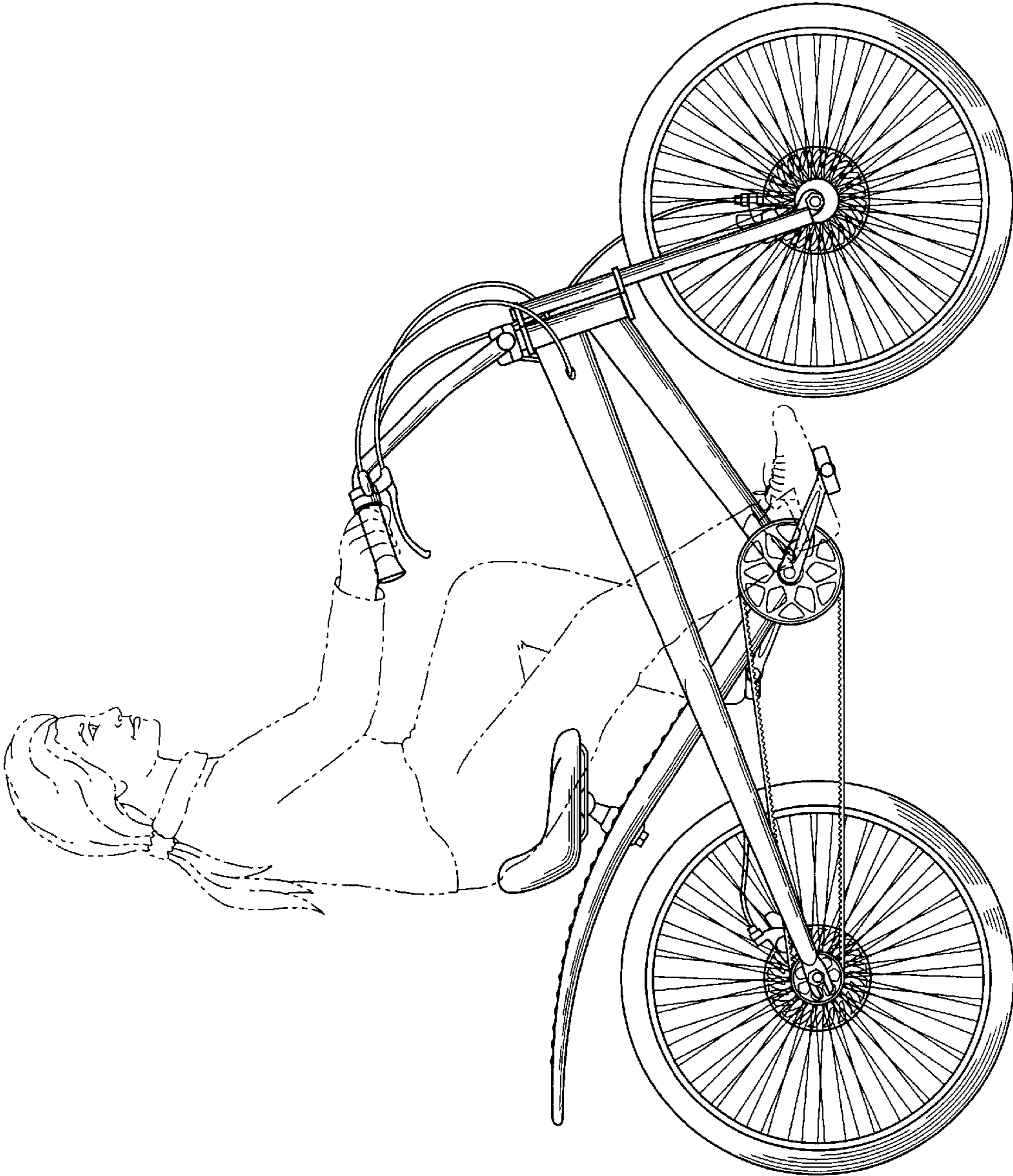


Fig. 2

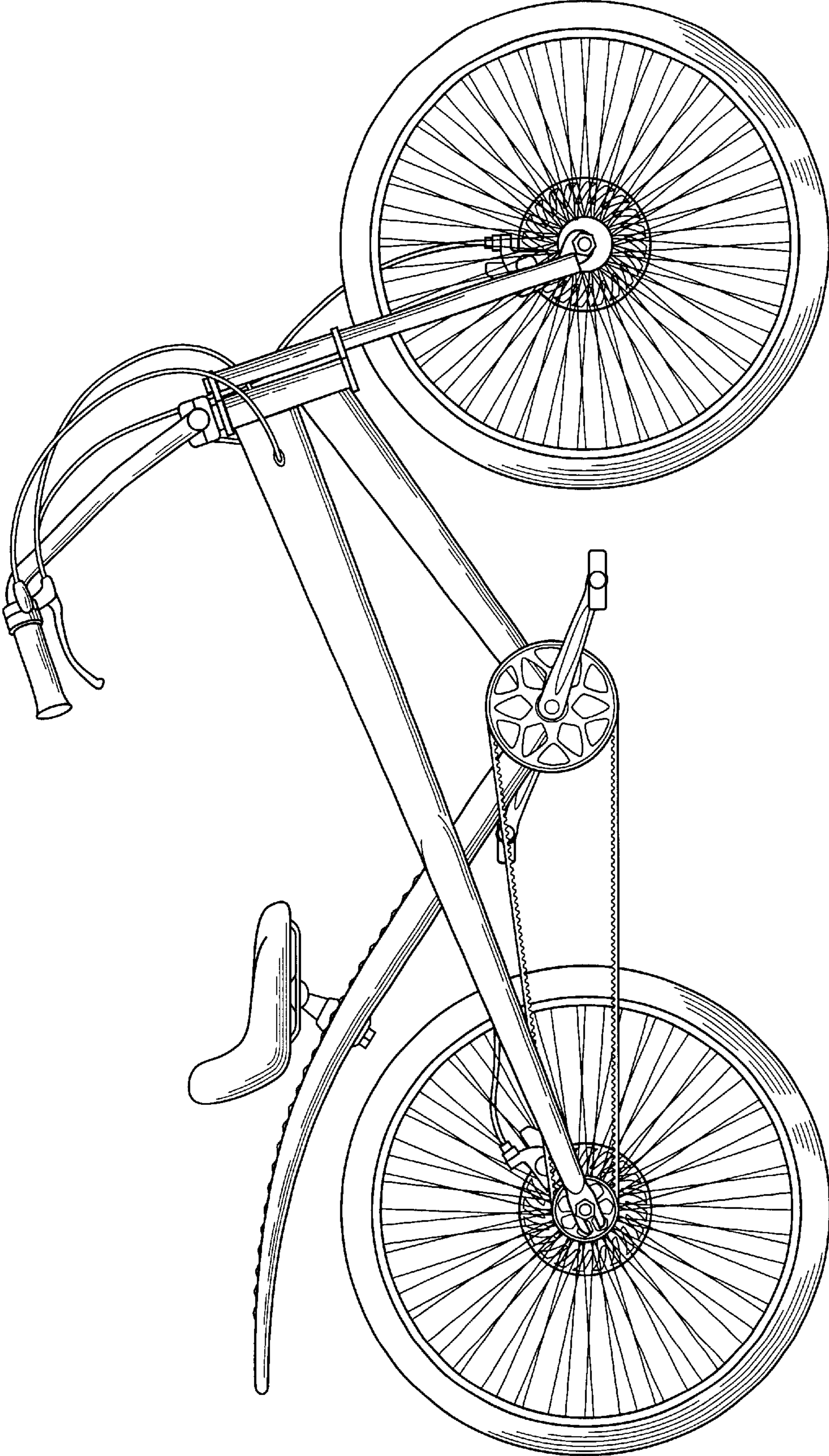


Fig. 3

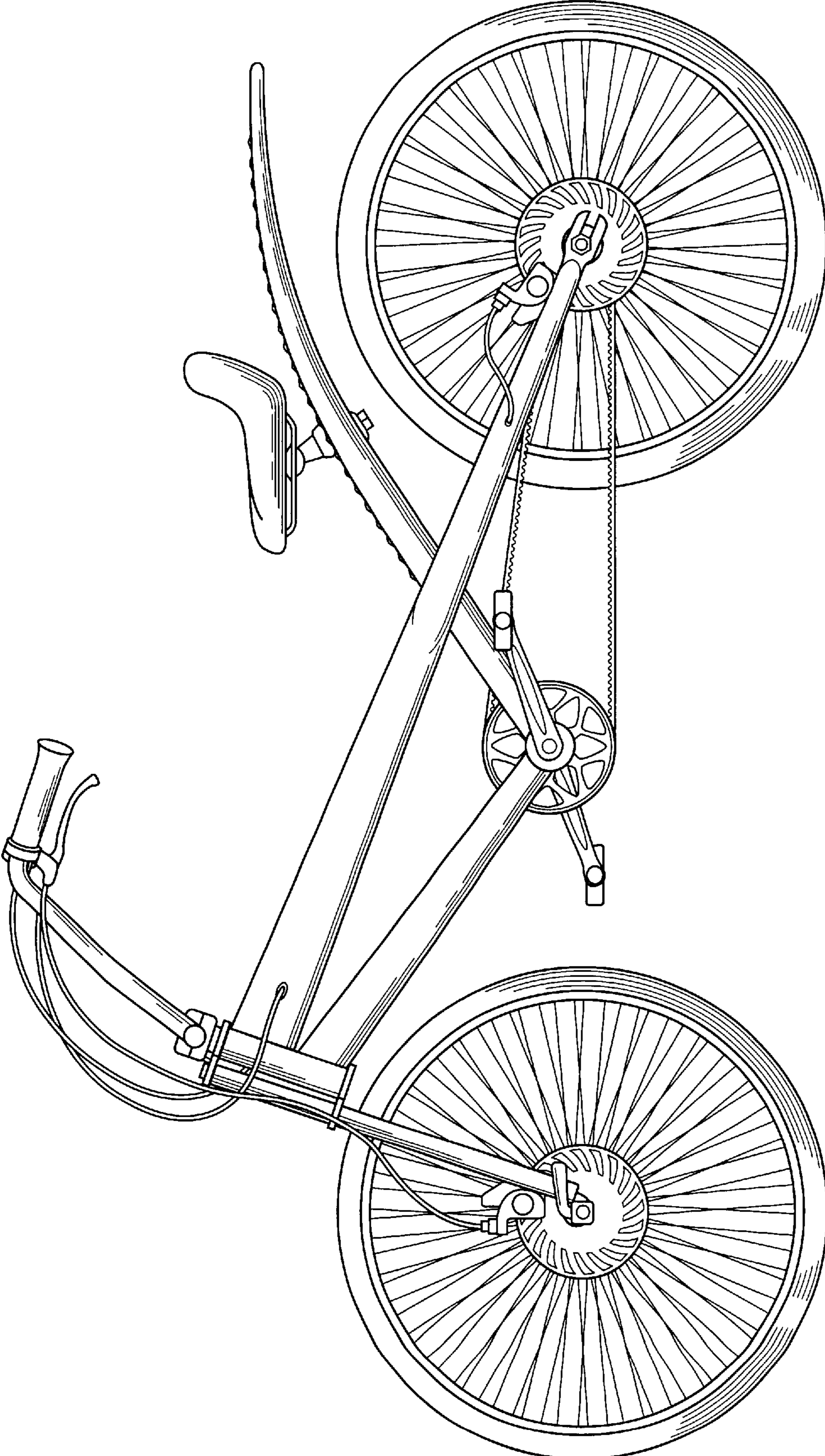


Fig. 4

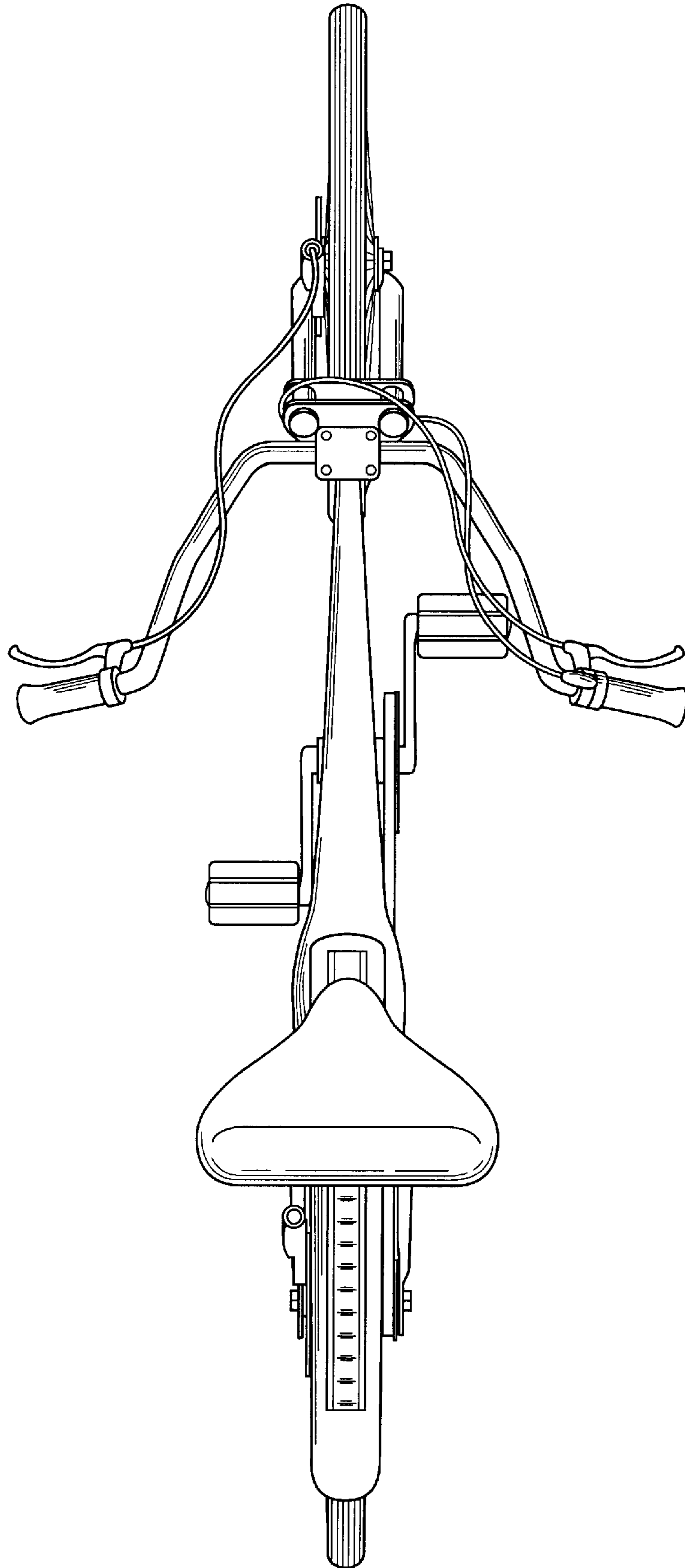


Fig. 5

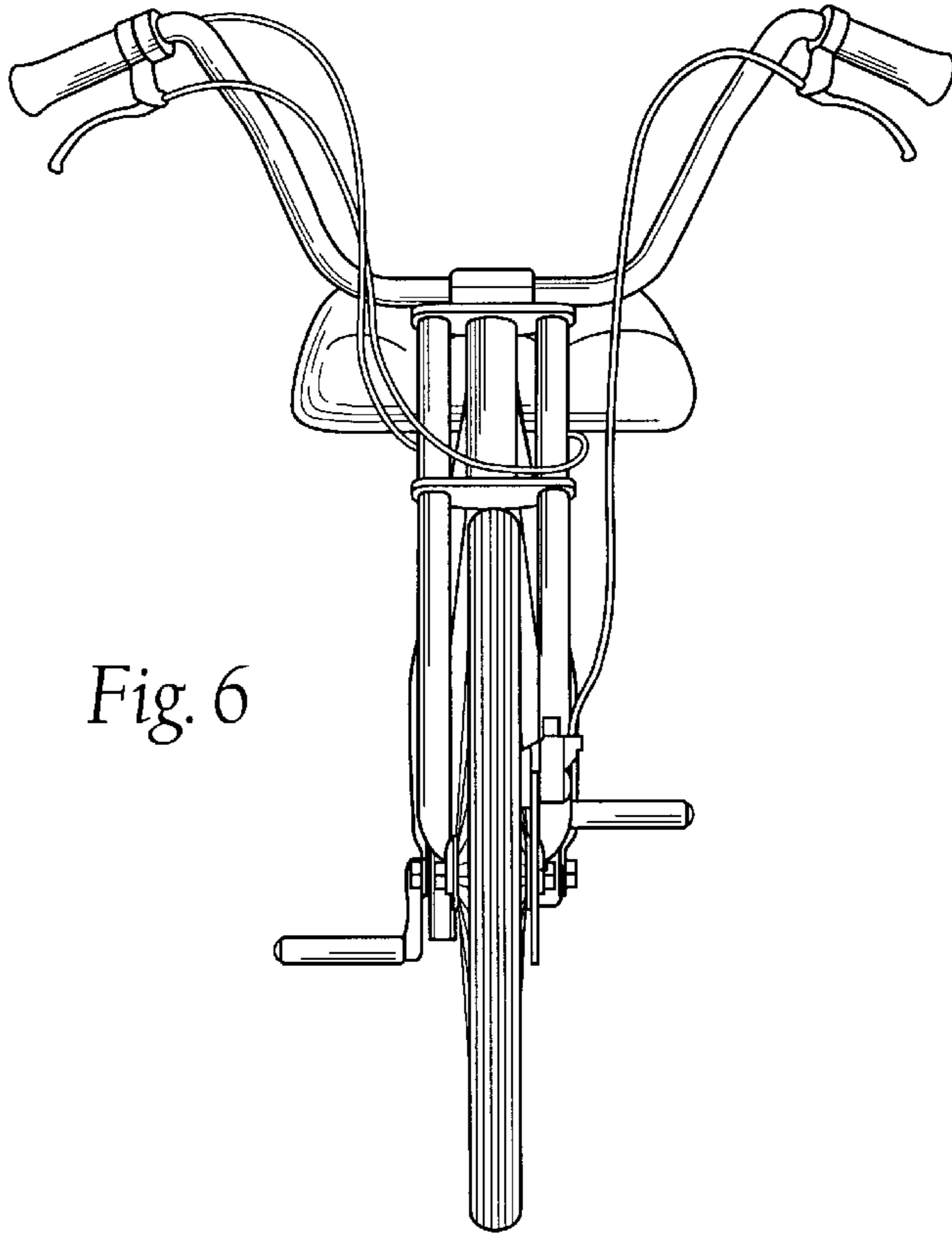


Fig. 6

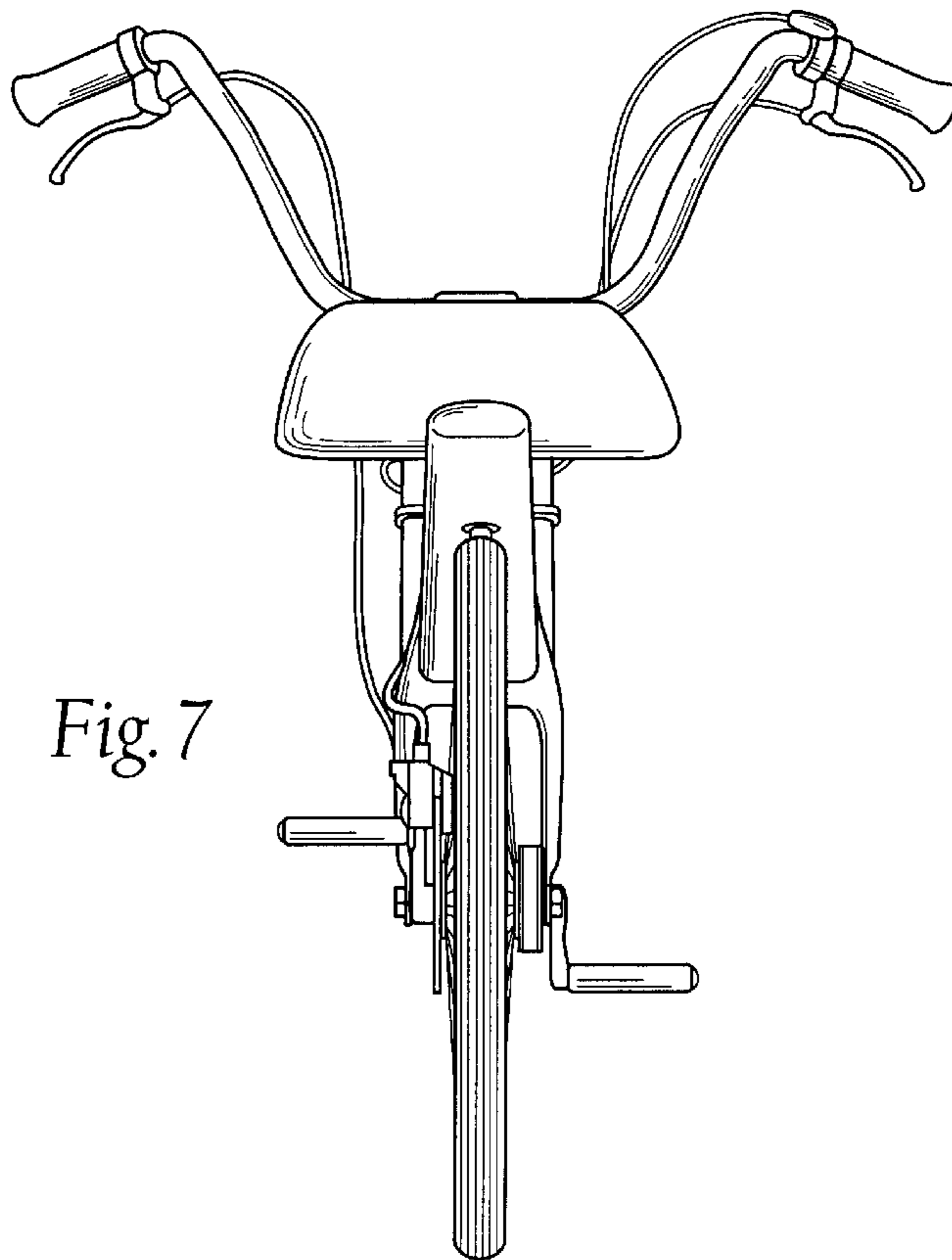


Fig. 7