



US00D502669S

(12) **United States Design Patent**
Smith et al.

(10) **Patent No.: US D502,669 S**

(45) **Date of Patent: ** Mar. 8, 2005**

(54) **COMBINATION PLANTING POT AND A
MULTI-COMPARTMENT TRAY**

(76) Inventors: **Thomas J. Smith**, 1015 Indian Trails Rd., Careton, MI (US) 48117; **Henry L. Huntington**, 7316 Pleasant St., Loudon, NH (US) 03307

(**) Term: **14 Years**

(21) Appl. No.: **29/180,533**

(22) Filed: **Apr. 25, 2003**

(51) **LOC (7) Cl. 11-02**

(52) **U.S. Cl. D11/155**

(58) **Field of Search** D11/143, 144,
D11/145, 148, 152-154; 47/79, 65.5, 66.1,
66.6, 67-69, 85, 86; D7/553.4, 553.5; 206/423;
248/27.8

(56) **References Cited**

U.S. PATENT DOCUMENTS

| | | | |
|-----------------|---------|-----------------|---------|
| 3,866,351 A | 2/1975 | Cobia | 47/38.1 |
| D235,909 S * | 7/1975 | Insalaco | D11/152 |
| 3,896,587 A * | 7/1975 | Insalaco | 47/65.5 |
| D243,112 S | 1/1977 | Gross | D11/152 |
| 4,173,097 A | 11/1979 | Staby | 47/66 |
| D255,410 S * | 6/1980 | Petruzzi et al. | D11/152 |
| 4,887,388 A * | 12/1989 | Waltel, Jr. | 47/79 |
| 4,962,855 A * | 10/1990 | Holmquist | 206/423 |
| 5,022,183 A | 6/1991 | Bohlmann | 47/86 |
| D322,707 S * | 12/1991 | Iverson | D11/156 |
| D323,415 S * | 1/1992 | Iverson | D11/156 |
| D323,416 S * | 1/1992 | Iverson | D11/156 |
| 5,327,679 A | 7/1994 | Hawthorne | 47/73 |
| 5,481,825 A | 1/1996 | Aoyama | 47/18 |
| 5,644,867 A | 7/1997 | Gay | 47/71 |
| 6,085,460 A | 7/2000 | Jackson | 47/65.5 |
| 6,199,319 B1 | 3/2001 | Skinner | 47/66.6 |
| 6,339,899 B1 | 1/2002 | Lehmann | 47/65.5 |
| 2002/0066227 A1 | 6/2002 | Wood-Phillips | 47/66.5 |

FOREIGN PATENT DOCUMENTS

| | | |
|----|---------|--------|
| FR | 2649582 | 1/1991 |
| WO | 9319446 | 9/1993 |

OTHER PUBLICATIONS

Dillen Products, Co. Ltd., Middlefield, Ohio 44062, 4 ½-8-4 ½ 1ST Tray and 4 ½ Geranium Pot (2 pages photos), undated.

Landmark Plastic Corporation, Akron, Ohio, 44306, One Quart Transport Tray, 6 count (X-QTTP6AB-N) (1 page), undated.

* cited by examiner

Primary Examiner—Mimosa De

(74) *Attorney, Agent, or Firm*—Wolff & Samson PC

(57) **CLAIM**

What is claimed is the ornamental design for a combination planting pot and a multi-compartment tray, as shown and described.

DESCRIPTION

FIG. 1 is a perspective view of the planting pot of the combination planting pot and multiple compartment tray of the present invention, the planting pot being shown separately for ease of illustration;

FIG. 2 is a side view of the planting pot shown in FIG. 1, the other sides being identical thereto;

FIG. 3 is a top view of the planting pot shown in FIG. 1;

FIG. 4 is a bottom view of the planting pot shown in FIG. 1;

FIG. 5 is a perspective view of multi-compartment tray of the combination planting pot and multi-compartment tray of the present invention, the tray being shown separately for ease of illustration;

FIG. 6 is a reduced front view of the multi-compartment tray shown in FIG. 5;

FIG. 7 is a reduced side view of the multi-compartment tray shown in FIG. 5;

FIG. 8 is a reduced top view of the multi-compartment tray shown in FIG. 5;

FIG. 9 is a reduced bottom view of the multi-compartment tray shown in FIG. 5; and,

FIG. 10 is a partial perspective view of the combination planting pot and the multi-compartment tray of the present invention.

1 Claim, 6 Drawing Sheets

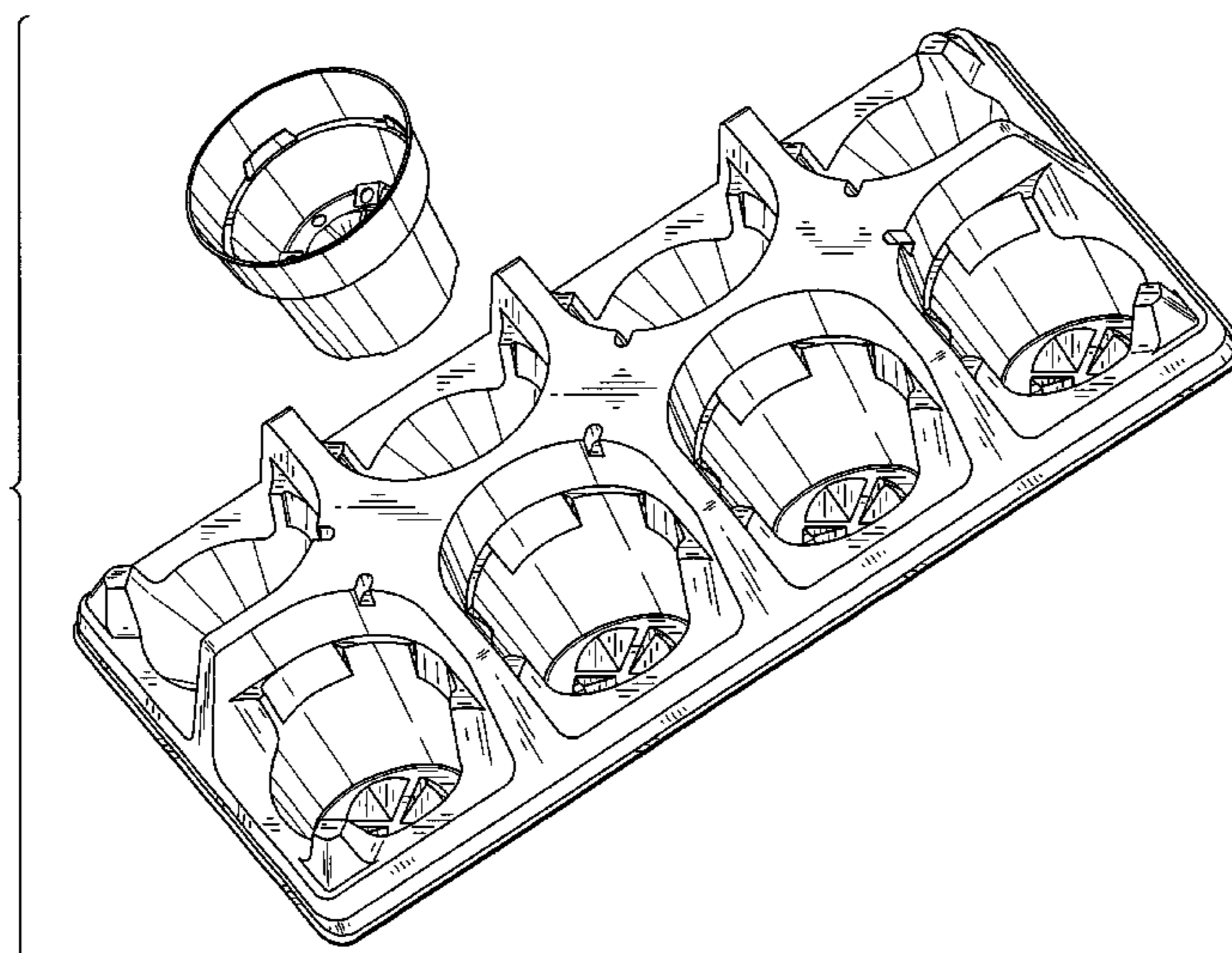


FIG. 1

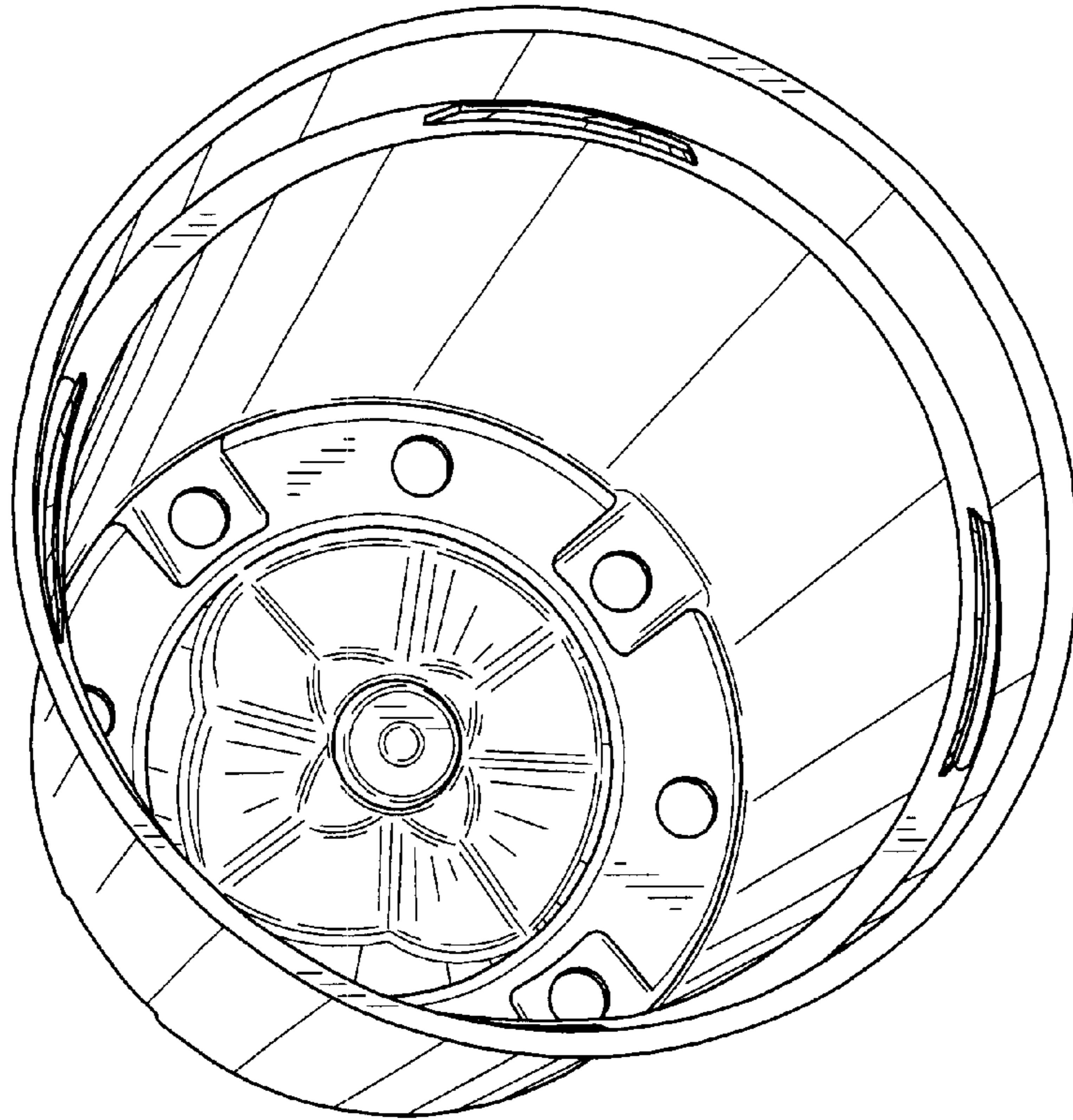


FIG. 2

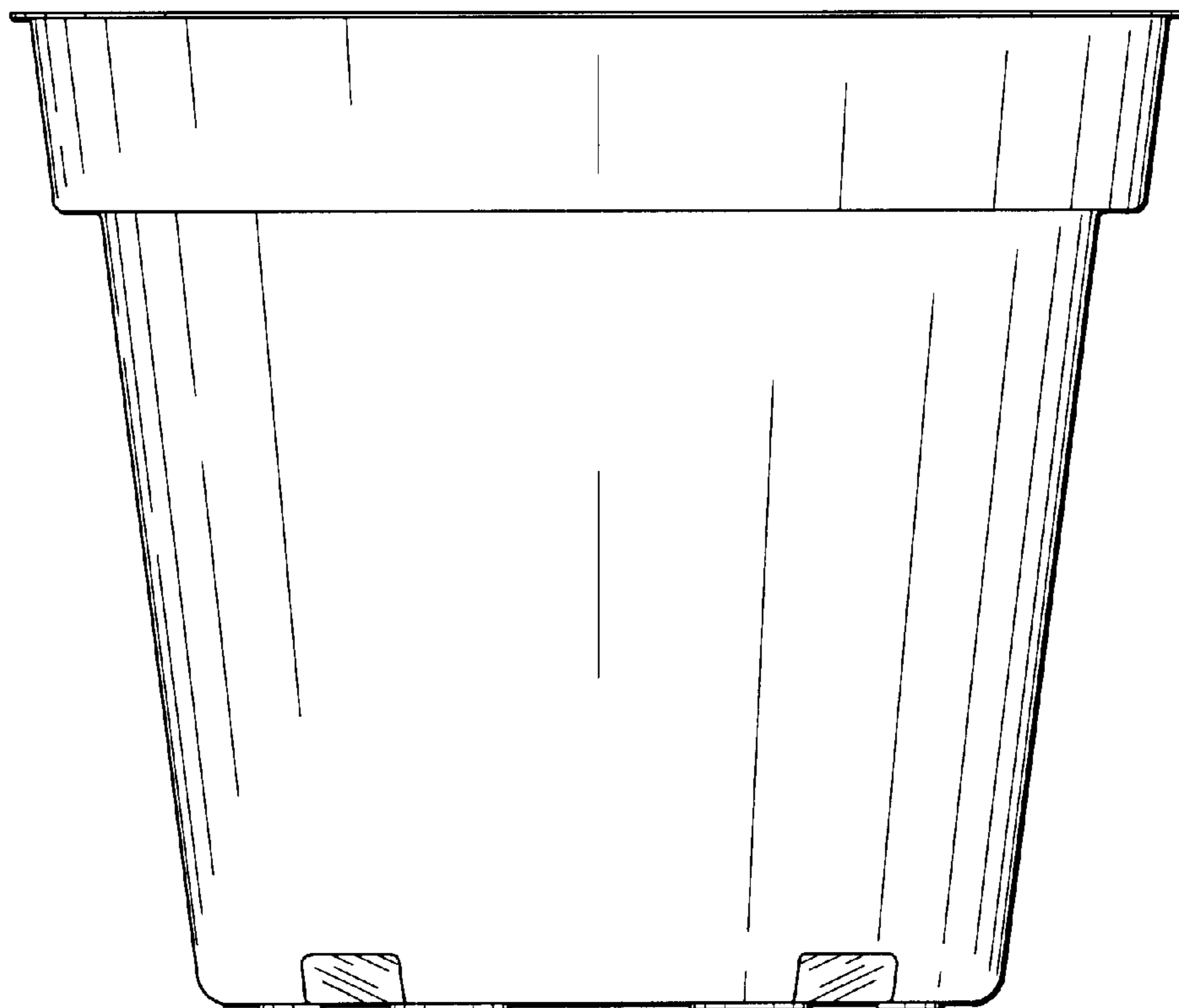


FIG. 3

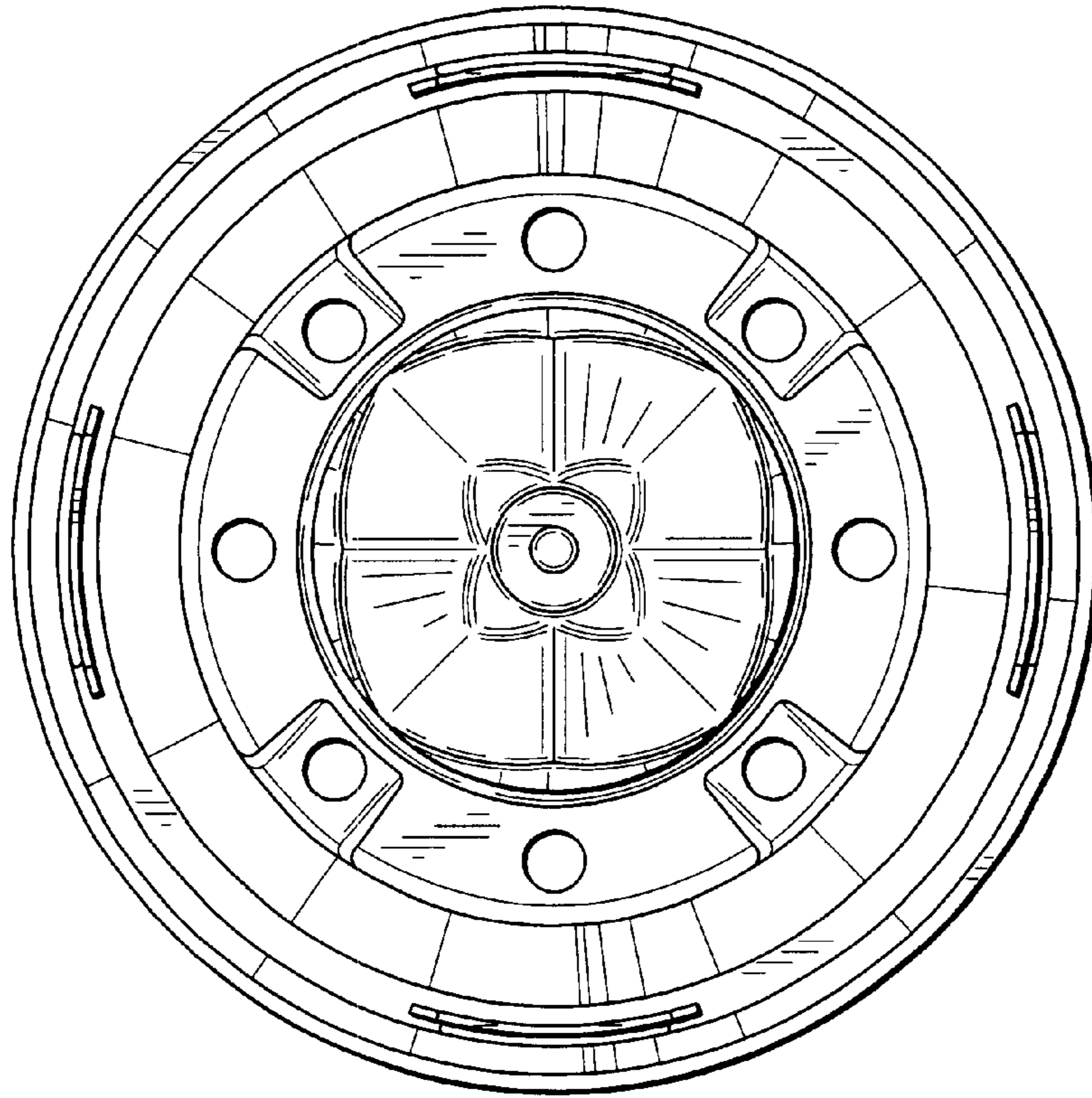


FIG. 4

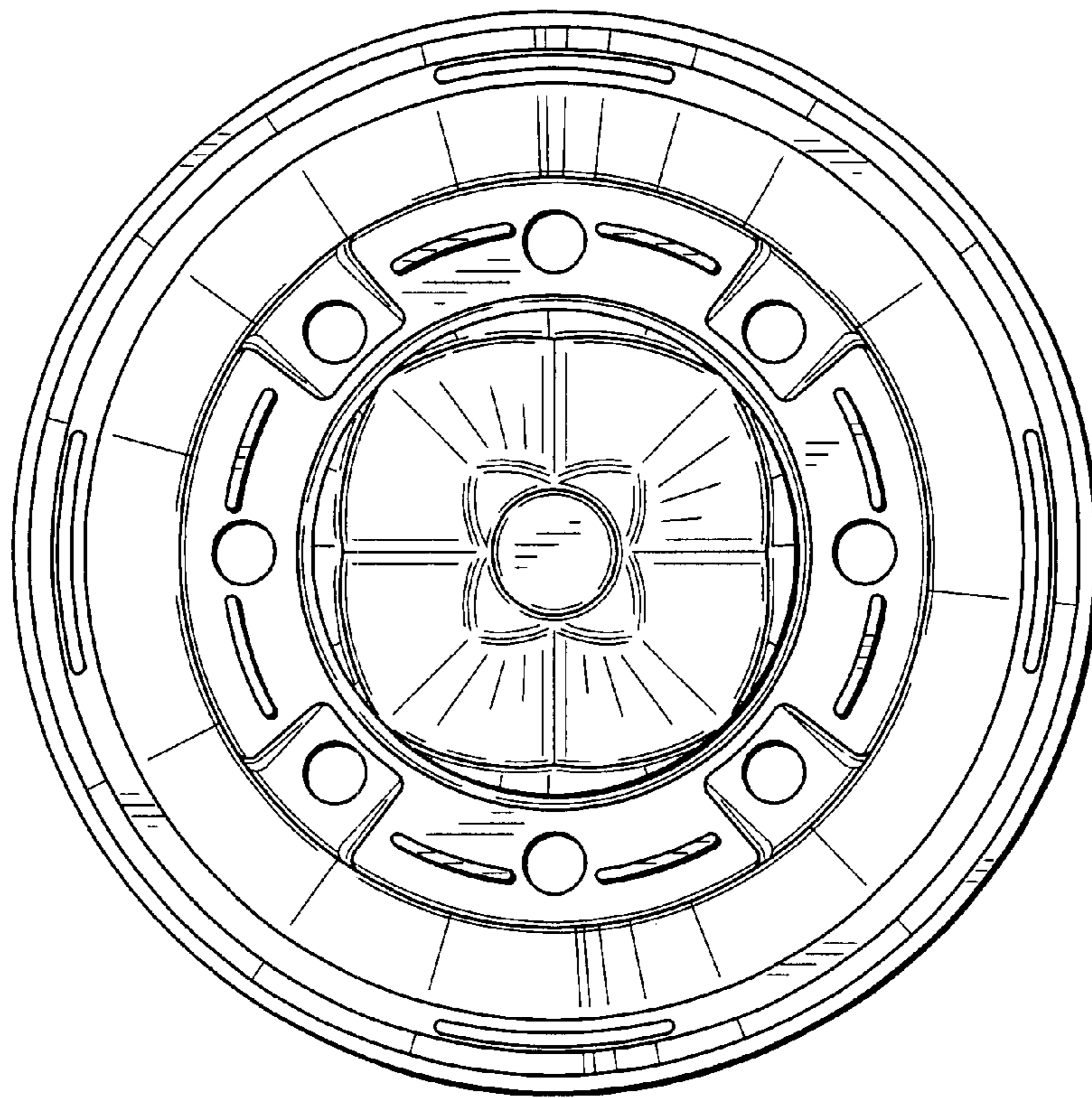


FIG. 5

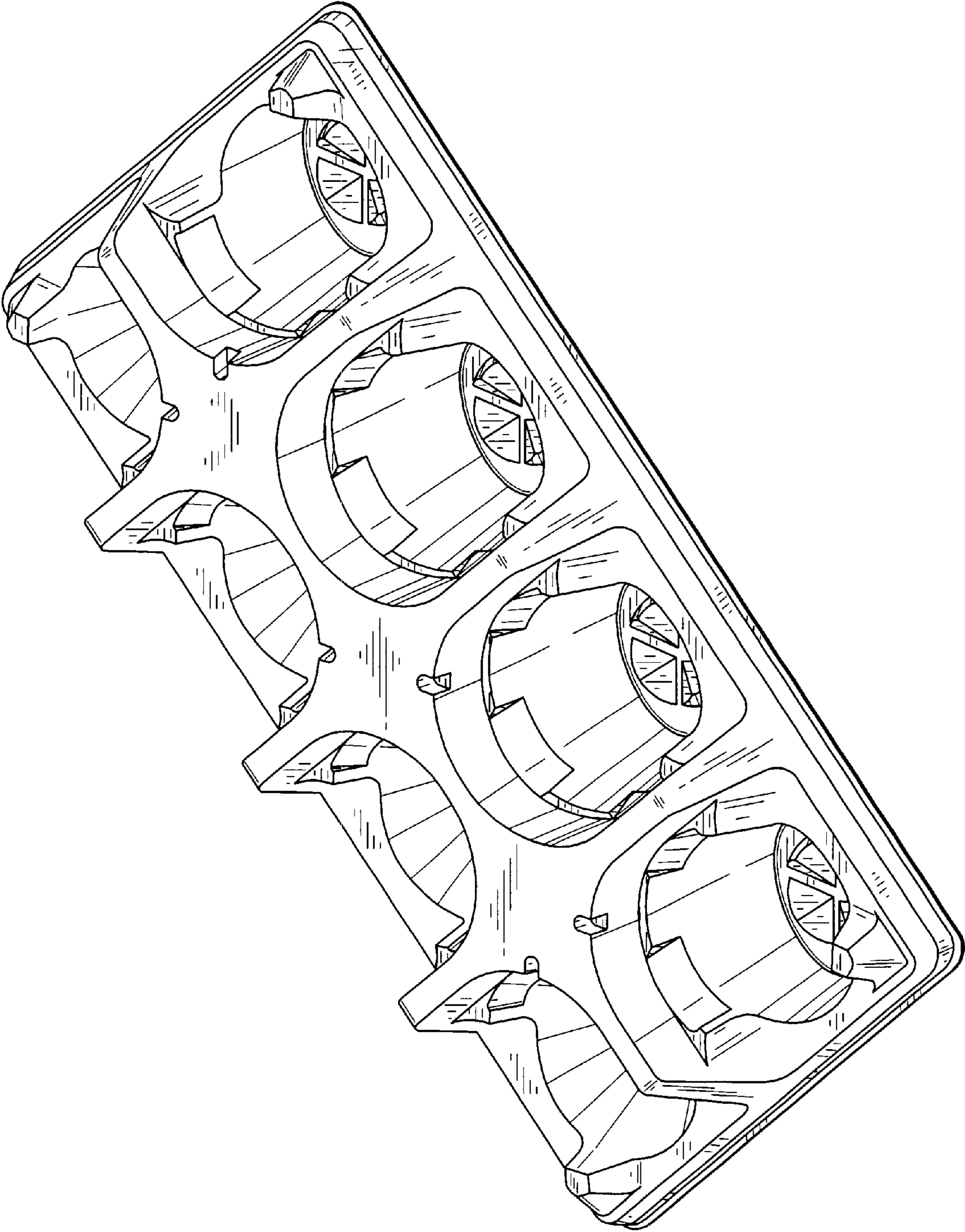


FIG. 6

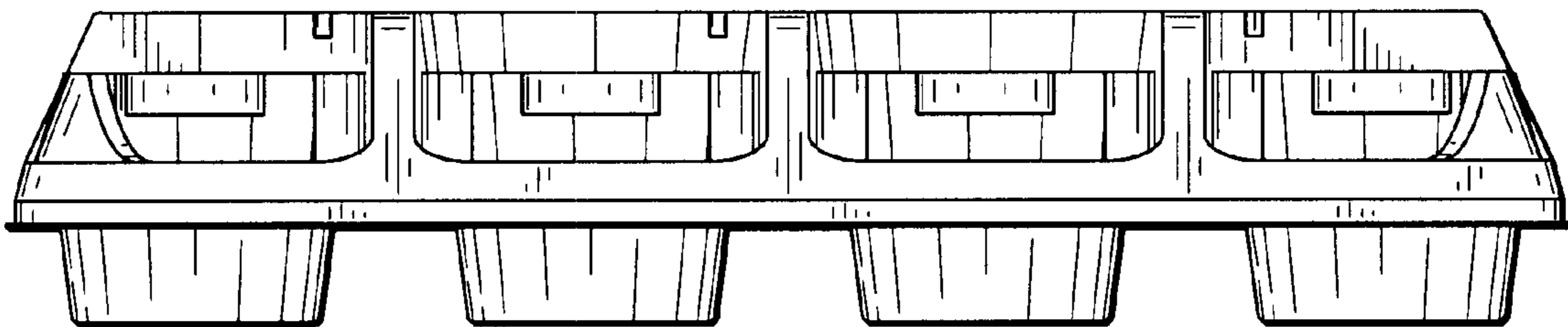


FIG. 7

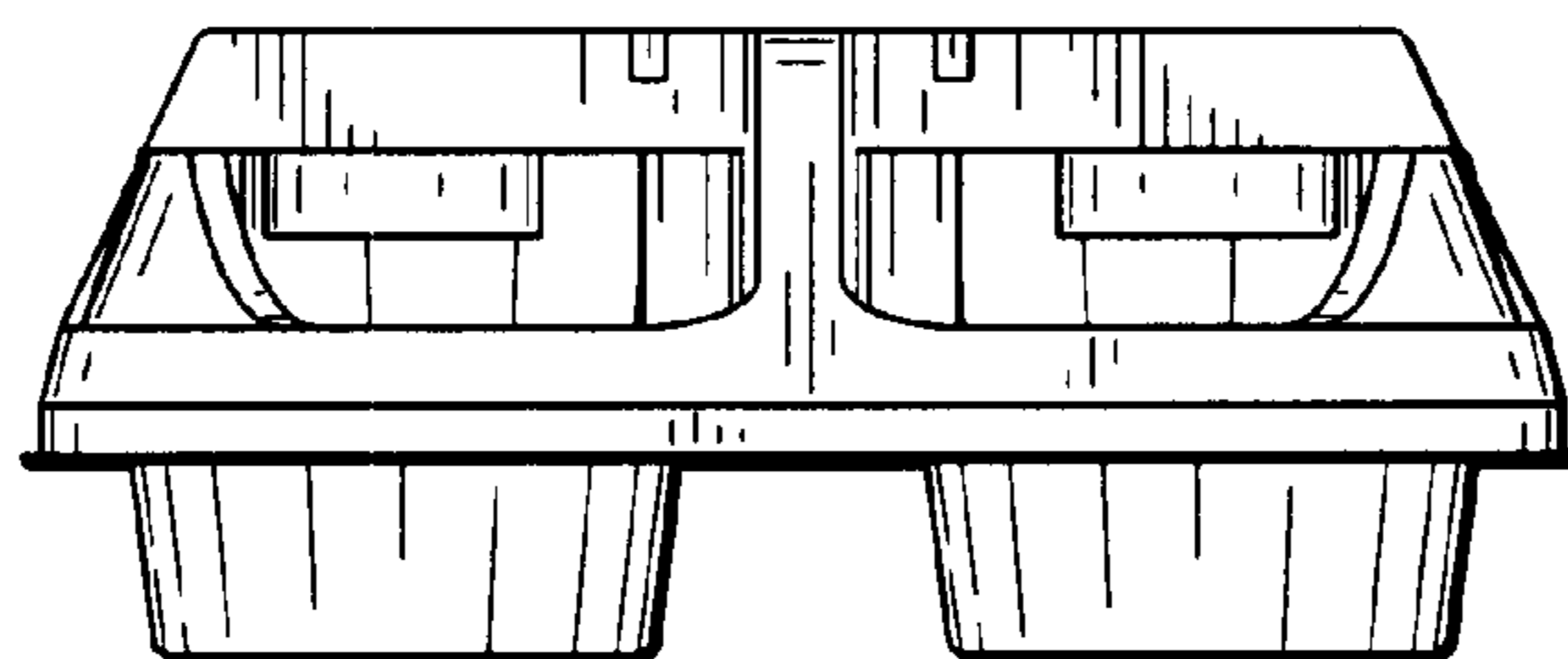


FIG. 8

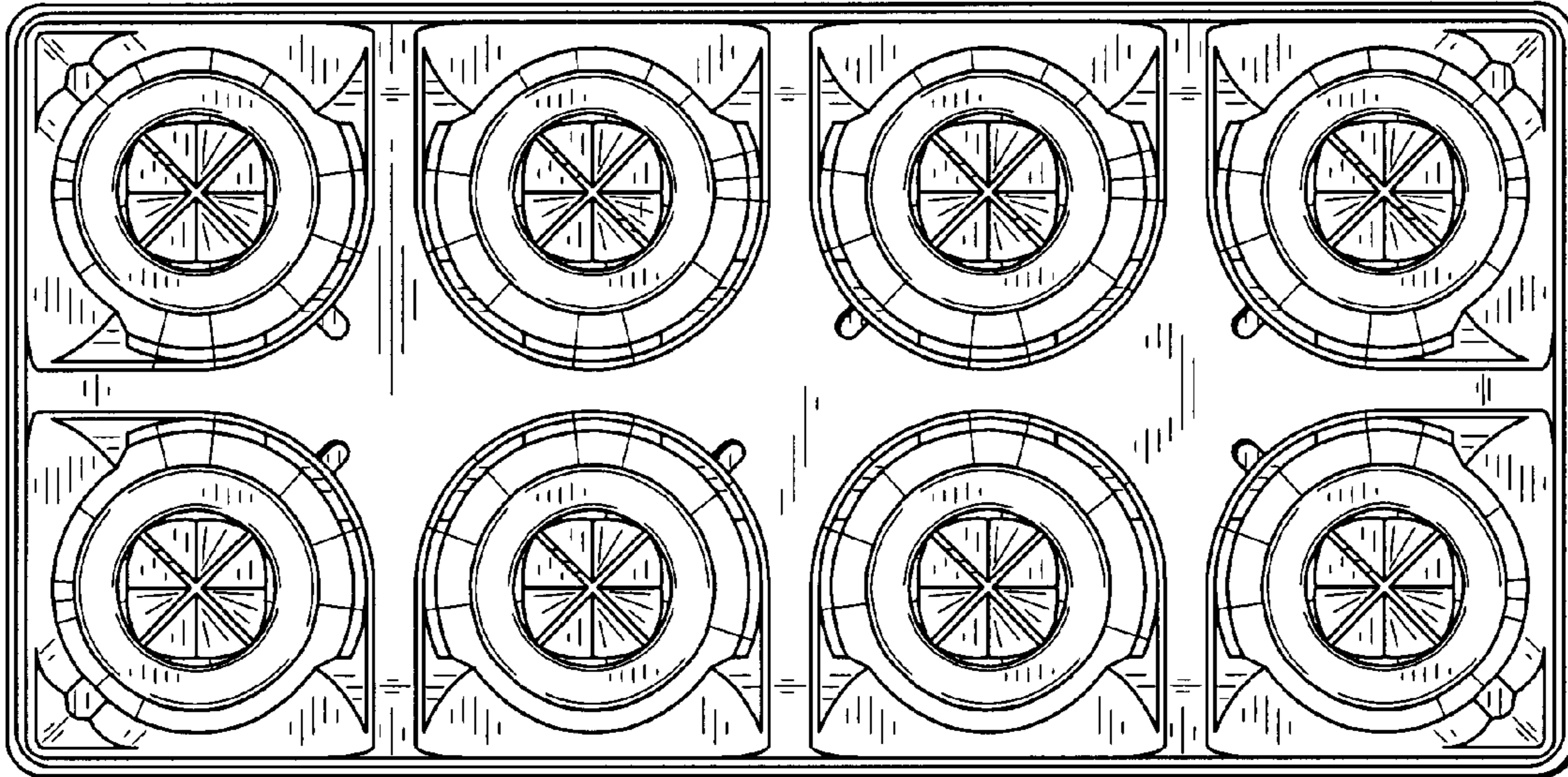


FIG. 9

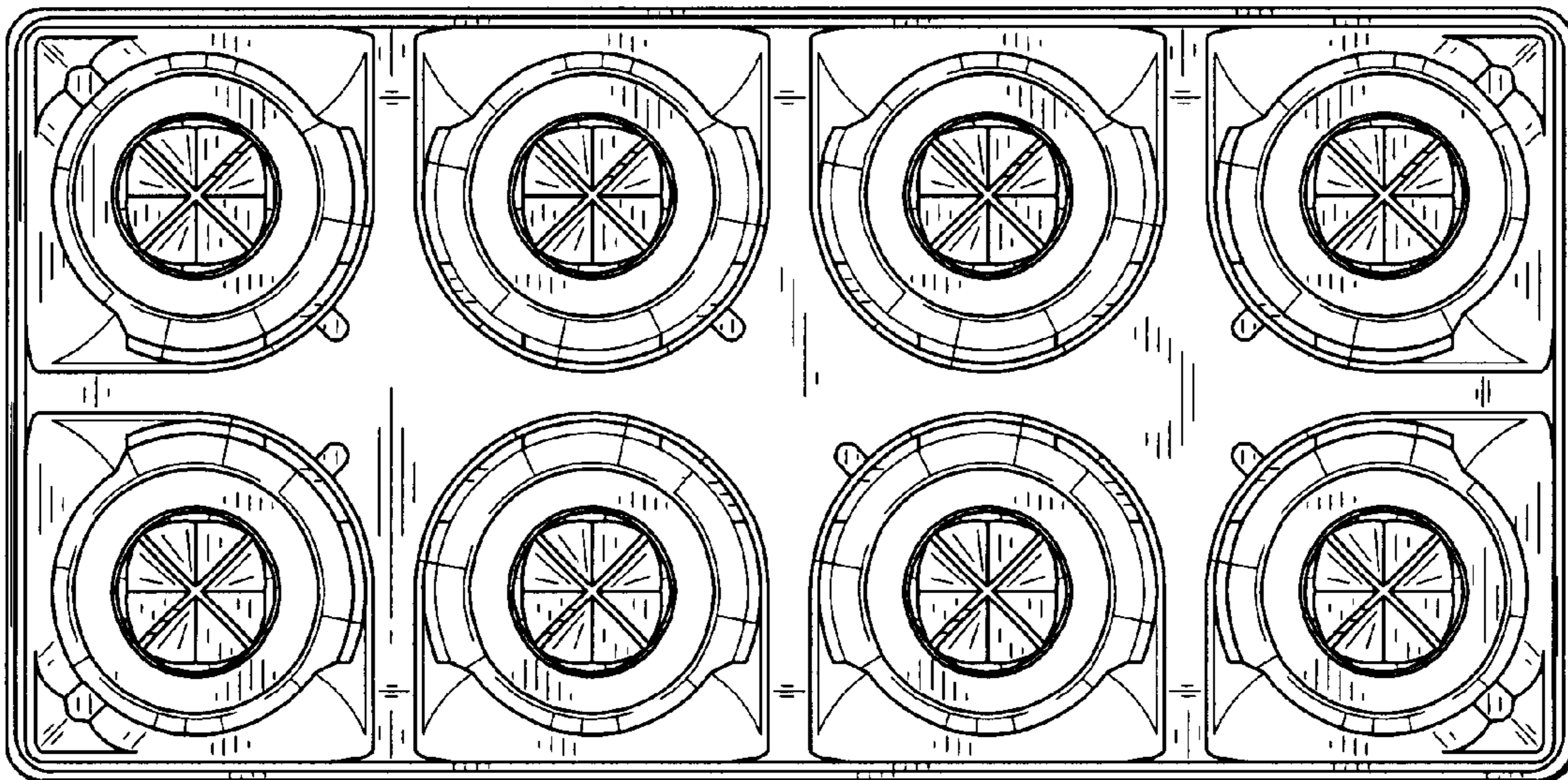


FIG. 10

