

US00D502663S

(12) **United States Design Patent**
Schwaiger

(10) **Patent No.:** **US D502,663 S**

(45) **Date of Patent:** **** Mar. 8, 2005**

(54) **WOODEN BRACELET**

D343,590 S * 1/1994 Dubs D11/20
6,388,612 B1 * 5/2002 Neher 342/357.07

(76) **Inventor:** **Berthold Schwaiger**, 1757 N. Kimball Ave., Chicago, IL (US) 60647

* cited by examiner

(**) **Term:** **14 Years**

Primary Examiner—Louis S. Zarfes

Assistant Examiner—John Windmuller

(21) **Appl. No.:** **29/196,158**

(74) *Attorney, Agent, or Firm*—Foley & Lardner

(22) **Filed:** **Dec. 23, 2003**

(57) **CLAIM**

(51) **LOC (7) Cl.** **11-01**

We claim the ornamental design for a wooden bracelet, as shown and described.

(52) **U.S. Cl.** **D11/4**

(58) **Field of Search** D11/1, 3, 4; 63/3

DESCRIPTION

(56) **References Cited**

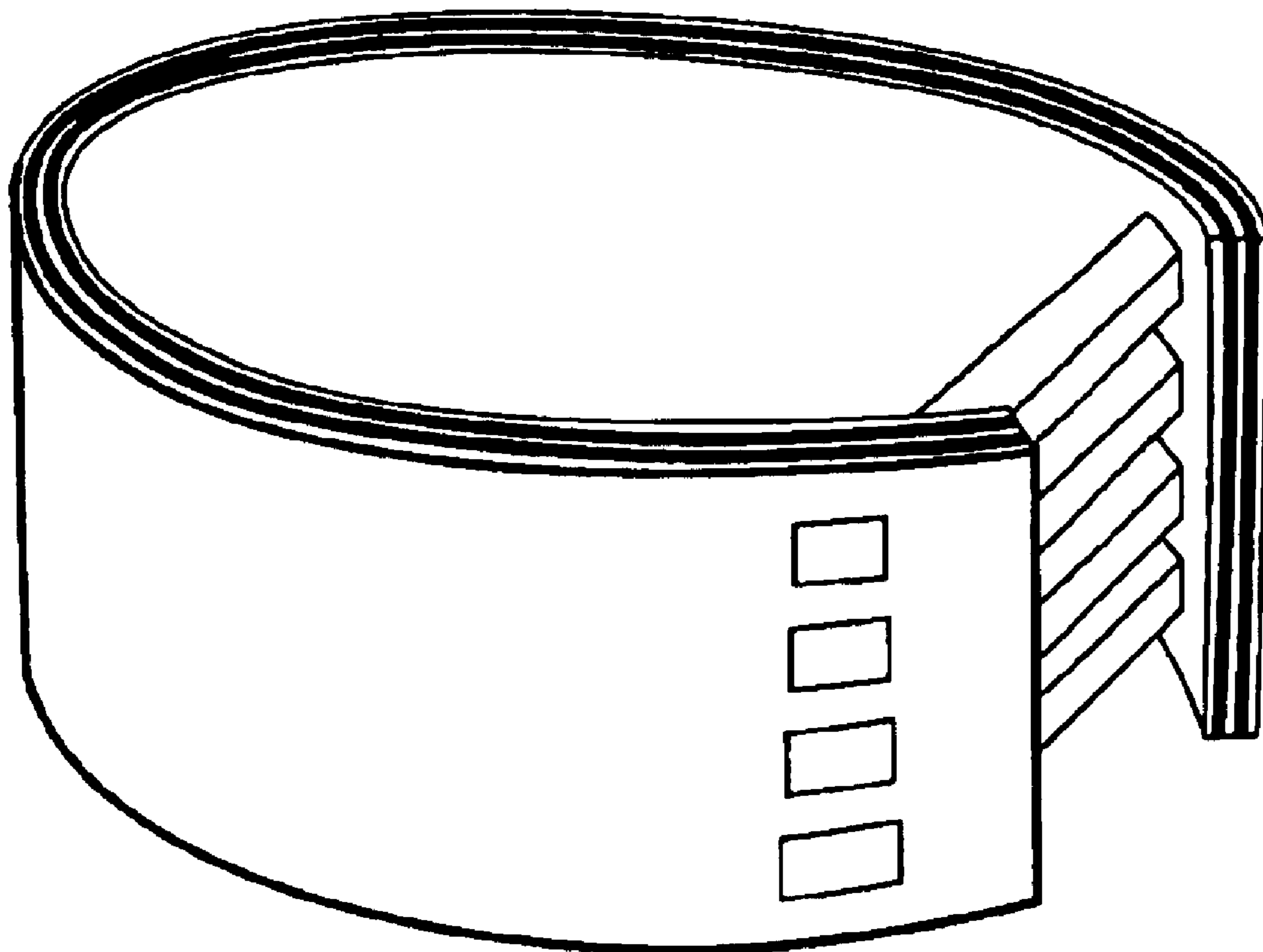
FIG. 1 is a perspective view thereof of the claimed design. FIG. 2 is a top view thereof of the claimed design; and, FIG. 3 is a front view thereof of the claimed design.

U.S. PATENT DOCUMENTS

The ornamental design which is claimed is shown in solid lines in the drawings.

- 107,325 A * 9/1870 Ball et al. 63/7
- D139,740 S * 12/1944 Adler D11/15
- 2,452,286 A * 10/1948 Benjamin 63/5.2
- 4,958,279 A * 9/1990 Proellocks 368/282

1 Claim, 1 Drawing Sheet



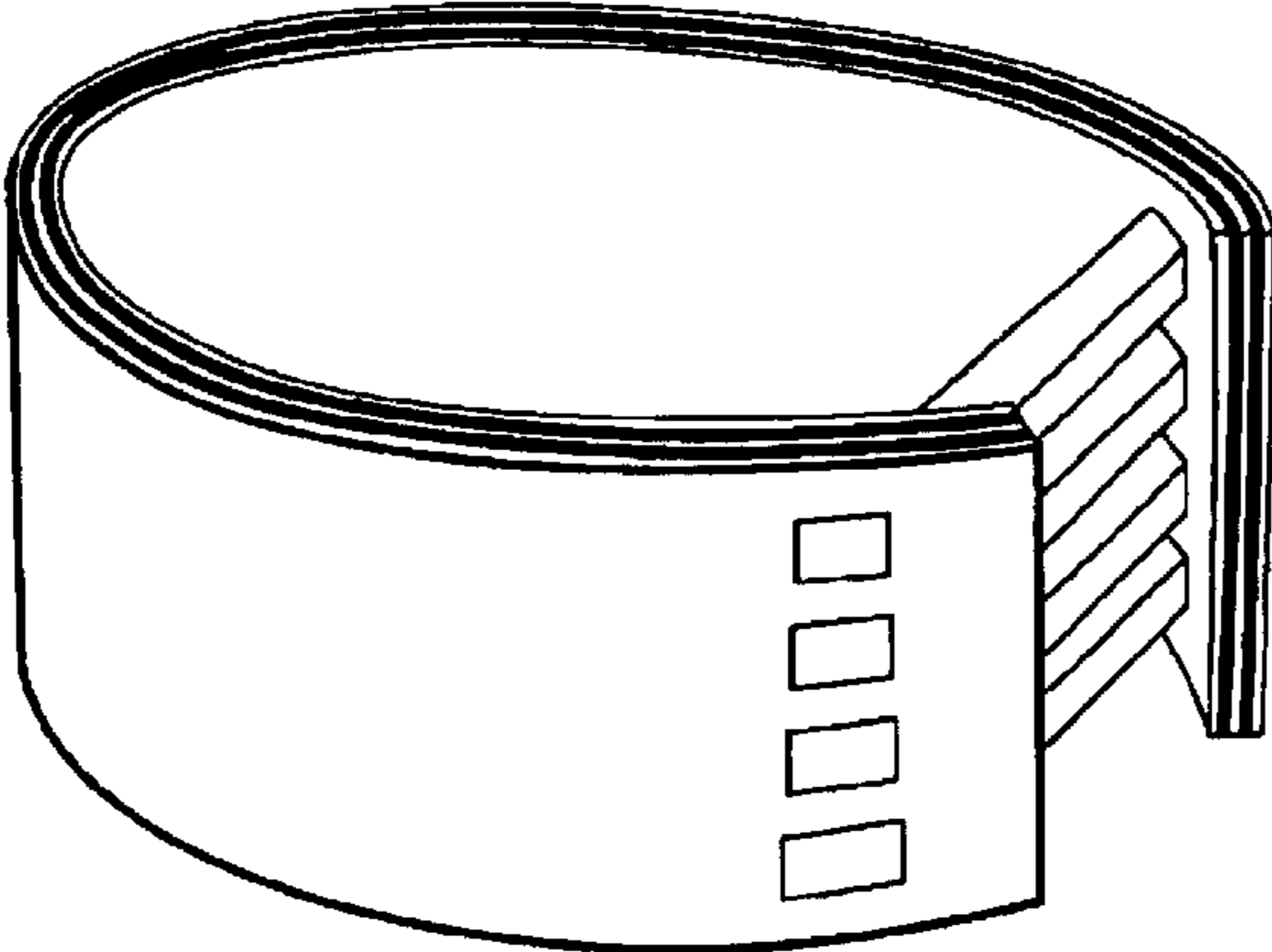


Figure 1

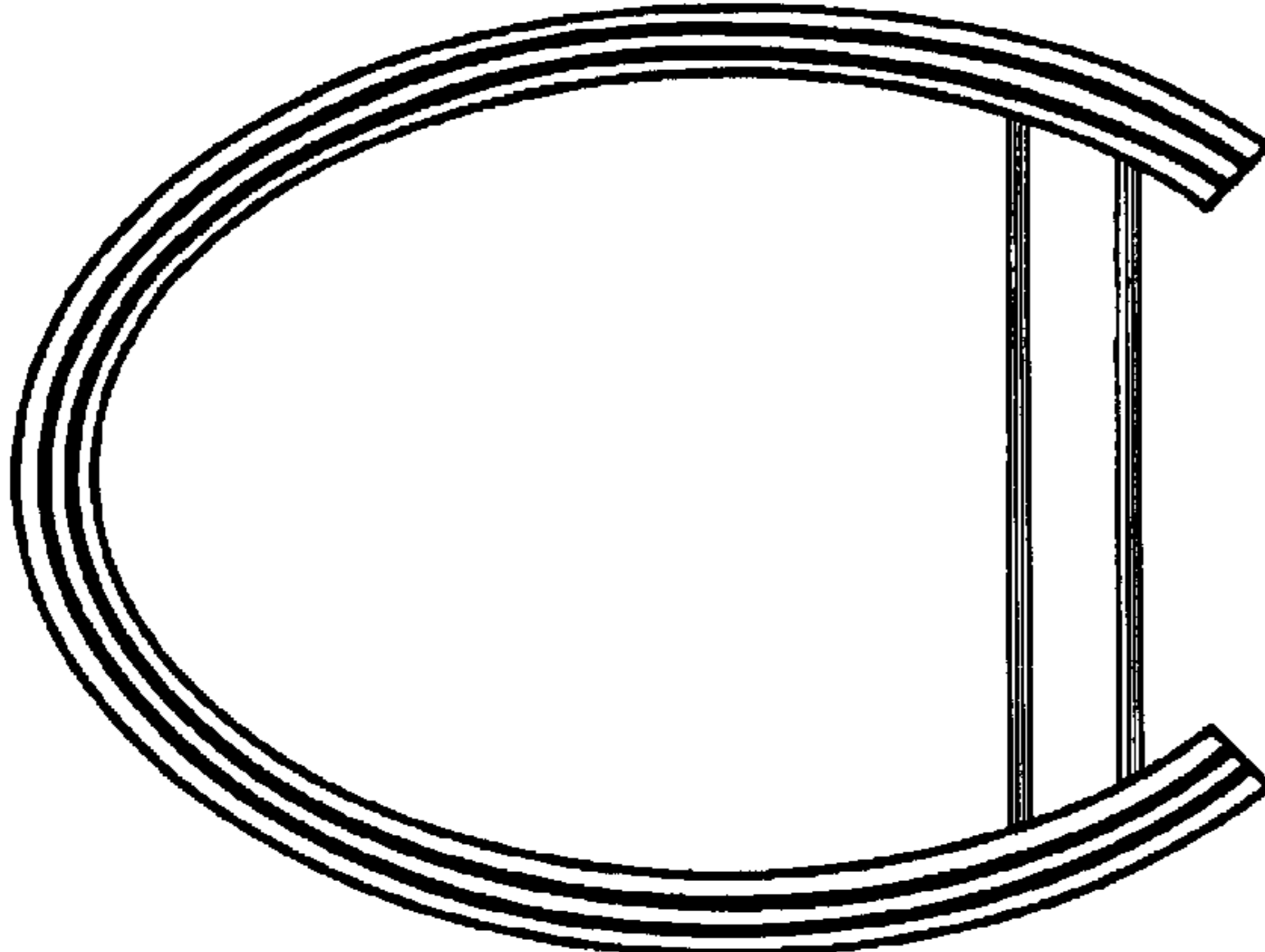


Figure 2

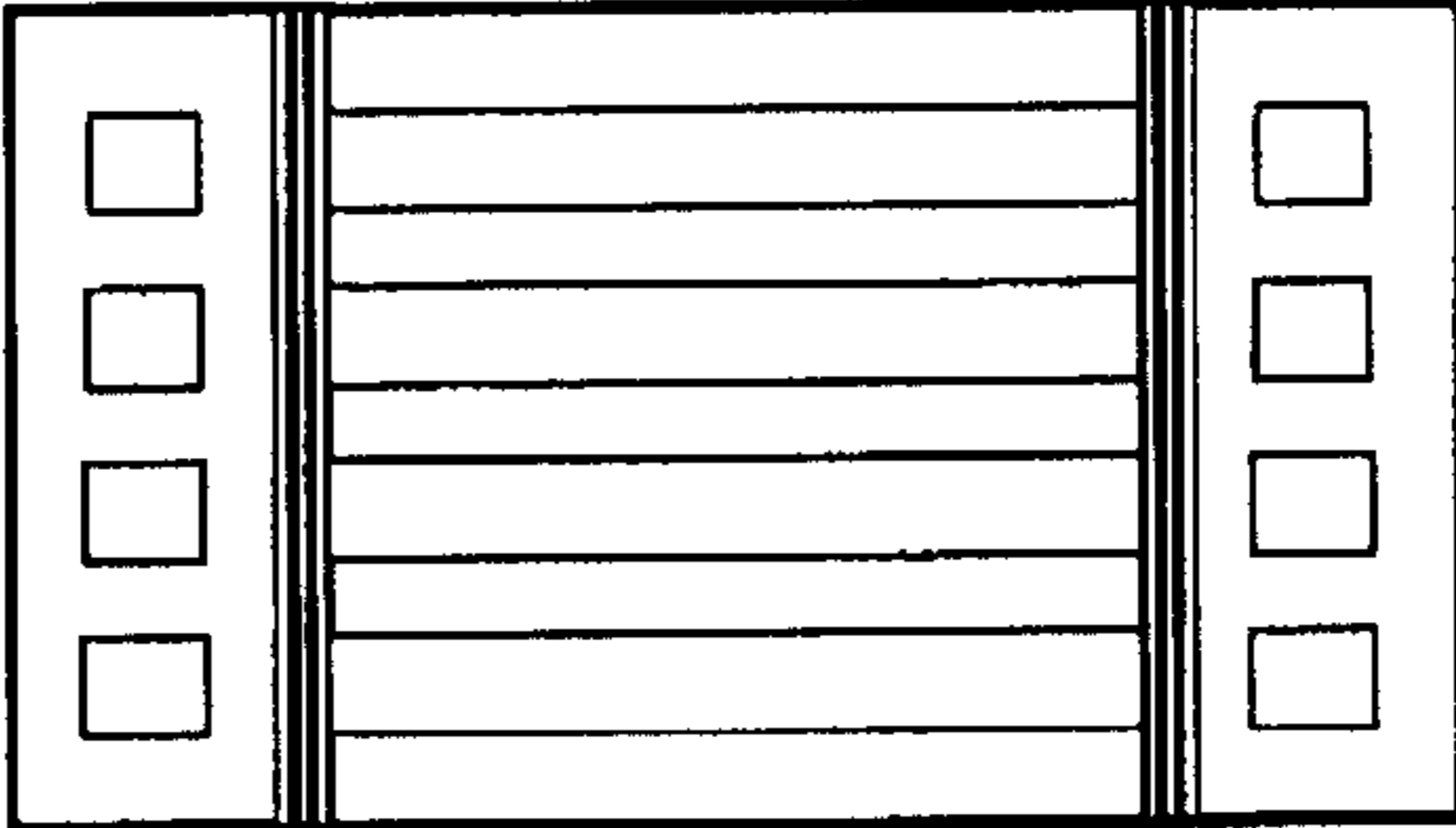


Figure 3