

US00D502659S

(12) **United States Design Patent**
Chung

(10) **Patent No.:** **US D502,659 S**
(45) **Date of Patent:** **** Mar. 8, 2005**

(54) **LIGHTNING ARRESTER**
(76) **Inventor:** **Young-Ki Chung**, 102-1404, Samsung Apt., 374 Dangsang-dong, Yeongdeungpo-gu, 150-040 Seoul (KR)

3,350,496 A * 10/1967 Ritter 174/4 C
3,360,686 A * 12/1967 Kalb 361/132
4,467,387 A * 8/1984 Bergh et al. 361/132
D497,116 S * 10/2004 Chung D10/105

* cited by examiner

(**) **Term:** **14 Years**

Primary Examiner—Nelson C. Holtje
(74) *Attorney, Agent, or Firm*—Foley & Lardner LLP

(21) **Appl. No.:** **29/200,067**

(22) **Filed:** **Feb. 24, 2004**

(57) **CLAIM**

The design for a lightning arrester, as shown.

(30) **Foreign Application Priority Data**

Dec. 9, 2003 (KR) 30-2003-0035017

DESCRIPTION

(51) **LOC (7) Cl.** **10-05**

(52) **U.S. Cl.** **D10/105**

(58) **Field of Search** D10/105; 361/220–224;
174/2, 3, 4 R, 4 C

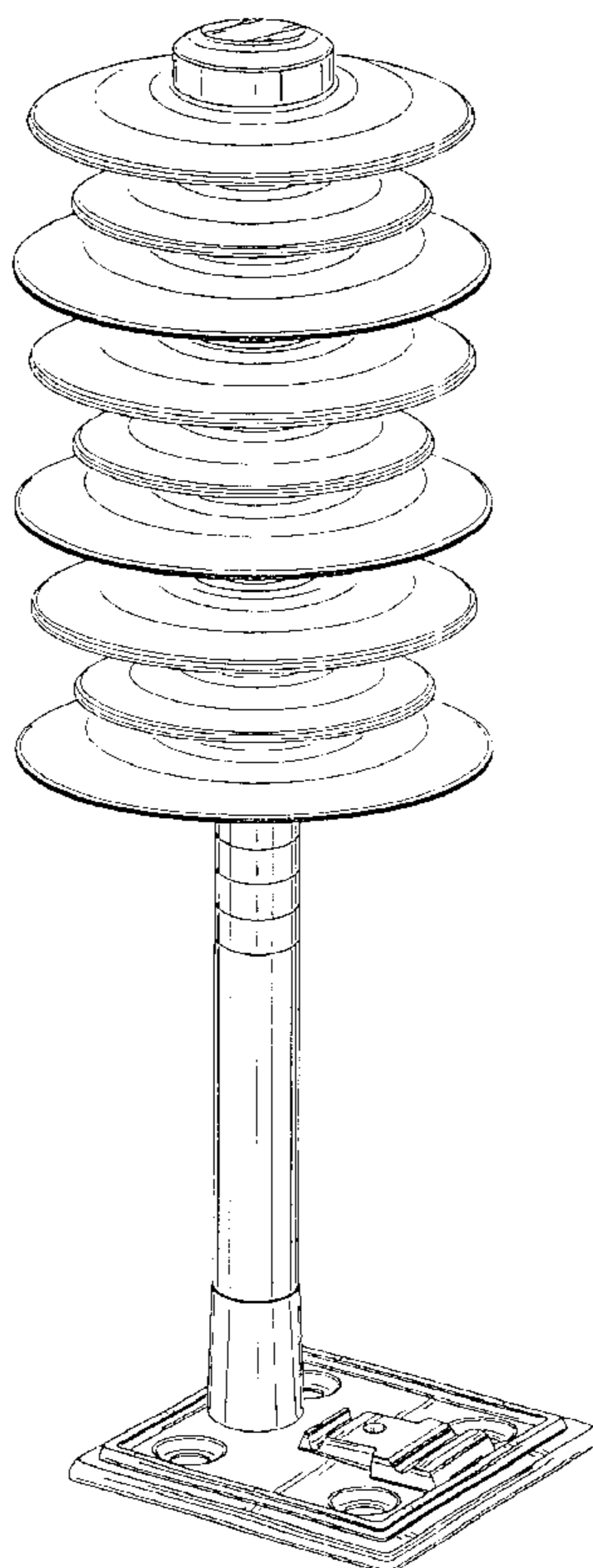
FIG. 1 is a perspective view of the lightning arrester according to the invention;
FIG. 2 is a left side elevational view of the lightning arrester according to the invention;
FIG. 3 is a right elevational view of the lightning arrester according to the invention;
FIG. 4 is a rear elevational view of the lightning arrester according to the invention;
FIG. 5 is a front elevational view of the lightning arrester according to the invention;
FIG. 6 is a top plan view of the lightning arrester according to the invention; and,
FIG. 7 is a bottom plan view of the lightning arrester according to the invention.

(56) **References Cited**

U.S. PATENT DOCUMENTS

1,166,393 A * 12/1915 Steinberger 174/140 R
1,342,111 A * 6/1920 Howe 174/2
2,128,408 A * 8/1938 Grenier 174/4 C
2,644,026 A * 6/1953 Grenier et al. 174/4 C
2,815,395 A * 12/1957 Donelli 174/4 R
2,854,499 A * 9/1958 Capart 174/4 C
2,914,602 A * 11/1959 Cougnard 174/140 R
3,294,892 A * 12/1966 Curtis 174/2

1 Claim, 7 Drawing Sheets



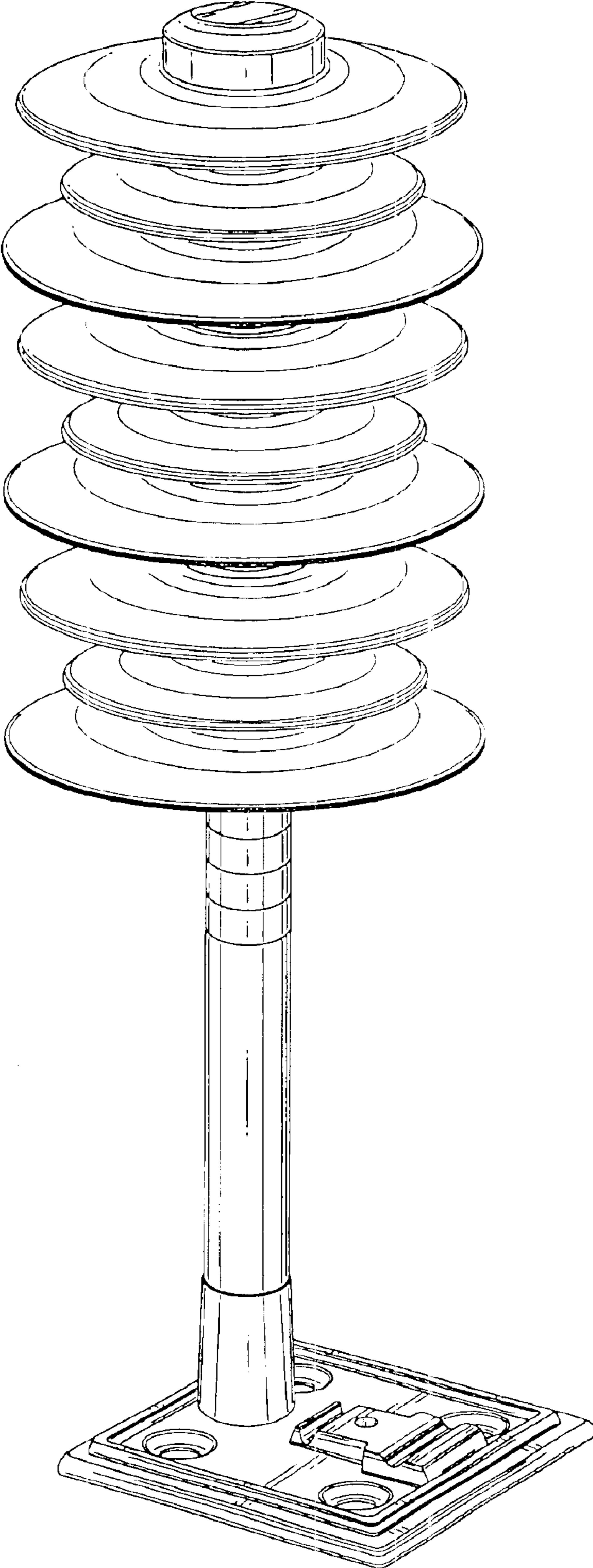


FIG. 1

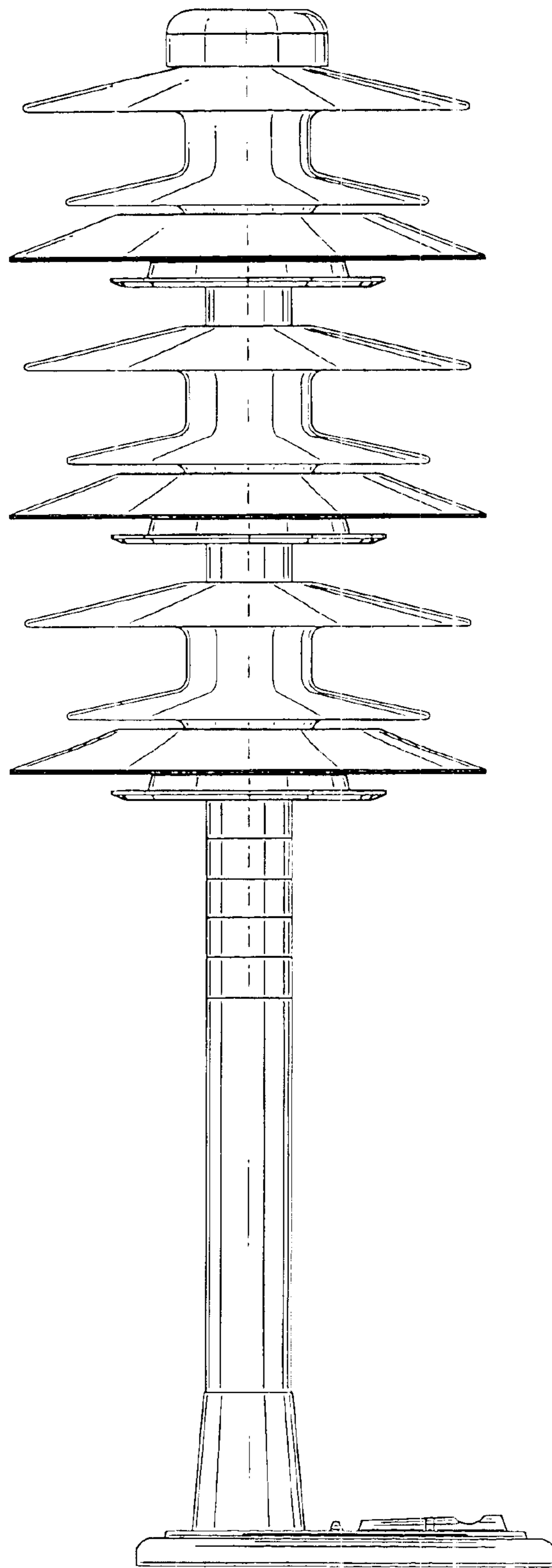


FIG. 2

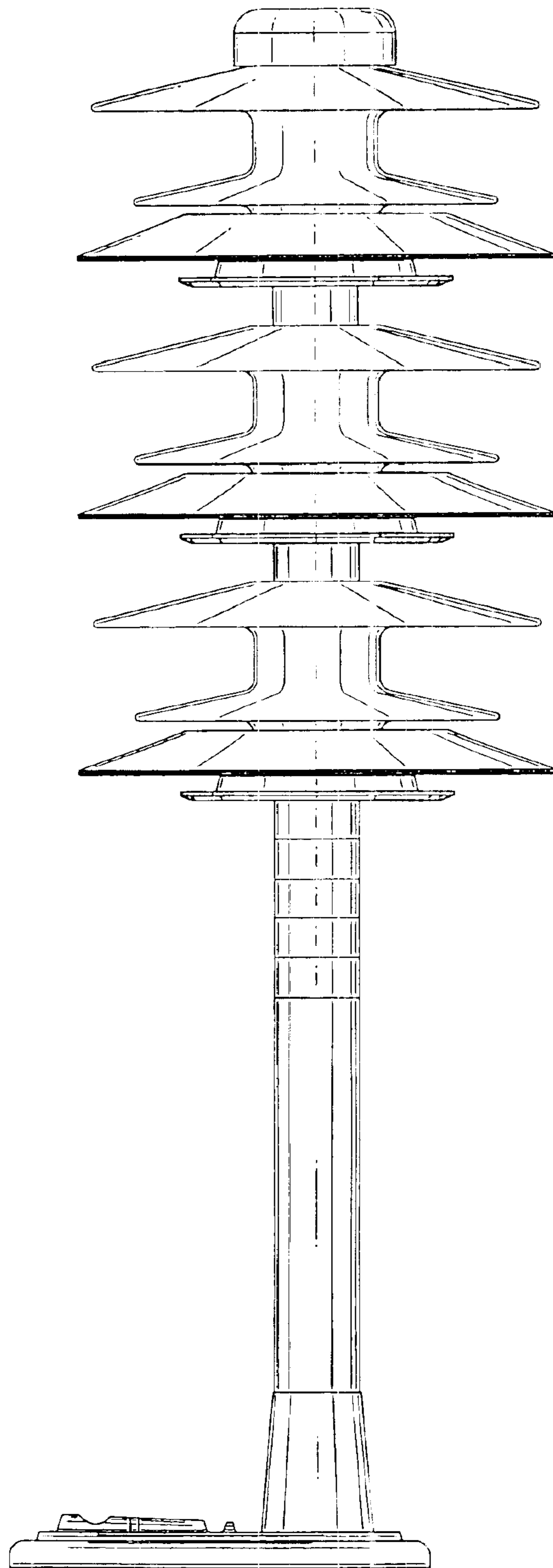


FIG. 3

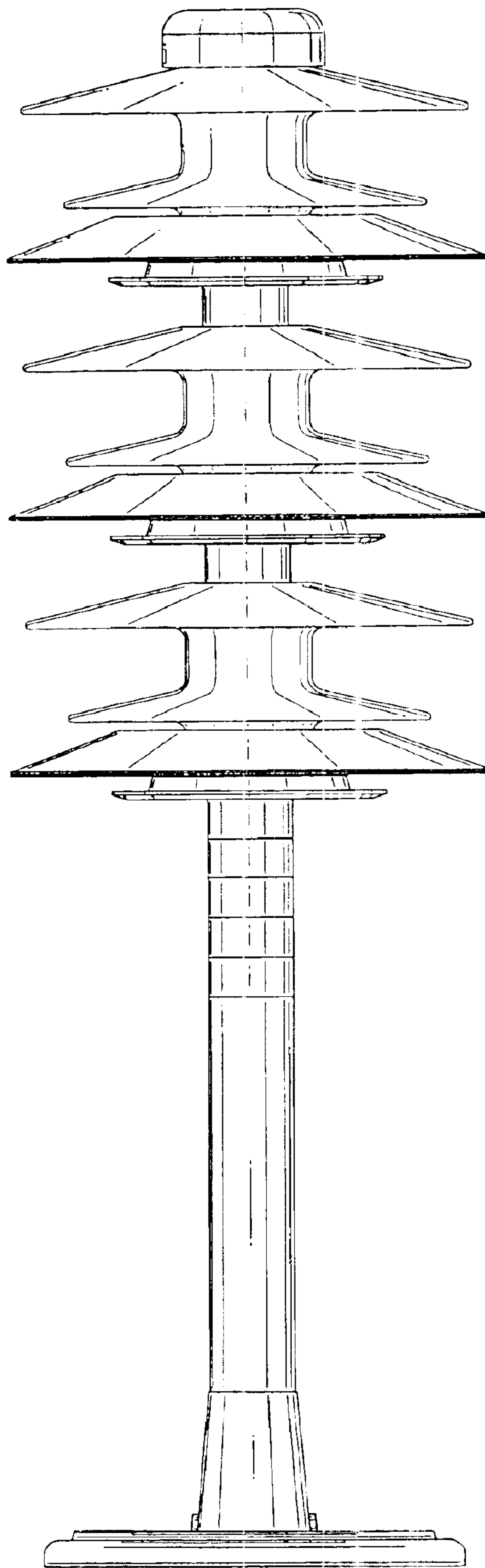


FIG. 4

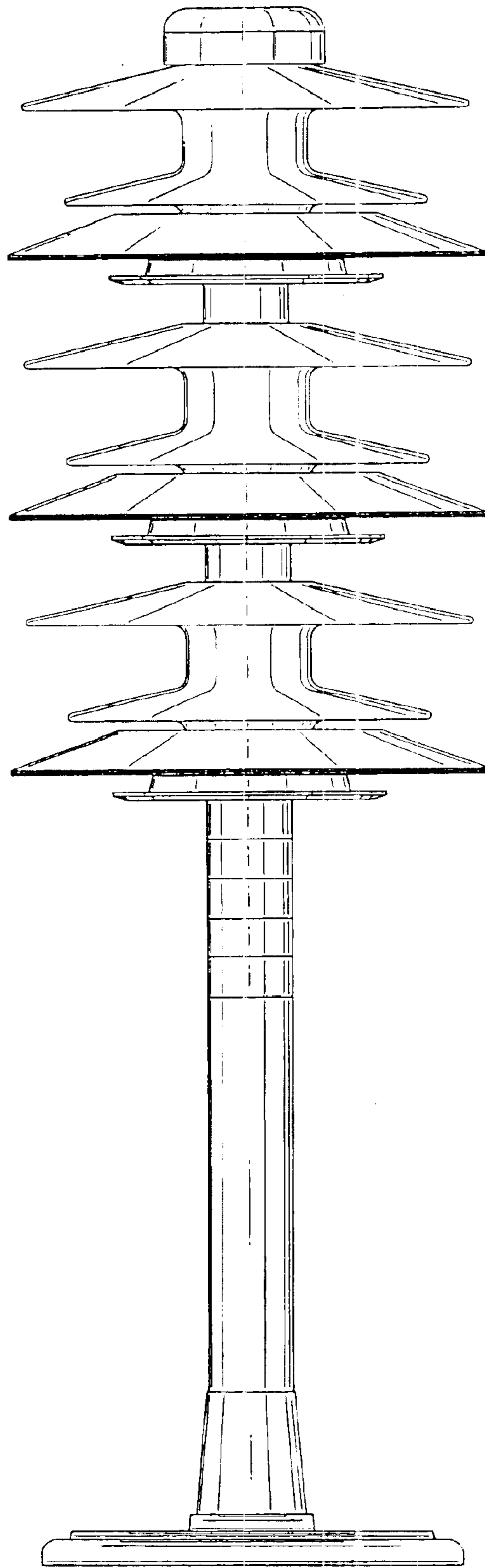


FIG. 5

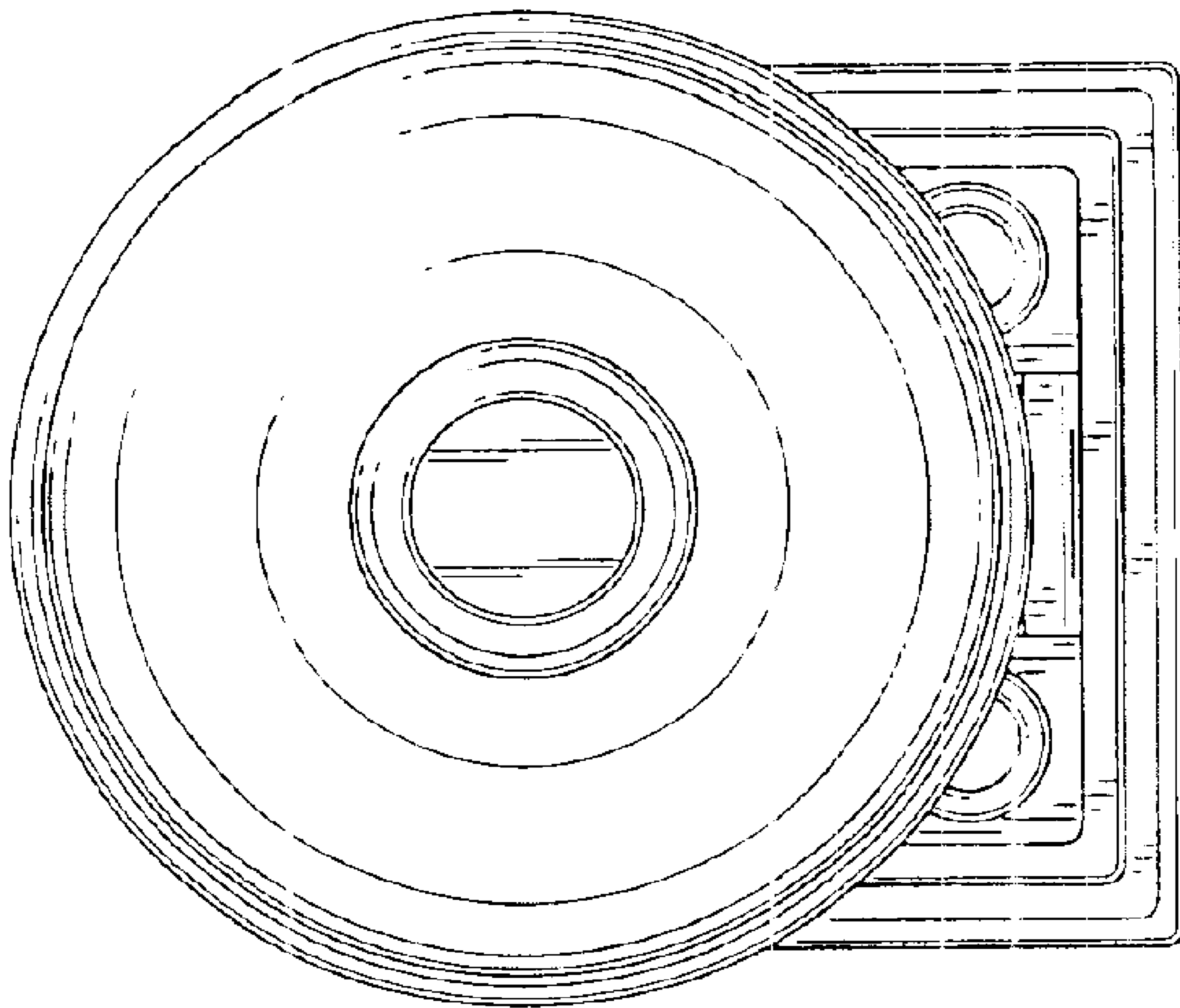


FIG. 6

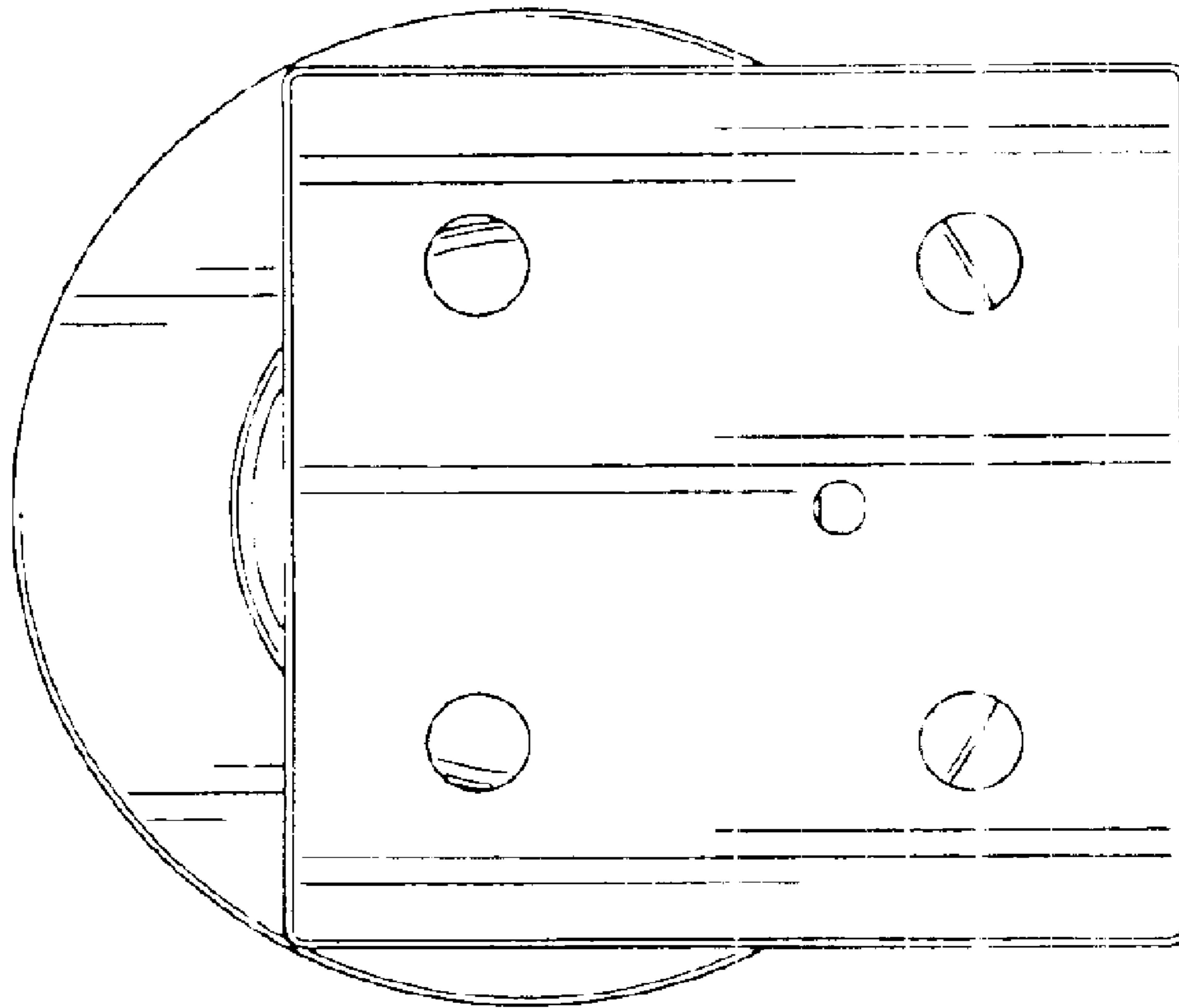


FIG. 7