

US00D502658S

(12) **United States Design Patent**  
**Chung**

(10) **Patent No.:** **US D502,658 S**  
(45) **Date of Patent:** **\*\* Mar. 8, 2005**

(54) **LIGHTNING ARRESTER**

(76) Inventor: **Young-Ki Chung**, 102-1404, Samsung Apt., 374, Dongsan-dong, Yeongdeungpo-gu, 150-040 Seoul (KR)

(\*\*) Term: **14 Years**

(21) Appl. No.: **29/200,060**

(22) Filed: **Feb. 24, 2004**

(30) **Foreign Application Priority Data**

Dec. 9, 2003 (KR) ..... 30-2003-0035016

(51) **LOC (7) Cl.** ..... **10-05**

(52) **U.S. Cl.** ..... **D10/105**

(58) **Field of Search** ..... D10/105; 361/220-224; 174/2, 3, 4 R, 4 C

(56) **References Cited**

**U.S. PATENT DOCUMENTS**

- 1,166,393 A \* 12/1915 Steinberger ..... 174/140 R
- 1,342,111 A \* 6/1920 Howe ..... 174/2
- 2,128,408 A \* 8/1938 Grenier ..... 174/4 C
- 2,644,026 A \* 6/1953 Grenier et al. .... 174/4 C
- 2,815,395 A \* 12/1957 Donelli ..... 174/4 R
- 2,854,499 A \* 9/1958 Capart ..... 174/4 C
- 2,914,602 A \* 11/1959 Cougnard ..... 174/140 R
- 3,294,892 A \* 12/1966 Curtis ..... 174/2

- 3,350,496 A \* 10/1967 Ritter ..... 174/4 C
- 3,360,686 A \* 12/1967 Kalb ..... 361/132
- 4,467,387 A \* 8/1984 Bergh et al. .... 361/132
- D375,272 S \* 11/1996 Heary ..... D10/105
- D497,116 S \* 10/2004 Chung ..... D10/105

\* cited by examiner

*Primary Examiner*—Nelson C. Holtje

(74) *Attorney, Agent, or Firm*—Foley & Lardner LLP

(57) **CLAIM**

The design for a lightning arrester, as shown.

**DESCRIPTION**

FIG. 1 is a perspective view of the lightning arrester according to the invention;

FIG. 2 is a left side elevational view of the lightning arrester according to the invention;

FIG. 3 is a right elevational view of the lightning arrester according to the invention;

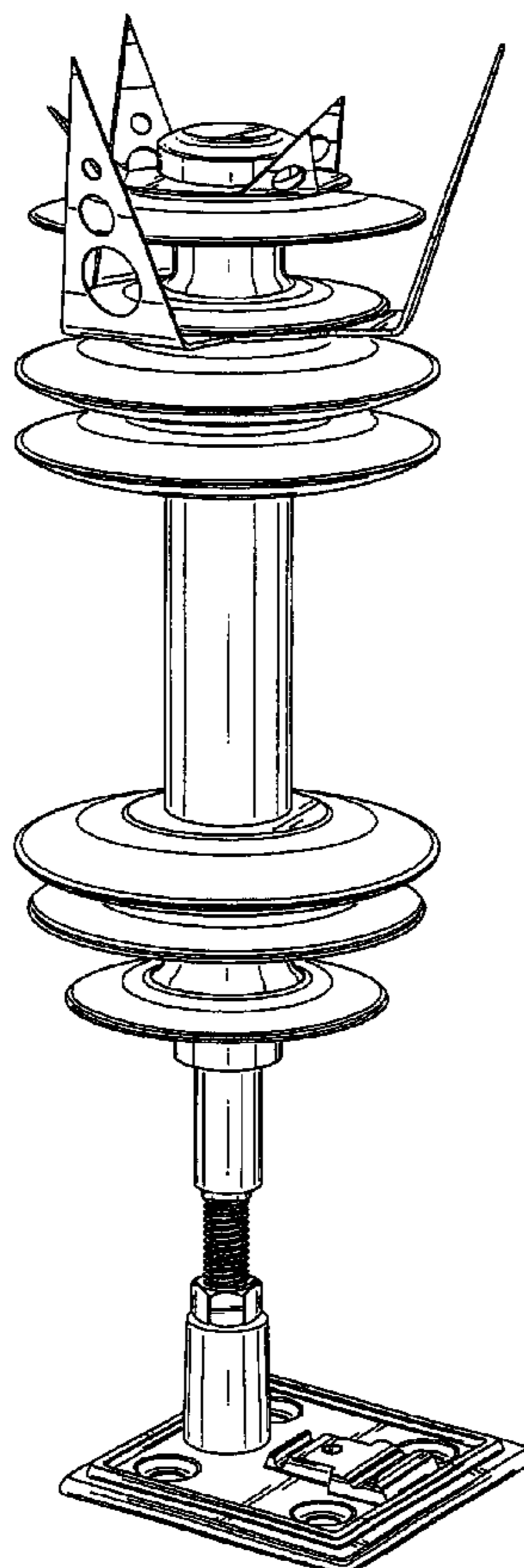
FIG. 4 is a rear elevational view of the lightning arrester according to the invention;

FIG. 5 is a front elevational view of the lightning arrester according to the invention;

FIG. 6 is a top plan view of the lightning arrester according to the invention; and,

FIG. 7 is a bottom plan view of the lightning arrester according to the invention.

**1 Claim, 7 Drawing Sheets**



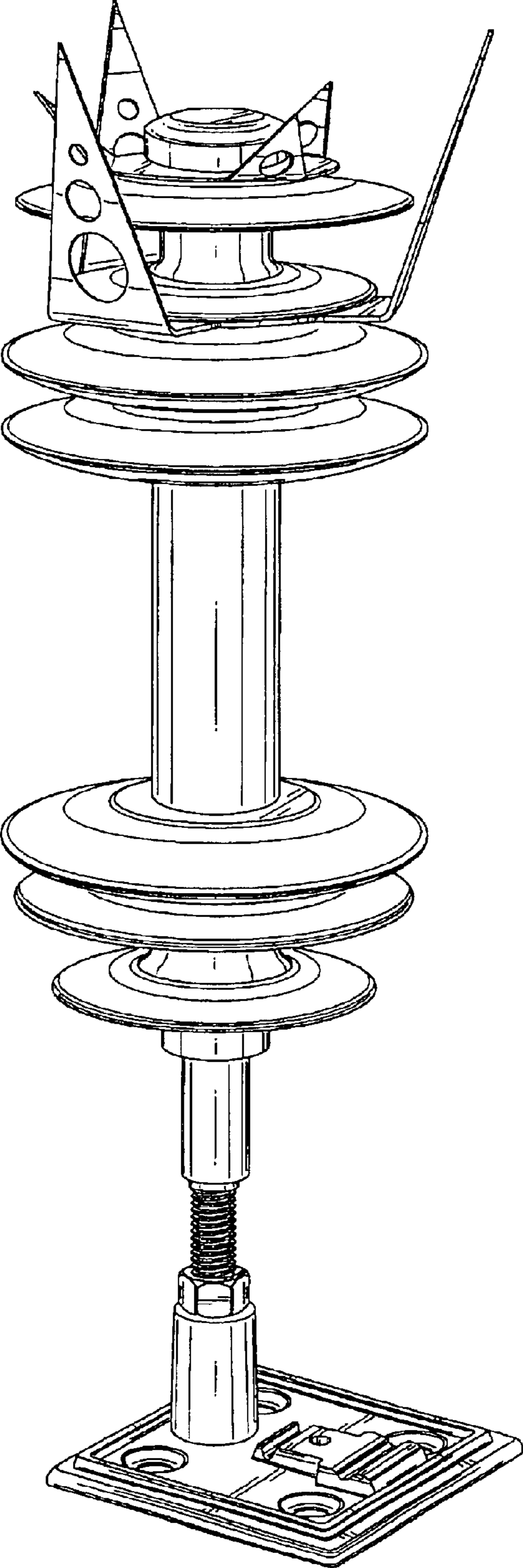


FIG. 1

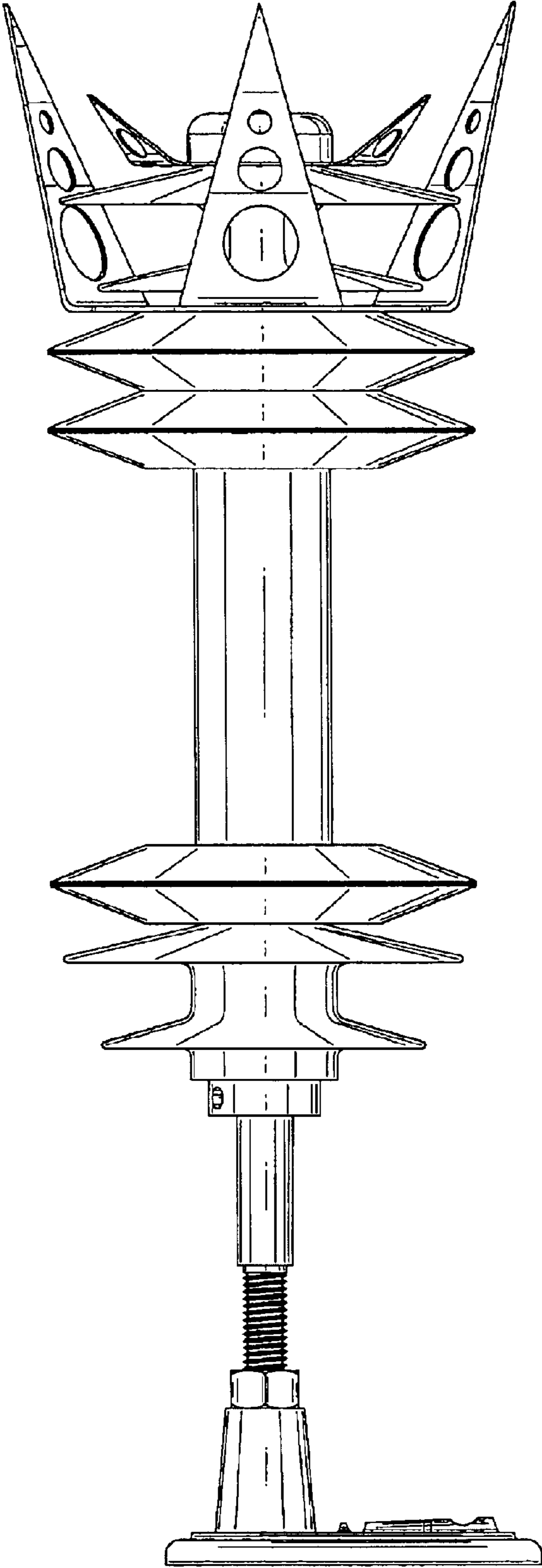


FIG. 2

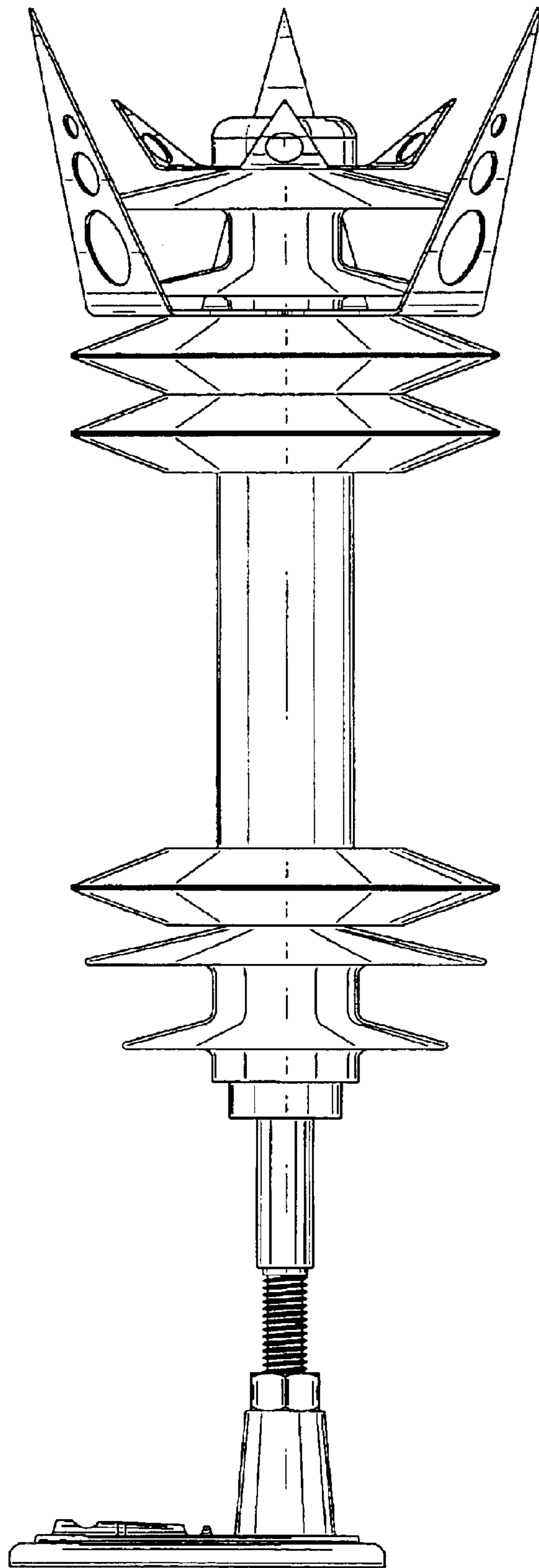


FIG. 3

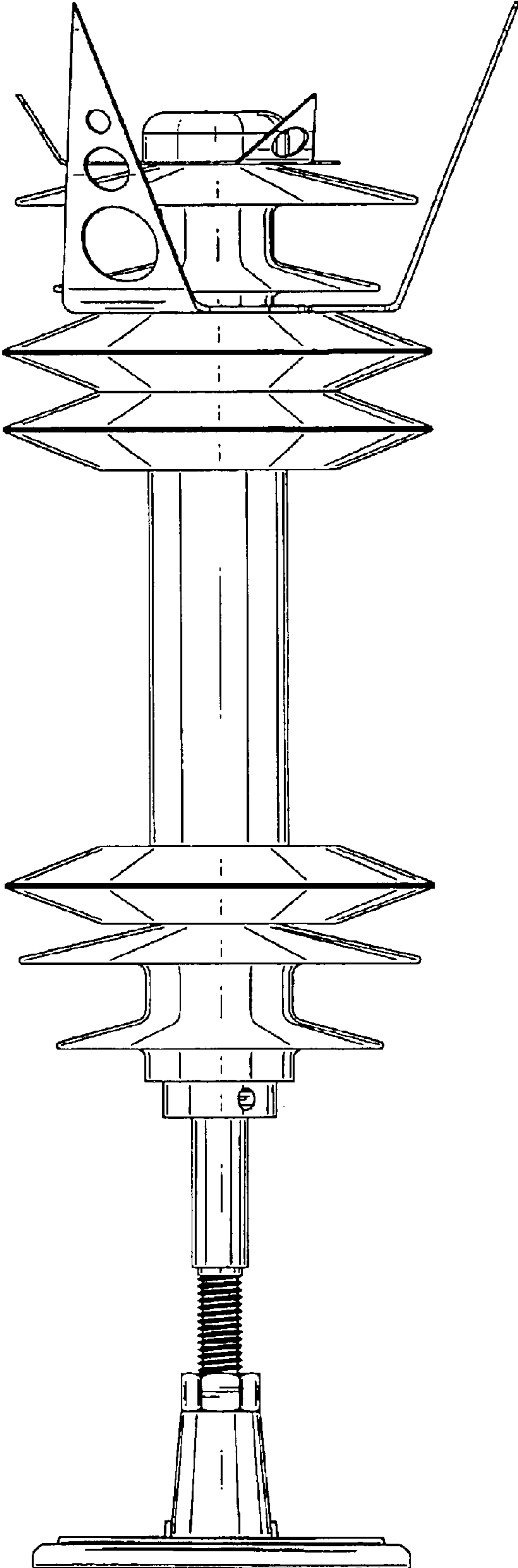


FIG. 4

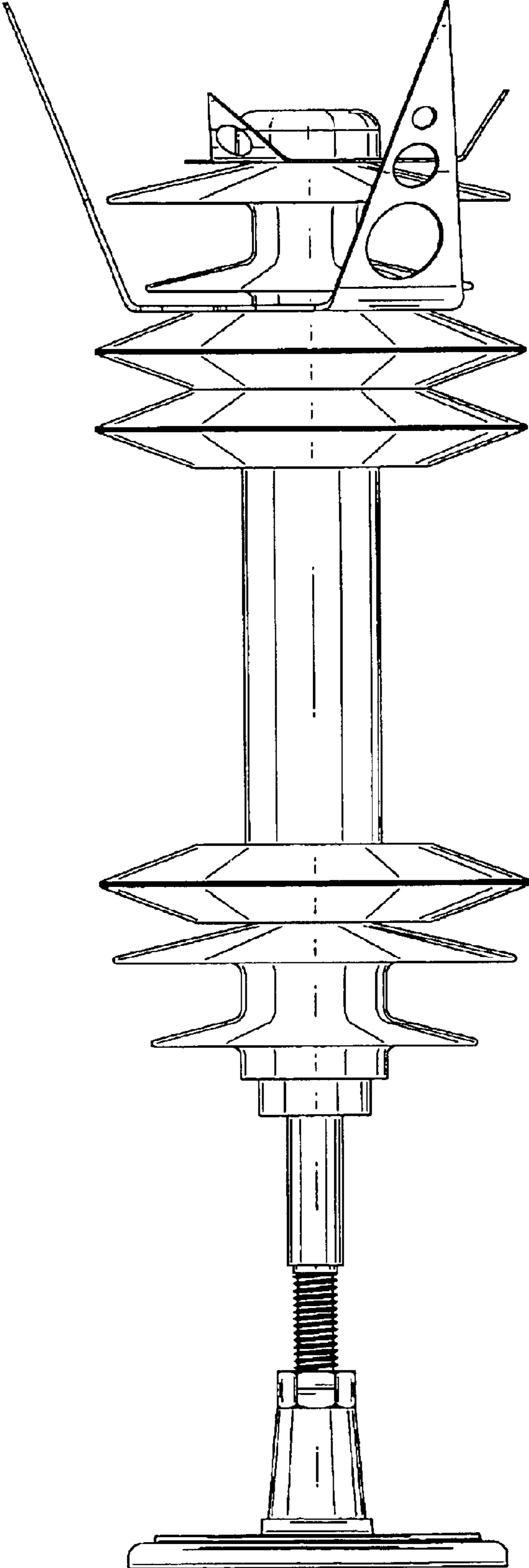


FIG. 5



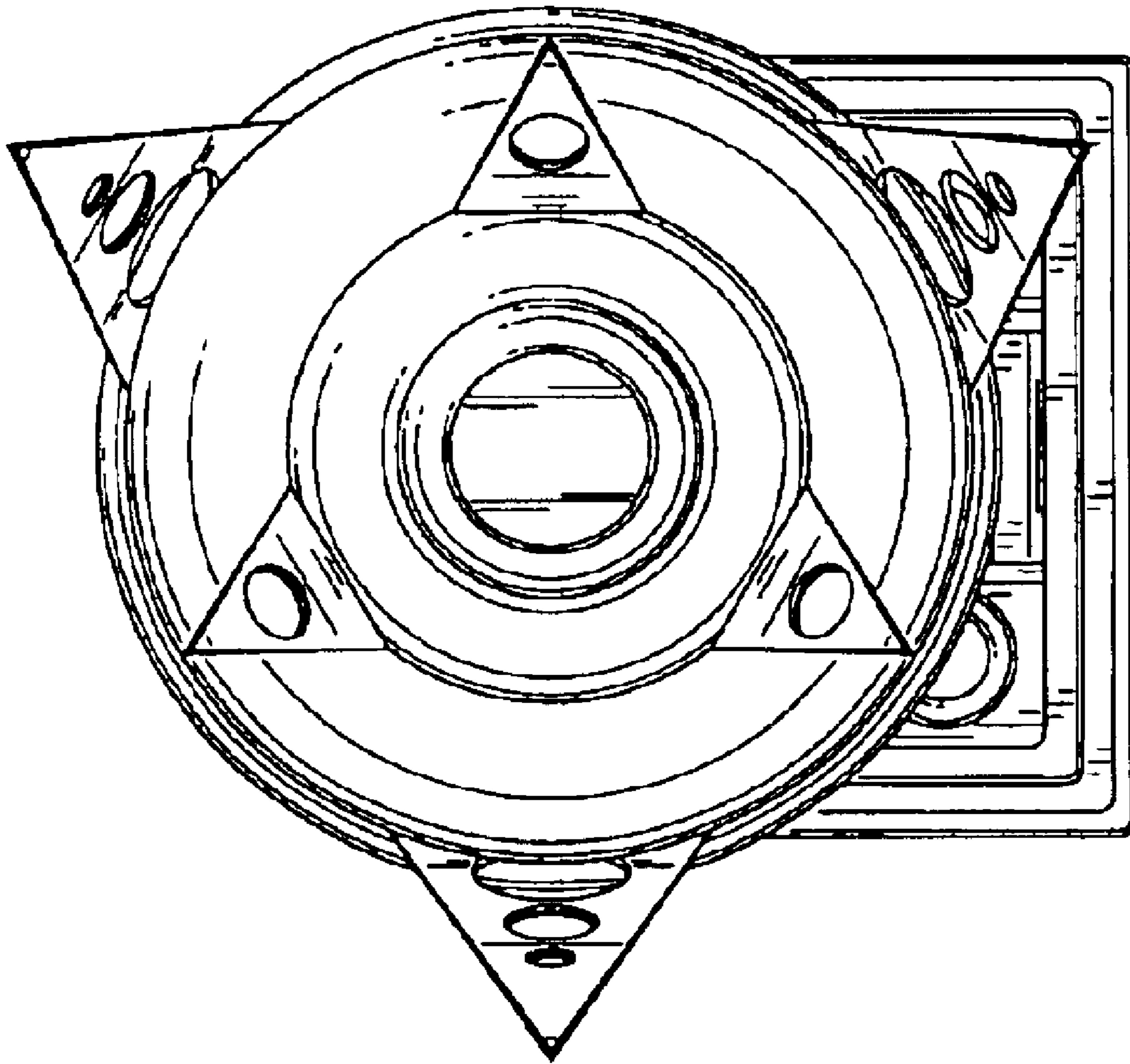


FIG. 6

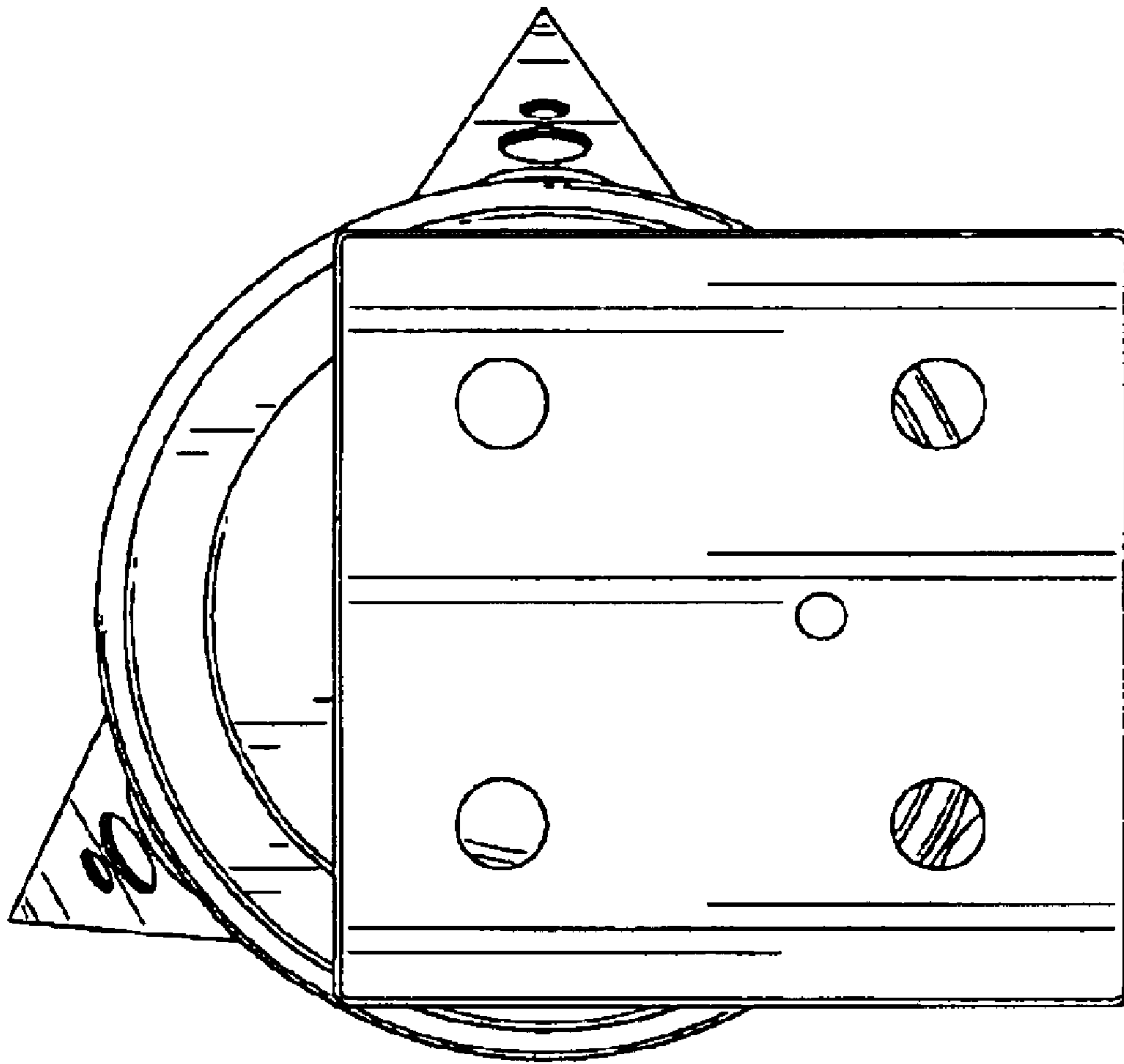


FIG. 7