

US00D502653S

(12) **United States Design Patent**  
**Ramirez**

(10) **Patent No.:** **US D502,653 S**  
(45) **Date of Patent:** **\*\* Mar. 8, 2005**

(54) **LEVEL**

6,779,276 B1 \* 8/2004 Turner ..... 33/379

(76) **Inventor:** **Rolando Ramirez**, 9551 Braun Creek,  
San Antonio, TX (US) 78254

\* cited by examiner

(\*\*) **Term:** **14 Years**

*Primary Examiner*—Antoine D. Davis

(74) *Attorney, Agent, or Firm*—Stephen R. Greiner

(21) **Appl. No.:** **29/209,341**

(57) **CLAIM**

(22) **Filed:** **Jul. 15, 2004**

The ornamental design for a level, as shown and described.

(51) **LOC (7) Cl.** ..... **10-04**

**DESCRIPTION**

(52) **U.S. Cl.** ..... **D10/69**

FIG. 1 is a perspective view of a level showing my new design;

(58) **Field of Search** ..... D10/69; 33/391,

FIG. 2 is a top view thereof;

33/398, 399, 402, 366.24

FIG. 3 is a front elevational view with the rear elevation being a mirror image thereof;

(56) **References Cited**

**U.S. PATENT DOCUMENTS**

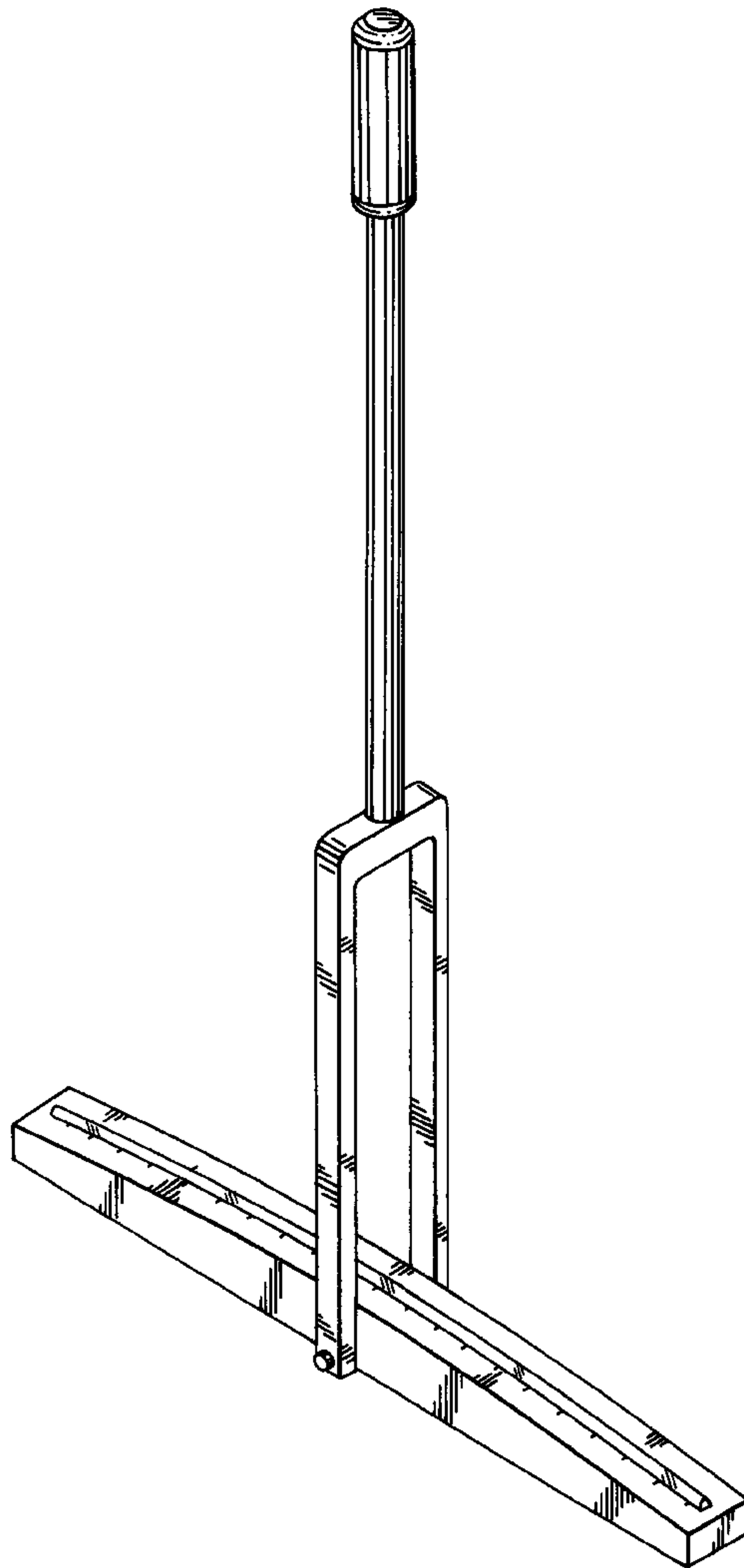
756,628 A	4/1904	Happle
1,829,257 A	10/1931	Best et al.
2,635,344 A	4/1953	Misz
3,857,188 A	12/1974	Foster et al.
3,908,991 A	9/1975	Schwartz
4,604,812 A	8/1986	Arjomand

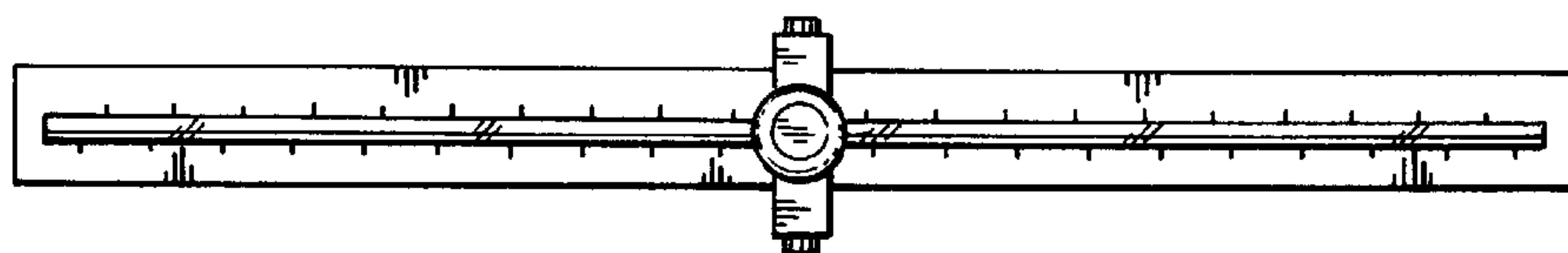
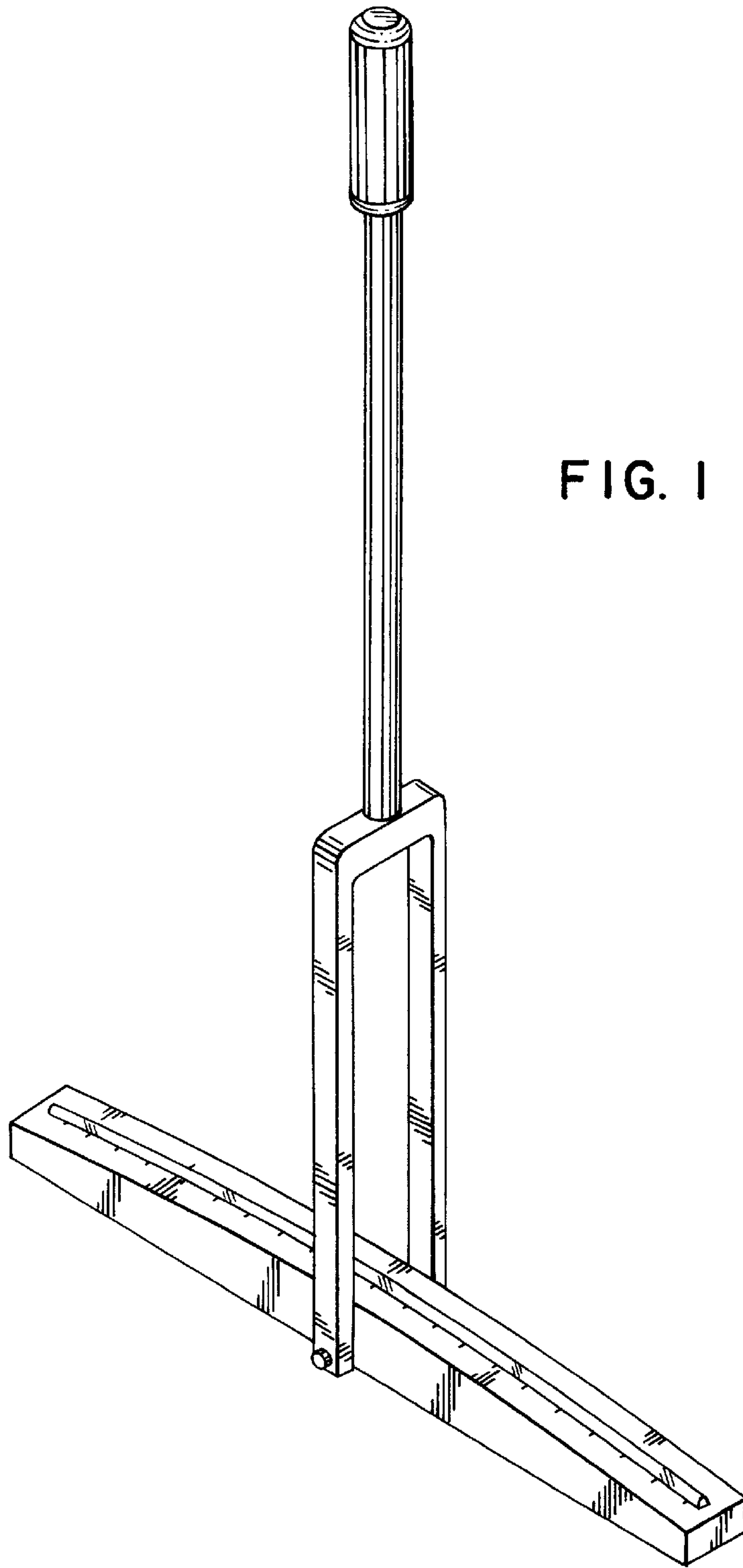
FIG. 4 is a left side elevational view with the right side being a mirror image thereof; and,

FIG. 5 is a bottom view thereof.

The broken line showing of alternative handle positionings in FIG. 3 is for demonstrative purposes only and forms no part of the claimed design.

**1 Claim, 2 Drawing Sheets**





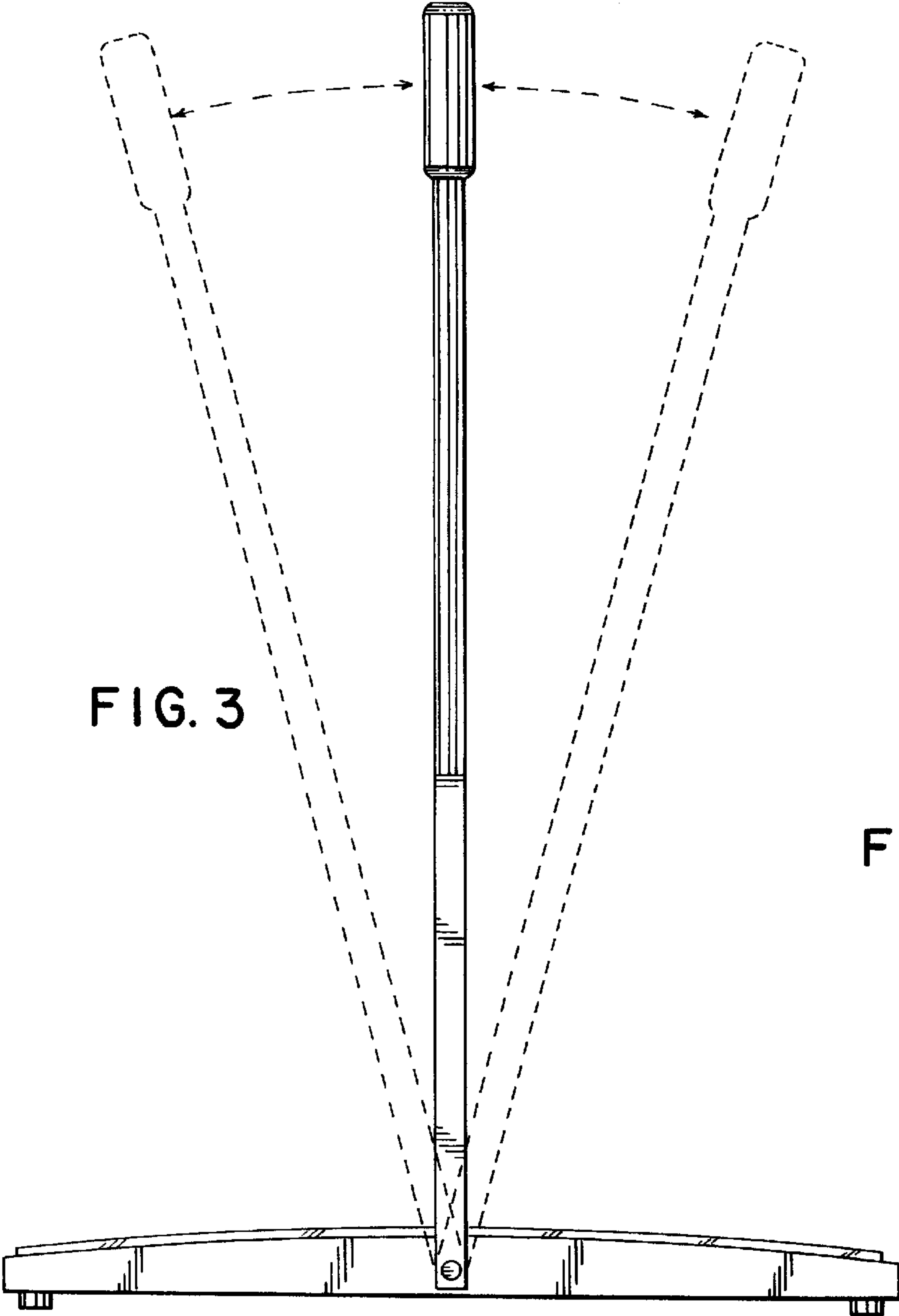


FIG. 3

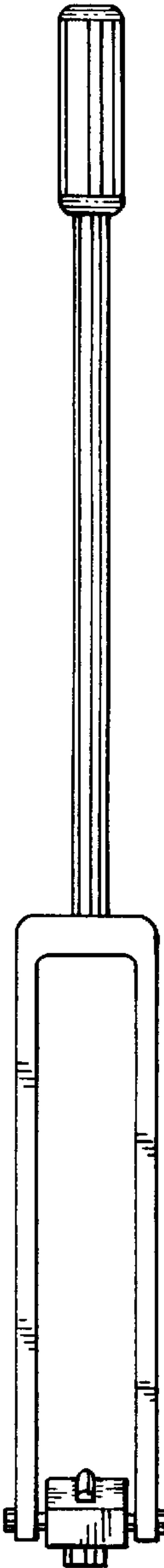


FIG. 4

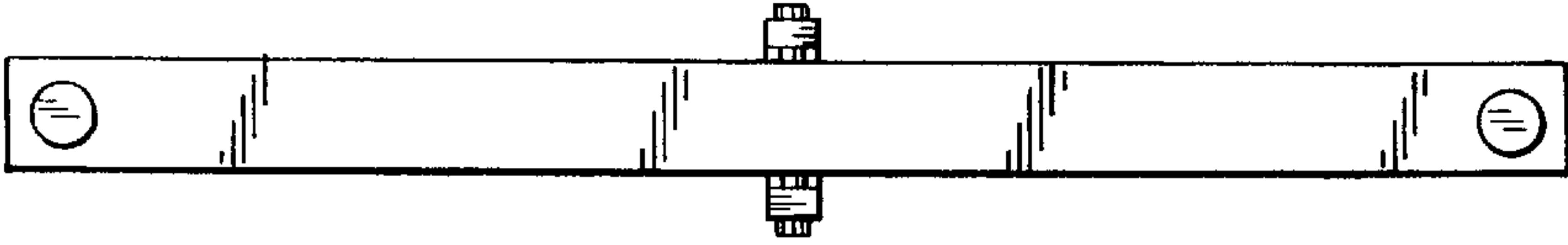


FIG. 5