

US00D502651S

(12) **United States Design Patent**
Gouldson

(10) **Patent No.:** **US D502,651 S**
(45) **Date of Patent:** **** Mar. 8, 2005**

(54) **SIZE INDICATOR FOR A GARMENT HANGER**

(75) Inventor: **Stanley F. Gouldson**, Northport, NY (US)
(73) Assignee: **Spotless Plastics Pty. Ltd.**, Moorabbin (AU)
(**) Term: **14 Years**

(21) Appl. No.: **29/192,111**
(22) Filed: **Oct. 17, 2003**

(51) **LOC (7) Cl.** **10-04**
(52) **U.S. Cl.** **D10/46; D6/328**
(58) **Field of Search** **D6/315, 318, 319, D6/328; D10/46; 223/85, 98**

(56) **References Cited**

U.S. PATENT DOCUMENTS

2,578,741	A	*	12/1951	Reiner	223/98
D239,041	S	*	3/1976	Rubinstein	D99/28
D327,582	S	*	7/1992	Mathews	D6/328
5,503,310	A	*	4/1996	Zuckerman et al.	223/85
6,499,636	B1	*	12/2002	McCool	223/98

* cited by examiner

Primary Examiner—Antoine D. Davis
(74) *Attorney, Agent, or Firm*—Scully, Scott, Murphy & Presser

(57) **CLAIM**

The ornamental design for a size indicator for a garment hanger, as shown and described.

DESCRIPTION

FIG. 1 is an isometric view of a first embodiment of a size indicator for a garment hanger;
FIG. 2 is an elevation view of a first embodiment of a size indicator for a garment hanger as viewed from either the front or the rear;

FIG. 3 is a plan view of a first embodiment of a size indicator for a garment hanger;
FIG. 4 is a bottom view of a first embodiment of a size indicator for a garment hanger;
FIG. 5 is a side elevation view of a first embodiment of a size indicator for a garment hanger as viewed from either the right side or the left side;
FIG. 6 is an isometric view of a second embodiment of a size indicator for a garment hanger;
FIG. 7 is an elevation view of a second embodiment of a size indicator for a garment hanger as viewed from either the front or the rear;
FIG. 8 is a plan view of a second embodiment of a size indicator for a garment hanger;
FIG. 9 is a bottom view of a second embodiment of a size indicator for a garment hanger;
FIG. 10 is a side elevation view of a second embodiment of a size indicator for a garment hanger as viewed from either the right side or the left side;
FIG. 11 is an isometric view of a third embodiment of a size indicator for a garment hanger;
FIG. 12 is an elevation view of a third embodiment of a size indicator for a garment hanger as viewed from either the front or the rear;
FIG. 13 is a plan view of a third embodiment of a size indicator for a garment hanger;
FIG. 14 is a bottom view of a third embodiment of a size indicator for a garment hanger;
FIG. 15 is a side elevation view of a third embodiment of a size indicator for a garment hanger as viewed from either the right side or the left side;
FIG. 16 is an isometric view of a fourth embodiment of a size indicator for a garment hanger;
FIG. 17 is an elevation view of a fourth embodiment of a size indicator for a garment hanger as viewed from either the front or the rear;
FIG. 18 is a plan view of a fourth embodiment of a size indicator for a garment hanger;
FIG. 19 is a bottom view of a fourth embodiment of a size indicator for a garment hanger;
FIG. 20 is a side elevation view of a fourth embodiment of a size indicator for a garment hanger as viewed from either the right side or the left side;

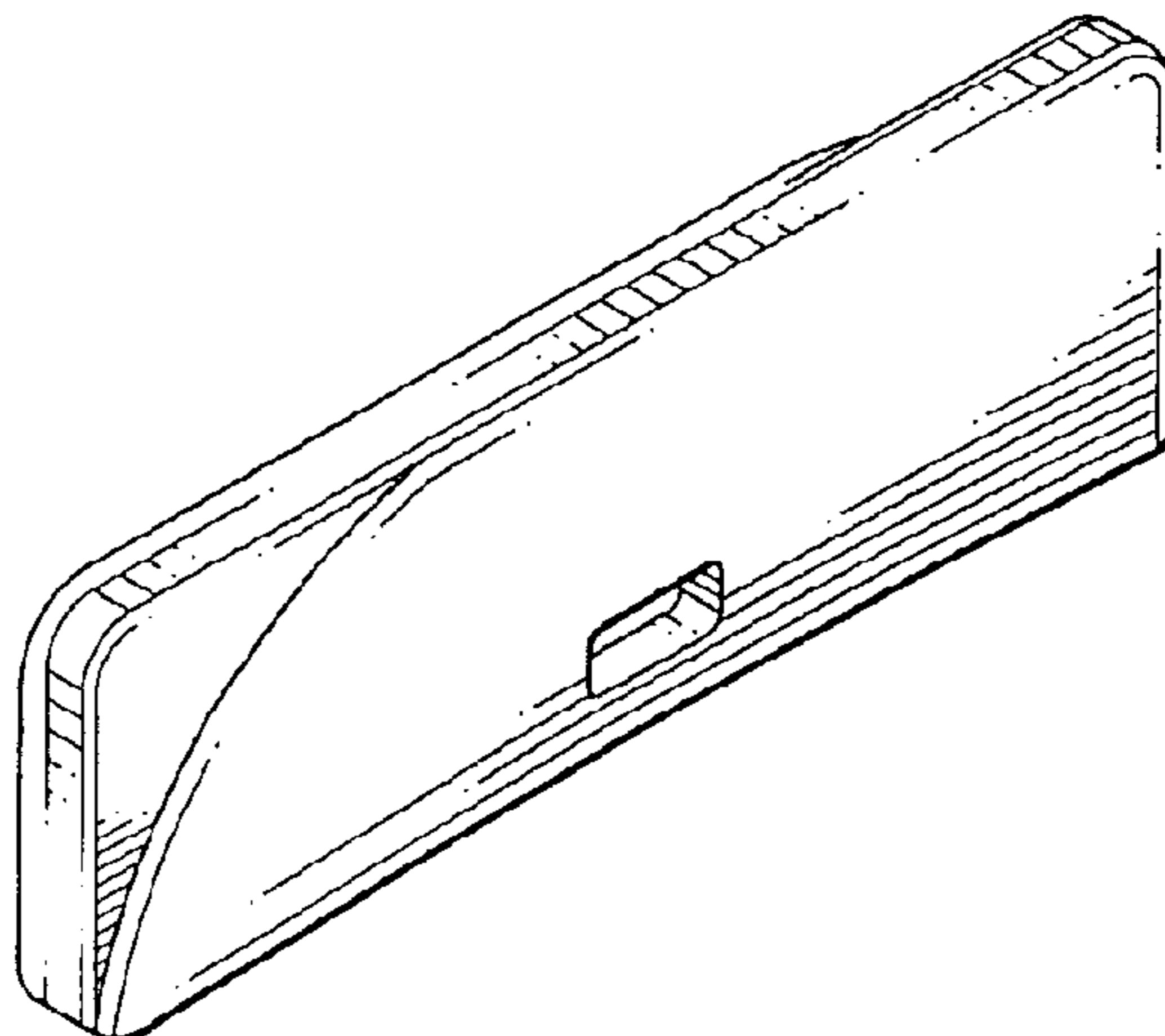


FIG. 21 is an isometric view of a fifth embodiment of a size indicator for a garment hanger;

FIG. 22 is an elevation view of a fifth embodiment of a size indicator for a garment hanger as viewed from either the front or the rear;

FIG. 23 is a plan view of a fifth embodiment of a size indicator for a garment hanger;

FIG. 24 is a bottom view of a fifth embodiment of a size indicator for a garment hanger;

FIG. 25 is a side elevation view of a fifth embodiment of a size indicator for a garment hanger as viewed from either the right side or the left side;

FIG. 26 is an isometric view of a sixth embodiment of a size indicator for a garment hanger;

FIG. 27 is an elevation view of a sixth embodiment of a size indicator for a garment hanger as viewed from either the front or the rear;

FIG. 28 is a plan view of a sixth embodiment of a size indicator for a garment hanger;

FIG. 29 is a bottom view of a sixth embodiment of a size indicator for a garment hanger;

FIG. 30 is a side elevation view of a sixth embodiment of a size indicator for a garment hanger as viewed from either the right side or the left side;

FIG. 31 is an isometric view of a seventh embodiment of a size indicator for a garment hanger;

FIG. 32 is an elevation view of a seventh embodiment of a size indicator for a garment hanger as viewed from either the front or the rear;

FIG. 33 is a plan view of a seventh embodiment of a size indicator for a garment hanger;

FIG. 34 is a bottom view of a seventh embodiment of a size indicator for a garment hanger;

FIG. 35 is a side elevation view of a seventh embodiment of a size indicator for a garment hanger as viewed from either the right side or the left side;

FIG. 36 is an isometric view of a eighth embodiment of a size indicator for a garment hanger;

FIG. 37 is an elevation view of a eighth embodiment of a size indicator for a garment hanger as viewed from either the front or the rear;

FIG. 38 is a plan view of a eighth embodiment of a size indicator for a garment hanger;

FIG. 39 is a bottom view of a eighth embodiment of a size indicator for a garment hanger;

FIG. 40 is a side elevation view of a eighth embodiment of a size indicator for a garment hanger as viewed from either the right side or the left side;

FIG. 41 is an isometric view of a ninth embodiment of a size indicator for a garment hanger;

FIG. 42 is an elevation view of a ninth embodiment of a size indicator for a garment hanger as viewed from either the front or the rear;

FIG. 43 is a plan view of a ninth embodiment of a size indicator for a garment hanger;

FIG. 44 is a bottom view of a ninth embodiment of a size indicator for a garment hanger;

FIG. 45 is a side elevation view of a ninth embodiment of a size indicator for a garment hanger as viewed from either the right side or the left side;

FIG. 46 is an isometric view of a tenth embodiment of a size indicator for a garment hanger;

FIG. 47 is an elevation view of a tenth embodiment of a size indicator for a garment hanger as viewed from either the front or the rear;

FIG. 48 is a plan view of a tenth embodiment of a size indicator for a garment hanger;

FIG. 49 is a bottom view of a tenth embodiment of a size indicator for a garment hanger; and,

FIG. 50 is a side elevation view of a tenth embodiment of a size indicator for a garment hanger as viewed from either the right side or the left side.

1 Claim, 10 Drawing Sheets

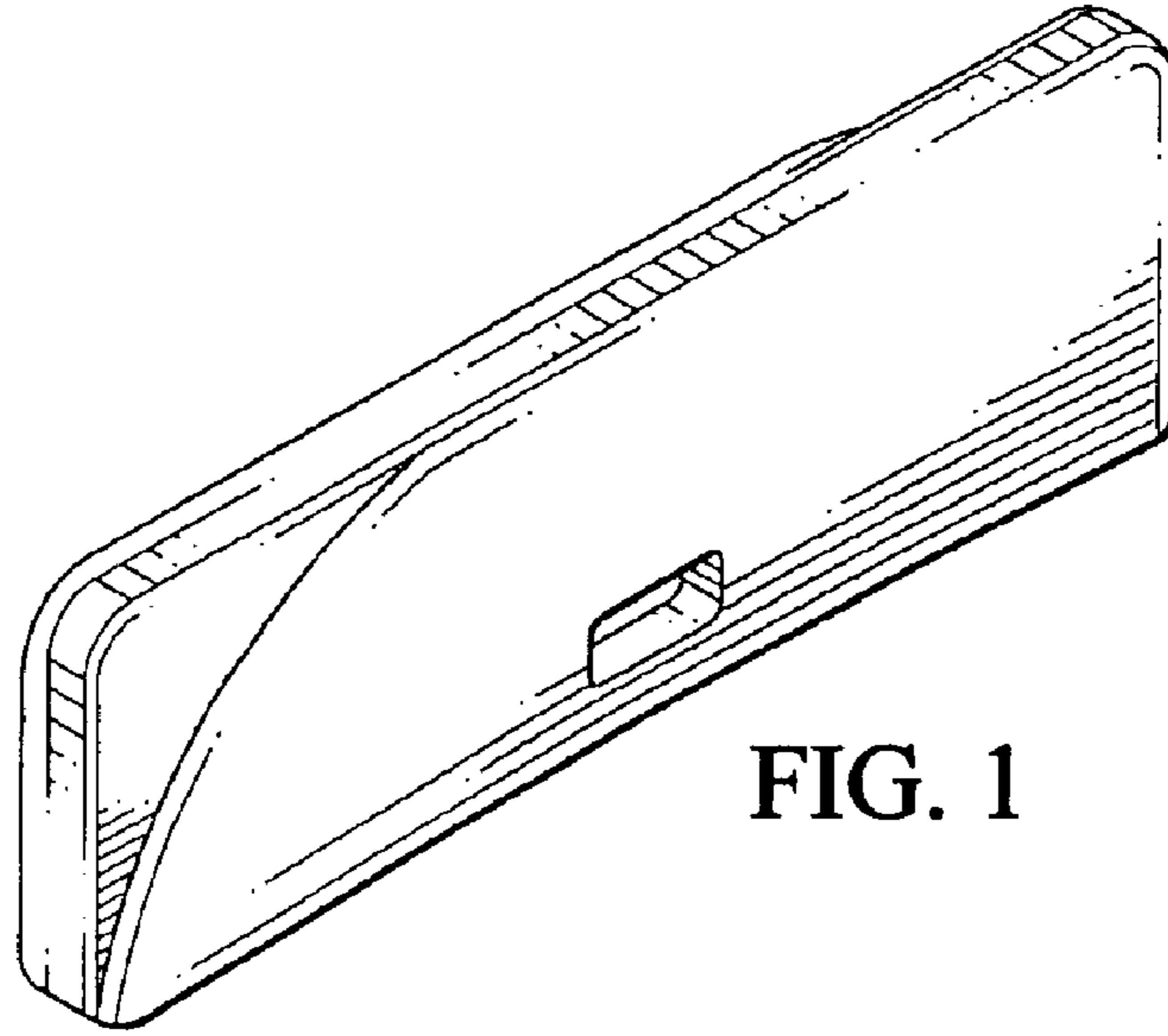


FIG. 1

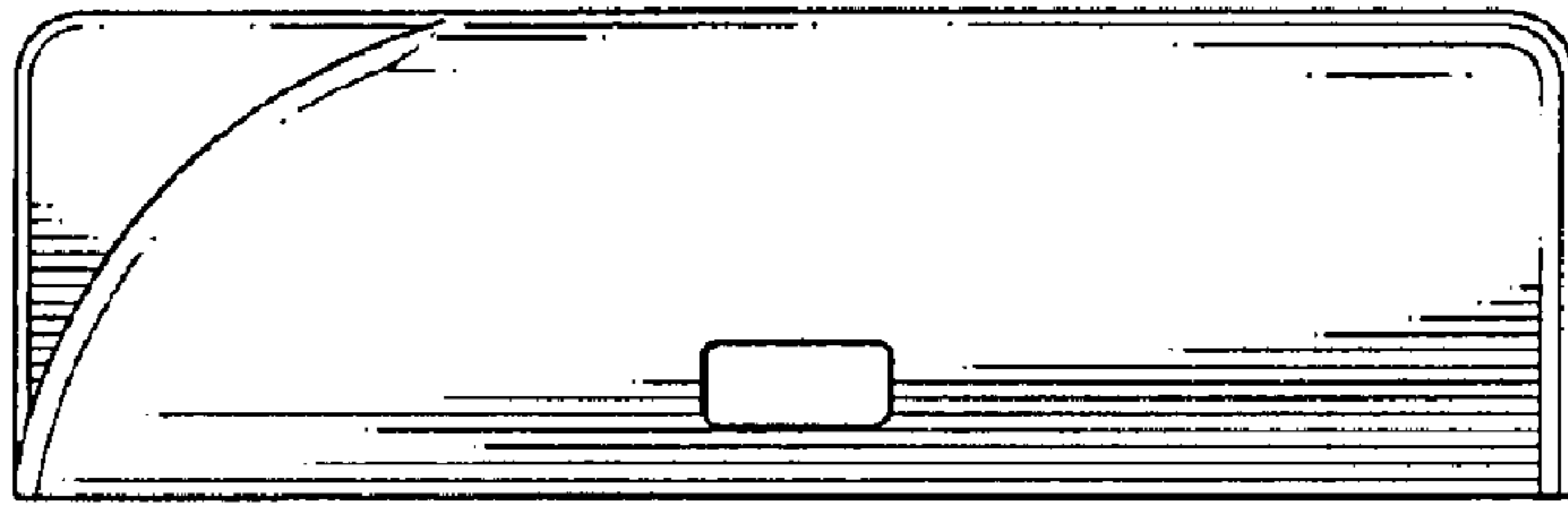


FIG. 2



FIG. 5

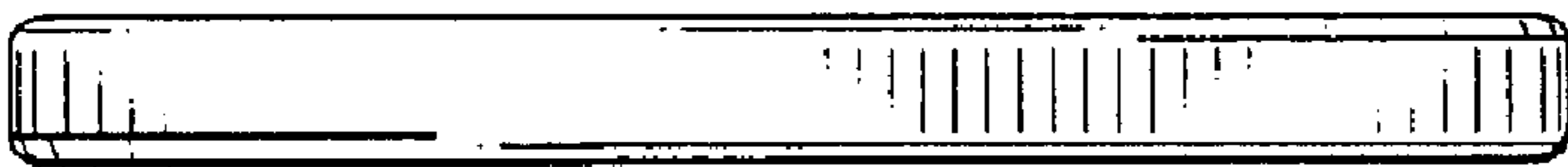


FIG. 3



FIG. 4

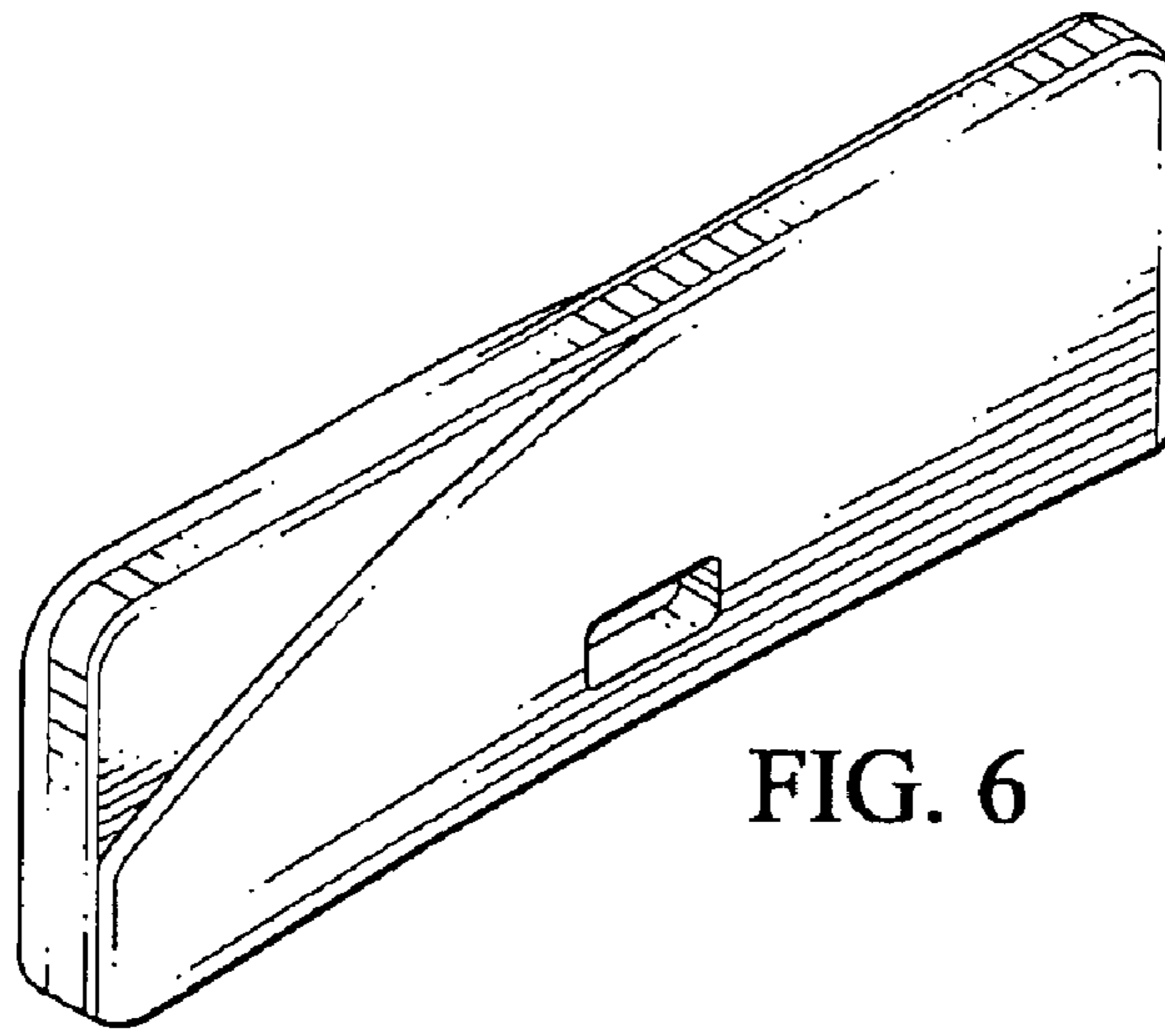


FIG. 6

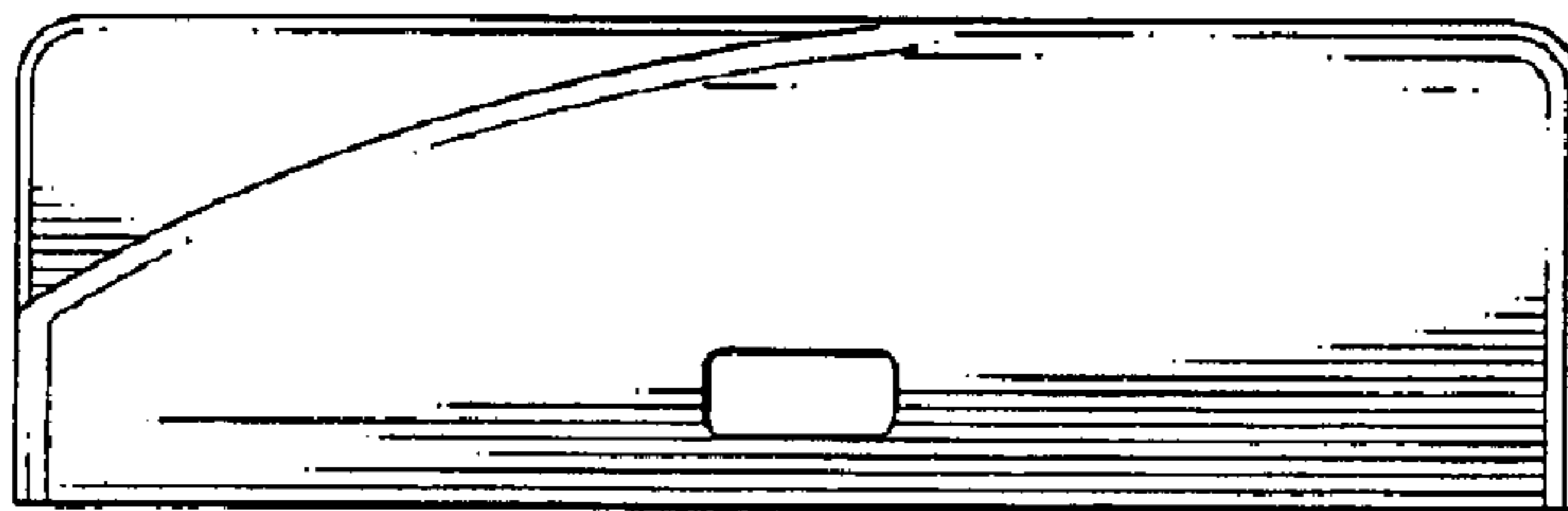


FIG. 7

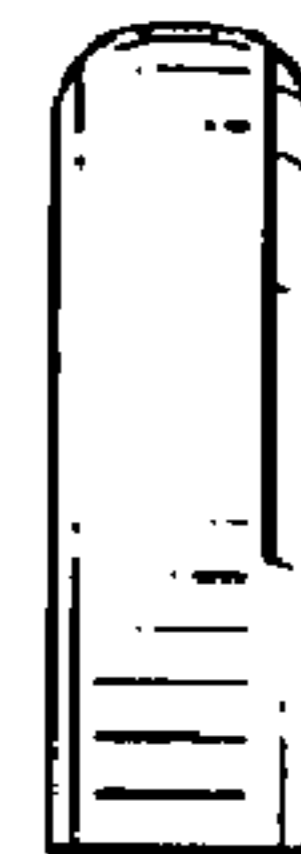


FIG. 10

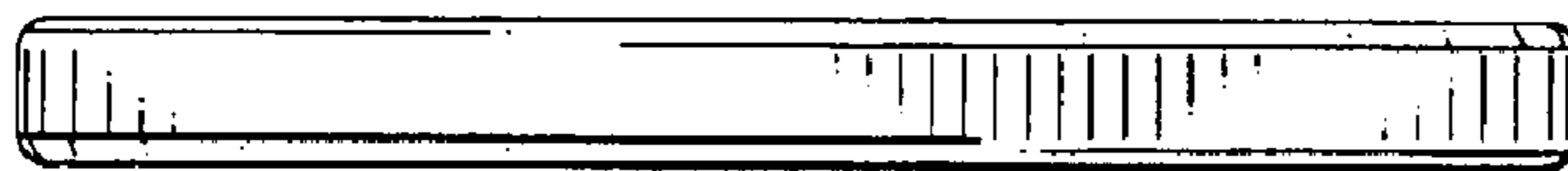


FIG. 8



FIG. 9

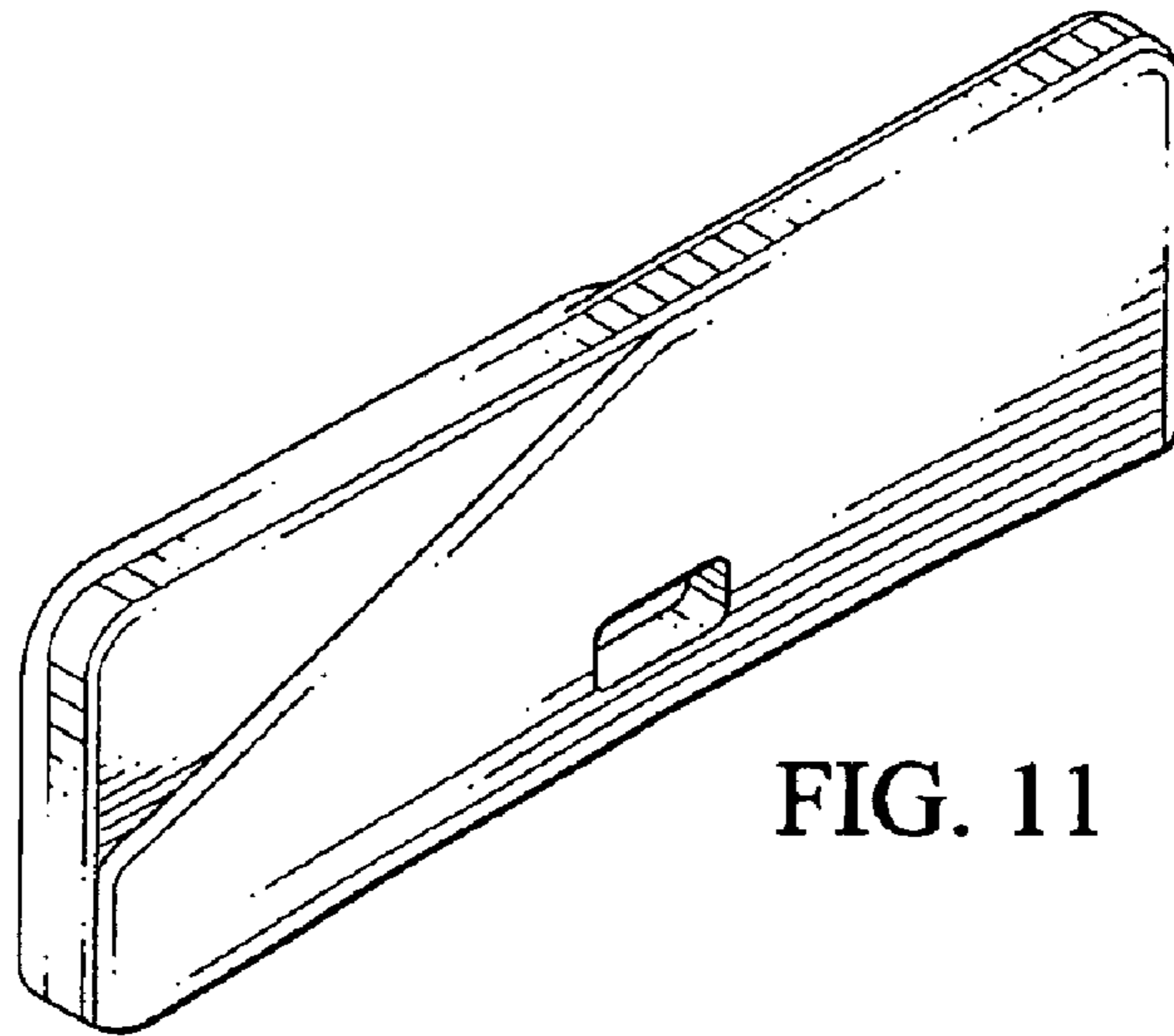


FIG. 11

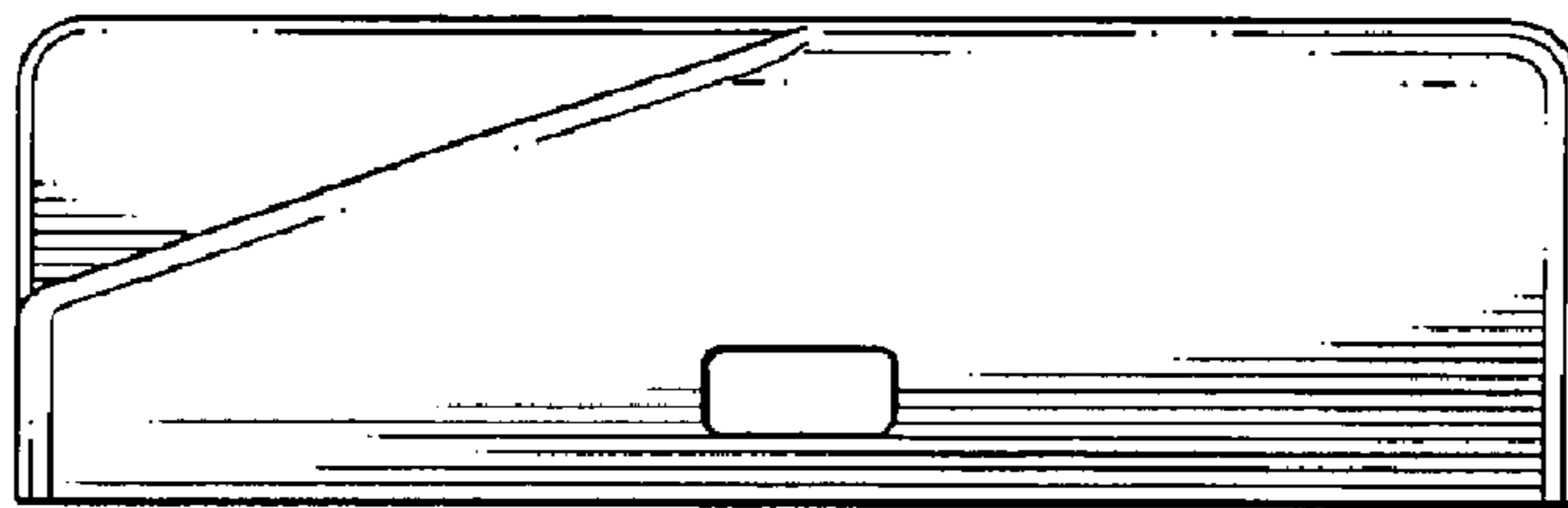


FIG. 12



FIG. 15

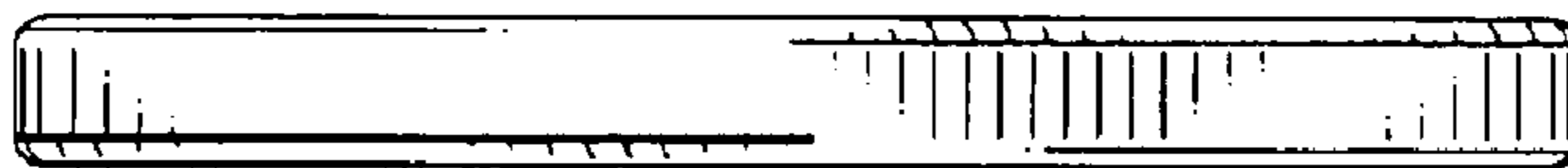


FIG. 13



FIG. 14

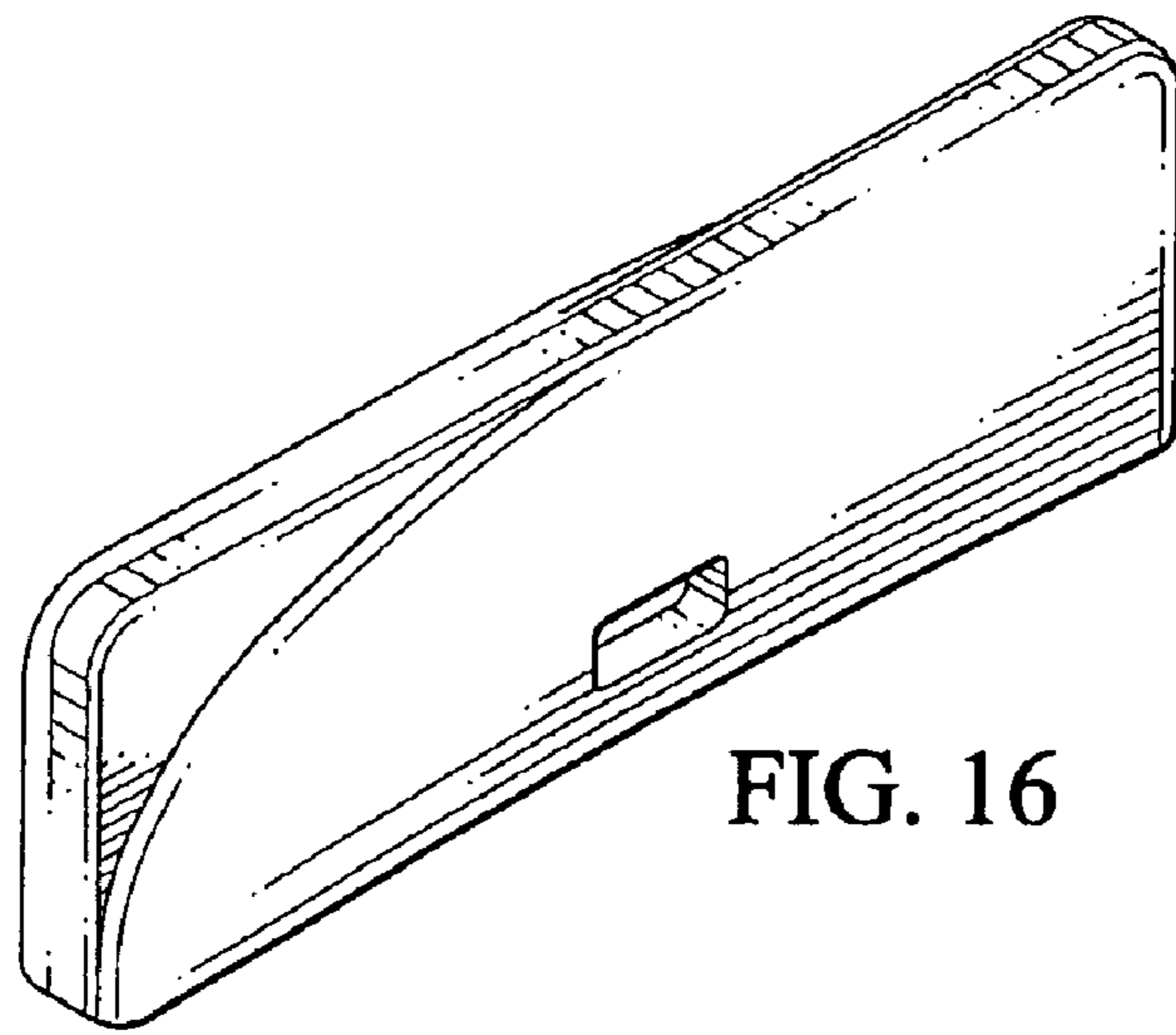


FIG. 16

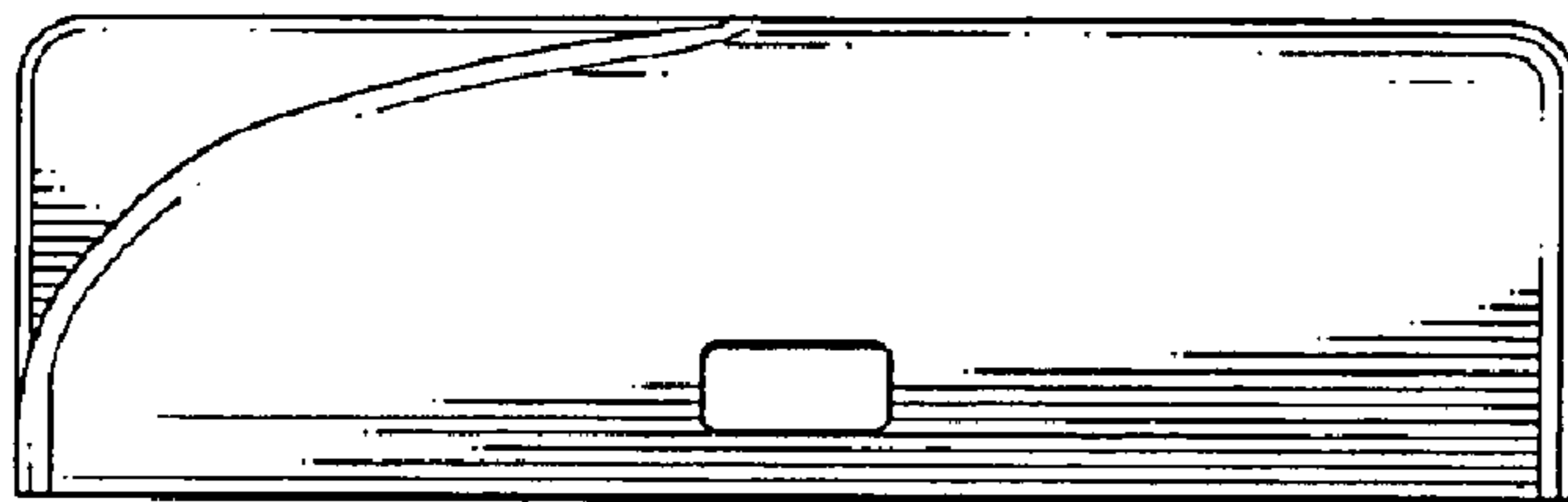


FIG. 17



FIG. 20



FIG. 18



FIG. 19

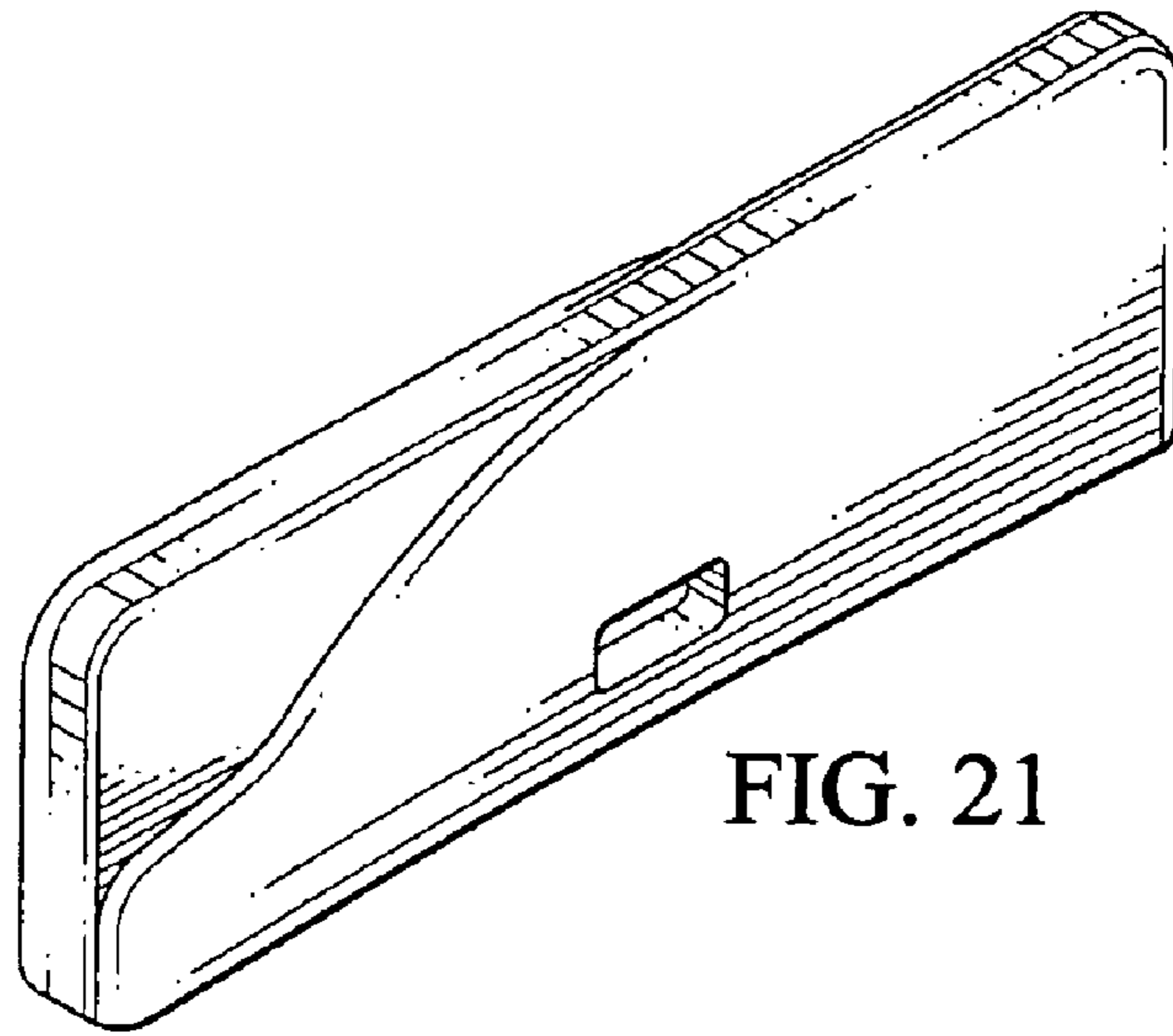


FIG. 21

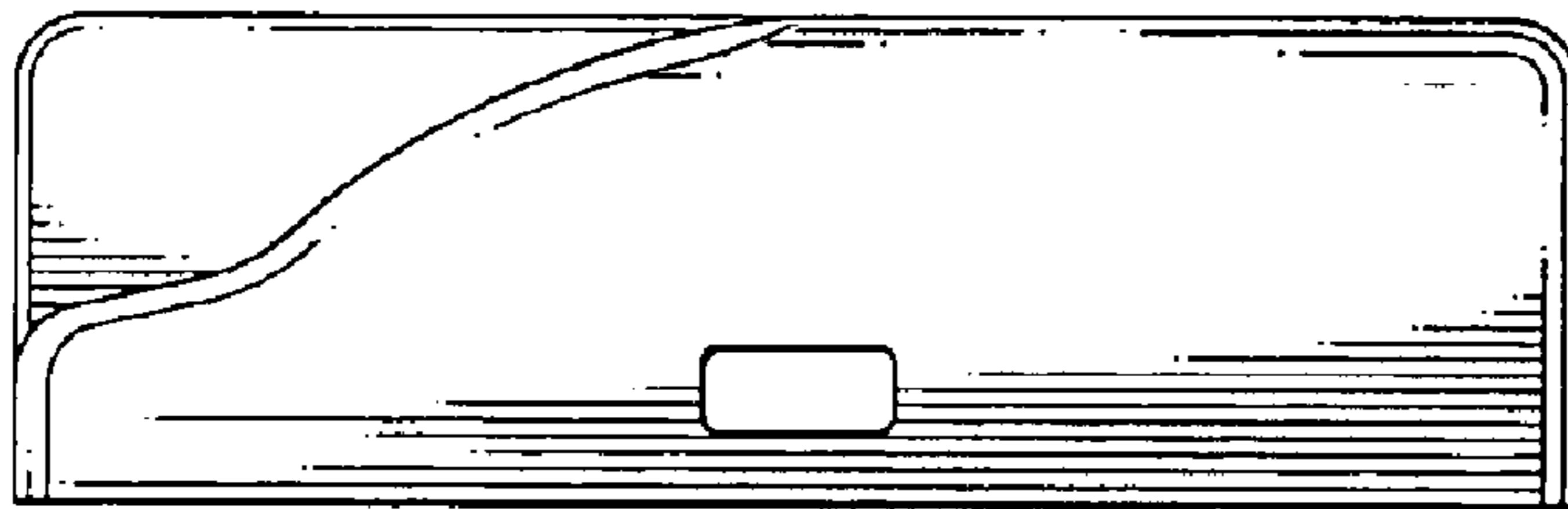


FIG. 22

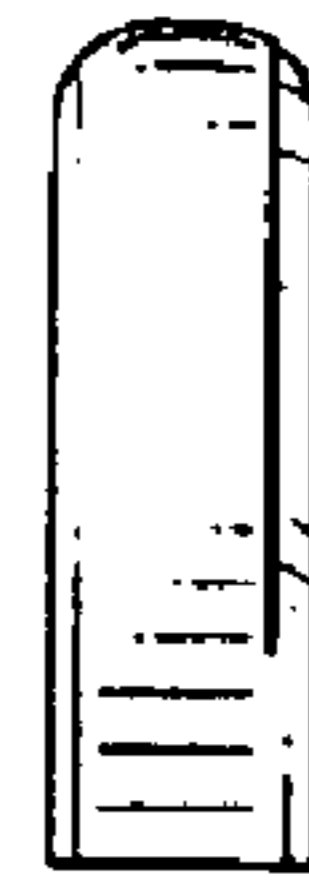


FIG. 25

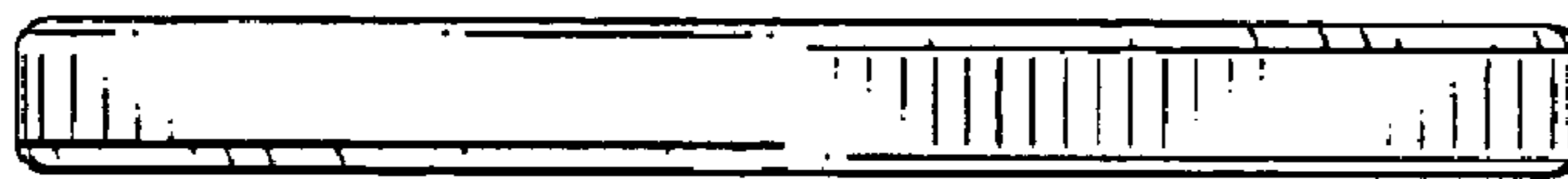


FIG. 23



FIG. 24

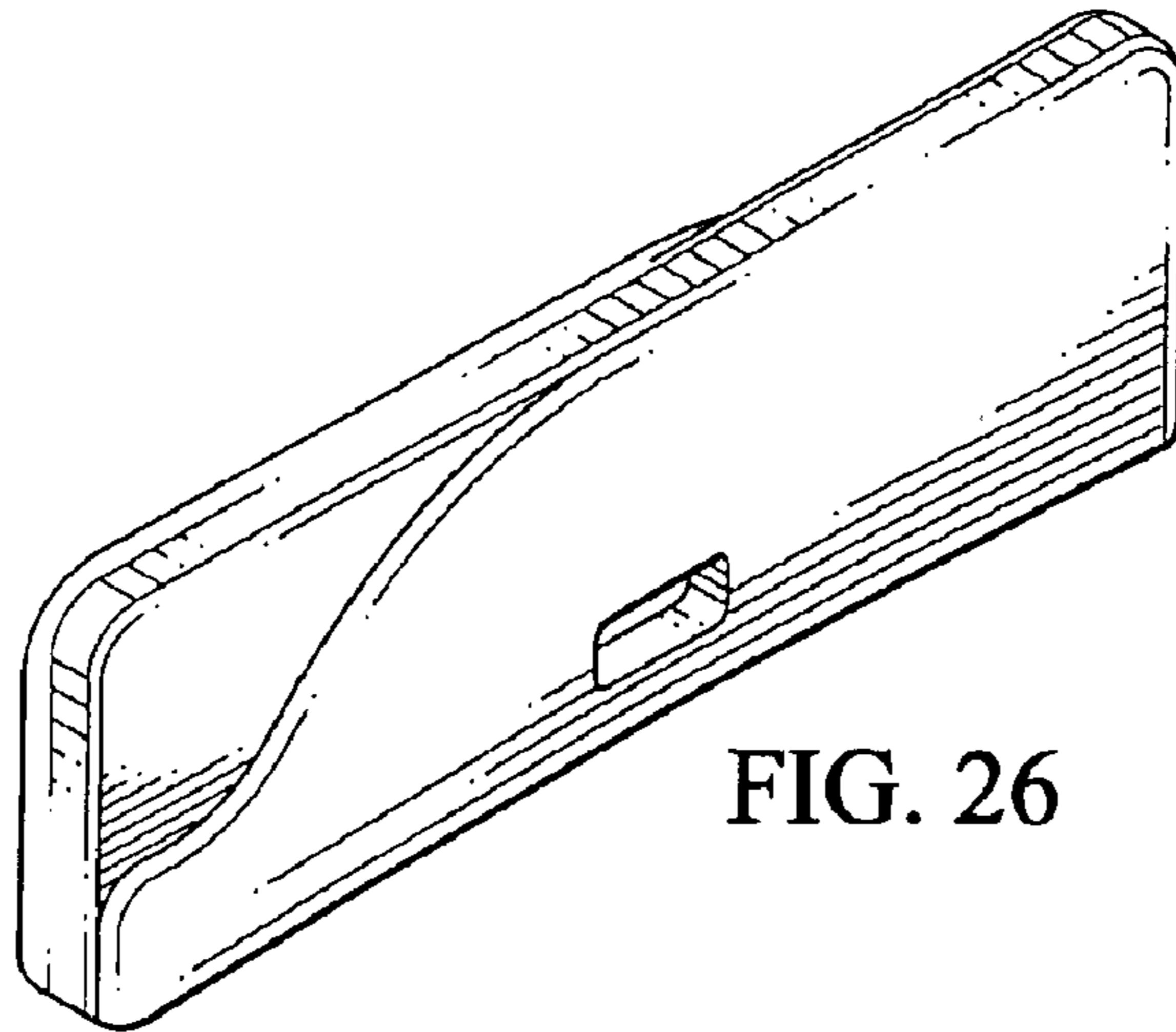


FIG. 26

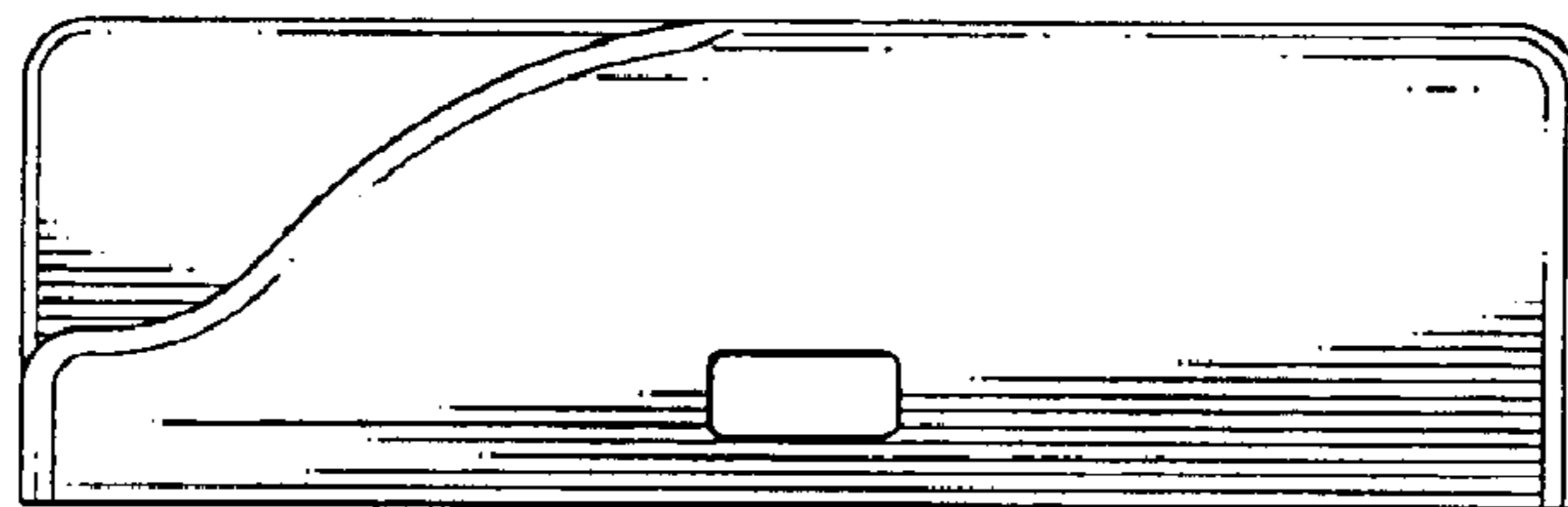


FIG. 27



FIG. 30

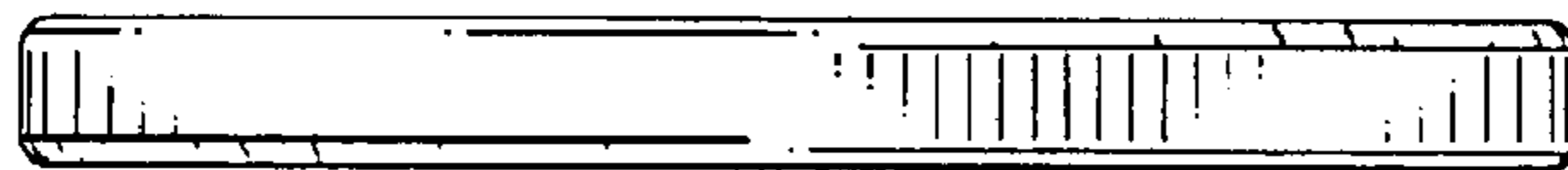


FIG. 28



FIG. 29

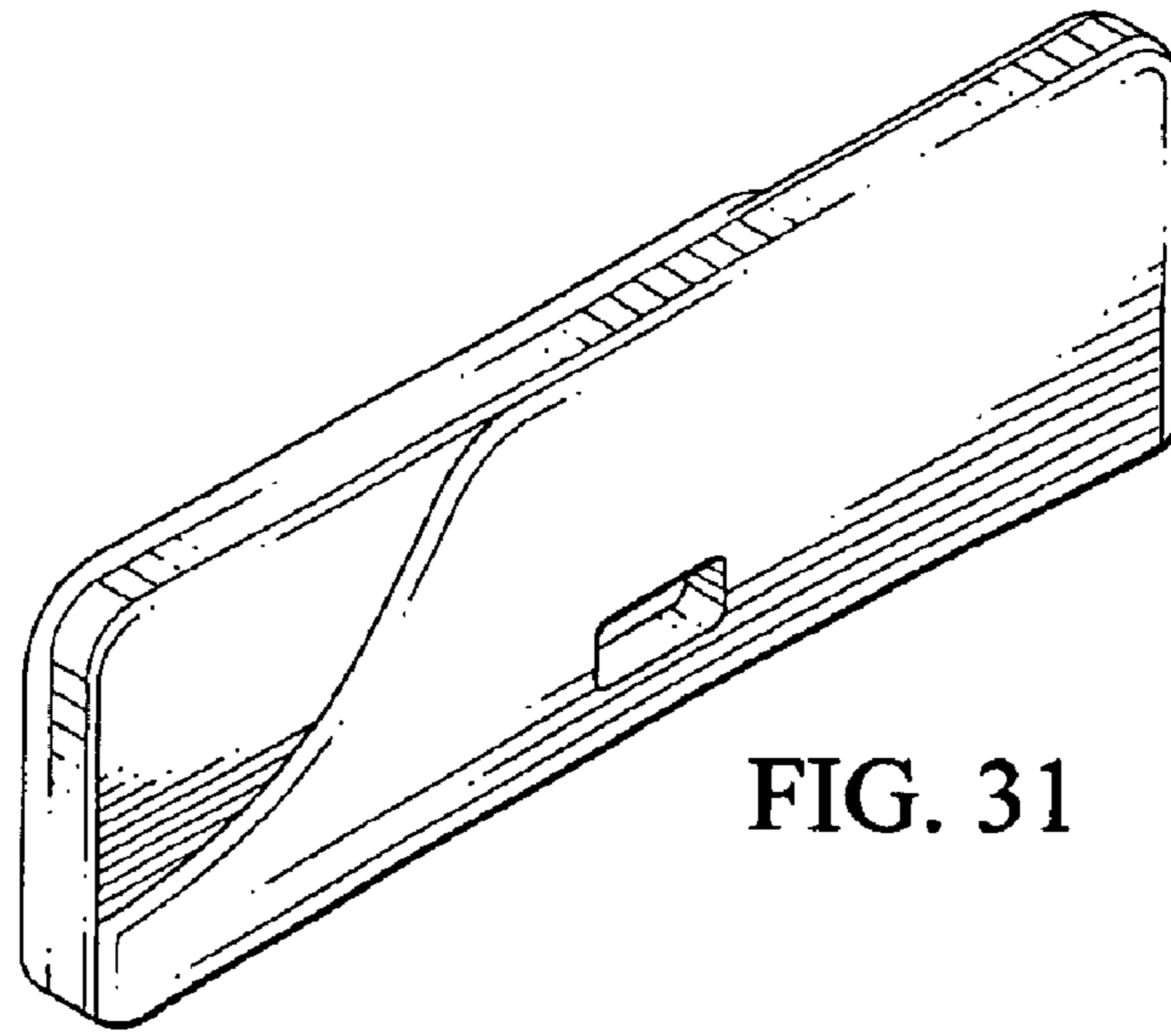


FIG. 31

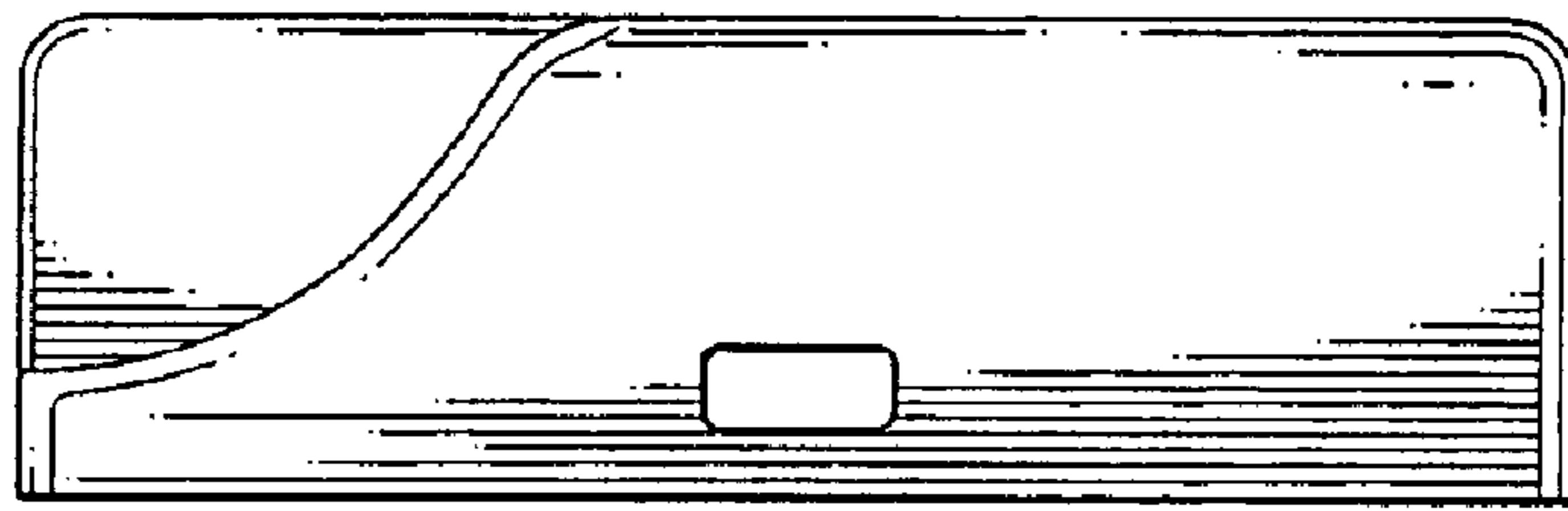


FIG. 32



FIG. 35

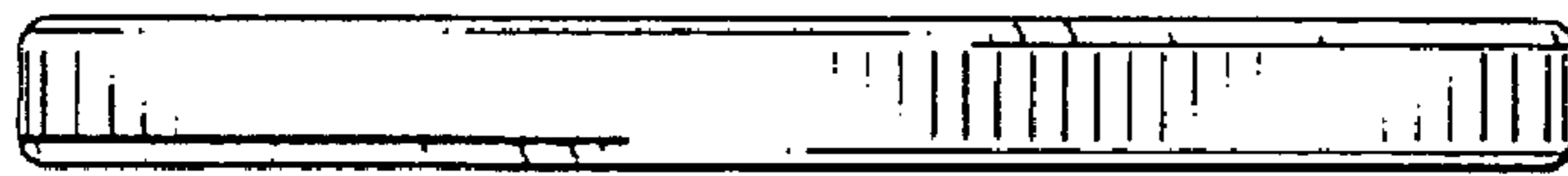


FIG. 33



FIG. 34

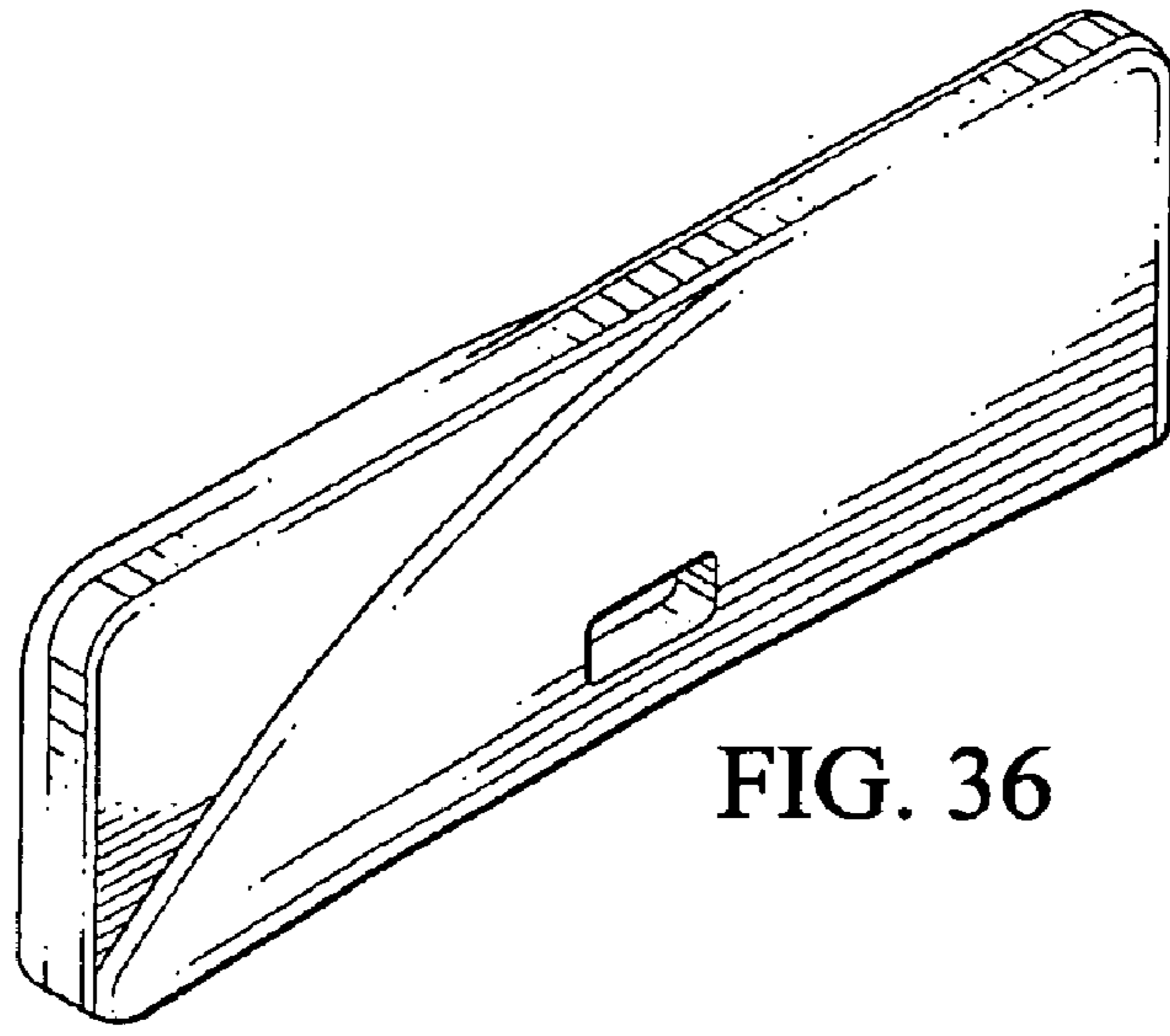


FIG. 36

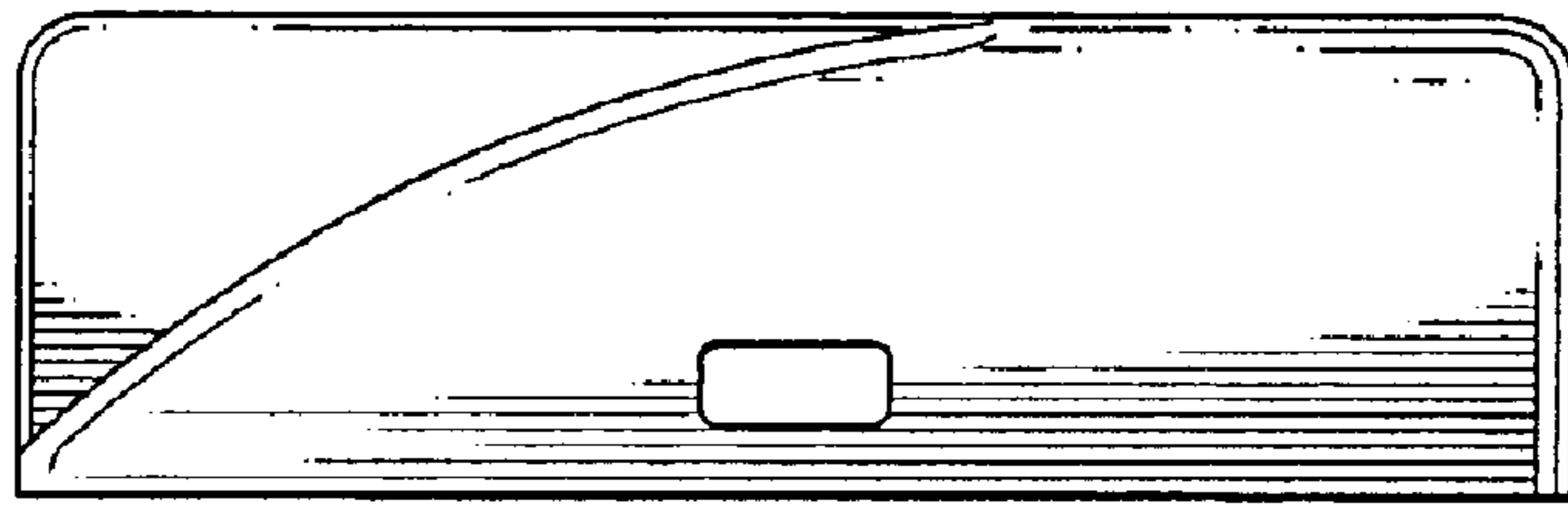


FIG. 37



FIG. 40

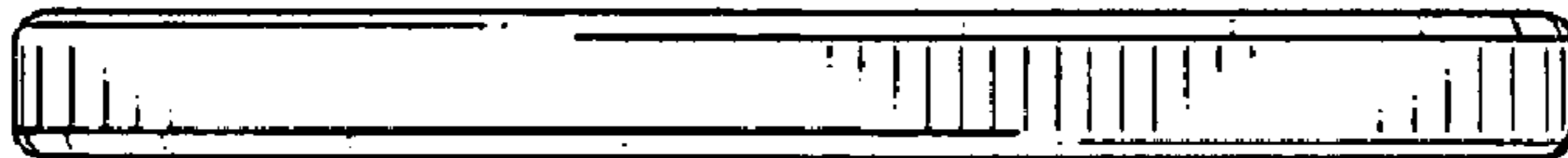


FIG. 38



FIG. 39

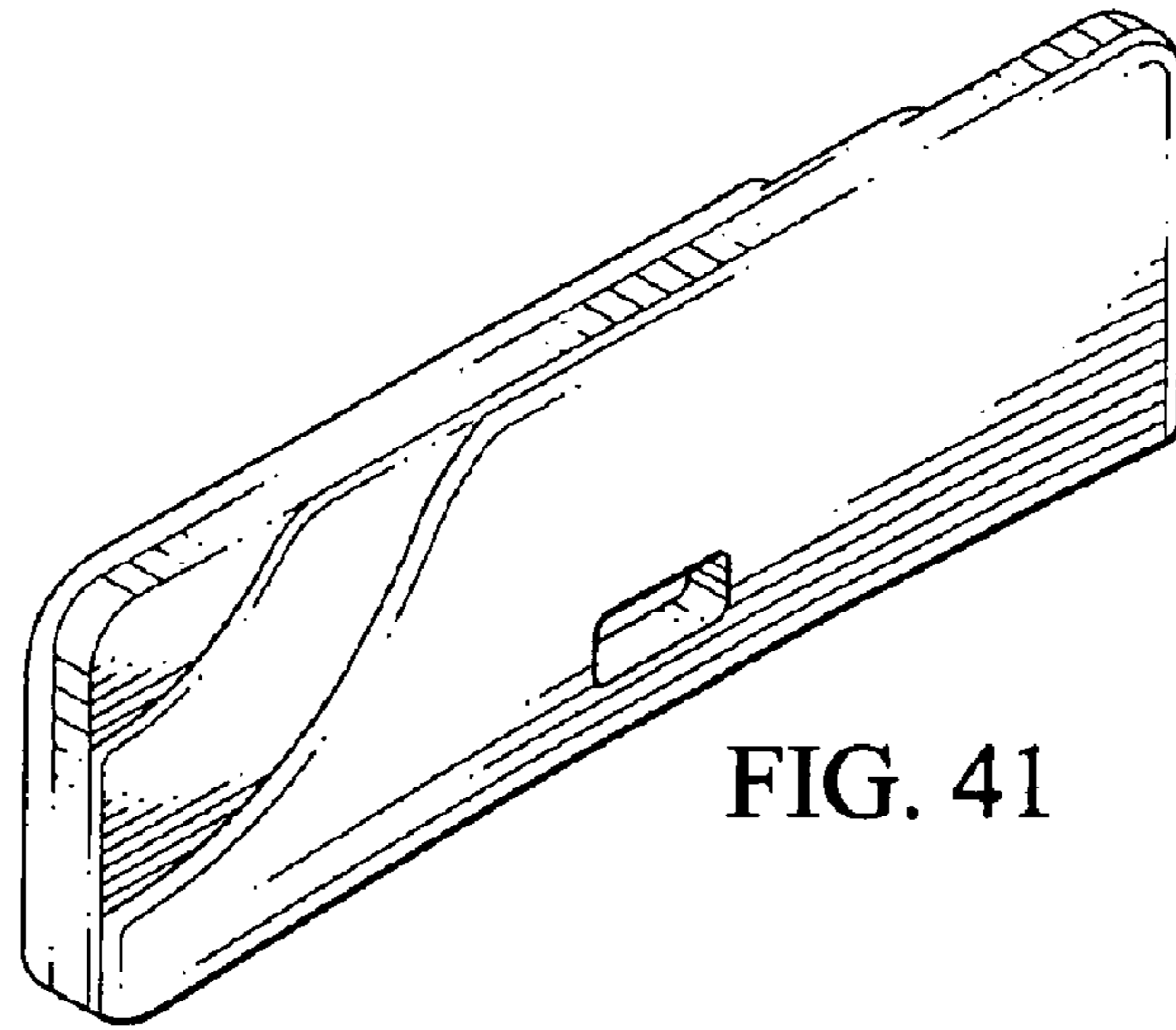


FIG. 41

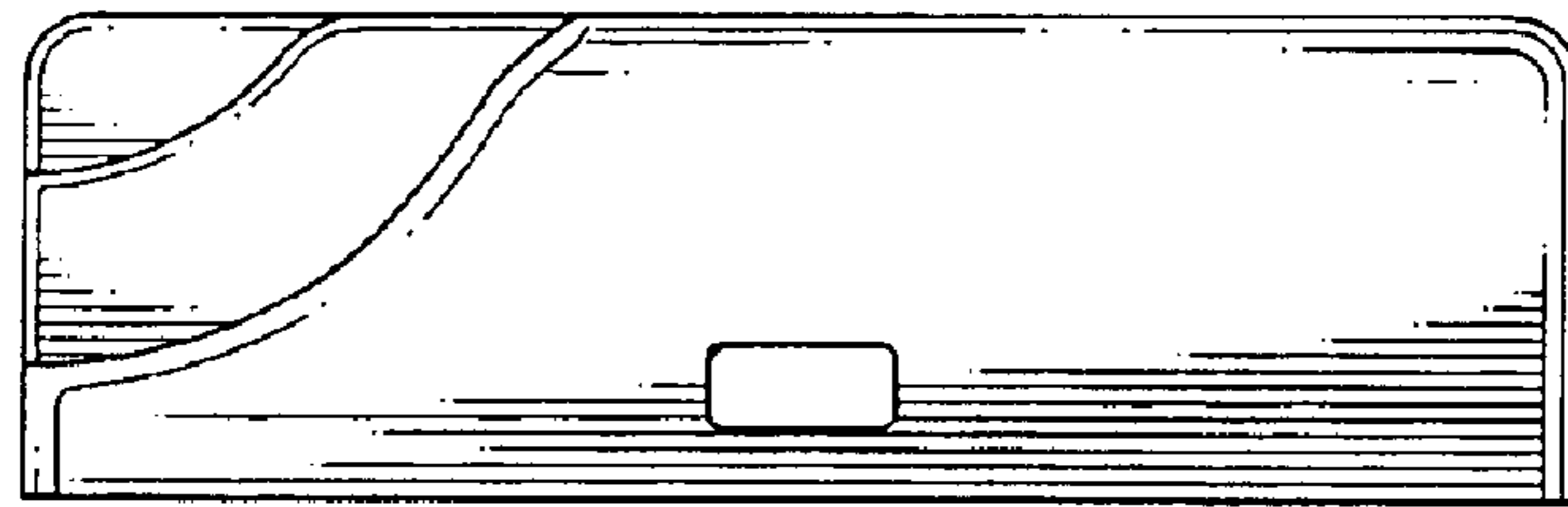


FIG. 42

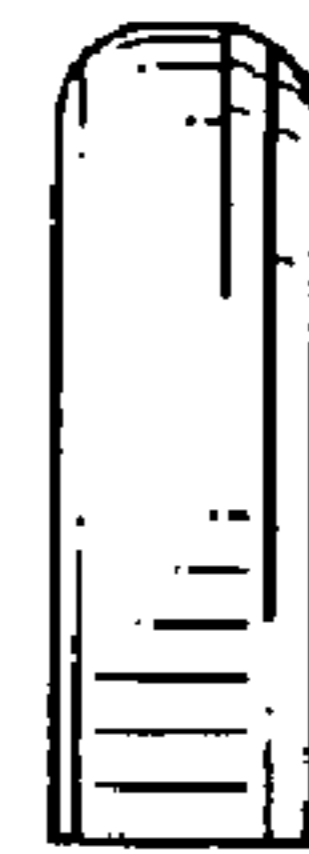


FIG. 45



FIG. 43



FIG. 44

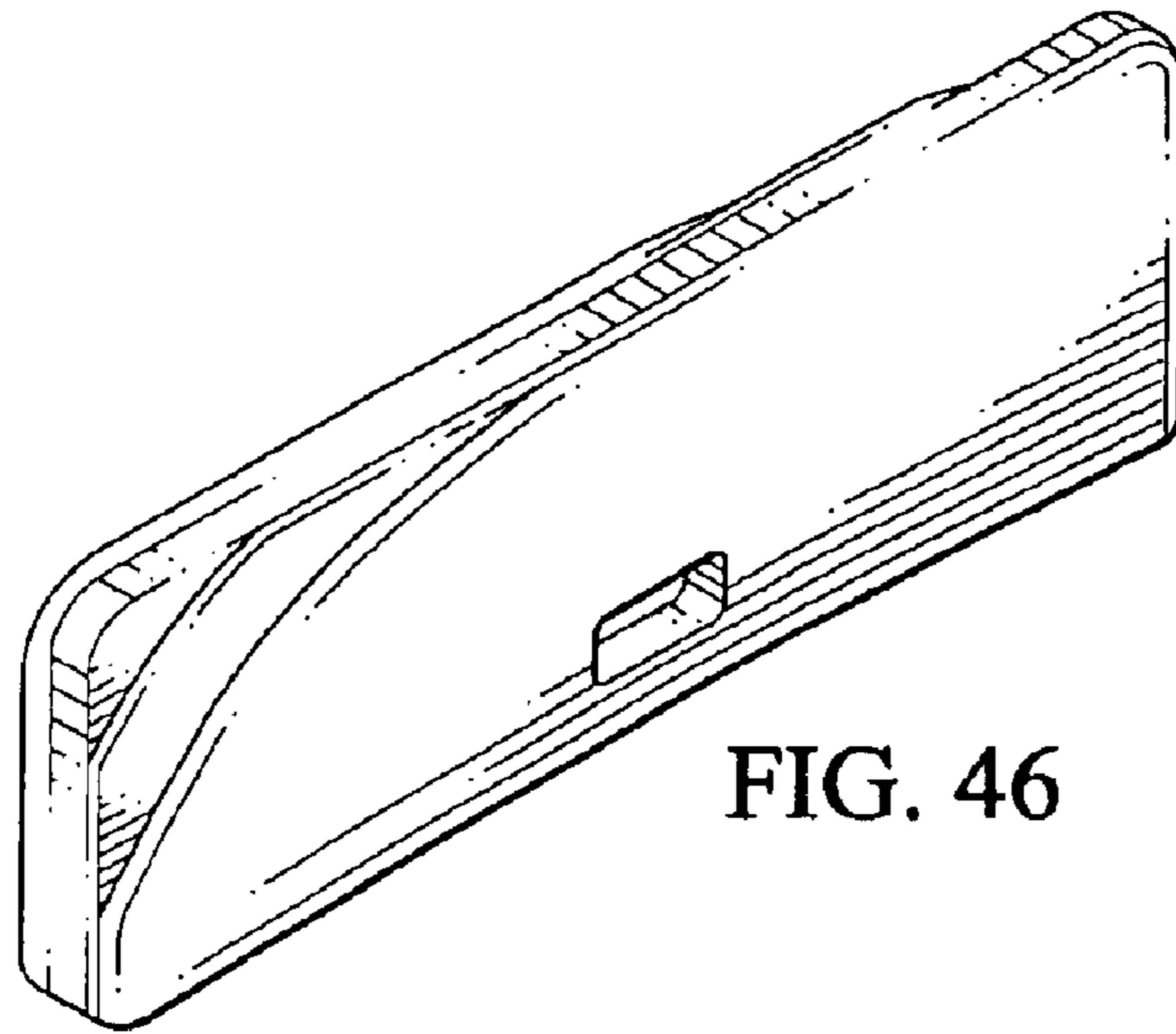


FIG. 46

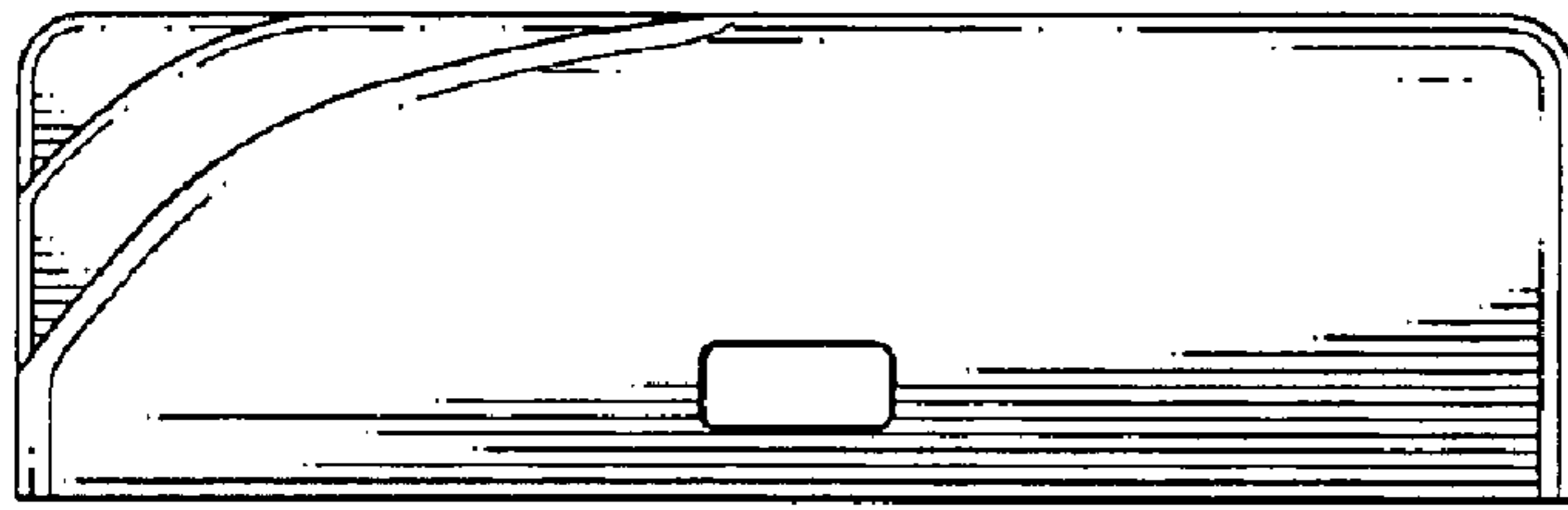


FIG. 47

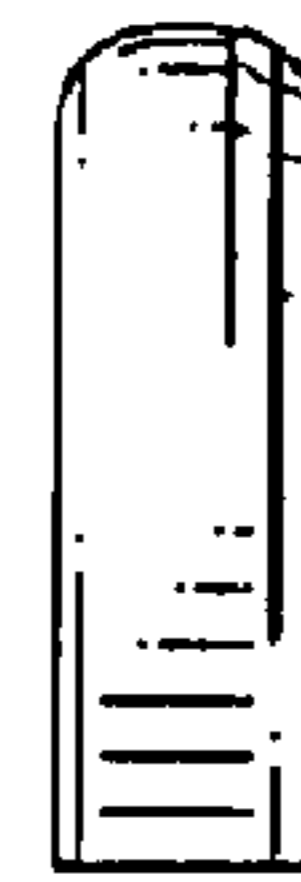


FIG. 50

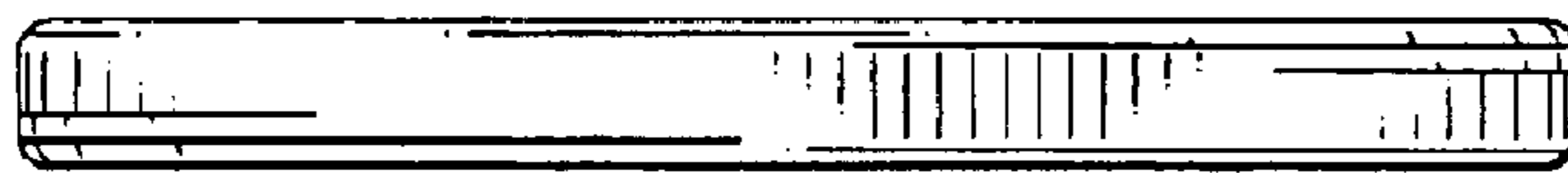


FIG. 48



FIG. 49