

US00D502647S

(12) **United States Design Patent** (10) **Patent No.:** **US D502,647 S**
McAlpine et al. (45) **Date of Patent:** **** Mar. 8, 2005**

(54) **CONTAINER WITH CORNER POSTS**

(76) Inventors: **Gilroy Clements McAlpine**, c/o Chemcraft (Pty) Limited, Factory No. 2, 507 Pretoria Road, Fairleads, Benoni, 1501 (ZA); **Alexander John Bronkhorst**, c/o Chemcraft (Pty) Limited, Factory No. 2, 507 Pretoria Road, Fairleads, Benoni, 1501 (ZA)

(**) Term: **14 Years**

(21) Appl. No.: **29/166,811**

(22) Filed: **Sep. 3, 2002**

(30) **Foreign Application Priority Data**

Mar. 1, 2002 (ZA) A2002/00243

(51) **LOC (7) Cl.** **09-03**

(52) **U.S. Cl.** **D9/432**

(58) **Field of Search** D9/414, 418, 432, D9/499; 206/485, 515, 784, 527, 815; 220/9.1, 9.2, 9.3, 475, 62, 639, 641, 646, 647, 890, 913; 229/100, 117.01, 120, 120.1

(56) **References Cited**

U.S. PATENT DOCUMENTS

D29,645 S * 11/1898 Waldeck

3,209,905 A * 10/1965 Kean, Sr. 206/62
 3,669,298 A * 6/1972 Silver et al. 220/4.01
 3,702,676 A * 11/1972 Stephens et al. 229/14 C
 3,850,295 A * 11/1974 Black 206/304
 D352,453 S * 11/1994 Bacchetti et al. D9/418
 D359,681 S * 6/1995 Murphy D9/418
 2002/0060163 A1 * 5/2002 Takahashi 206/386

* cited by examiner

Primary Examiner—Philip S. Hyder

Assistant Examiner—Daniel Bui

(74) *Attorney, Agent, or Firm*—Ostrolenk, Faber, Gerb & Soffen, LLP

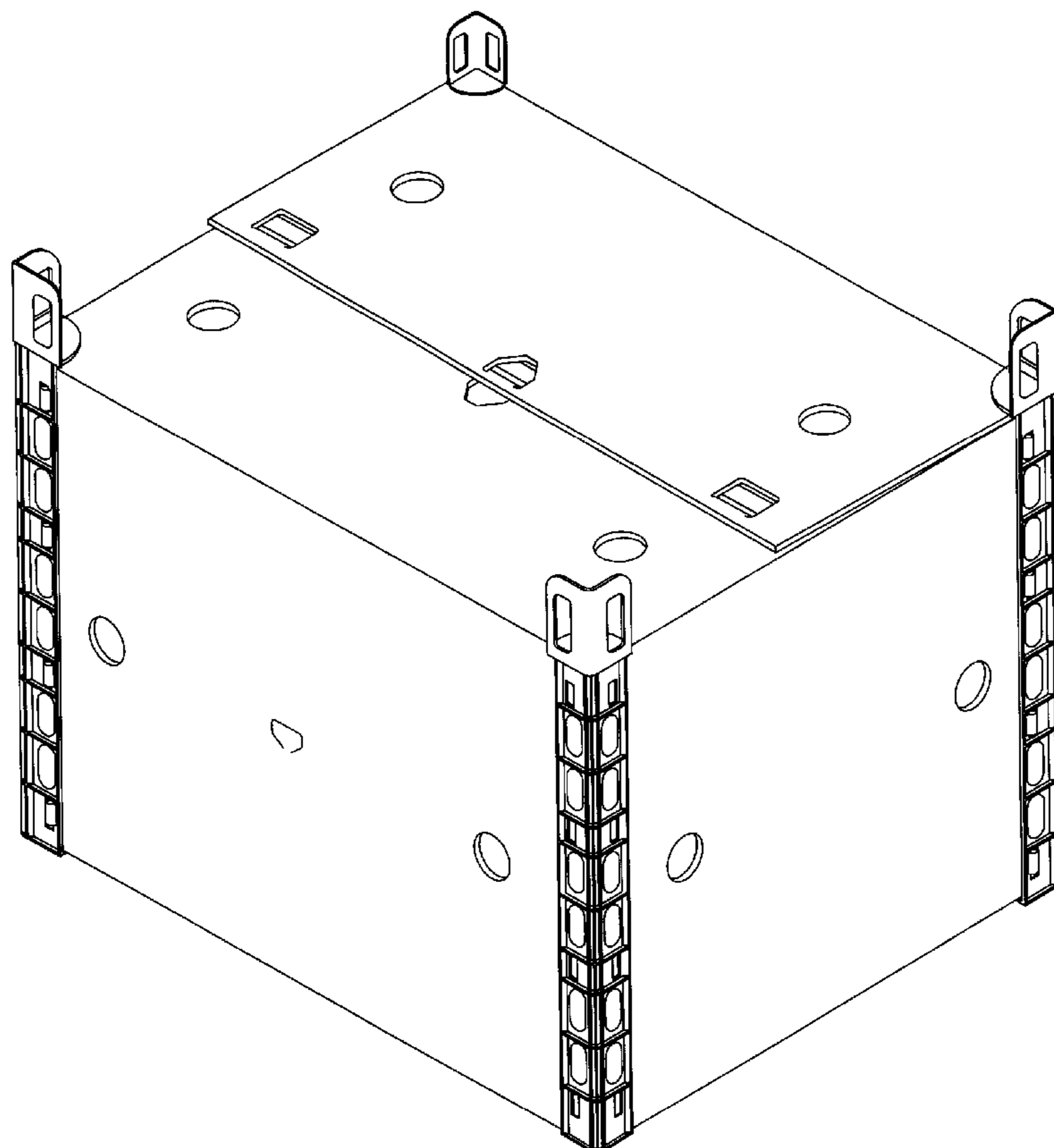
(57) **CLAIM**

The ornamental design for a container with corner posts, as shown and described.

DESCRIPTION

FIG. 1 is a front perspective view of a container with corner posts showing our new design;
 FIG. 2 is a top view thereof;
 FIG. 3 is a bottom view thereof;
 FIG. 4 is a front view thereof;
 FIG. 5 is a rear view thereof;
 FIG. 6 is a right side view thereof; and,
 FIG. 7 is a left side view thereof.

1 Claim, 4 Drawing Sheets



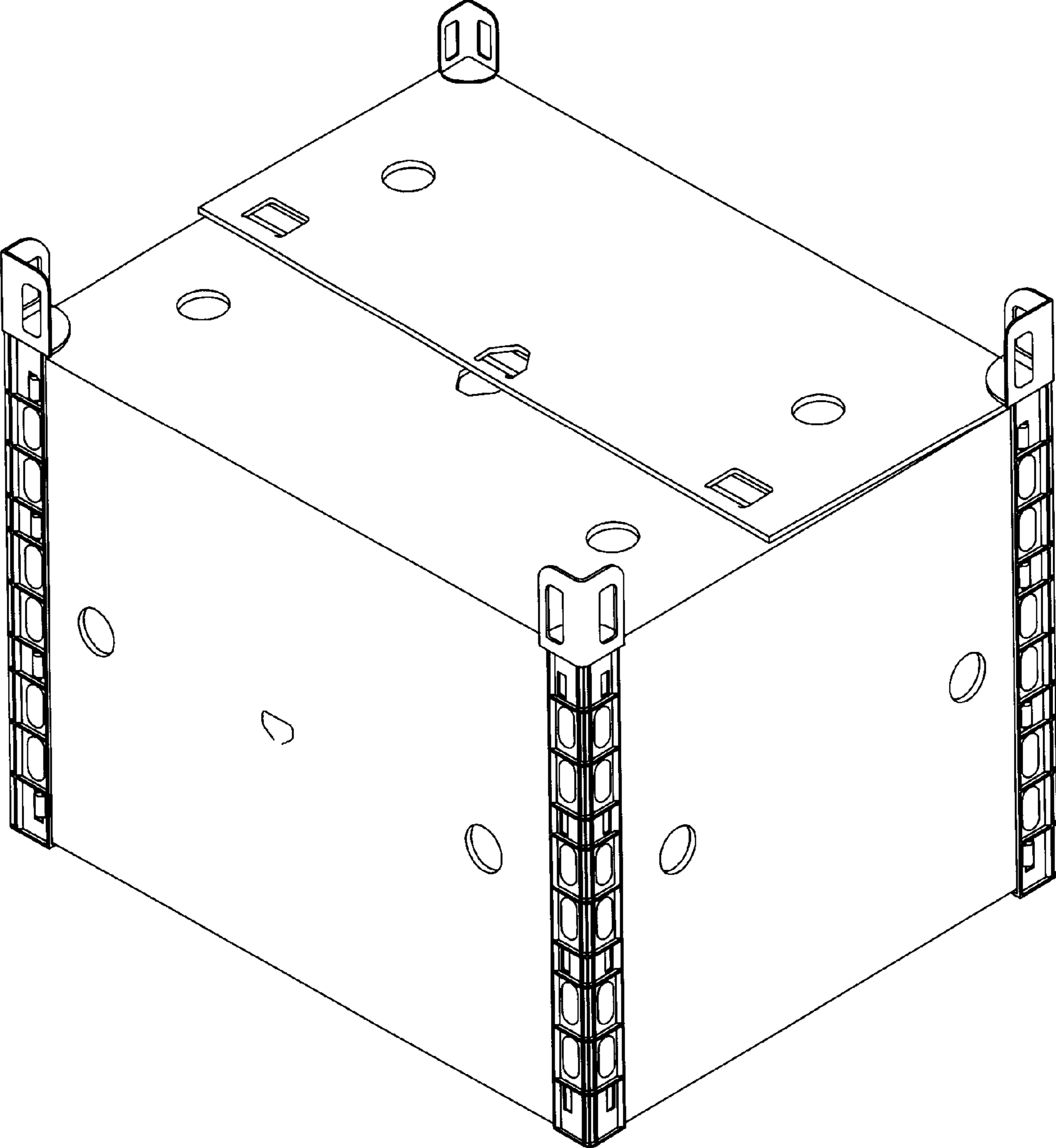


FIG. 1

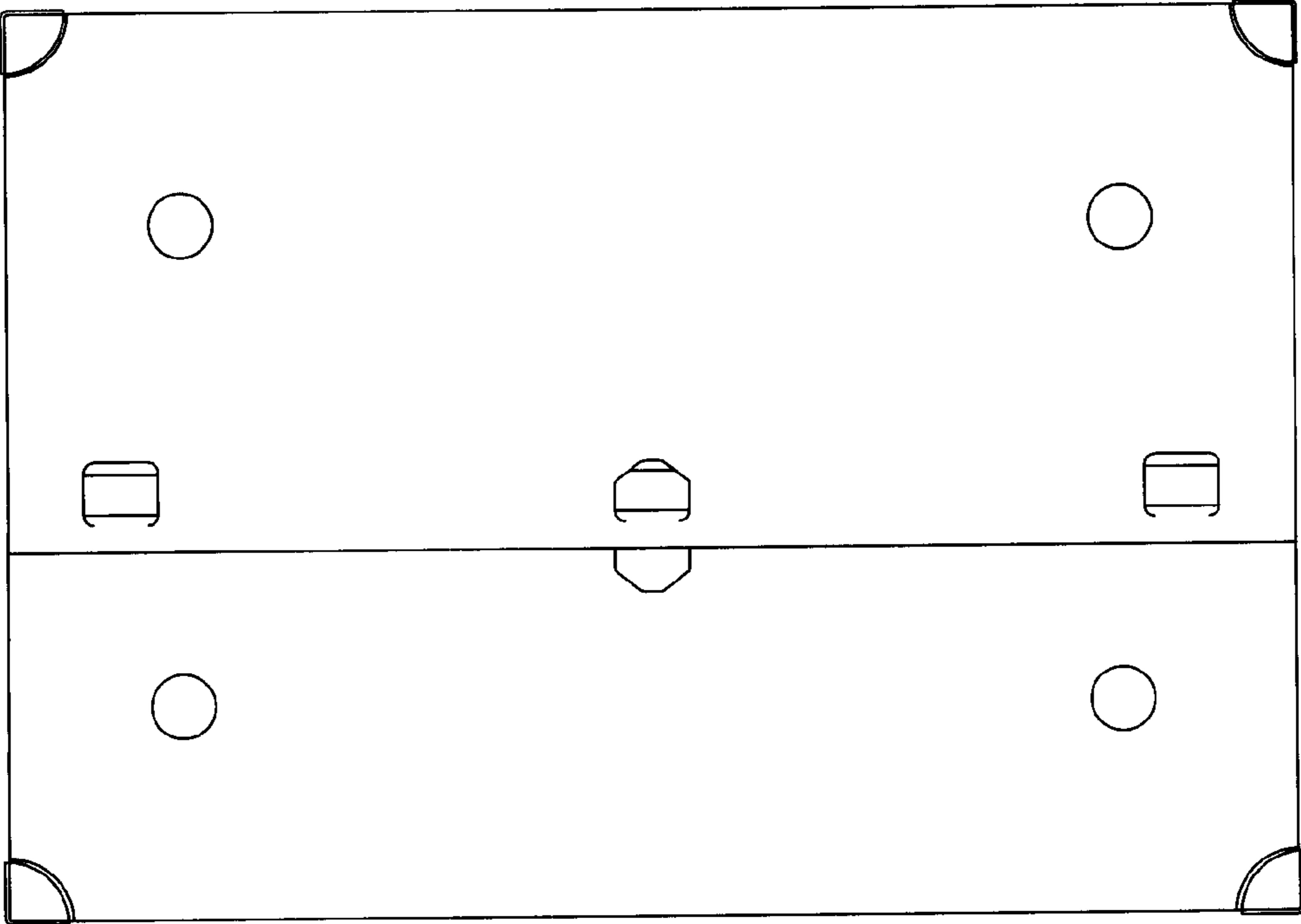


FIG. 2

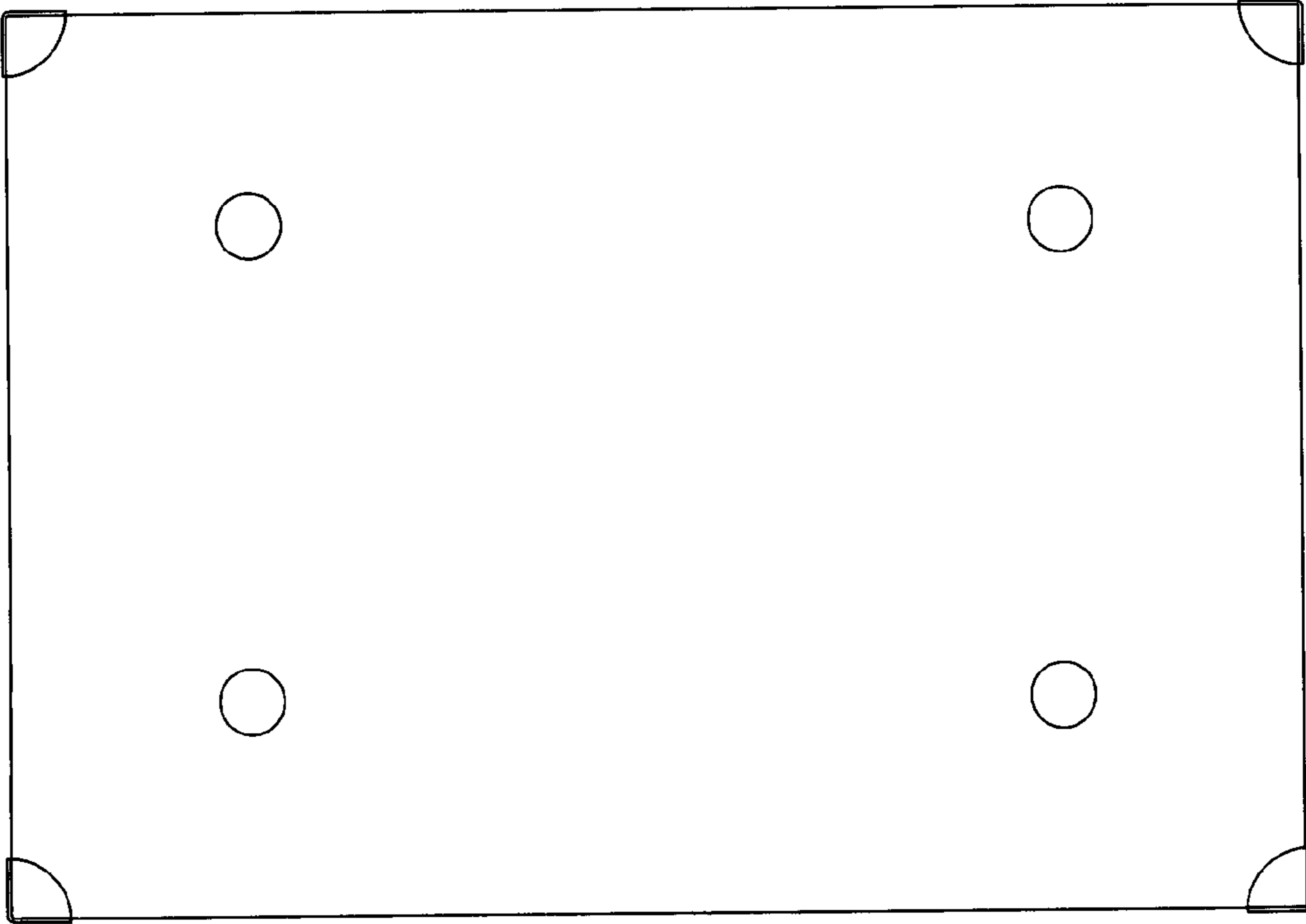


FIG. 3

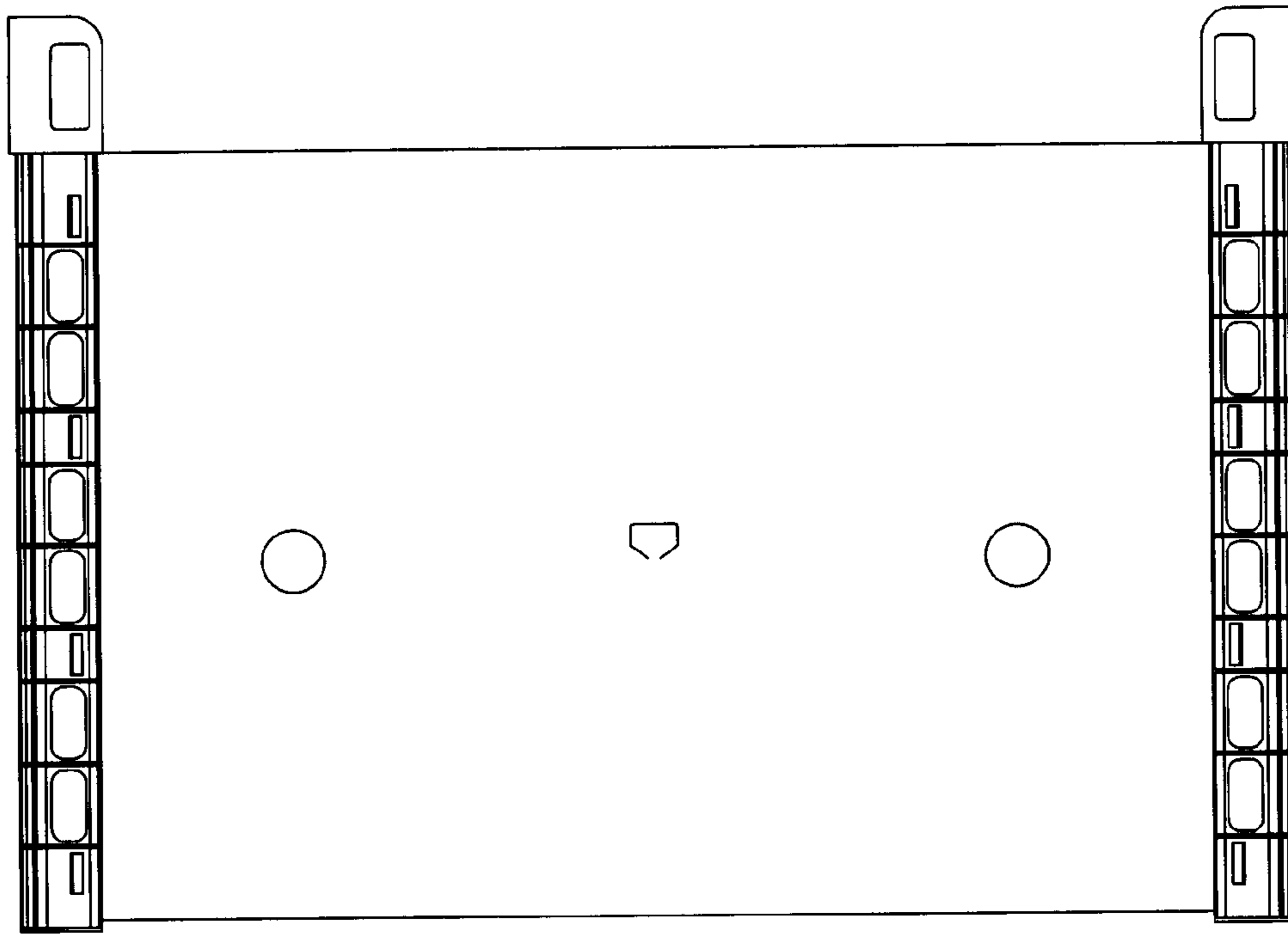


FIG. 4

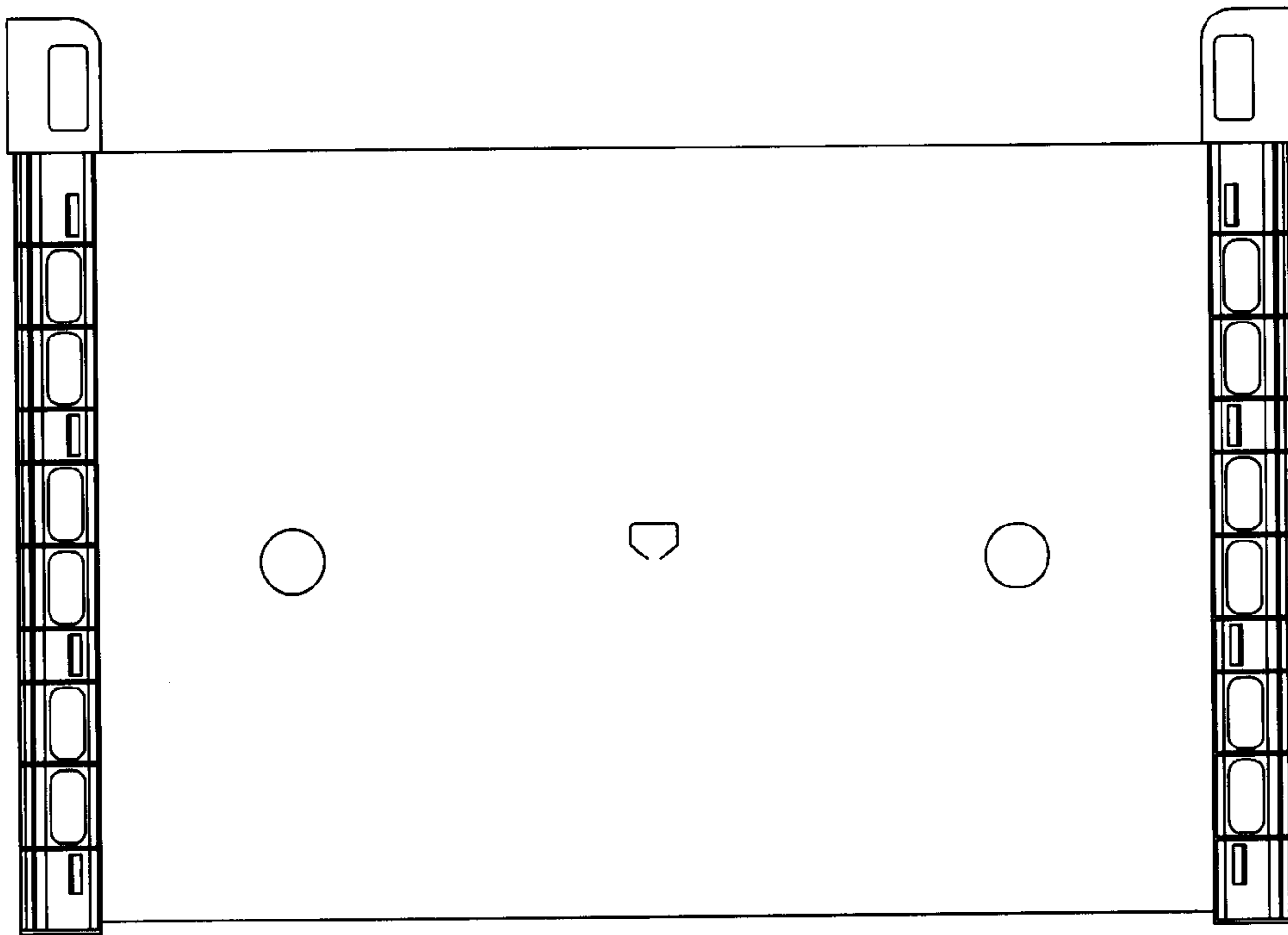


FIG. 5

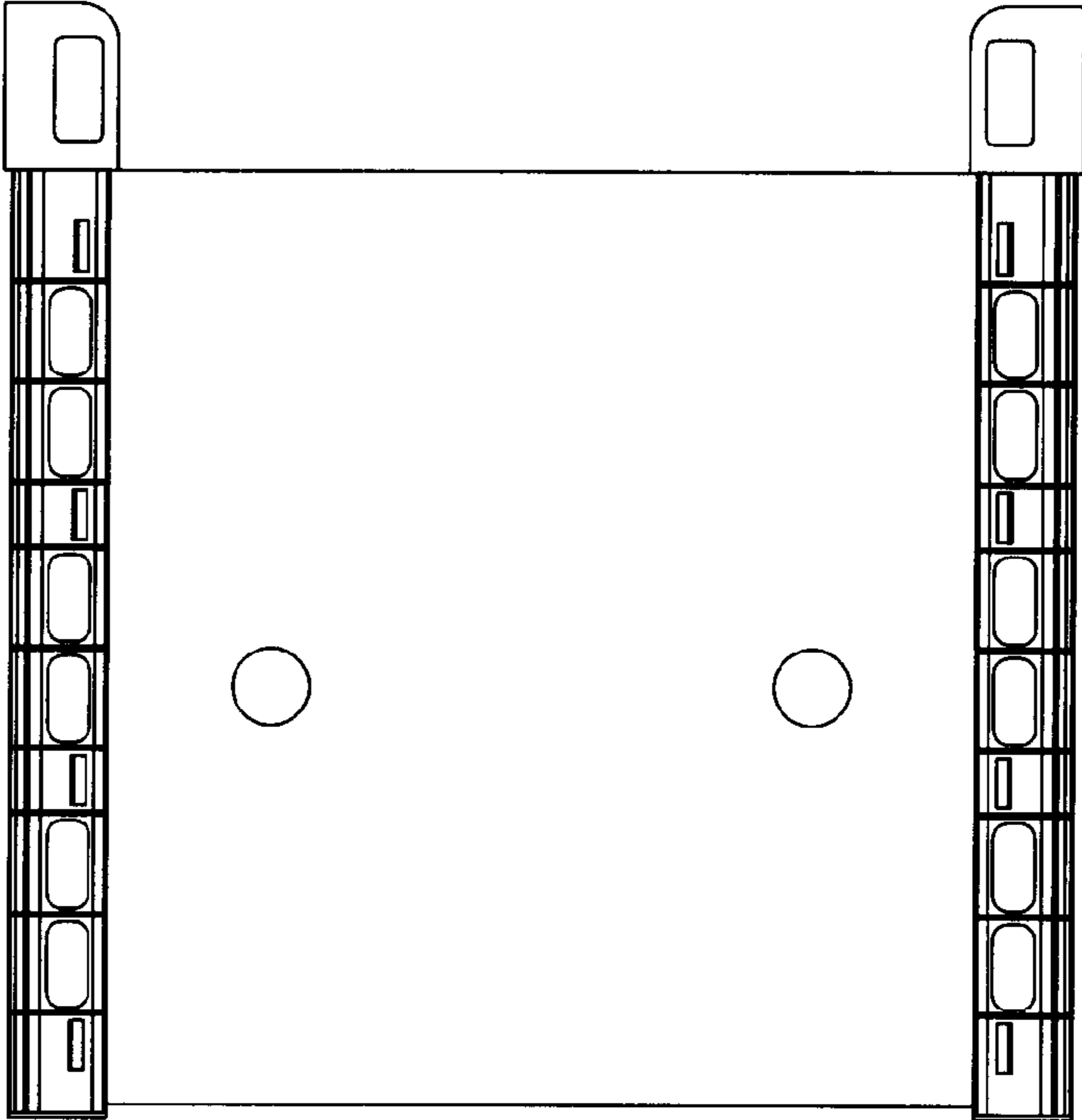


FIG. 6

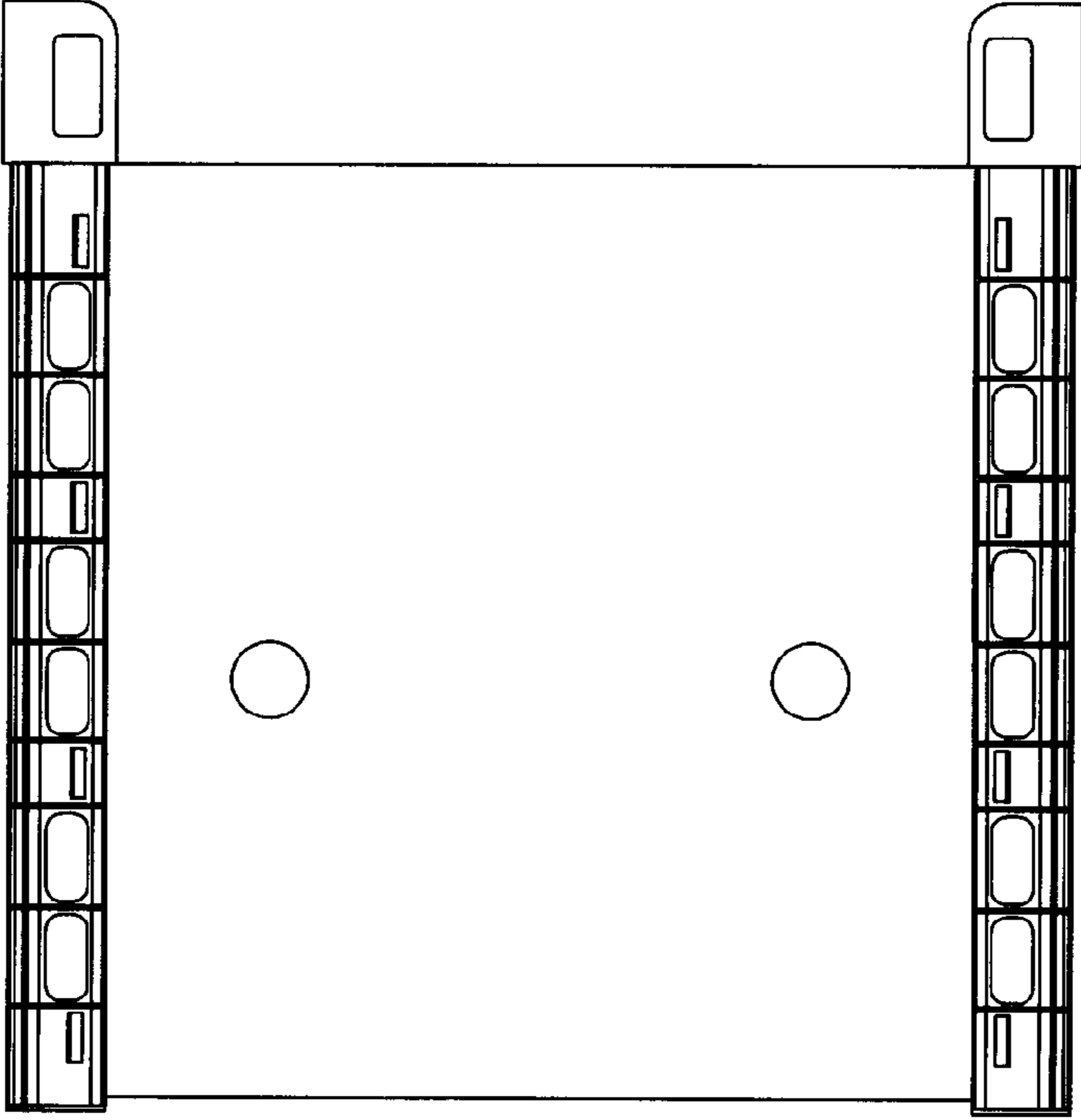


FIG. 7