



US00D502646S

(12) **United States Design Patent**  
**Postulka**

(10) **Patent No.:** **US D502,646 S**  
(45) **Date of Patent:** **\*\* Mar. 8, 2005**

(54) **PACKAGING FOR FLOWERS**  
(75) **Inventor:** **Michel Postulka, Bouliac (FR)**  
(73) **Assignee:** **Flora Partner, Bordeaux (FR)**  
(\*\*) **Term:** **14 Years**

(21) **Appl. No.:** **29/186,214**  
(22) **Filed:** **Jul. 14, 2003**

(30) **Foreign Application Priority Data**  
Jan. 13, 2003 (FR) ..... 03 0154  
(51) **LOC (7) Cl.** ..... **09-03**  
(52) **U.S. Cl.** ..... **D9/430**  
(58) **Field of Search** ..... D9/430-433, 414,  
D9/420-422, 346, 455, 425, 499, 305-306;  
206/423, 527, 822; 229/103.2, 110, 117.16

(56) **References Cited**  
**U.S. PATENT DOCUMENTS**  
2,644,633 A \* 7/1953 Stopper ..... 229/110  
3,239,110 A \* 3/1966 Buter ..... 222/465.1  
3,314,531 A \* 4/1967 Cheris et al. .... 206/758  
D267,702 S \* 1/1983 Swann ..... D9/424  
D299,315 S \* 1/1989 Kasanda ..... D9/424  
4,856,706 A \* 8/1989 Van Der Straten ..... 229/110

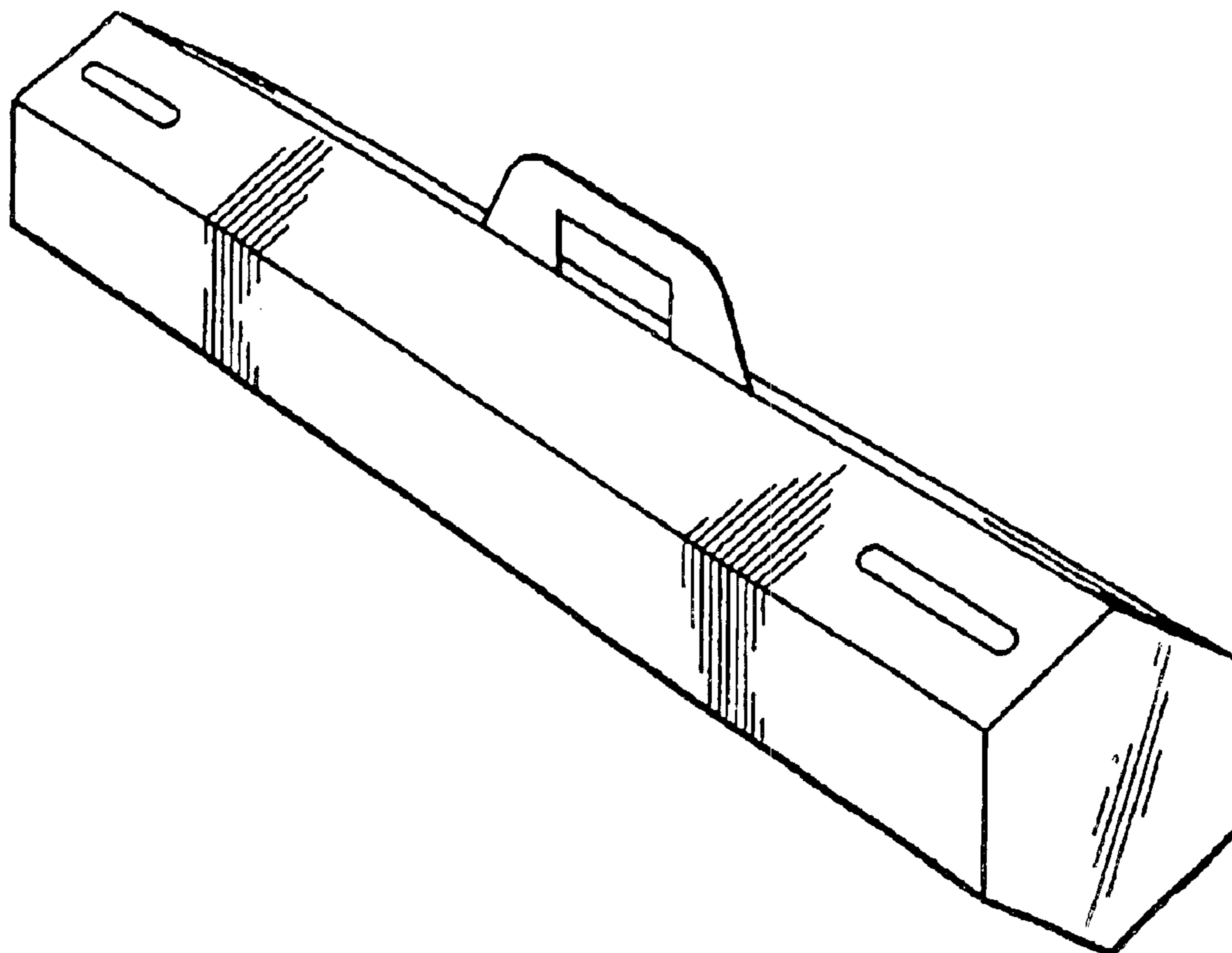
D324,823 S \* 3/1992 Scarpa et al. .... D9/430  
D328,168 S \* 7/1992 Bartle ..... D34/7  
6,422,454 B1 \* 7/2002 Barr et al. .... 229/117.14  
D479,992 S \* 9/2003 Gehring et al. .... D9/430  
D495,598 S \* 9/2004 Smith ..... D9/430

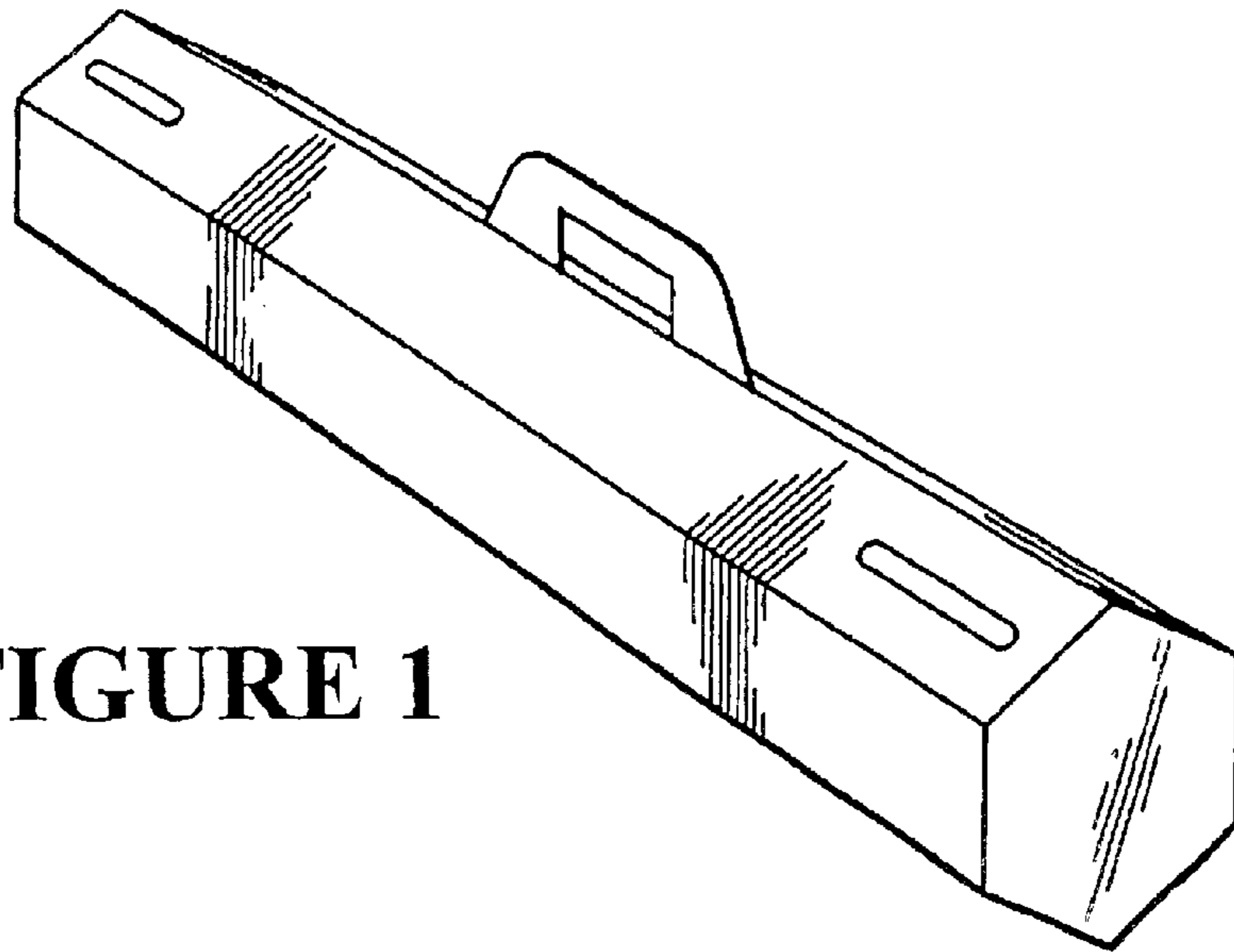
\* cited by examiner  
*Primary Examiner*—Stella Reid  
*Assistant Examiner*—Lynne Brady  
(74) *Attorney, Agent, or Firm*—Young & Thompson

(57) **CLAIM**  
The ornamental design for packaging for flowers, as shown and described.

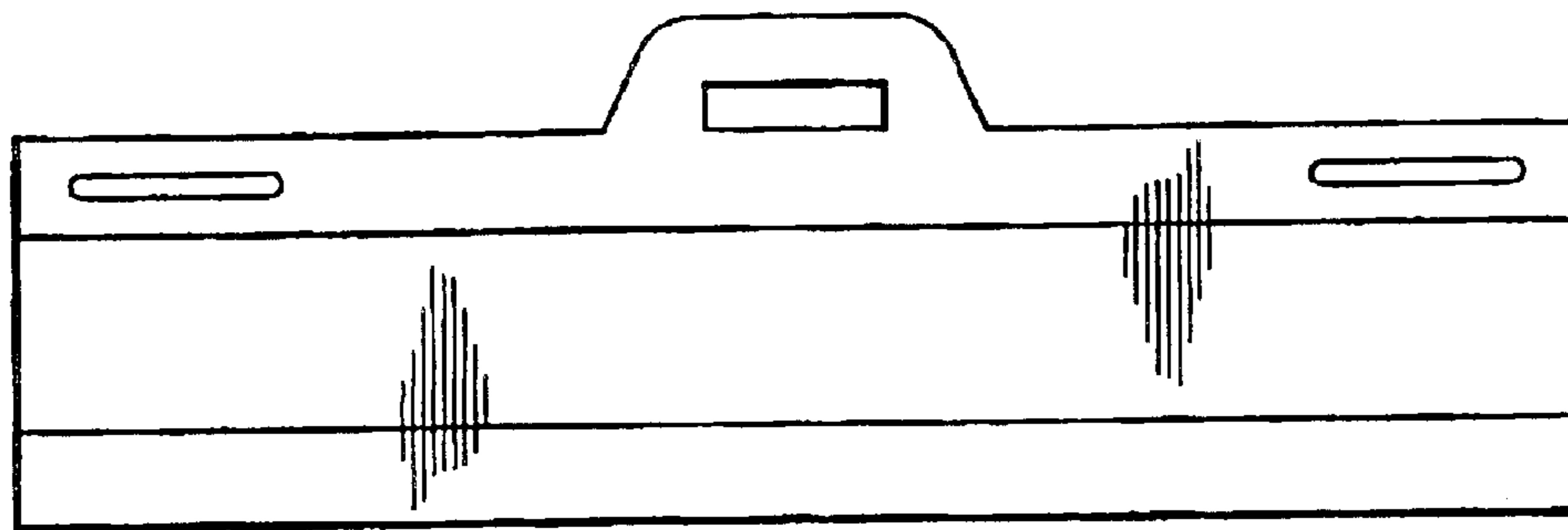
**DESCRIPTION**  
FIG. 1 is a top, side and end perspective view of packaging for flowers, showing my new design;  
FIG. 2 is a side elevational view thereof, the appearance of the side opposite that shown in FIG. 2 being identical thereto;  
FIG. 3 is an end elevational view thereof, the appearance of the end opposite that shown in FIG. 3 being identical thereto;  
FIG. 4 is a top plan view thereof; and,  
FIG. 5 is a bottom plan view thereof.

**1 Claim, 2 Drawing Sheets**

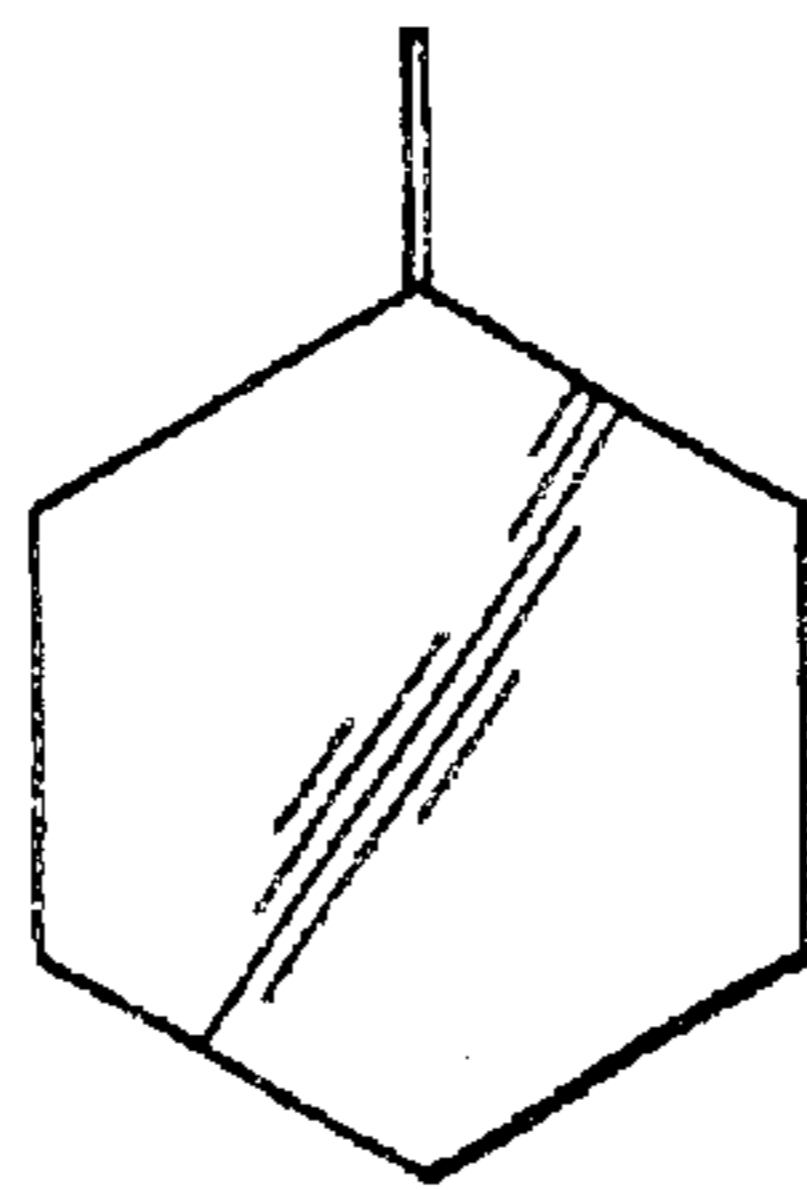




**FIGURE 1**



**FIGURE 2**



**FIGURE 3**

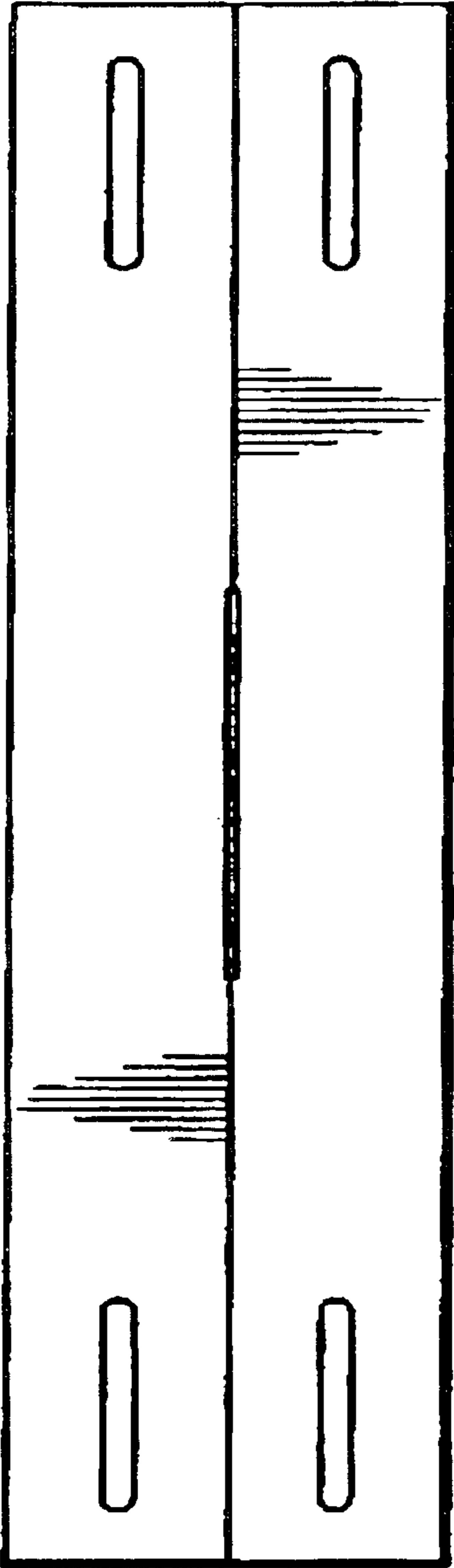


FIGURE 4

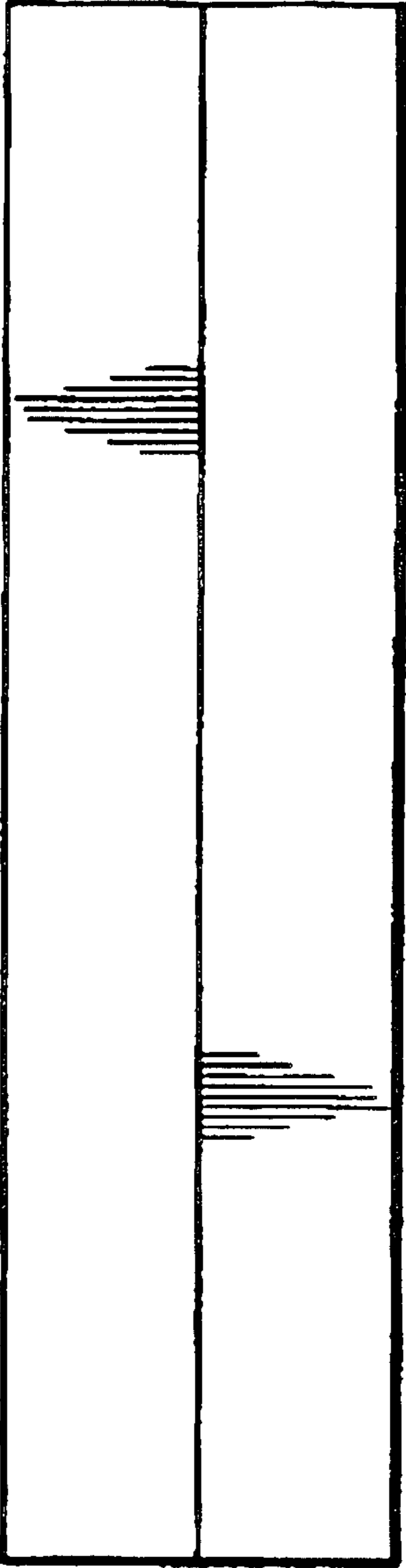


FIGURE 5