

US00D502642S

(12) **United States Design Patent**
Misner et al.

(10) **Patent No.: US D502,642 S**
(45) **Date of Patent: ** Mar. 8, 2005**

- (54) **FRONT PORTION OF A PADDLE HANDLE FOR OPERATING LATCHES**
- (75) Inventors: **Michael O. Misner**, Lake Villa, IL (US); **Timothy P. Laabs**, Palatine, IL (US)
- (73) Assignee: **The Eastern Company**, Wheeling, IL (US)
- (**) Term: **14 Years**
- (21) Appl. No.: **29/181,700**
- (22) Filed: **May 15, 2003**
- (51) **LOC (7) Cl. 08-06**
- (52) **U.S. Cl. D8/302; D8/306; D8/313**
- (58) **Field of Search D8/301, 302, 306, D8/307, 338, 341, 350, 353, 313; 16/412; 70/208; 292/336.3, DIG. 31**

3,449,005 A	6/1969	Pastva, Jr.	292/173
D218,672 S	9/1970	Lauper	D8/109
3,576,118 A	4/1971	Doerrfeld	70/146
3,707,862 A	1/1973	Pastva, Jr.	70/150
3,743,336 A	7/1973	Andrews	292/173
3,758,140 A	9/1973	Prete, Jr.	292/223
D230,132 S	1/1974	Pastva, Jr.	D8/109
3,782,141 A	1/1974	Doerrfeld	70/146
D230,945 S	3/1974	Beckman	D8/109
3,965,564 A	6/1976	Slovensky, Jr.	29/434
4,038,718 A	8/1977	Reilhac et al.	16/110
4,116,027 A	9/1978	Tannery	70/472
4,131,002 A	12/1978	Gianelo	70/84
4,138,869 A	2/1979	Pelcin	70/151
4,170,119 A	10/1979	Kalis, Jr.	70/221
4,309,884 A	1/1982	Davis	70/472
4,320,642 A	3/1982	Pastva, Jr.	70/472
4,420,954 A	12/1983	Hieronymi et al.	70/150
4,438,964 A	3/1984	Peters	292/216
4,489,904 A	12/1984	Soederberg	244/75
4,510,779 A	4/1985	Ahad	70/208

(List continued on next page.)

(56) **References Cited**
U.S. PATENT DOCUMENTS

2,186,903 A	1/1940	Gleason	292/254
2,637,585 A	5/1953	Troche et al.	292/336.3
2,642,300 A	6/1953	Pelcin	292/173
2,668,076 A	2/1954	Troche et al.	292/336.3
2,721,751 A	10/1955	Holritz	292/169
2,735,706 A	2/1956	Pelcin	292/34
2,763,503 A	9/1956	Tasch et al.	292/173
2,840,407 A	6/1958	Sellon, Jr.	292/169
2,871,048 A	1/1959	Balogh	292/173
2,900,204 A	8/1959	Pelcin	292/173
2,916,905 A	12/1959	Podlesak	70/150
2,987,908 A	6/1961	Pelcin	70/146
3,044,814 A	7/1962	Pelcin	292/126
3,055,204 A	9/1962	Pelcin	70/153
3,081,617 A	3/1963	McKay	70/153
3,283,549 A	11/1966	Mees	70/146
3,338,610 A	8/1967	Pelcin et al.	292/126
3,357,734 A	12/1967	Pastva, Jr.	292/165
D210,152 S	2/1968	Pastva, Jr.	D50/5
D210,153 S	2/1968	Pastva, Jr.	D50/5
3,389,932 A	6/1968	Pastva, Jr.	292/173

Primary Examiner—Adir Aronovich
(74) *Attorney, Agent, or Firm*—David A. Burge

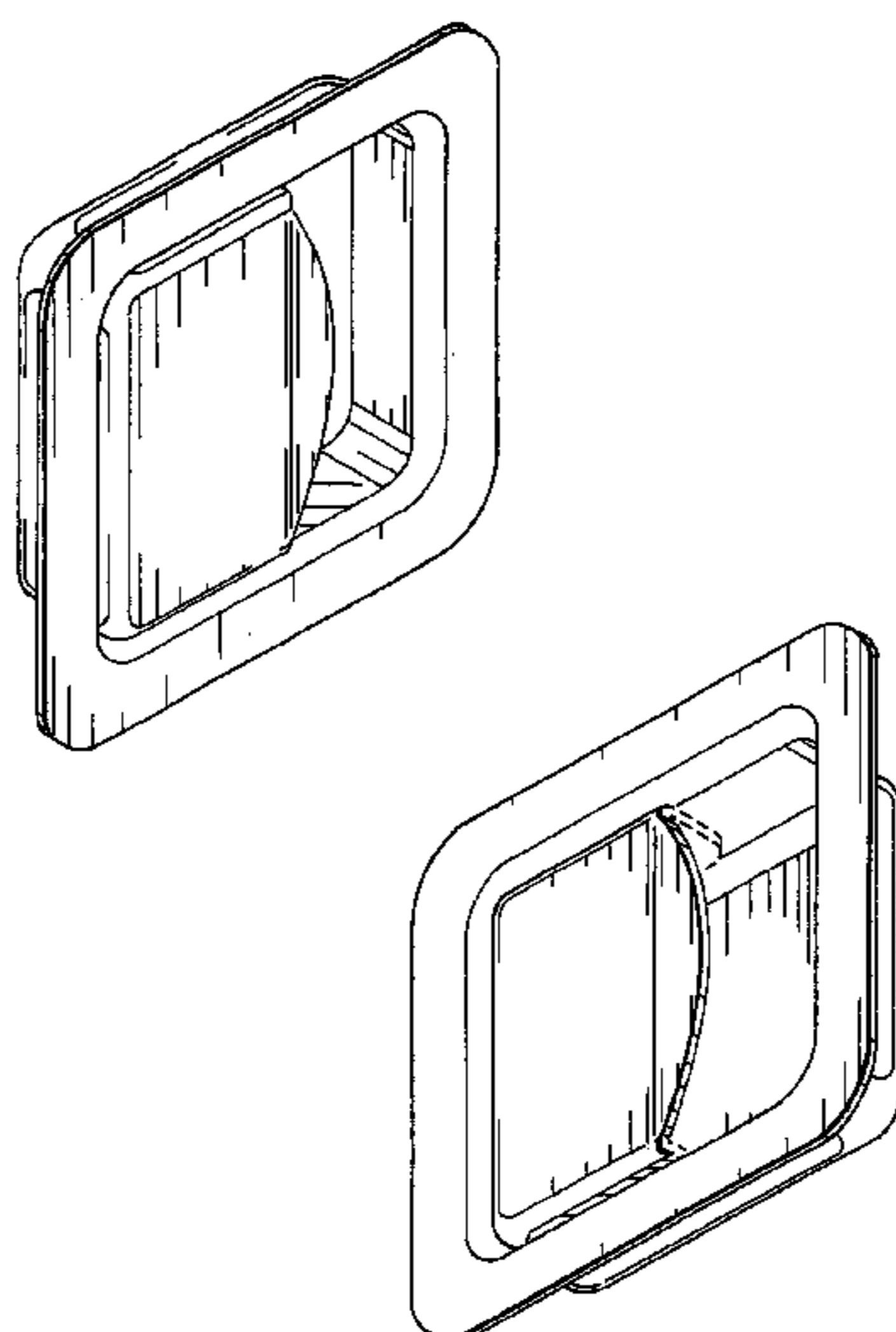
(57) **CLAIM**

The ornamental design for a front portion of a paddle handle for operating latches, as shown and described.

DESCRIPTION

FIG. 1 is a perspective view showing front, top and left side portions of our new design;
 FIG. 2 is a perspective view showing front, bottom and right side portions thereof;
 FIG. 3 is a front elevational view thereof;
 FIG. 4 is a perspective view showing front and bottom portions thereof;
 FIG. 5 is a perspective view showing front and left side portions thereof; and,
 FIG. 6 is a perspective view showing front and right side portions thereof.

1 Claim, 3 Drawing Sheets



US D502,642 S

Page 2

U.S. PATENT DOCUMENTS

4,634,161 A	1/1987	Fukasawa et al.	292/336.3	D390,086 S	2/1998	Weinerman et al.	D8/306
4,706,478 A	* 11/1987	Swan et al.	292/336.3	D390,443 S	2/1998	Zenner	D8/331
4,707,006 A	11/1987	Garg et al.	292/336.3	D394,373 S	5/1998	Weinerman et al.	D8/306
4,850,209 A	7/1989	Weinerman et al.	70/208	5,820,174 A	10/1998	Parikh et al.	292/126
D303,617 S	9/1989	Russell et al.	D8/306	5,820,175 A	10/1998	Calvin	292/165
D303,618 S	9/1989	Russell et al.	D8/306	5,875,948 A	3/1999	Sadler	224/404
4,911,487 A	3/1990	Rachocki	292/216	5,927,773 A	7/1999	Larsen et al.	292/337
4,917,412 A	4/1990	Swan et al.	292/48	5,941,104 A	8/1999	Sadler	70/208
4,951,486 A	8/1990	Braun et al.	70/208	5,983,682 A	11/1999	Parikh	70/208
4,986,576 A	1/1991	Anderson	292/40	5,992,908 A	11/1999	Yared et al.	292/196
4,989,907 A	2/1991	Edmonds et al.	292/223	6,006,560 A	12/1999	DeVries	70/208
D339,050 S	9/1993	Gleason et al.	D8/301	D419,421 S	1/2000	Larsen et al.	D8/306
5,299,844 A	4/1994	Gleason	292/240	6,109,669 A	8/2000	Pinkow	292/175
D346,731 S	* 5/1994	Larsen et al.	D8/301	6,349,577 B1	2/2002	Hansen et al.	70/159
5,413,391 A	5/1995	Clavin et al.	292/170	D458,107 S	* 6/2002	Dodge et al.	D8/301
5,439,260 A	8/1995	Weinerman et al.	292/48	D460,680 S	* 7/2002	Weinerman et al.	D8/306
D371,500 S	* 7/1996	McConnell et al.	D8/302	D465,142 S	* 11/2002	Weinerman et al.	D8/302
D373,298 S	9/1996	Miehe et al.	D8/302	D465,400 S	11/2002	Moore et al.	D8/331
D383,664 S	9/1997	Bennett	D8/331	6,474,703 B1	* 11/2002	Berg	292/336.3

* cited by examiner

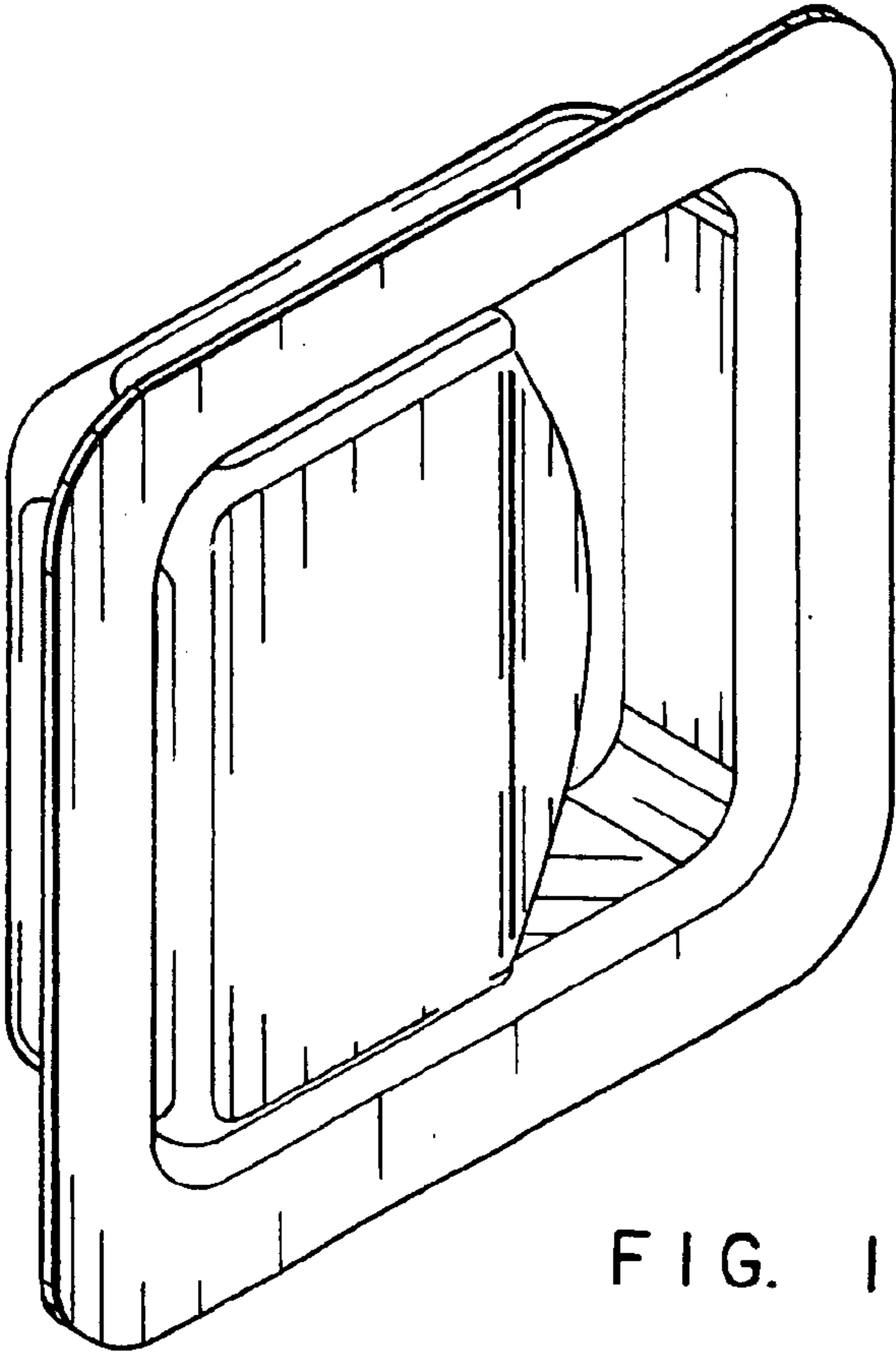


FIG. 1

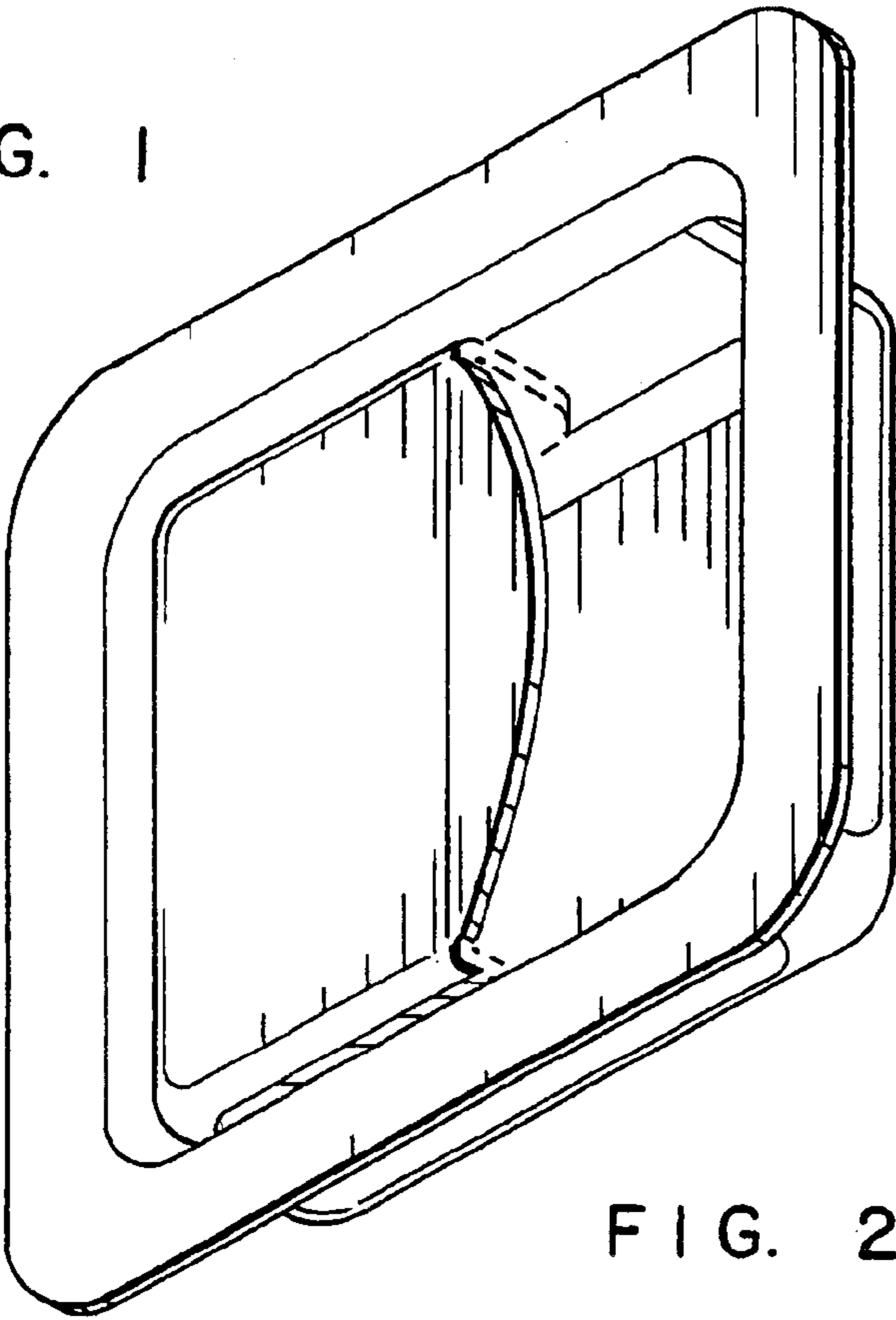


FIG. 2

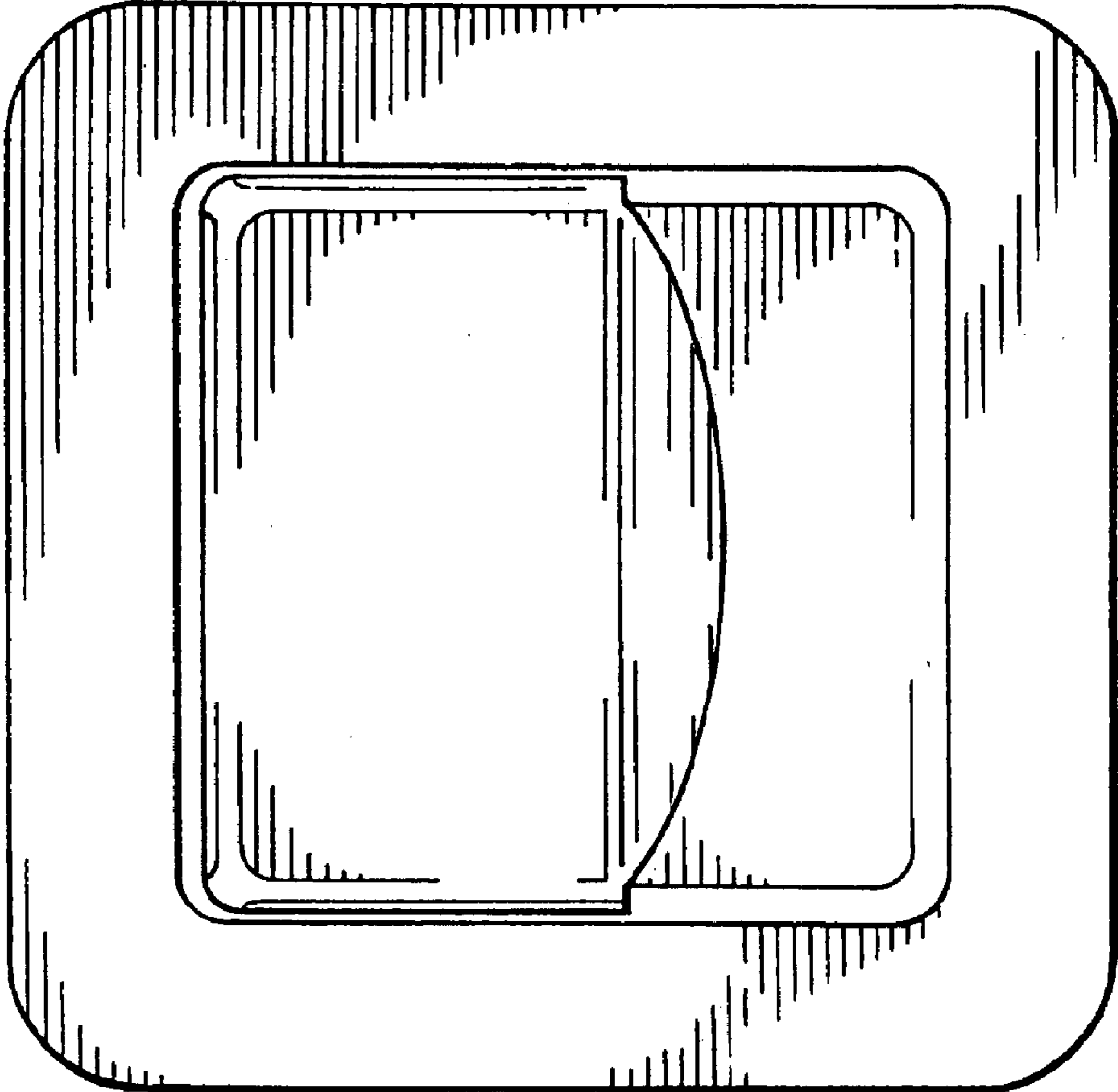


FIG. 3

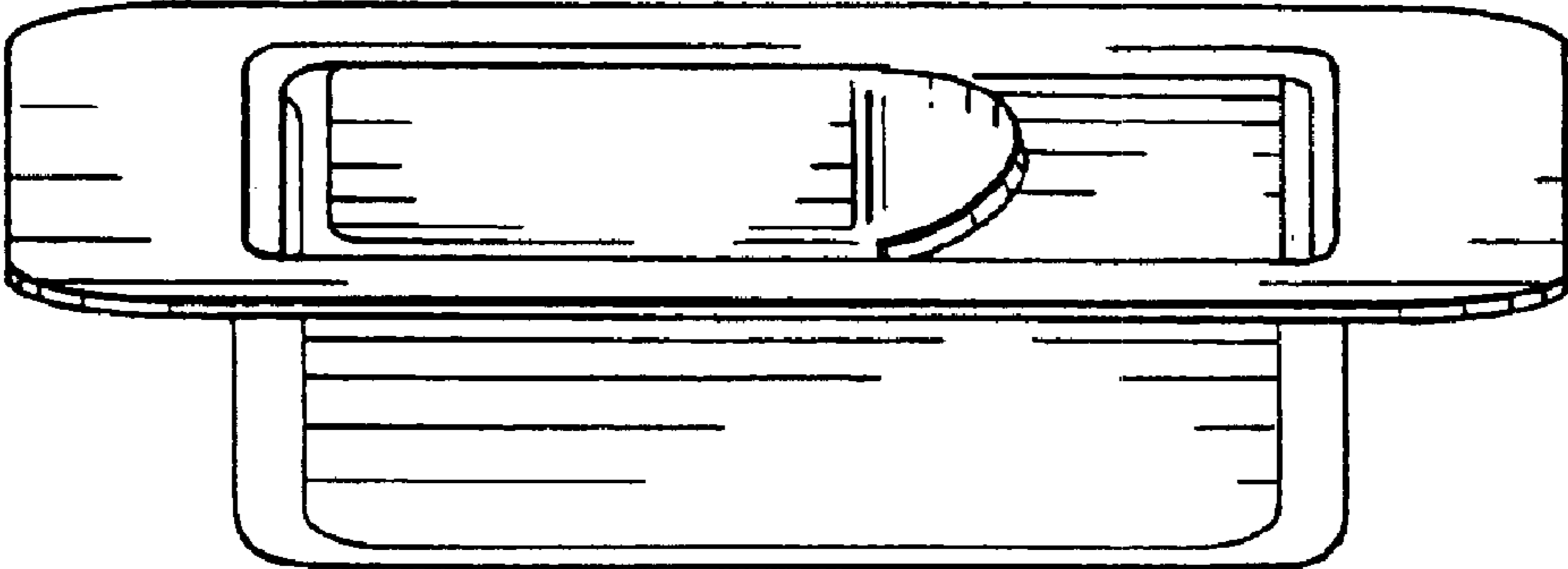


FIG. 4

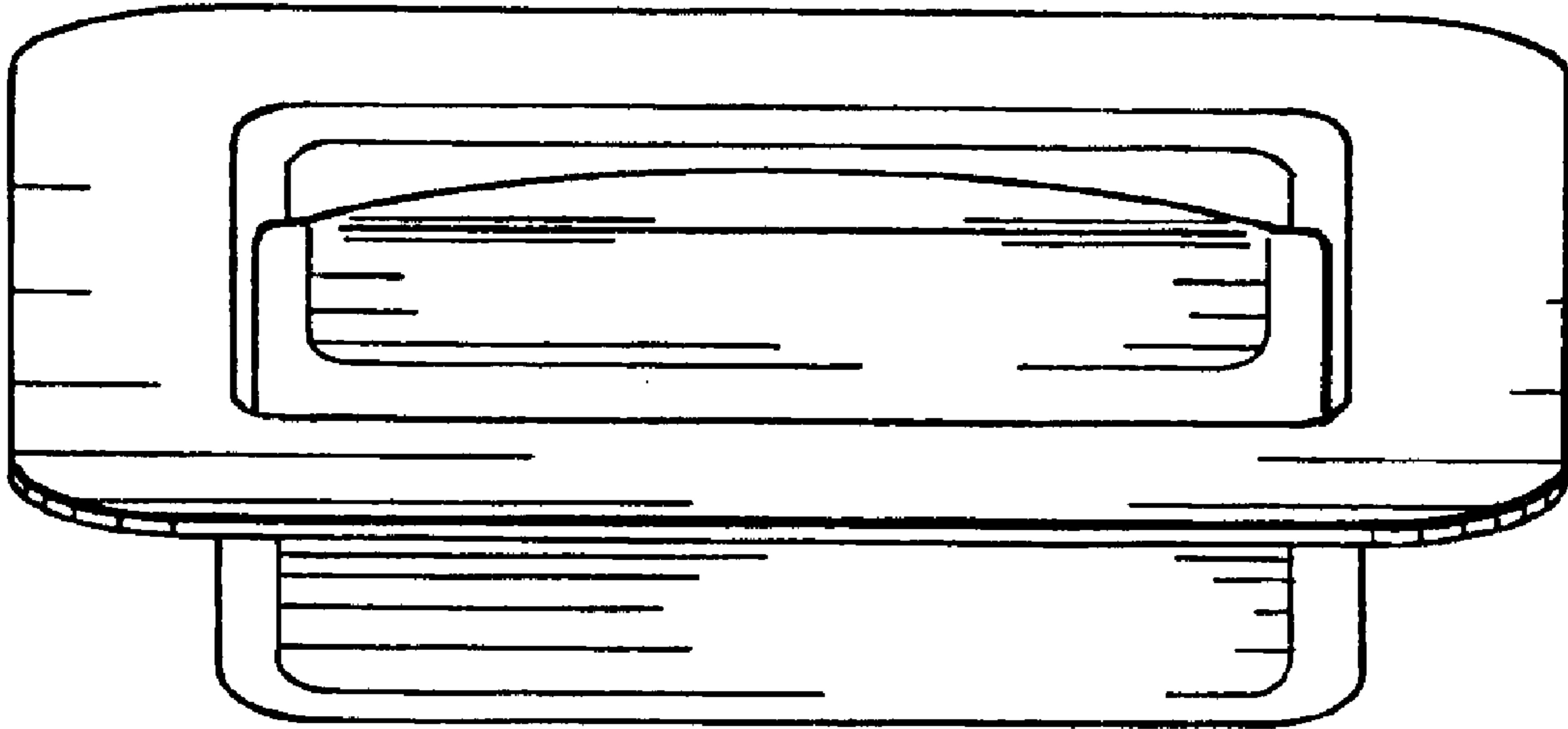


FIG. 5

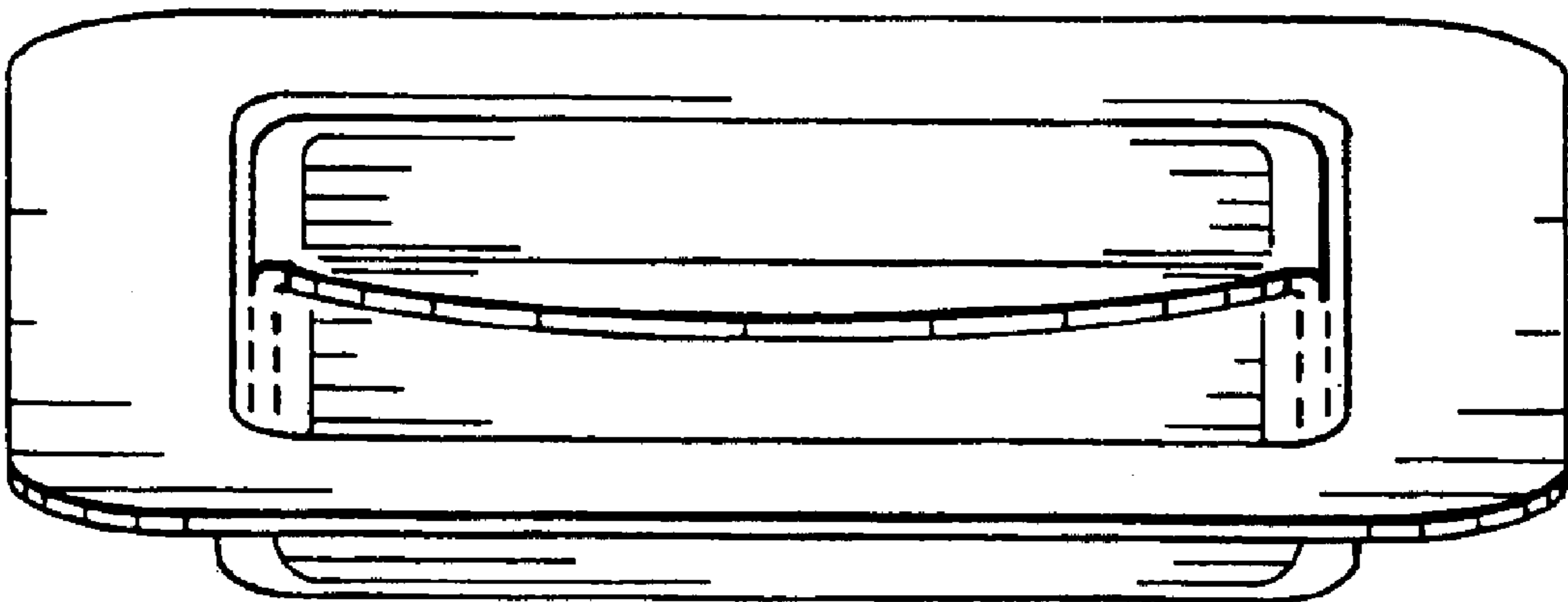


FIG. 6

UNITED STATES PATENT AND TRADEMARK OFFICE
CERTIFICATE OF CORRECTION

PATENT NO. : Des. 502,642 S
APPLICATION NO. : 29/181700
DATED : March 8, 2005
INVENTOR(S) : Michael O. Misner et al.

Page 1 of 2

It is certified that error appears in the above-identified patent and that said Letters Patent is hereby corrected as shown below:

Drawings

Delete Drawing sheet 3 of 3, and substitute therefor the drawing sheet consisting of FIGS. 5-6 As shown on the attached sheet.

Signed and Sealed this

Second Day of September, 2008

A handwritten signature in black ink that reads "Jon W. Dudas". The signature is written in a cursive, slightly stylized font.

JON W. DUDAS

Director of the United States Patent and Trademark Office

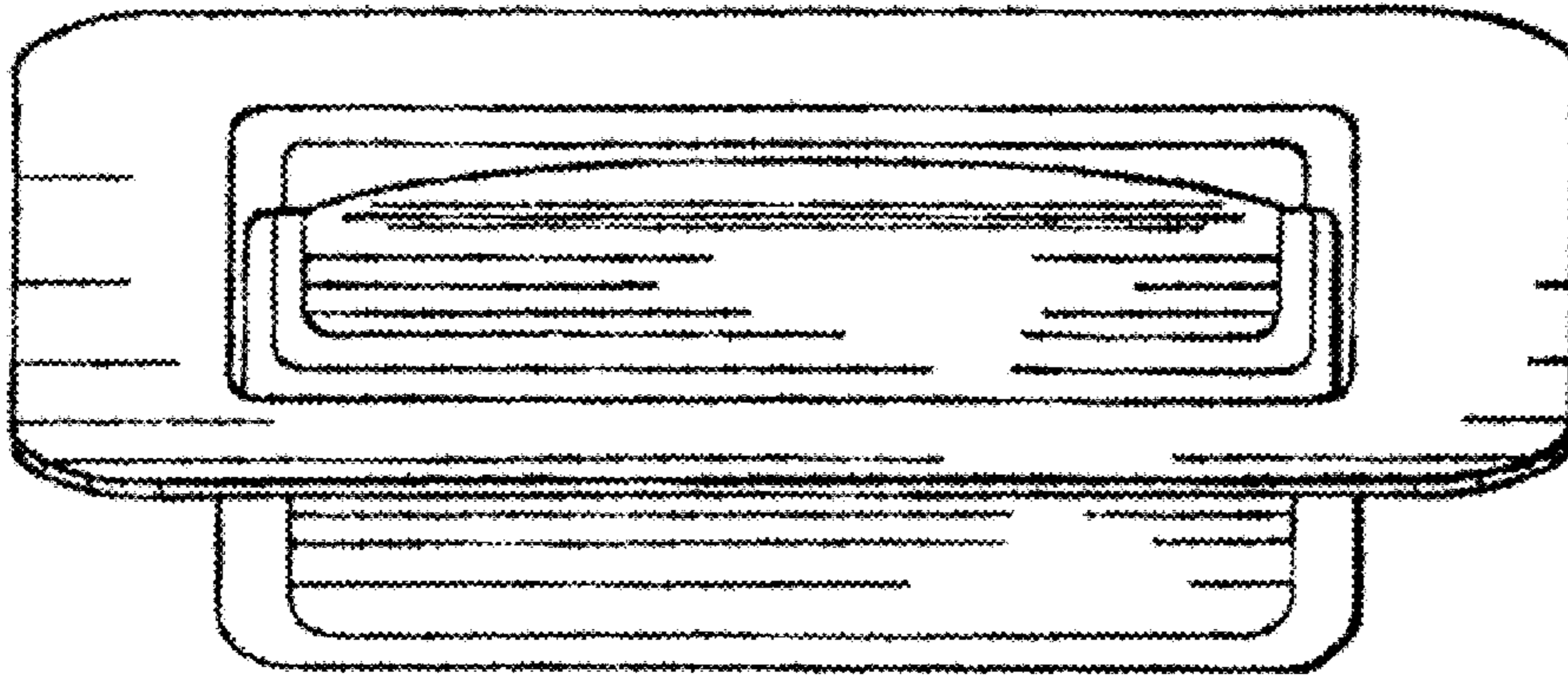


FIG. 5

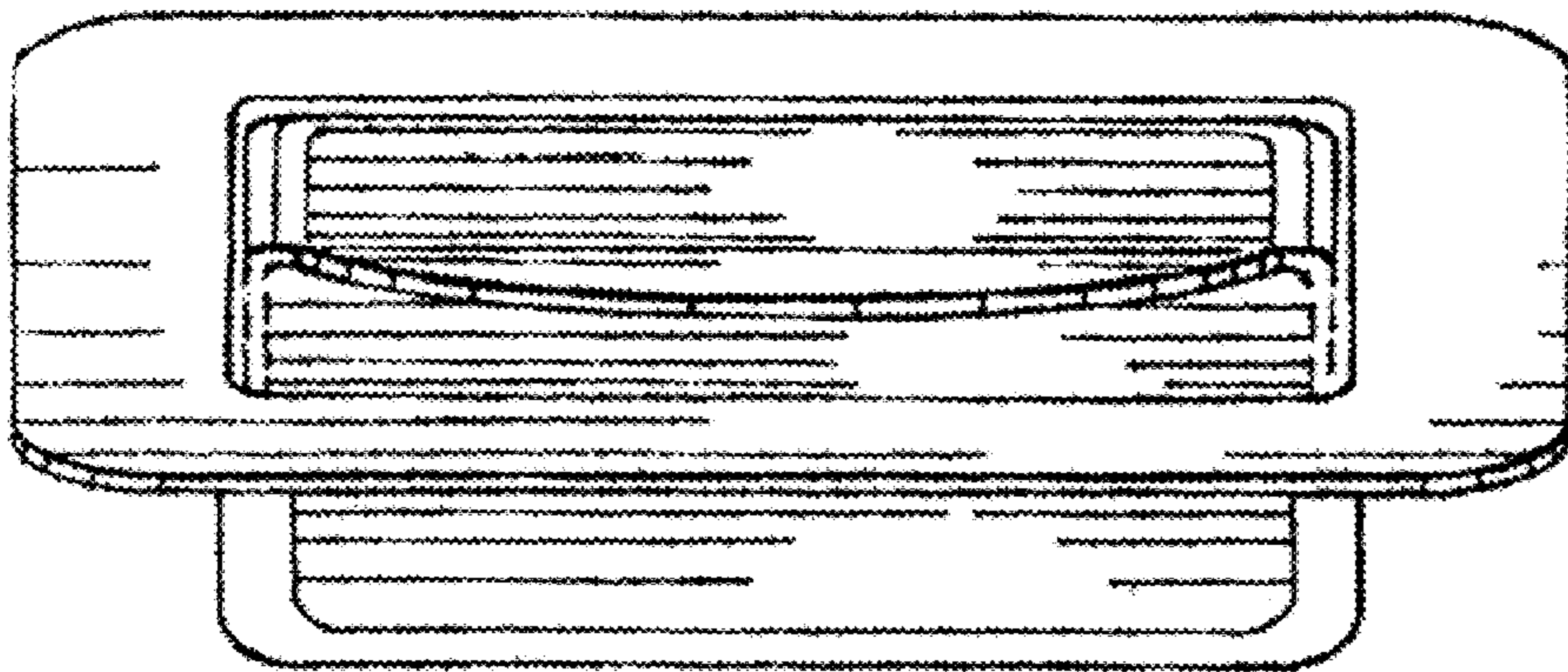


FIG. 6