

US00D502641S

(12) **United States Design Patent**
Marko

(10) **Patent No.:** **US D502,641 S**
(45) **Date of Patent:** **** Mar. 8, 2005**

- (54) **HANDLE FOR A DOOR LATCH**
- (75) **Inventor:** **Neil L. Marko, Hillsdale, MI (US)**
- (73) **Assignee:** **Universal Industrial Products, Inc., Pioneer, OH (US)**
- (**) **Term:** **14 Years**
- (21) **Appl. No.:** **29/178,658**
- (22) **Filed:** **Mar. 28, 2003**
- (51) **LOC (7) Cl.** **08-06**
- (52) **U.S. Cl.** **D8/301**
- (58) **Field of Search** D8/300-302, 306, D8/307, 308, 319, 320, 338, 341; 16/402, 412; 292/336.3

- 6,035,492 A 3/2000 Warshaviak
- D423,320 S 4/2000 Kelly
- RE37,518 E 1/2002 Hardigg et al.
- 6,349,450 B1 2/2002 Koops et al.
- 6,363,577 B1 4/2002 Spitzley
- 6,367,124 B1 4/2002 Bella et al.
- 6,397,435 B1 6/2002 Gosselet
- 6,490,895 B1 12/2002 Weinerman et al.
- D468,619 S * 1/2003 Nofziger et al. D8/301
- 2002/0166210 A1 * 11/2002 Womack et al. 16/412

* cited by examiner

Primary Examiner—Adir Aronovich
(74) *Attorney, Agent, or Firm*—Harness, Dickey & Pierce, P.L.C.

(57) **CLAIM**

The ornamental design for a handle for a door latch, substantially as shown and described.

DESCRIPTION

FIG. 1 is a front elevational view of a handle for a door latch showing my new design;
 FIG. 2 is a rear elevational view of the handle of FIG. 1;
 FIG. 3 is a front and right side perspective view of the handle shown in FIG. 1;
 FIG. 4 is a rear and right side perspective view of the handle shown in FIG. 2;
 FIG. 5 is a right side elevational view of the handle taken from the direction of the arrows 5—5 in FIG. 1;
 FIG. 6 is a left side elevational view of the handle taken from the direction of the arrows 6—6 in FIG. 1;
 FIG. 7 is a top plan view of the handle taken from the direction of the arrows 7—7 in FIG. 1;
 FIG. 8 is a bottom plan view of the handle taken from the direction of the arrows 8—8 in FIG. 1; and,
 FIG. 9 is a front elevational view of a second embodiment, which is a mirror image of the handle for a door latch shown in FIG. 1.

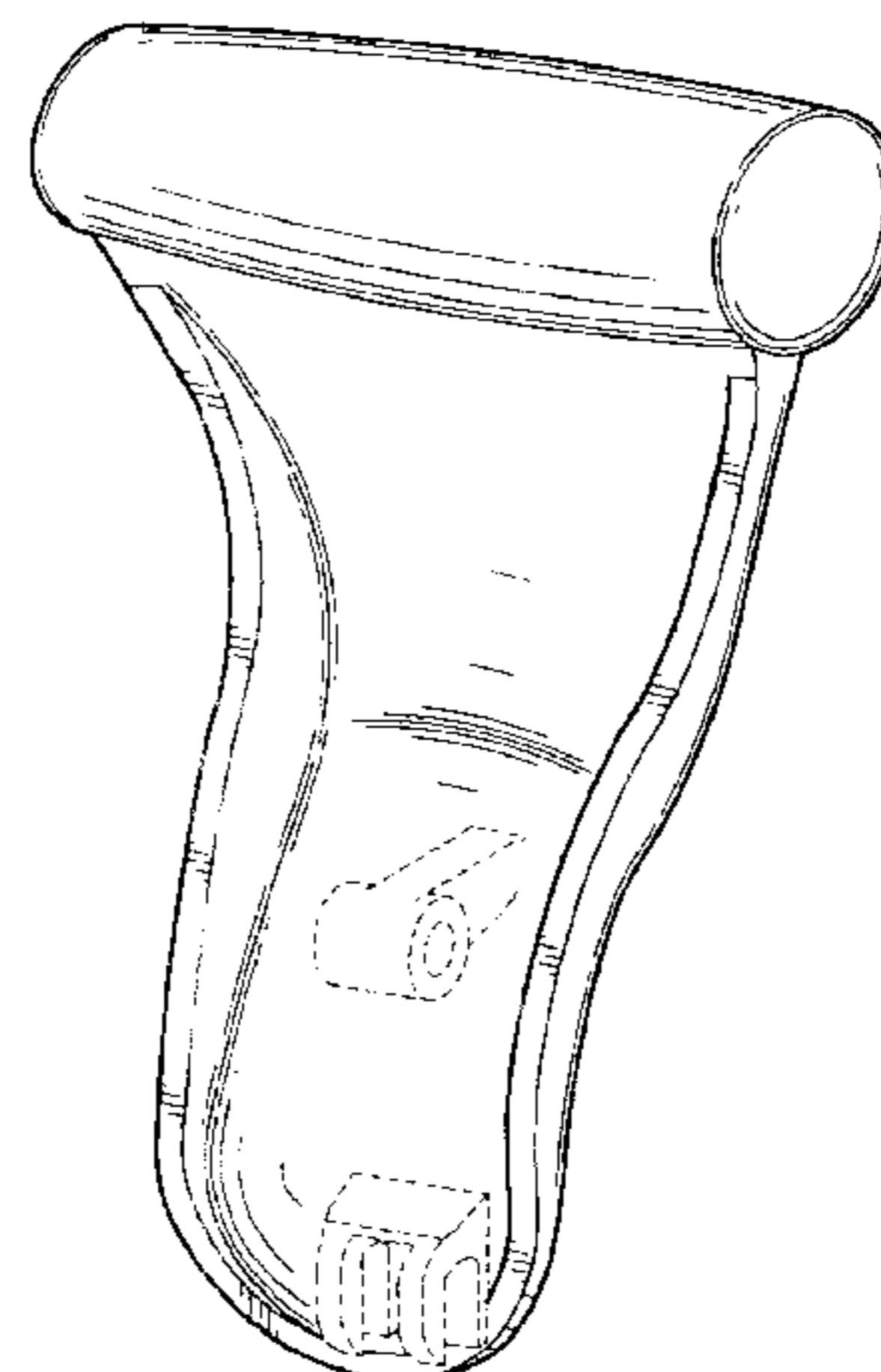
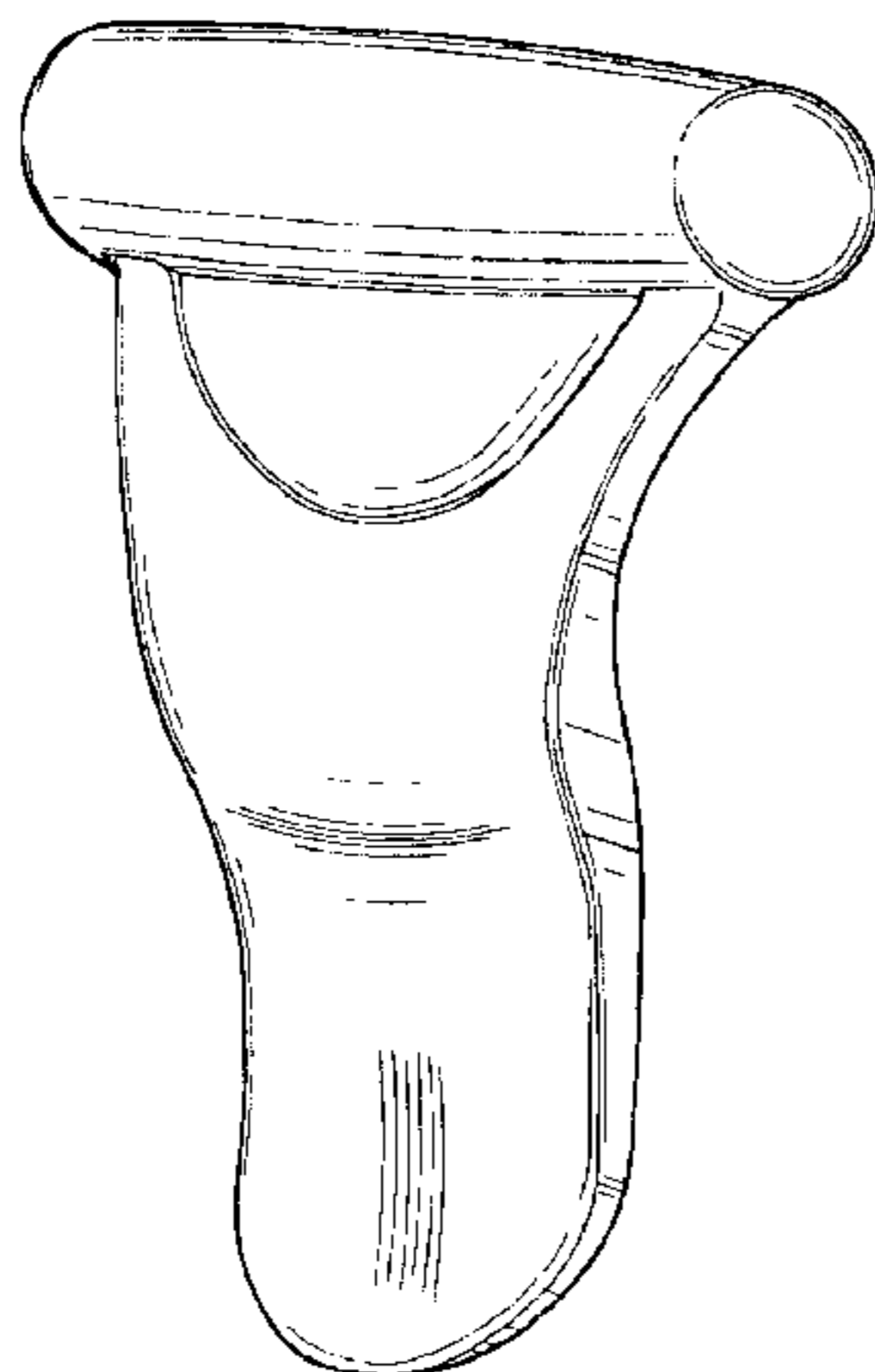
The broken lines showing a structure for connection of the handle to a door latch is for illustrative purposes only and form no part of the claimed design.

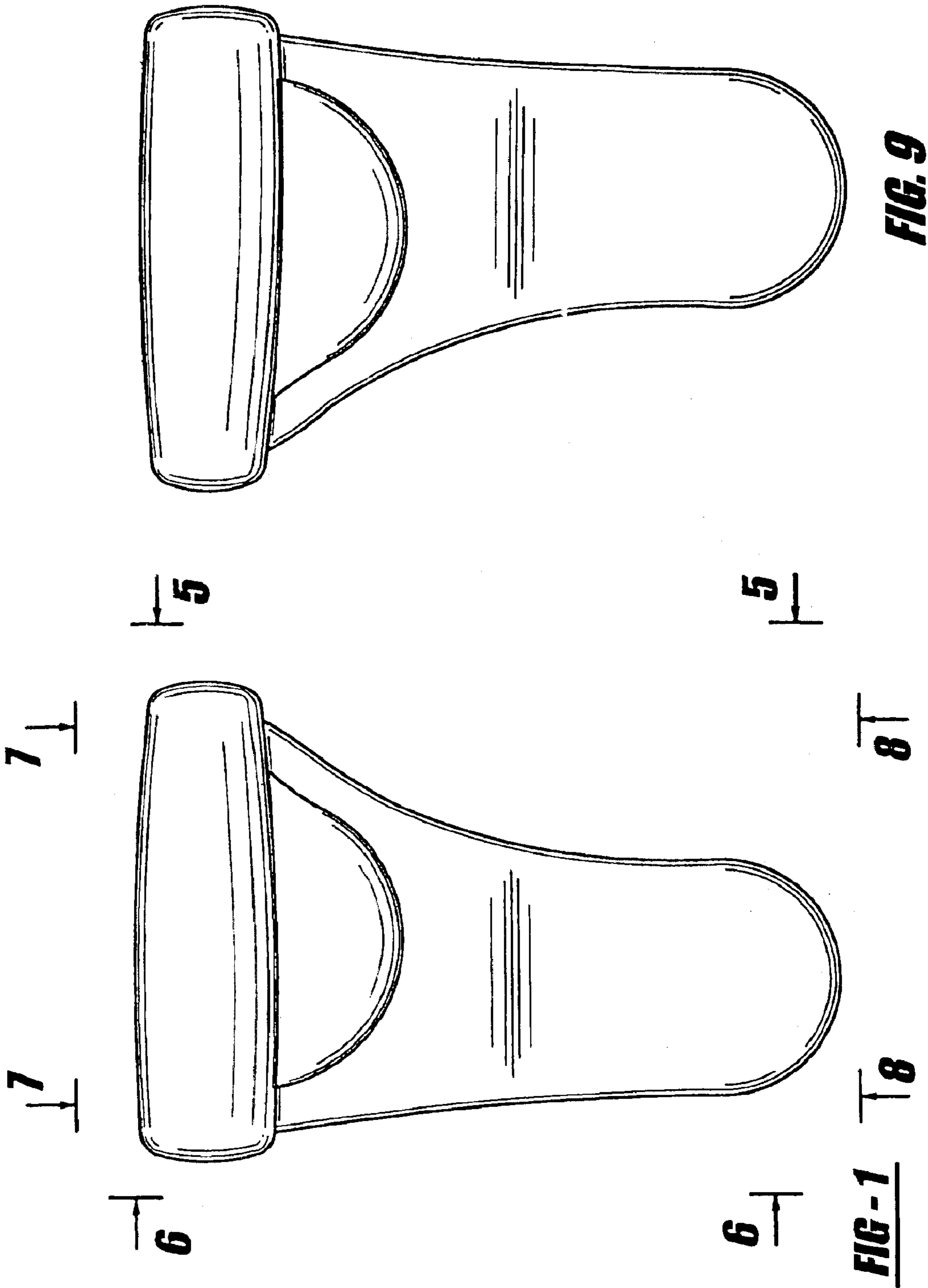
1 Claim, 4 Drawing Sheets

(56) **References Cited**

U.S. PATENT DOCUMENTS

- 944,534 A 12/1909 Beaman
- D47,082 S * 3/1915 Schroeder D8/319
- 2,058,685 A 10/1936 Haan, Jr.
- 2,117,192 A 5/1938 McClung
- 2,131,458 A 9/1938 Turner
- 2,203,341 A 6/1940 Roedding
- 2,539,083 A 1/1951 Jakeway
- 2,705,729 A 3/1955 Jakeway
- D190,627 S * 6/1961 Miller D8/302
- D194,834 S * 3/1963 Parker et al. D8/307
- D204,087 S 3/1966 Adler
- 4,025,094 A 5/1977 Mitchell
- 4,038,718 A 8/1977 Reilhac et al.
- 4,508,377 A 4/1985 Takasaki
- 4,641,866 A 2/1987 Haeck et al.
- 4,821,371 A 4/1989 Finkle
- D313,543 S * 1/1991 MacFarlane D8/338
- 5,026,101 A 6/1991 Dotterweich et al.
- D319,380 S 8/1991 Politzer et al.
- 5,123,687 A 6/1992 Pfeiffer et al.
- D331,004 S 11/1992 Birch
- 5,461,755 A 10/1995 Hardigg et al.
- 5,465,462 A 11/1995 Yamada
- 5,504,974 A 4/1996 Graber
- 6,009,932 A 1/2000 Smith





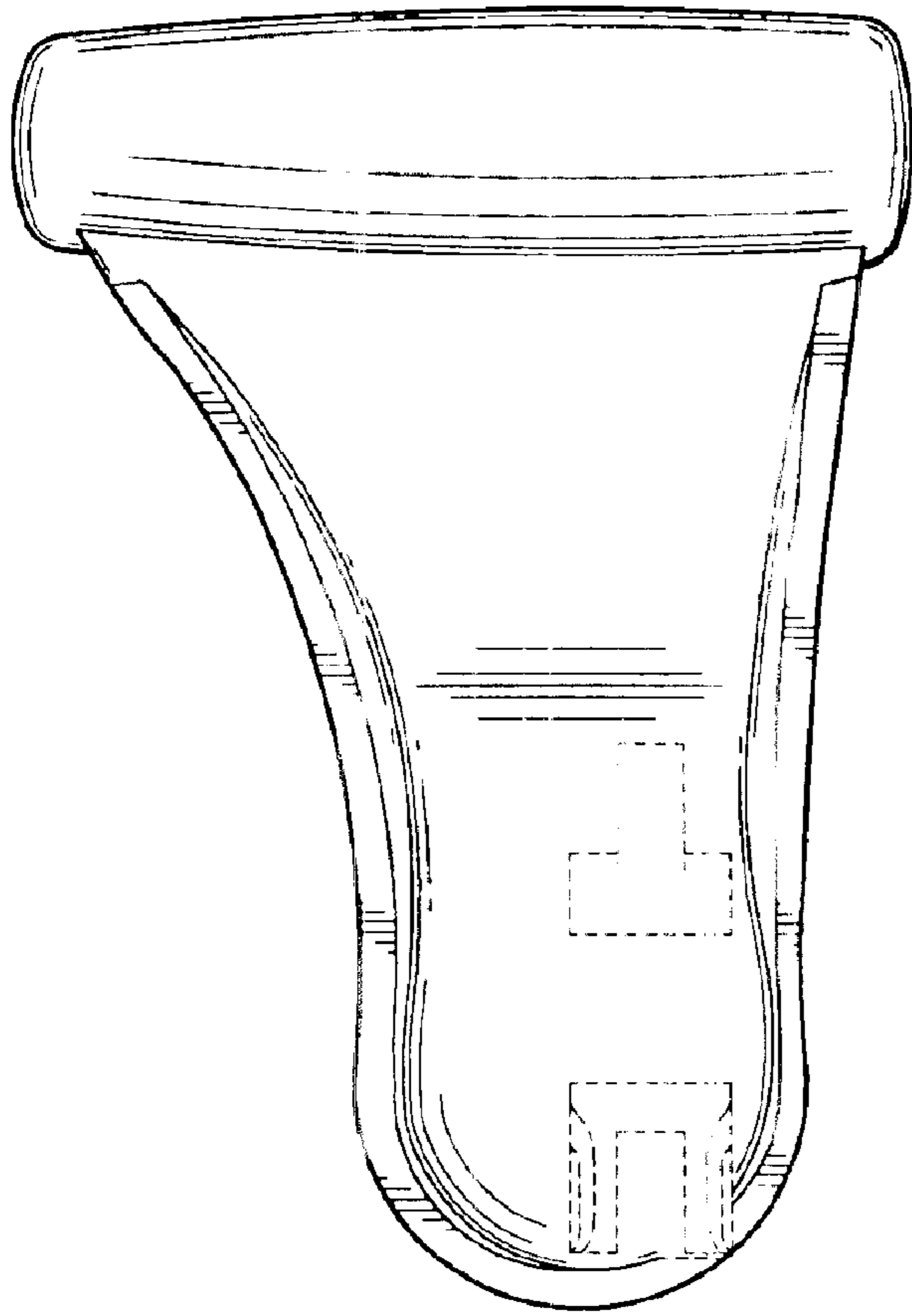


FIG - 2

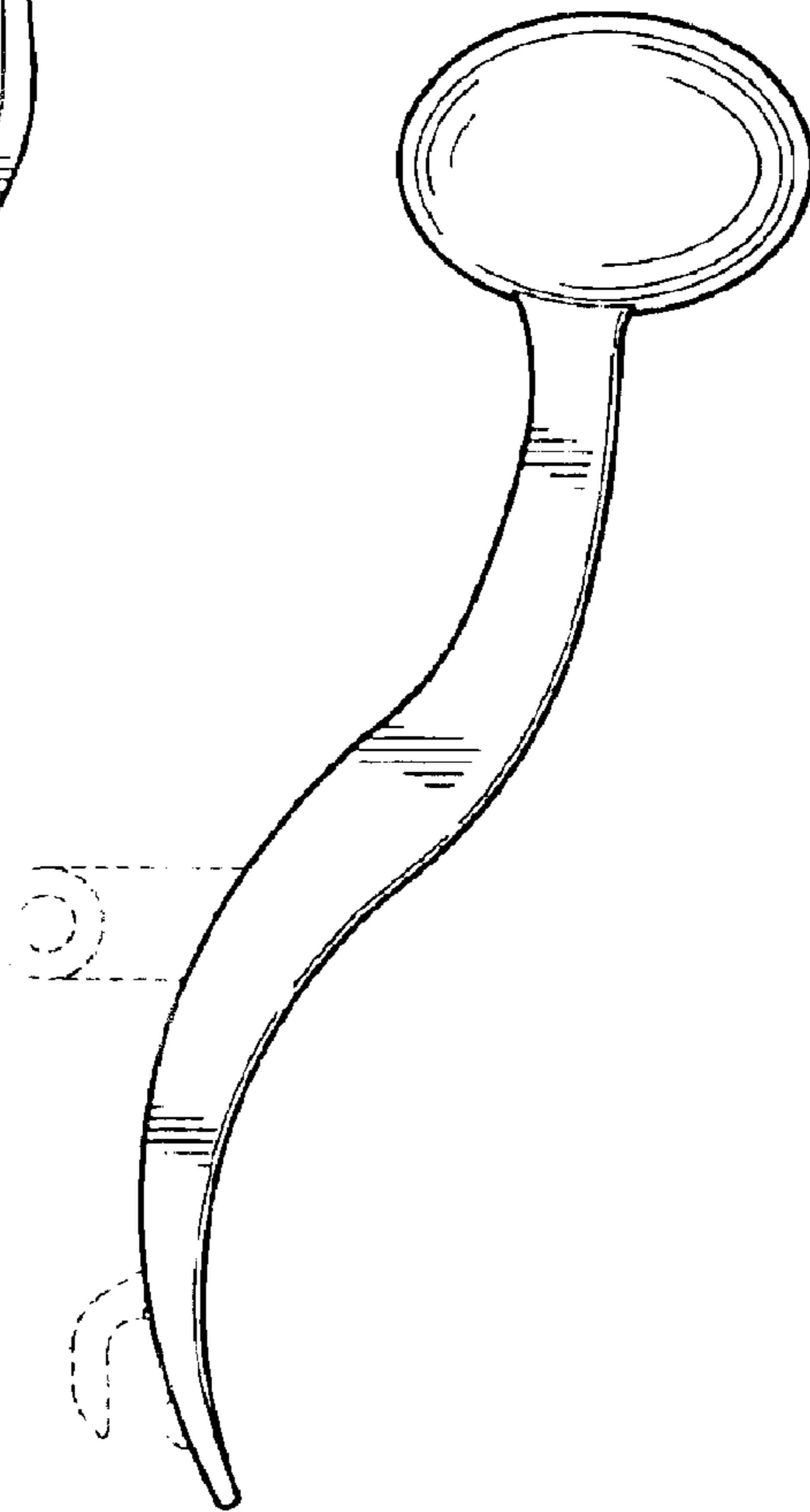


FIG - 5

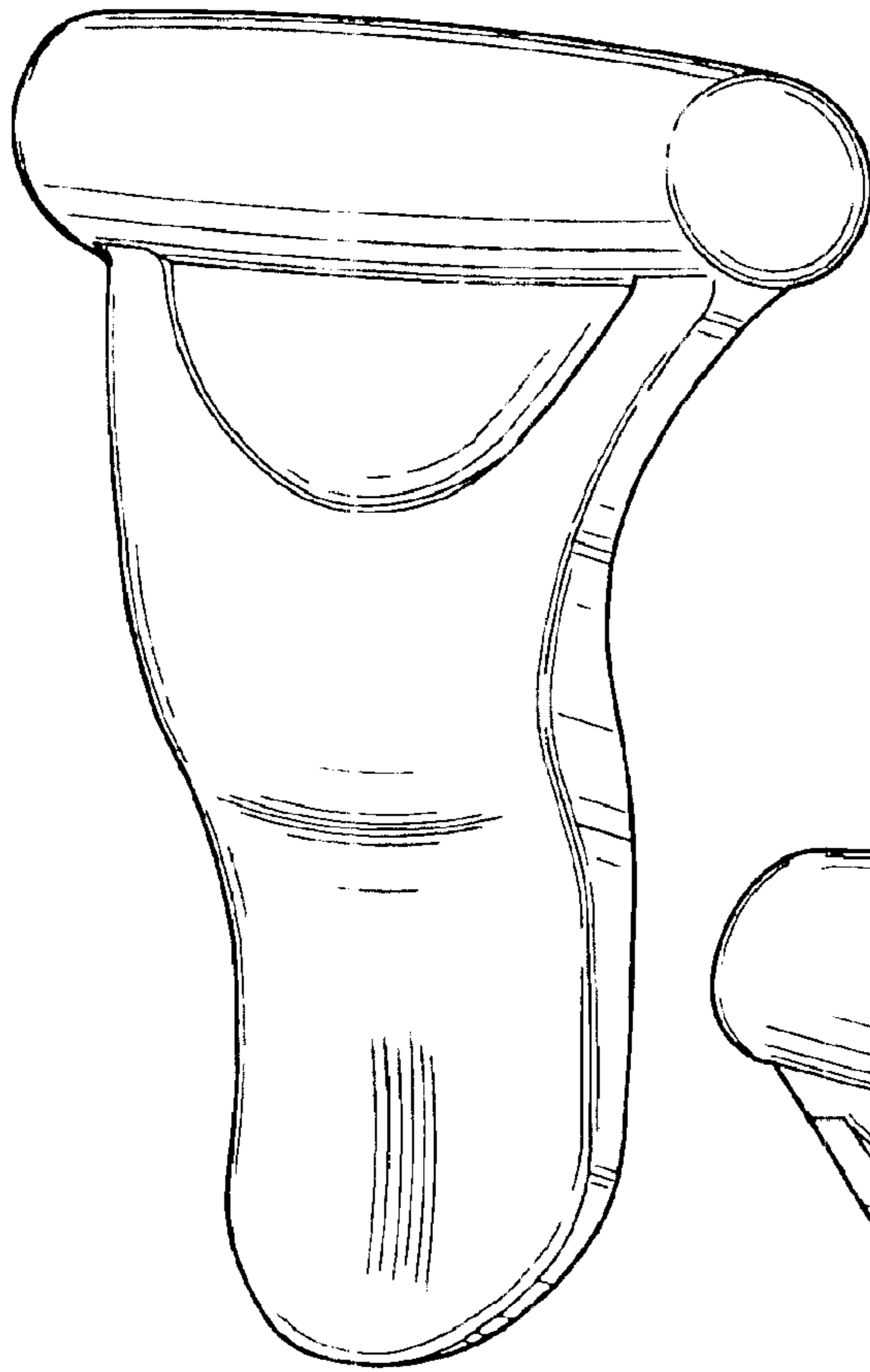


FIG - 3

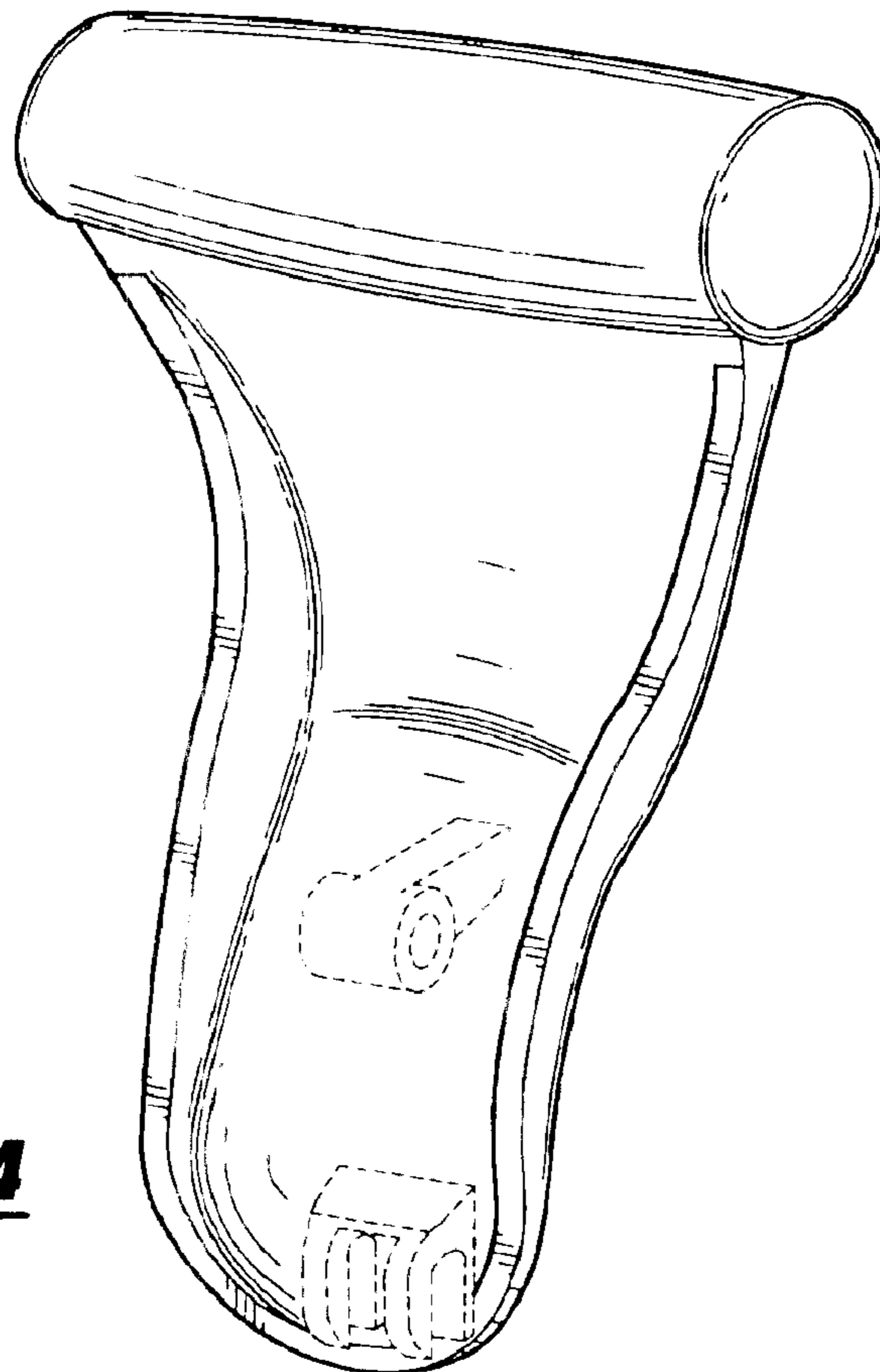


FIG - 4

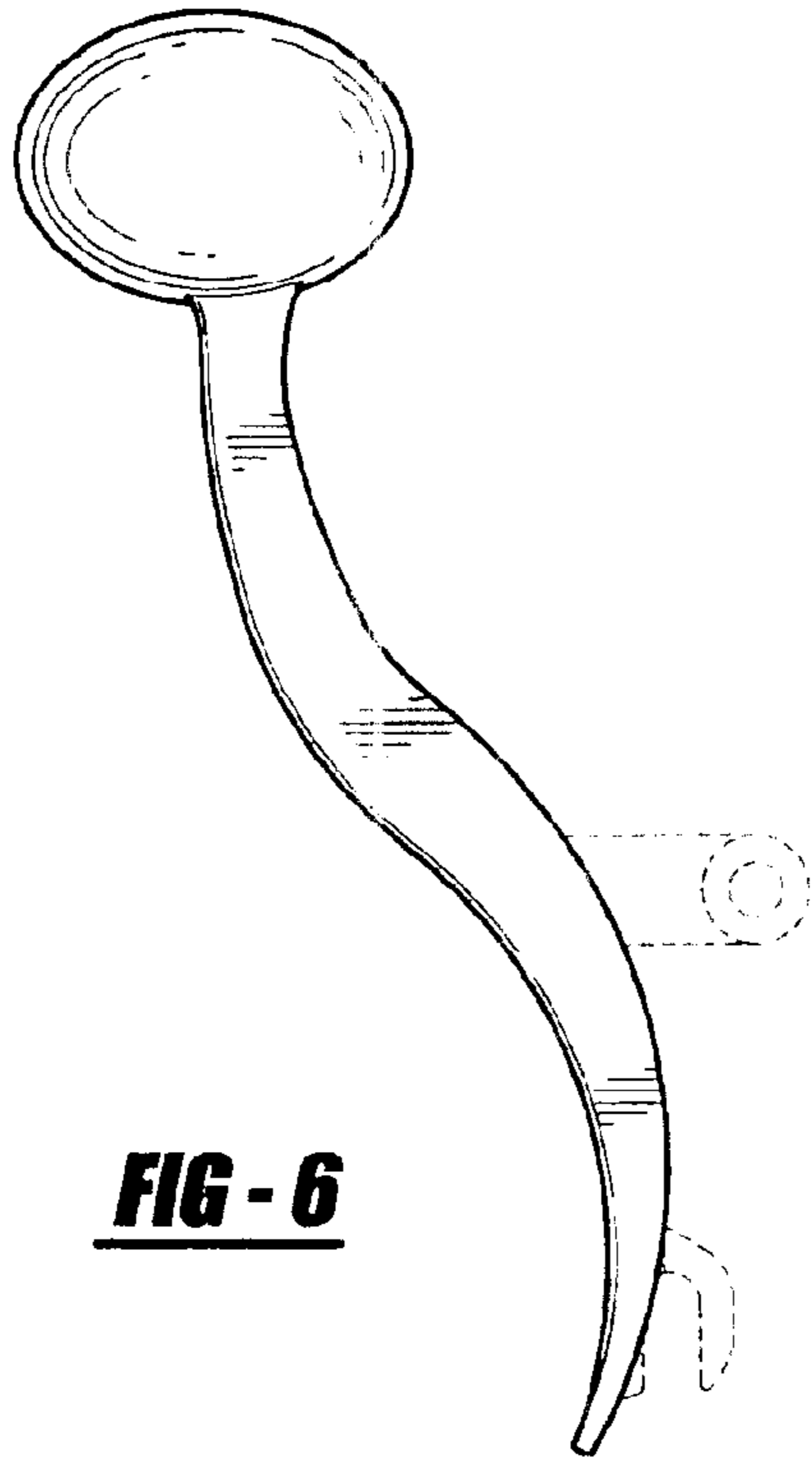


FIG - 6

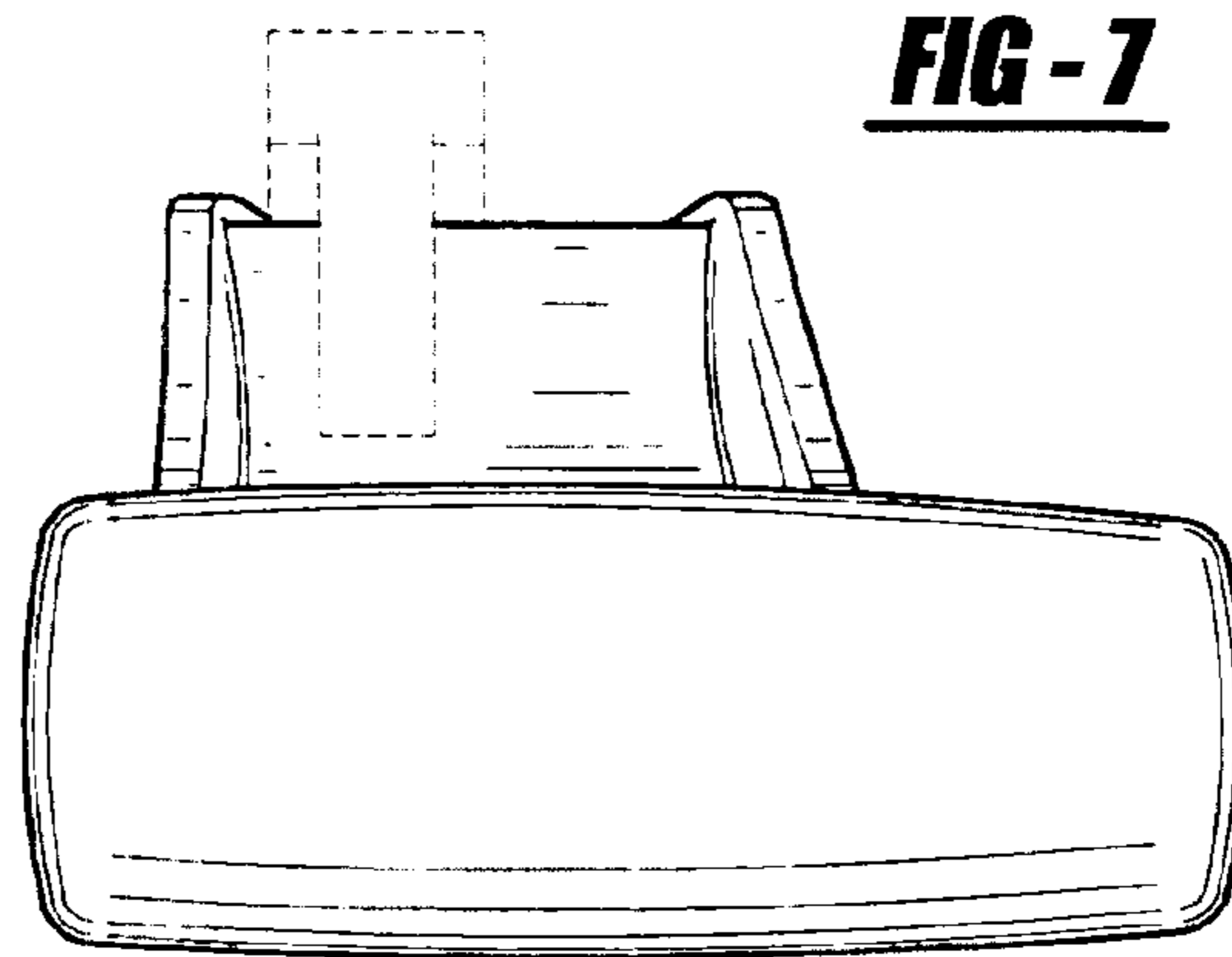


FIG - 7

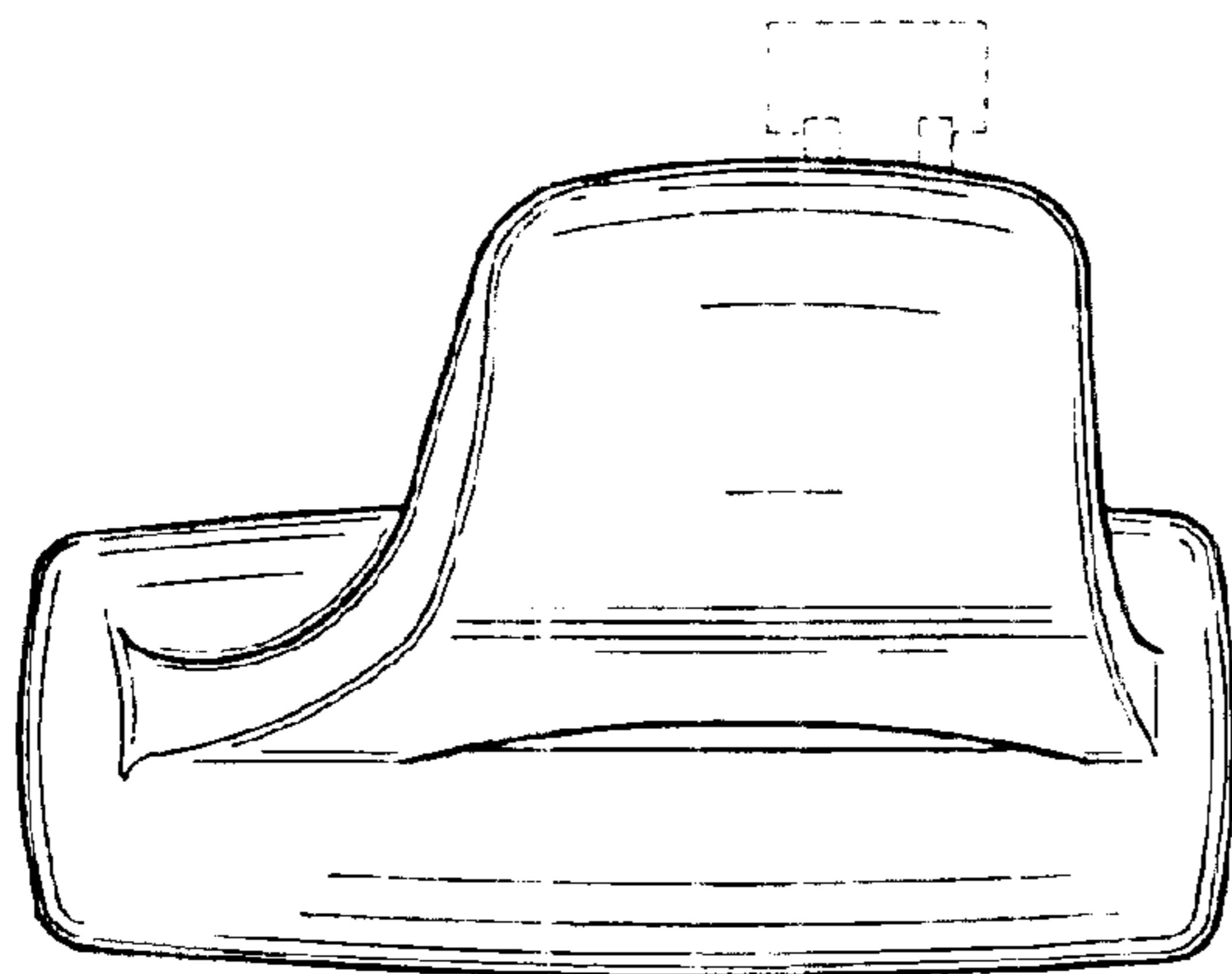


FIG - 8