

US00D502630S

(12) **United States Design Patent**  
**Lubowicki**

(10) **Patent No.:** **US D502,630 S**  
(45) **Date of Patent:** **\*\* Mar. 8, 2005**

- (54) **WAFFLE IRON**
- (75) **Inventor:** **Jean-Pierre Lubowicki, Gruffy (FR)**
- (73) **Assignee:** **Tefal S.A., Rumilly (FR)**
- (\*\*) **Term:** **14 Years**
- (21) **Appl. No.:** **29/195,400**
- (22) **Filed:** **Dec. 10, 2003**
- (51) **LOC (7) Cl.** ..... **07-02**
- (52) **U.S. Cl.** ..... **D7/352**
- (58) **Field of Search** ..... **D7/323, 328-330,**  
**D7/352-361, 409-411; 99/372-379, 385-402;**  
**219/524, 525**

D489,566 S \* 5/2004 Moine ..... D7/352

\* cited by examiner

*Primary Examiner*—Caron D. Veynar  
(74) *Attorney, Agent, or Firm*—Kirkpatrick & Lockhart, LLP; Anthony H. Handal

(57) **CLAIM**

I claim the ornamental design for a waffle iron, as shown and described.

**DESCRIPTION**

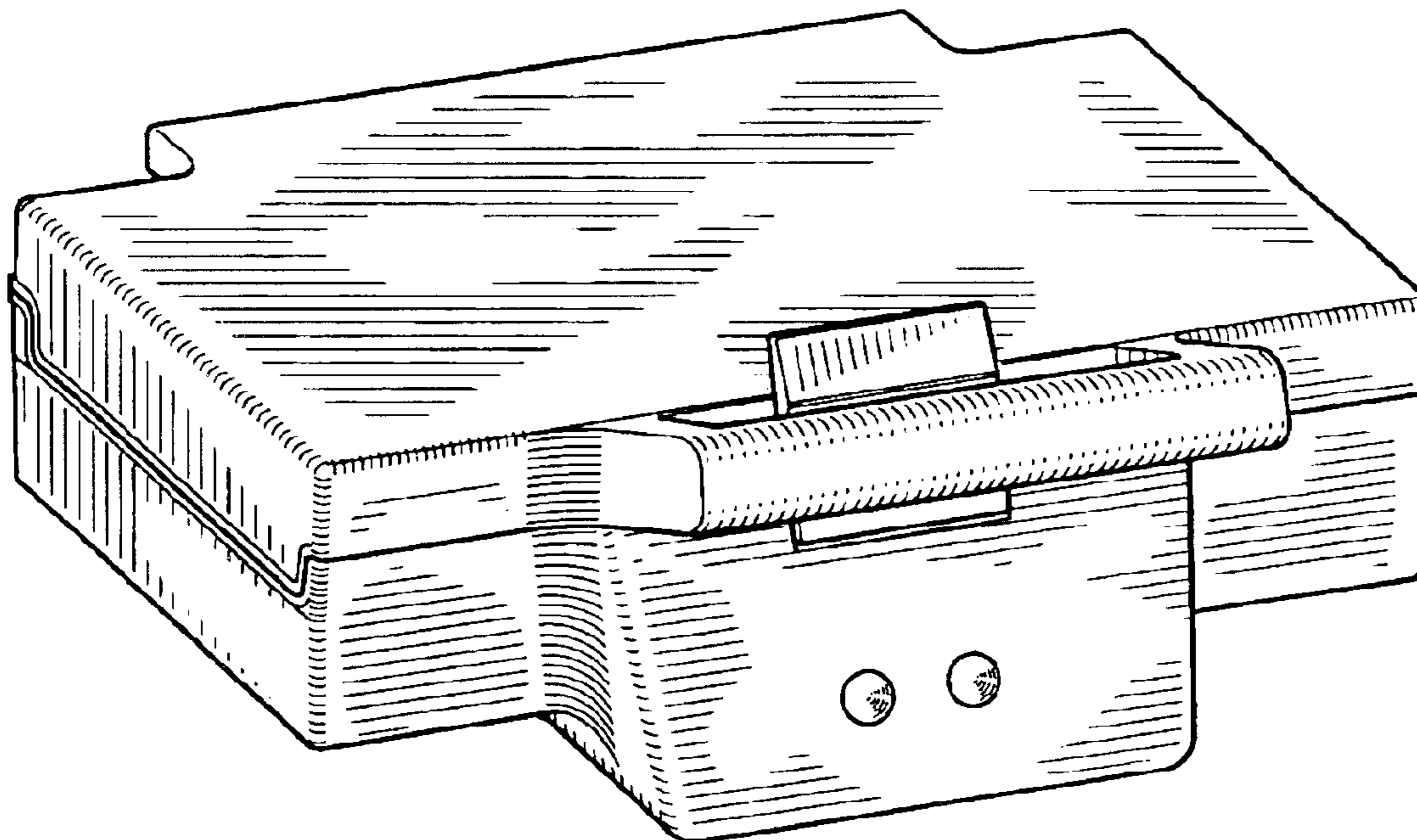
FIG. 1 is a front, left, top perspective view of the new ornamental waffle iron of the present invention;  
FIG. 2 is a front left perspective view of the opened waffle iron of the present invention;  
FIG. 3 is a bottom view of the waffle iron of the present invention;  
FIG. 4 is a bottom plan view thereof;  
FIG. 5 is a left side view thereof;  
FIG. 6 is a right side view thereof; and,  
FIG. 7 is a front view thereof.

(56) **References Cited**

**U.S. PATENT DOCUMENTS**

- D195,801 S \* 7/1963 Carpenter ..... D7/352
- D213,931 S \* 4/1969 Bardeau ..... D7/352
- D235,610 S \* 7/1975 Giguere ..... D7/352
- D266,306 S \* 9/1982 Ansel ..... D7/352
- D367,994 S \* 3/1996 Bloom et al. .... D7/352

**1 Claim, 7 Drawing Sheets**



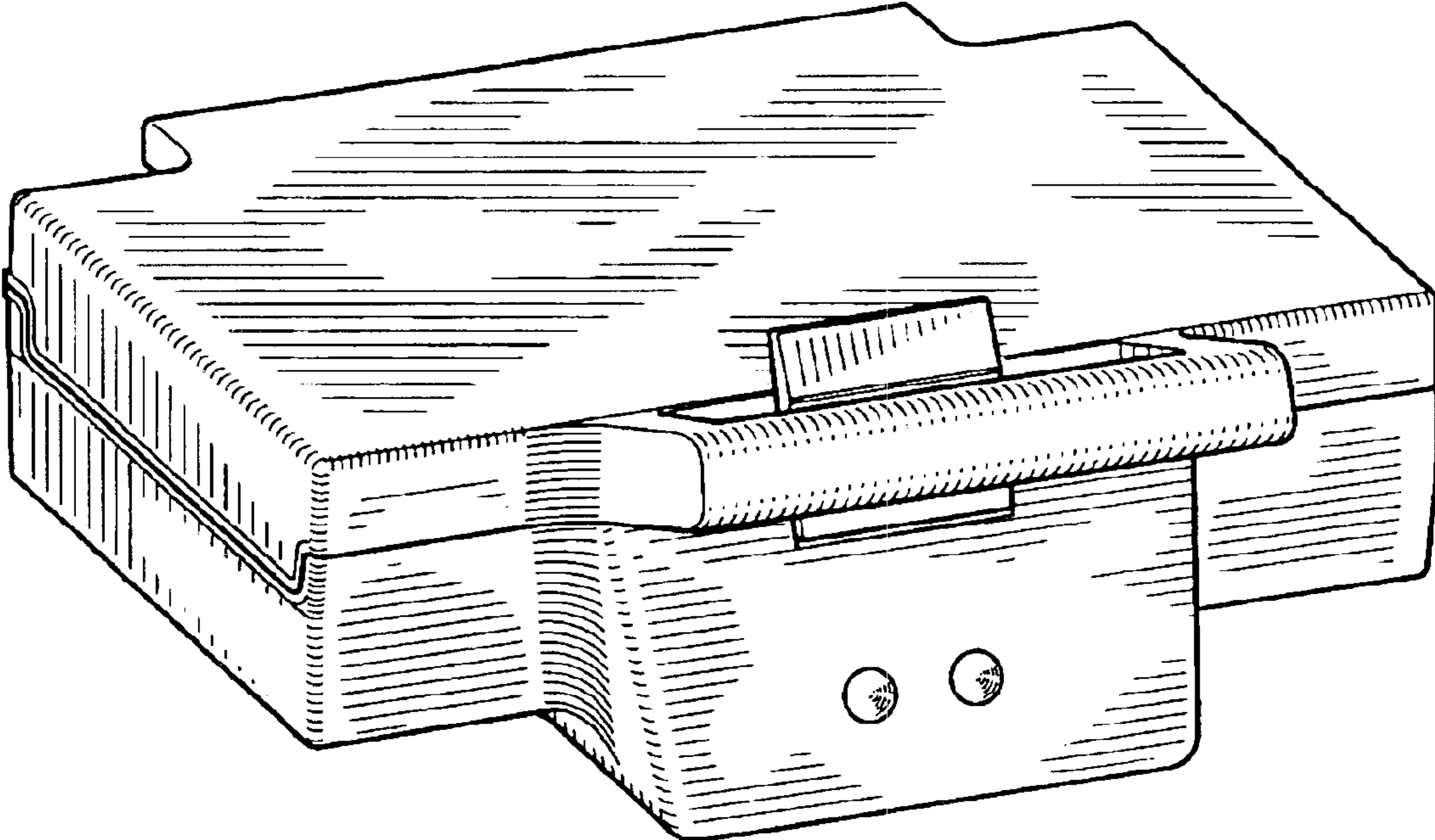


Fig. 1

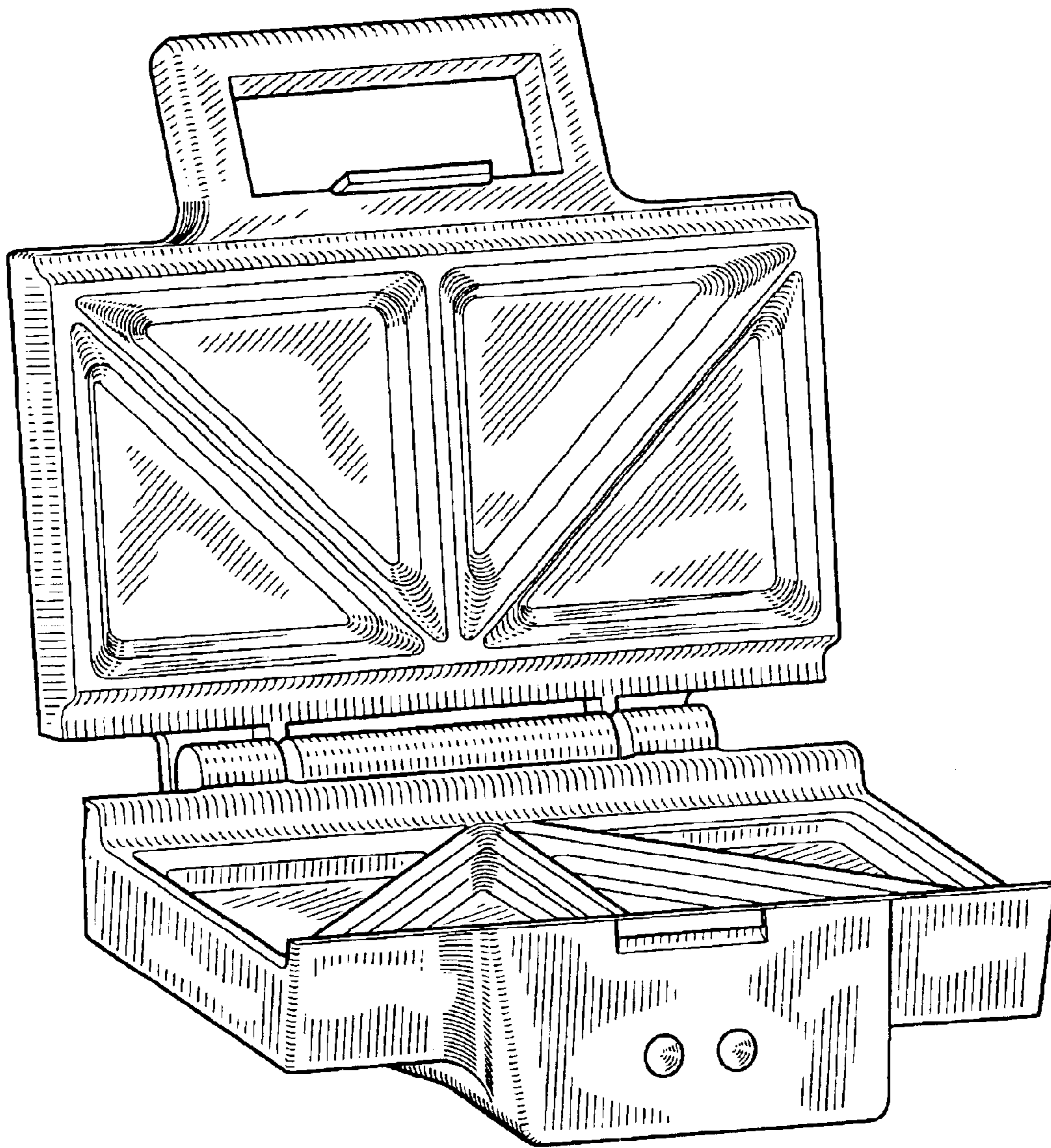


Fig. 2

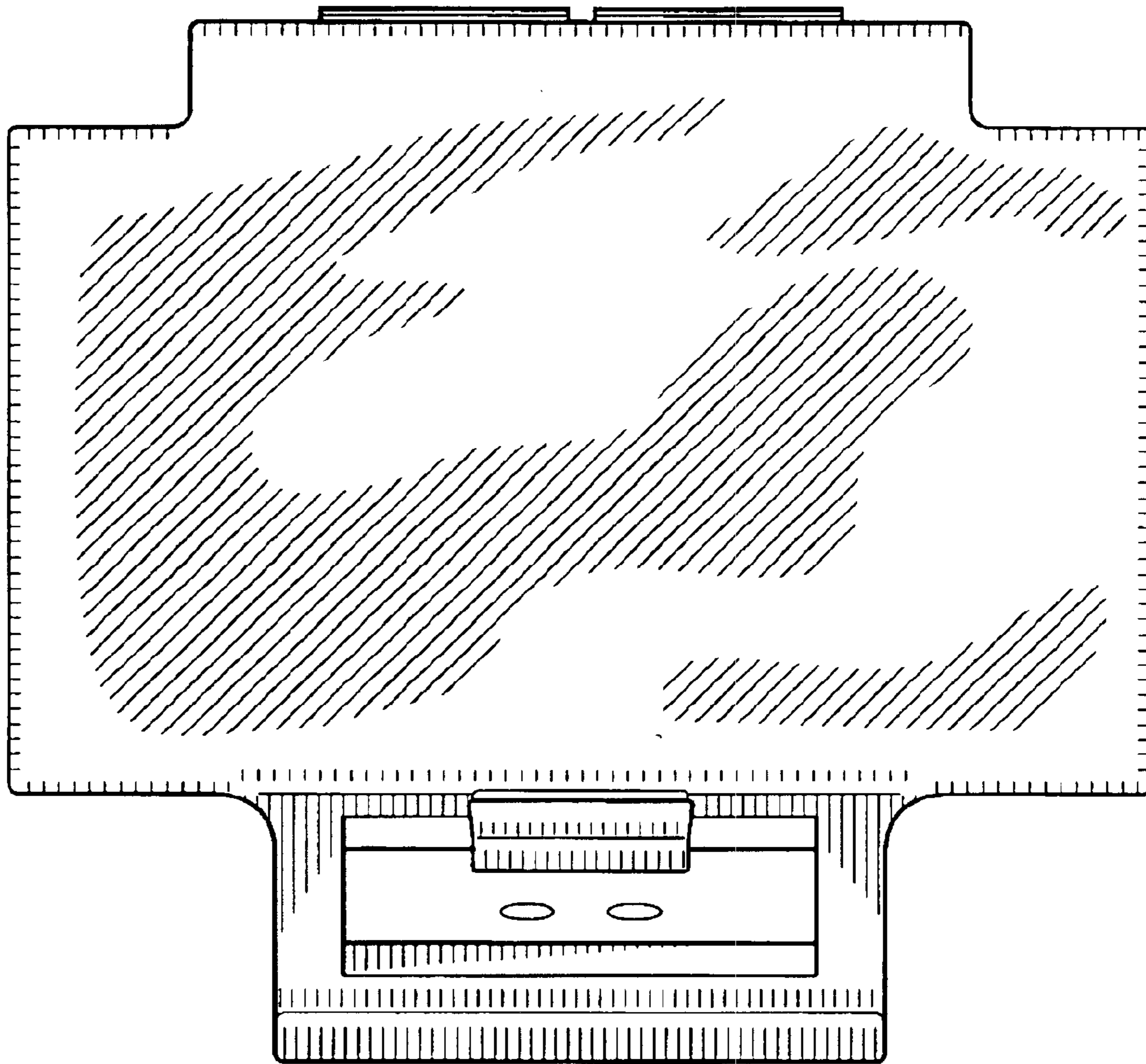


Fig. 3

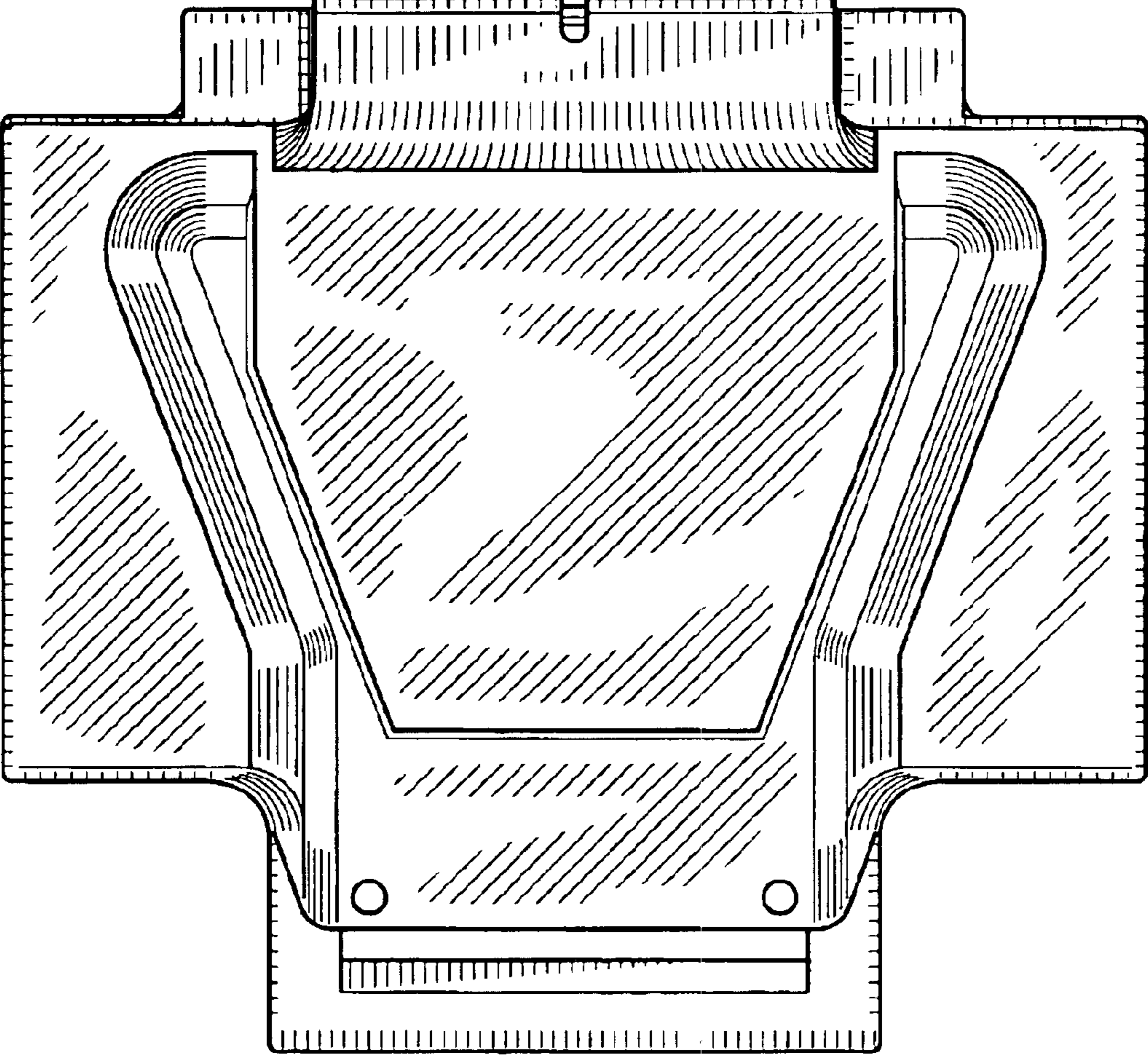


Fig. 4

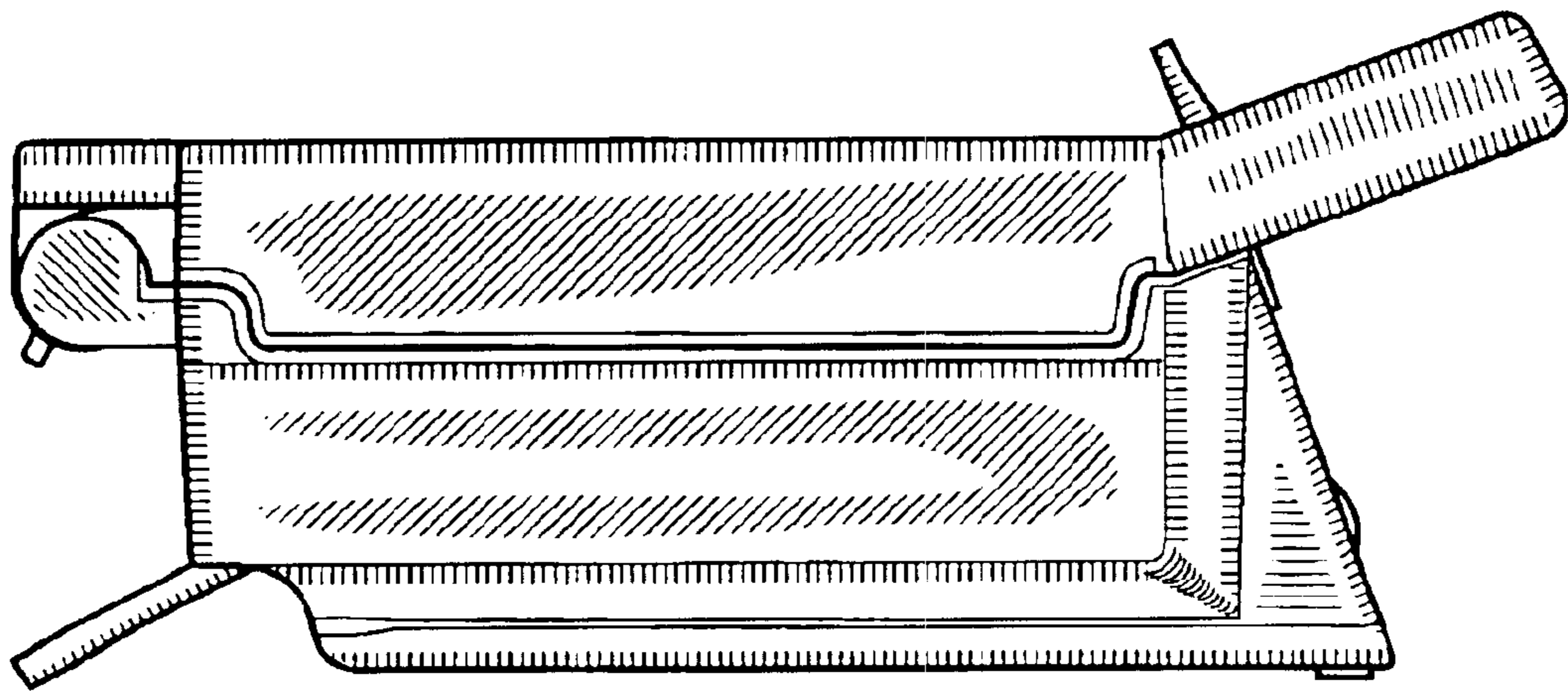


Fig. 5

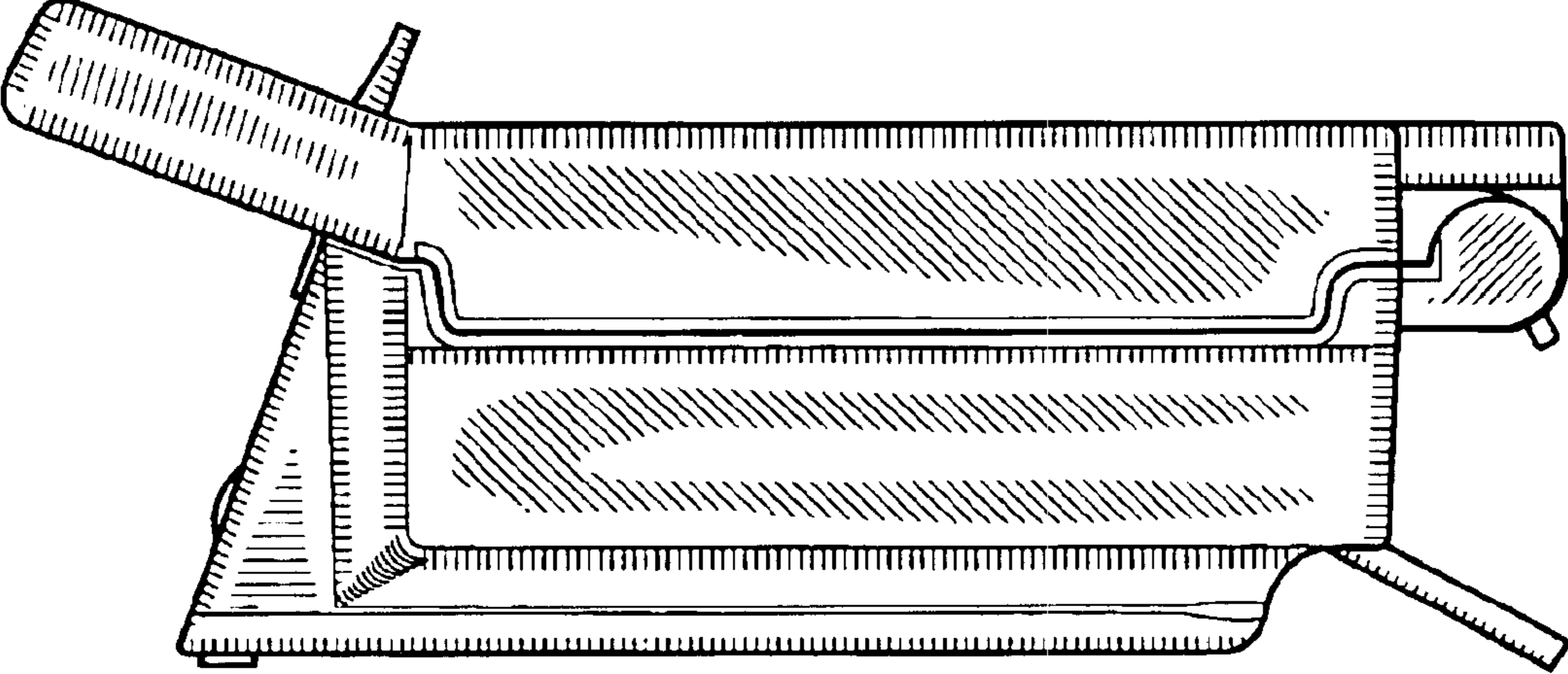


Fig. 6

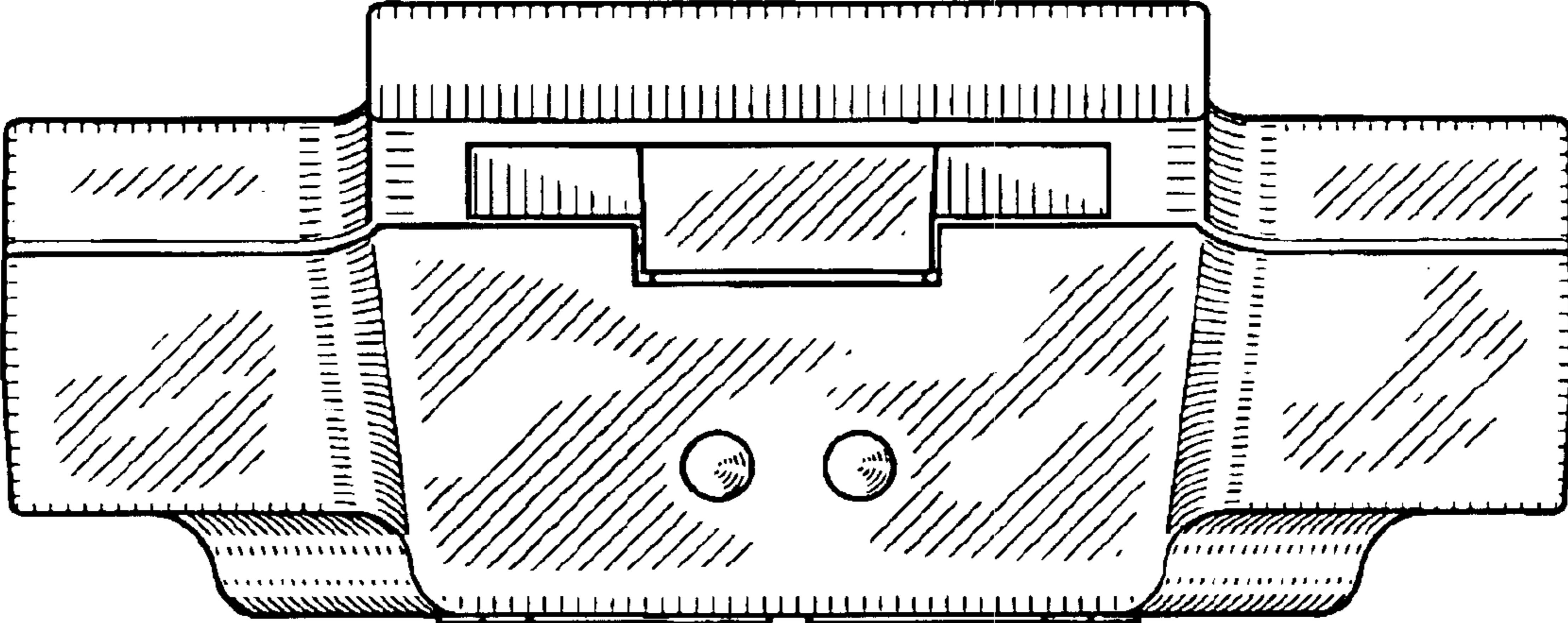


Fig. 7