

US00D502628S

(12) **United States Design Patent**
Ledingham et al.

(10) **Patent No.:** **US D502,628 S**
(45) **Date of Patent:** **** Mar. 8, 2005**

(54) **COFFEE MAKER**

(75) Inventors: **John B. Ledingham**, St. Joseph, MI
(US); **Henry Haiying Wu**, St. Joseph,
MI (US)

(73) Assignee: **Whirlpool Corporation**, Benton
Harbor, MI (US)

(**) Term: **14 Years**

(21) Appl. No.: **29/193,504**

(22) Filed: **Nov. 10, 2003**

(51) **LOC (7) Cl.** **07-01**

(52) **U.S. Cl.** **D7/309; D7/311**

(58) **Field of Search** D7/300, 309, 310,
D7/311, 306, 305; 99/293, 295, 304, 285,
280

(56) **References Cited**

U.S. PATENT DOCUMENTS

- D350,667 S * 9/1994 Saltet D7/309
- D399,385 S * 10/1998 Chong et al. D7/384
- D419,821 S * 2/2000 Powell et al. D7/309
- D449,197 S * 10/2001 Byler D7/309
- D450,520 S * 11/2001 Saltet D7/309
- D457,375 S * 5/2002 Picozza et al. D7/309

- D462,865 S * 9/2002 Honan et al. D7/309
- D474,366 S * 5/2003 Hodges et al. D7/309
- D478,461 S * 8/2003 Hoard D7/309
- D479,089 S * 9/2003 Yao D7/311
- D481,902 S * 11/2003 O'Connor et al. D7/309
- D486,346 S * 2/2004 Jonsson D7/309
- D488,663 S * 4/2004 Price et al. D7/309

* cited by examiner

Primary Examiner—M. N. Pandozzi

(74) *Attorney, Agent, or Firm*—John F. Colligan; Robert O. Rice; Stephen Krefman

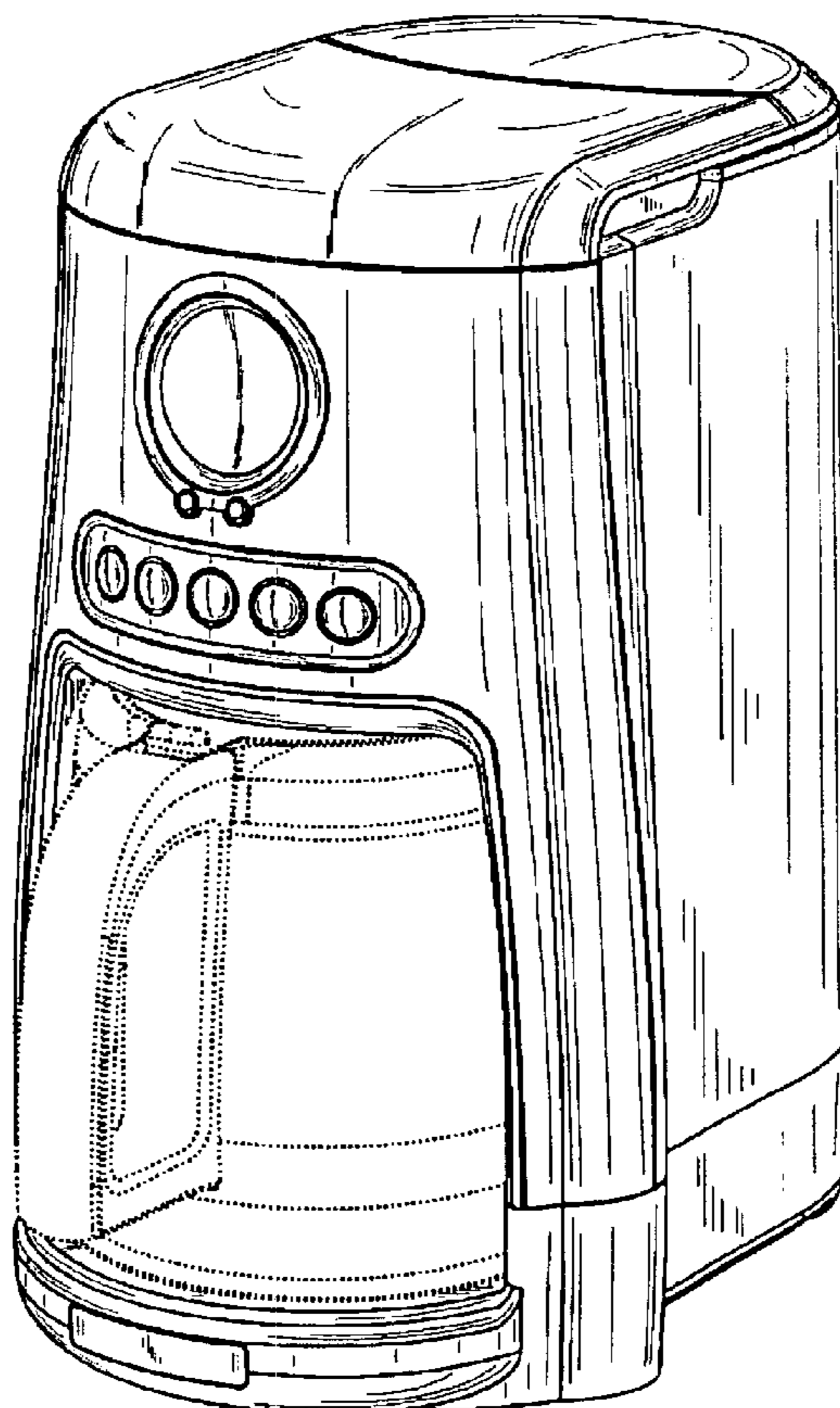
(57) **CLAIM**

The ornamental design for a coffee maker, as shown and described.

DESCRIPTION

FIG. 1 is a front perspective view of the coffee maker, FIG. 2 is a front elevational view thereof; FIG. 3 is a rear elevational view thereof; FIG. 4 is a right side view, the left side view being a mirror image thereof; and, FIG. 5 is top plan view thereof. The broken lines are for illustrative purposes only and forms no part of the claimed design.

1 Claim, 5 Drawing Sheets



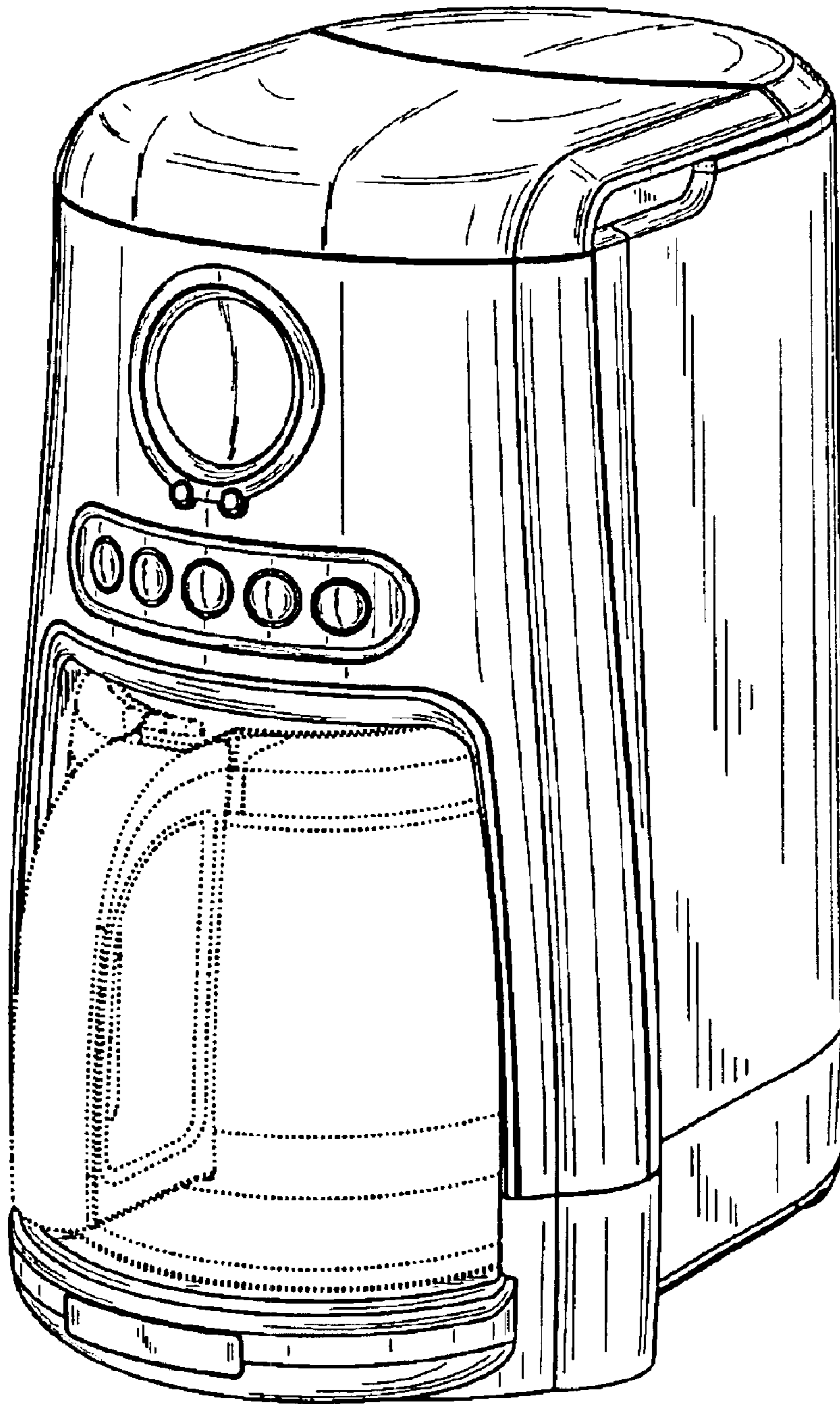


Fig. 1

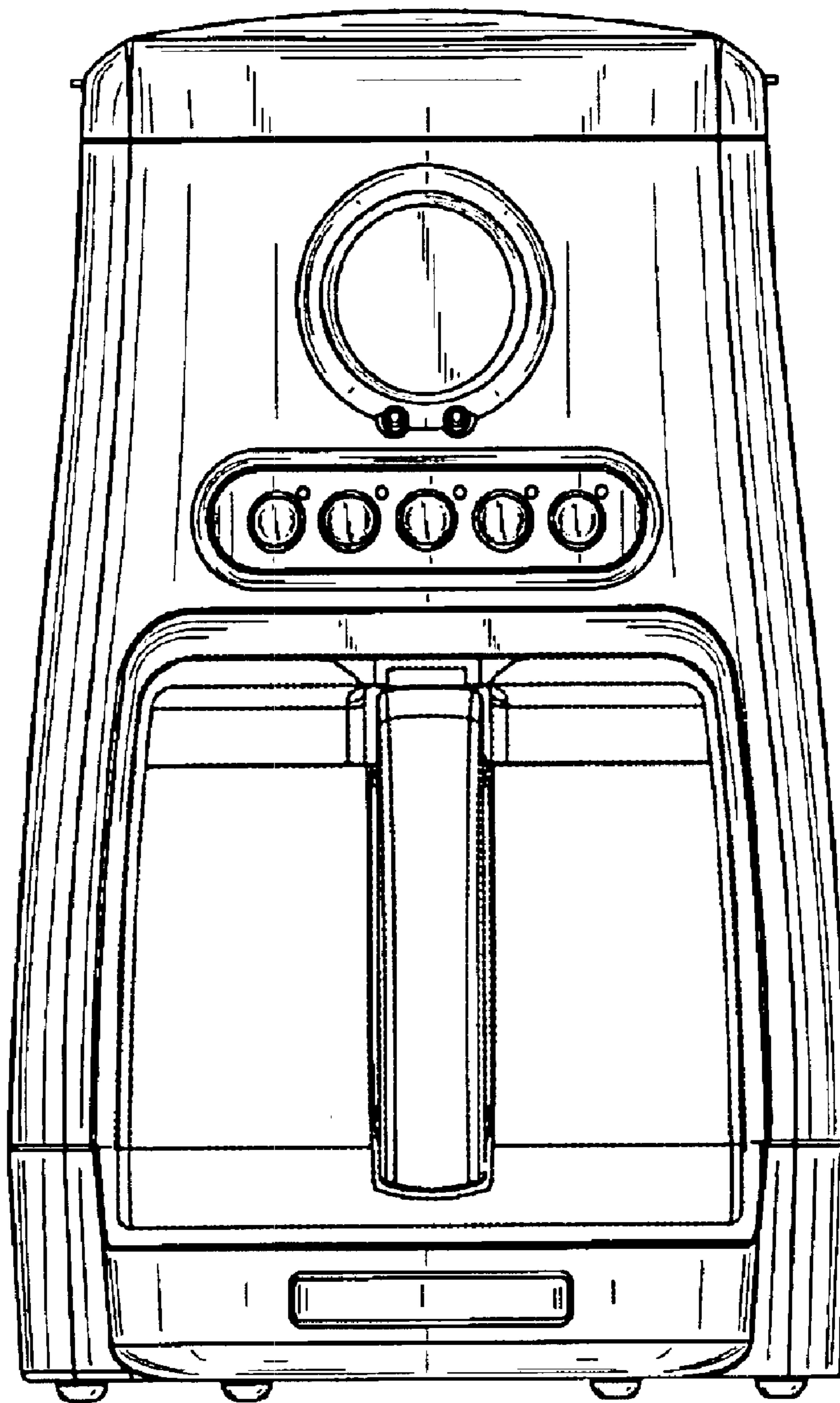


Fig. 2

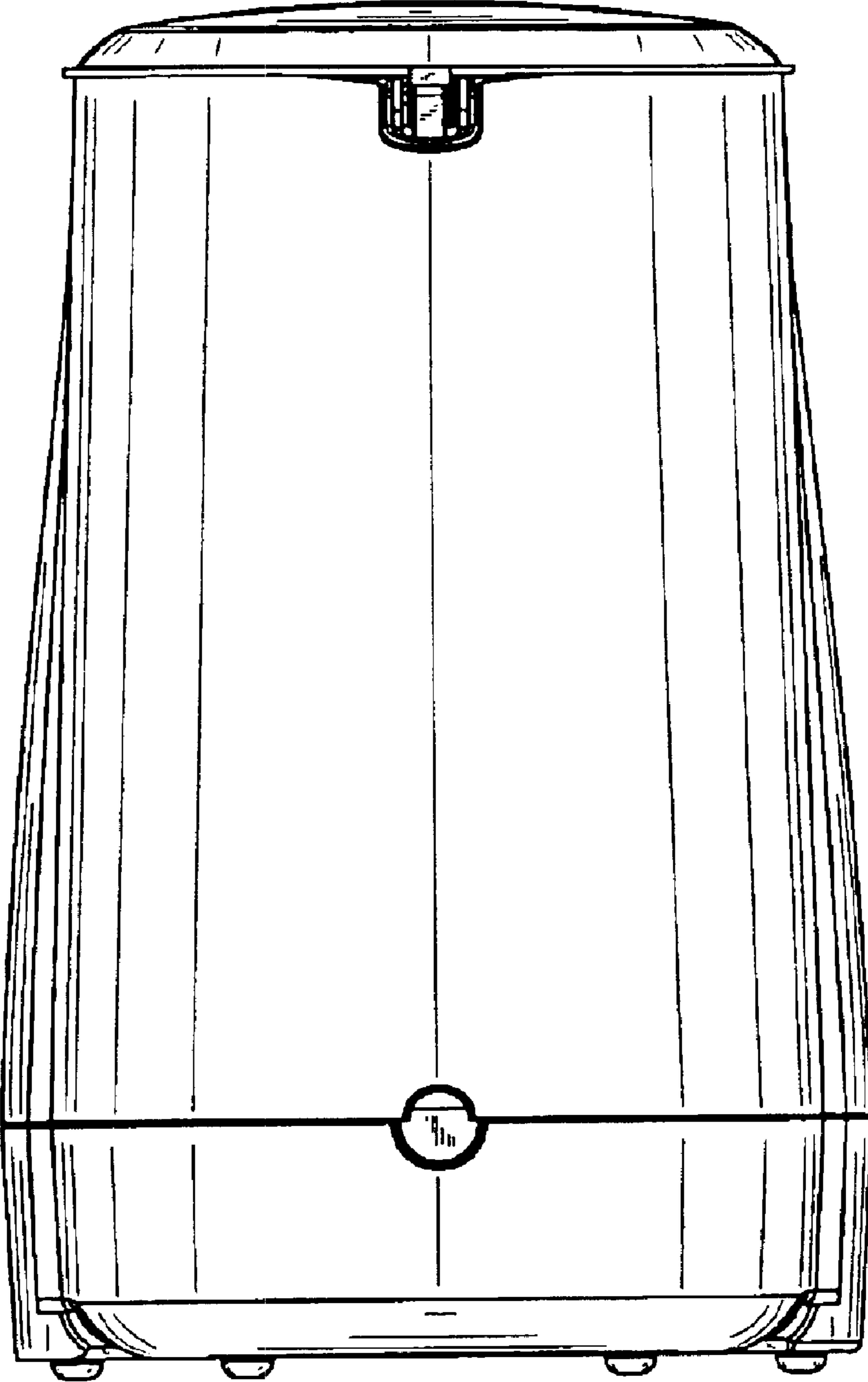


Fig. 3

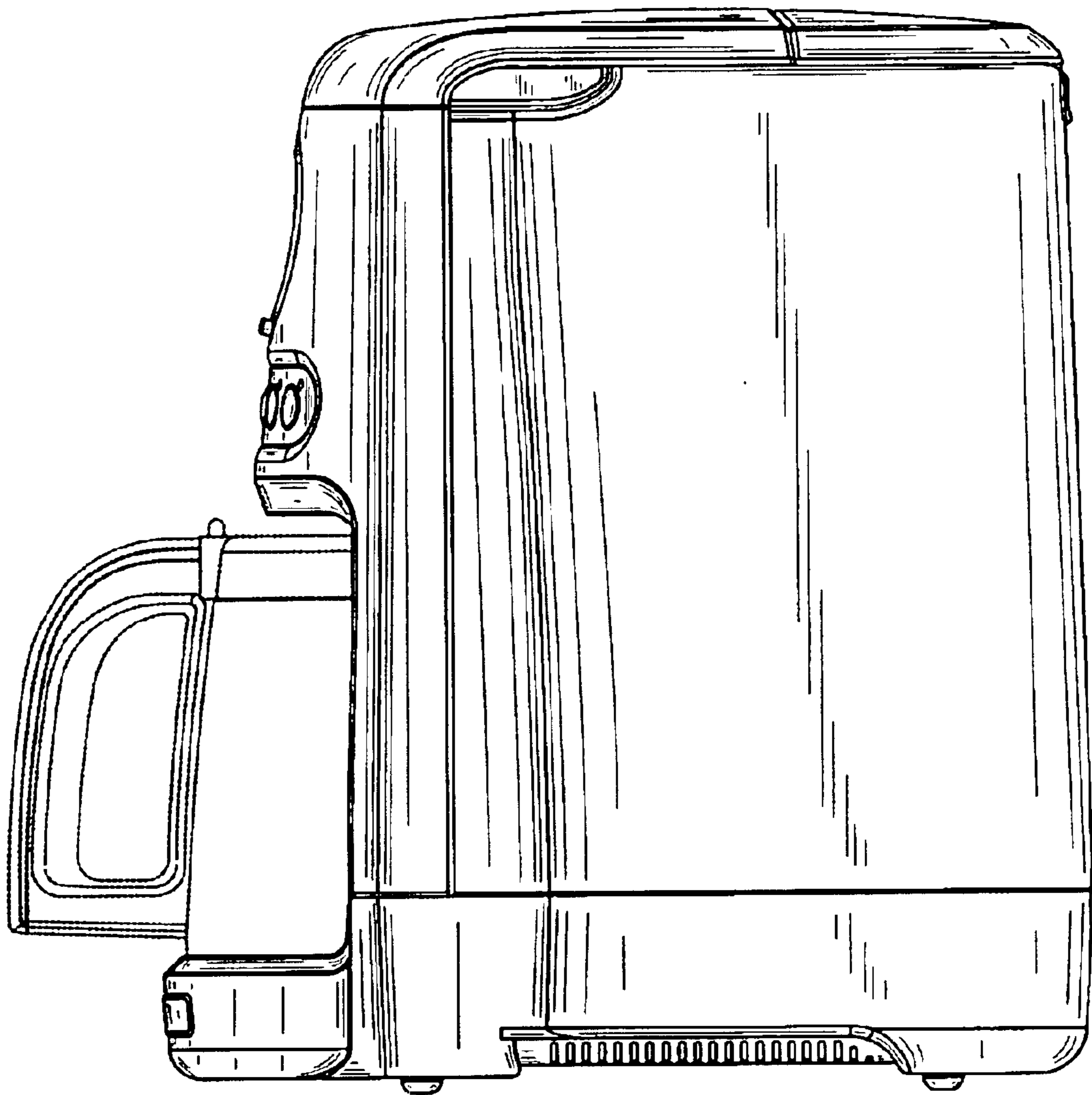


Fig. 4

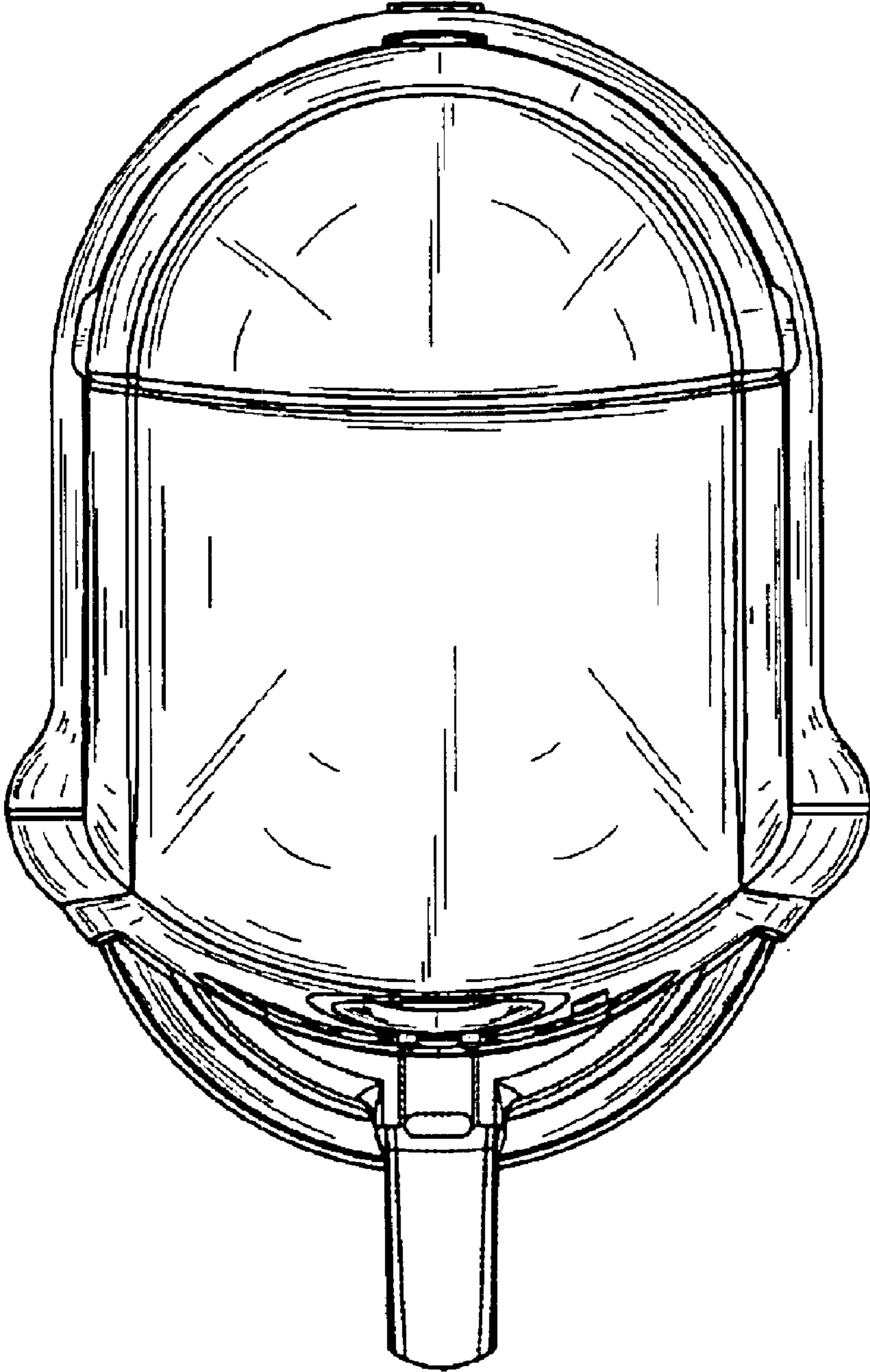


Fig. 5