

US00D502627S

(12) **United States Design Patent**  
**Cahen**

(10) **Patent No.:** **US D502,627 S**  
(45) **Date of Patent:** **\*\* Mar. 8, 2005**

- (54) **COFFEE MACHINE**
- (75) **Inventor:** **Antoine Cahen**, Lausanne (CH)
- (73) **Assignee:** **Societe des Produits Nestle S.A.**,  
Vevey (CH)
- (\*\*) **Term:** **14 Years**
- (21) **Appl. No.:** **29/181,351**
- (22) **Filed:** **May 9, 2003**
- (51) **LOC (7) Cl.** ..... **07-01**
- (52) **U.S. Cl.** ..... **D7/306; D7/309; D7/311**
- (58) **Field of Search** ..... **D7/309, 310, 311,**  
**D7/306, 300, 307; 99/279, 284, 280; 222/146.1,**  
**108, 129.1, 185, 185.1, 380**

- D419,362 S 1/2000 Bouhuys
- D421,871 S \* 3/2000 Klosinski et al. .... D7/309
- D424,361 S 5/2000 Kuboyama
- D439,788 S \* 4/2001 Bettini ..... D7/309
- D443,792 S 6/2001 Peters et al.
- D452,107 S \* 12/2001 Cahen ..... D7/309
- D455,313 S \* 4/2002 Azadi ..... D7/306
- D455,596 S \* 4/2002 Boos ..... D7/309
- D460,653 S \* 7/2002 Cahen ..... D7/309
- D461,358 S \* 8/2002 Cahen ..... D7/309
- 2003/0213718 A1 11/2003 Ducharme et al.

\* cited by examiner

*Primary Examiner*—M. N. Pandozzi  
(74) *Attorney, Agent, or Firm*—Denton L. Anderson;  
Sheldon & Mak

(57) **CLAIM**

The ornamental design for a coffee machine, as shown.

**DESCRIPTION**

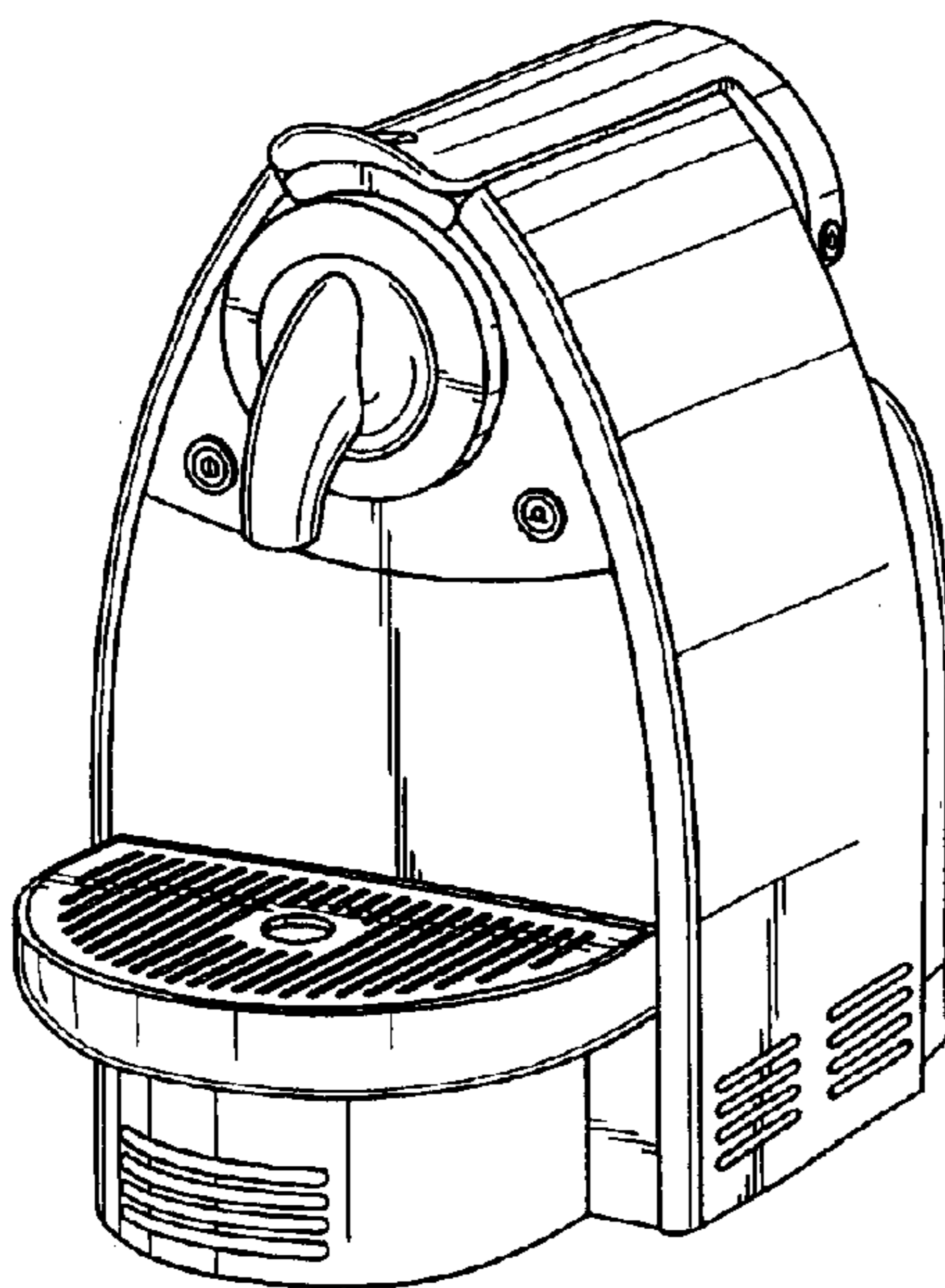
FIG. 1 is a perspective view of a coffee machine showing my new design;  
FIG. 2 is a front view of the coffee machine illustrated in FIG. 1;  
FIG. 3 is a rear view of the coffee machine illustrated in FIG. 1;  
FIG. 4 is a side elevational view thereof;  
FIG. 5 is a top view thereof; and,  
FIG. 6 is a bottom plan view thereof.

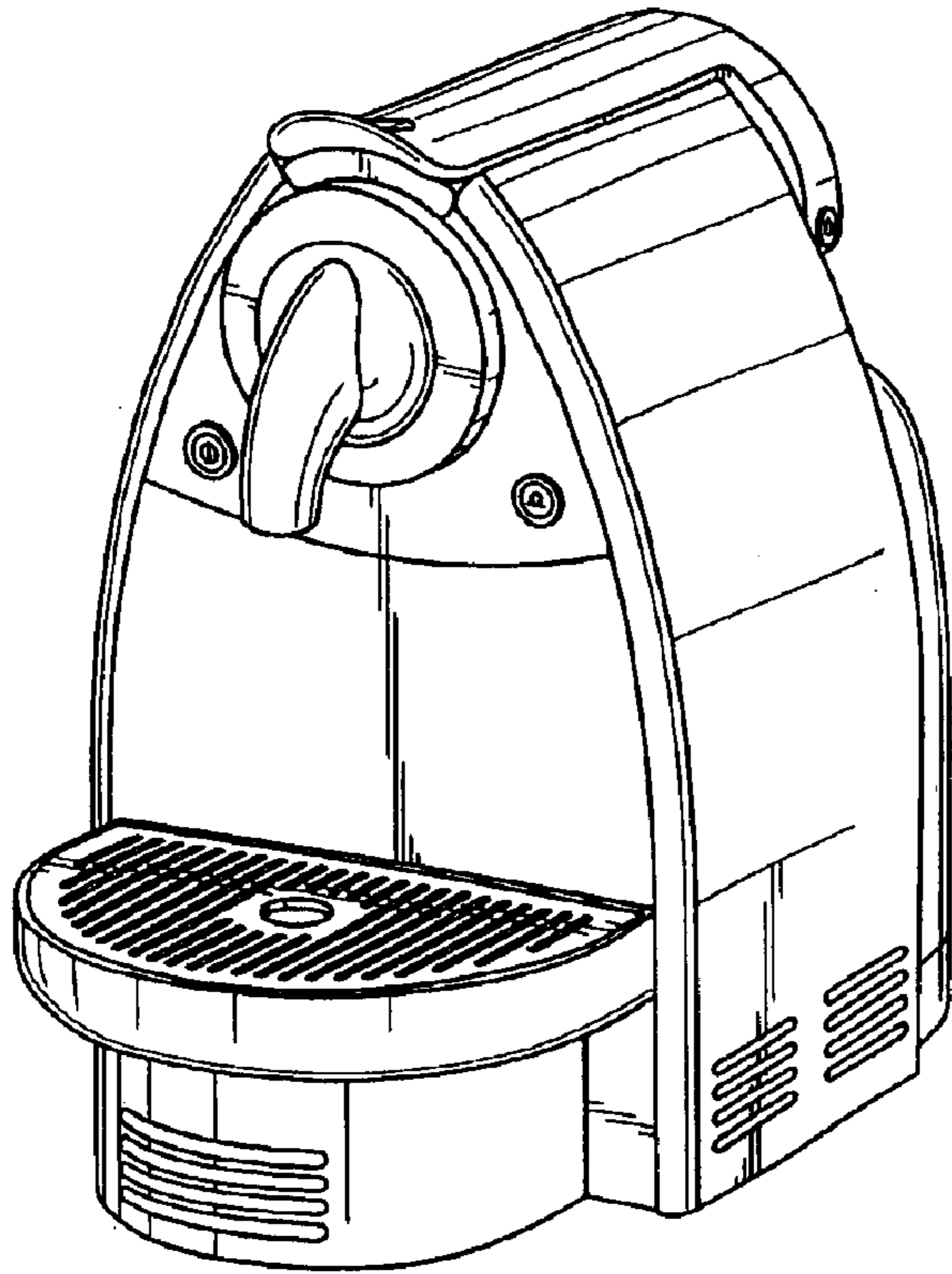
(56) **References Cited**

**U.S. PATENT DOCUMENTS**

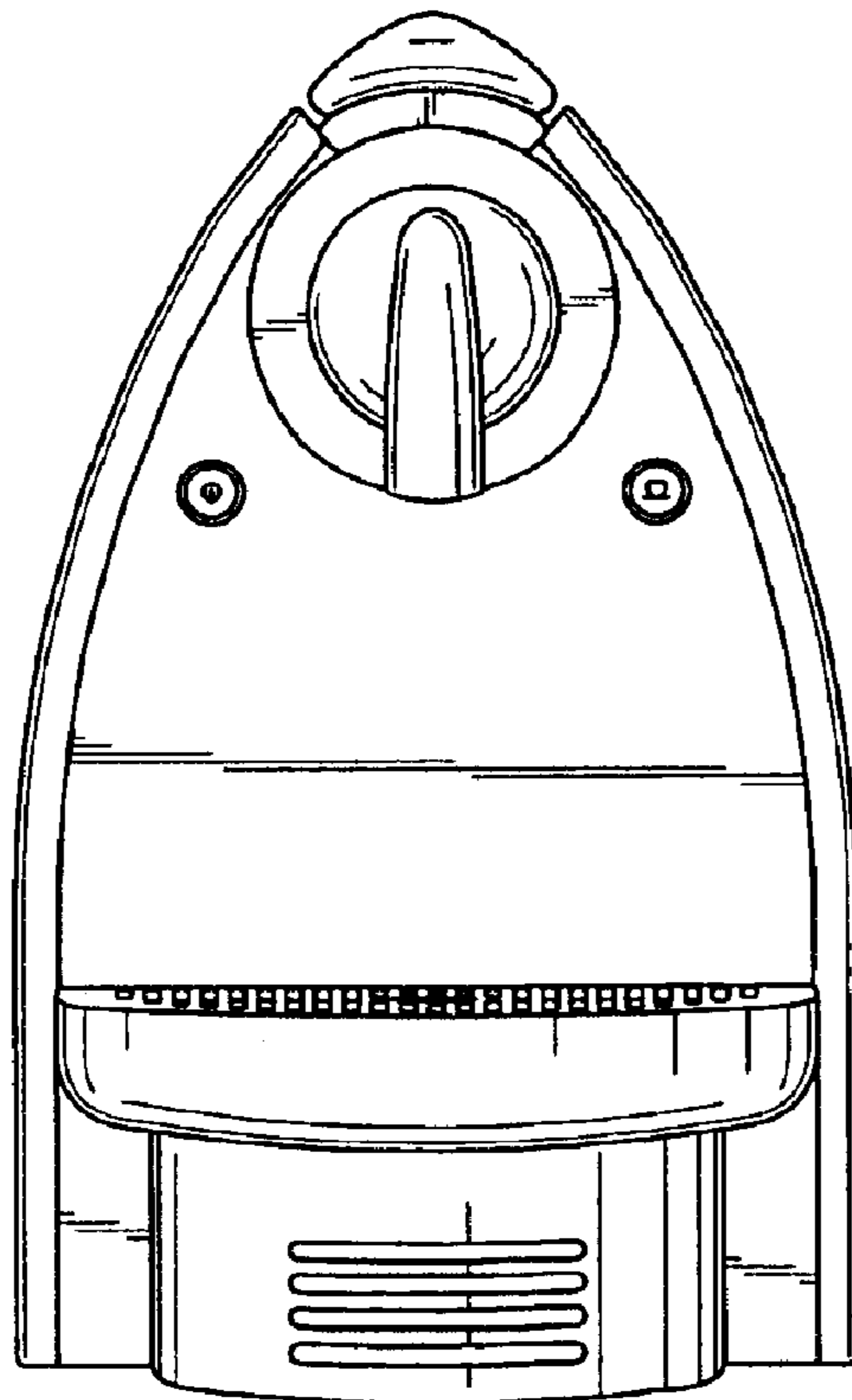
- 2,789,700 A 4/1957 King et al.
- D182,853 S 5/1958 Salati
- D193,083 S \* 6/1962 Hopcraft ..... D7/311
- 3,661,271 A 5/1972 Fisher et al.
- D281,943 S 12/1985 Rosalgino
- D299,304 S \* 1/1989 Knochner et al. .... D7/309
- 4,832,208 A 5/1989 Finnegan
- 5,154,294 A 10/1992 Dunford
- D336,001 S \* 6/1993 Bizzarri ..... D7/309
- D340,162 S 10/1993 Storsberg
- 5,291,998 A 3/1994 Fiebig
- D389,694 S 1/1998 Vinson

**1 Claim, 3 Drawing Sheets**



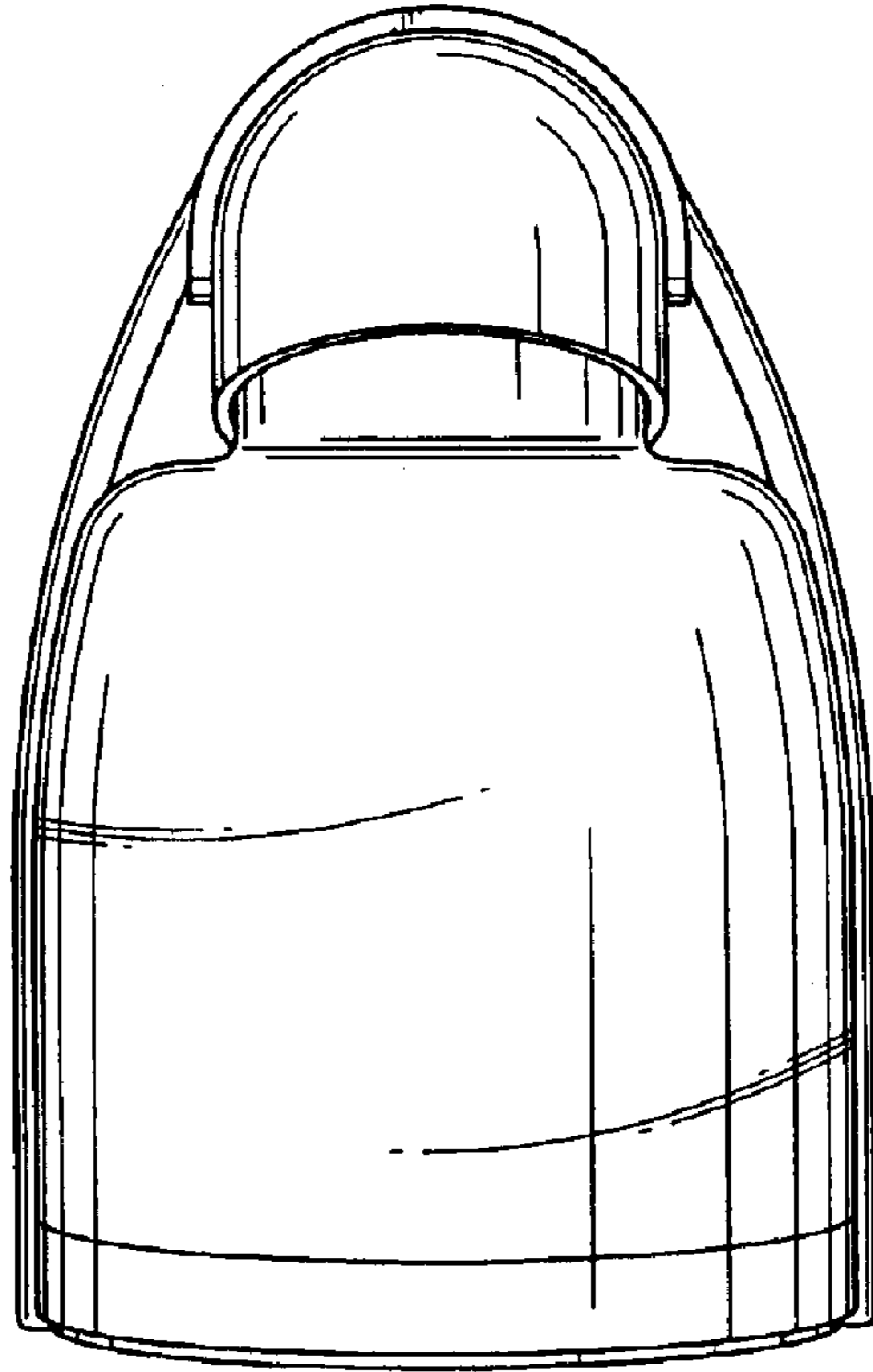


*FIG. 1*

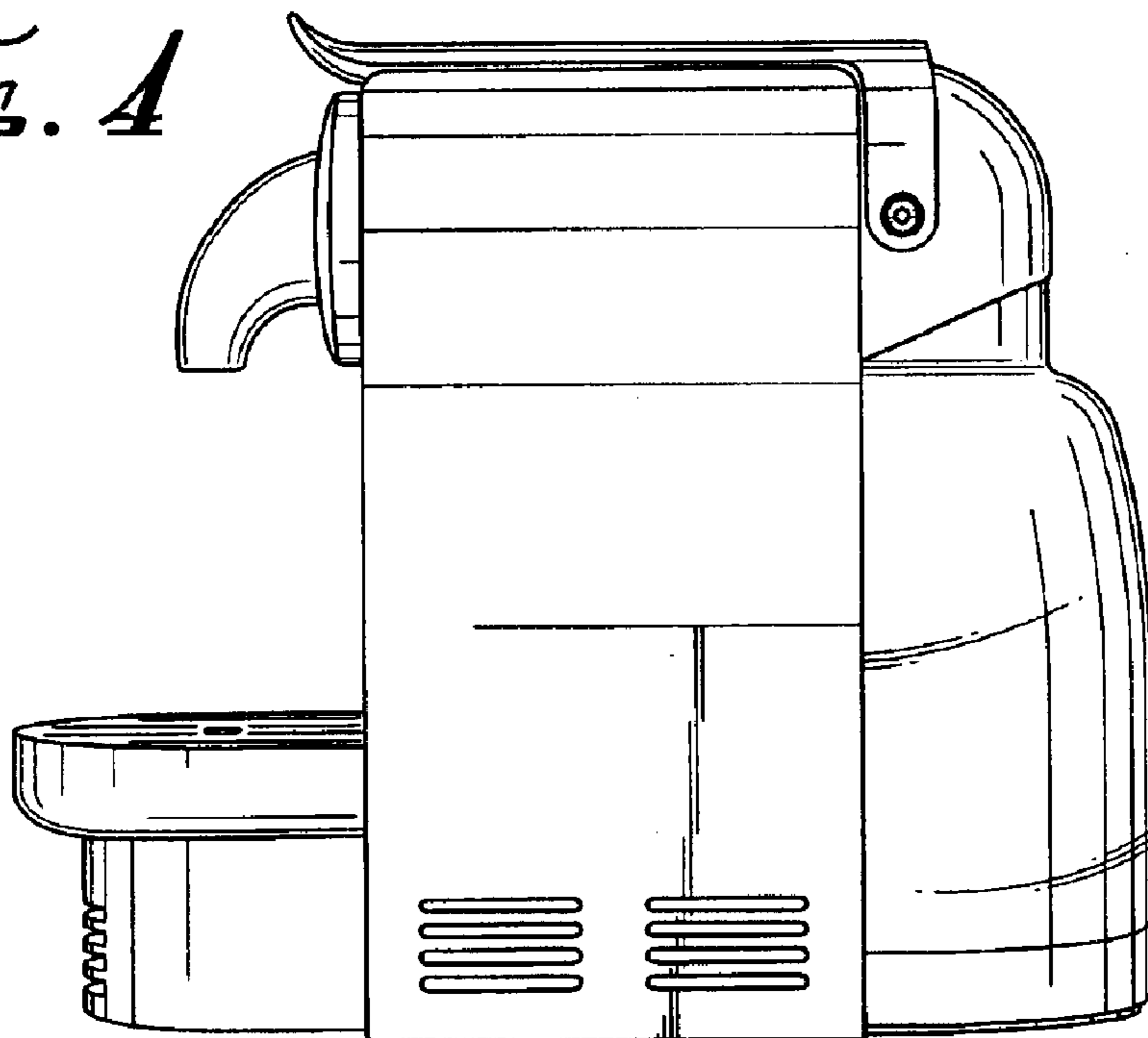


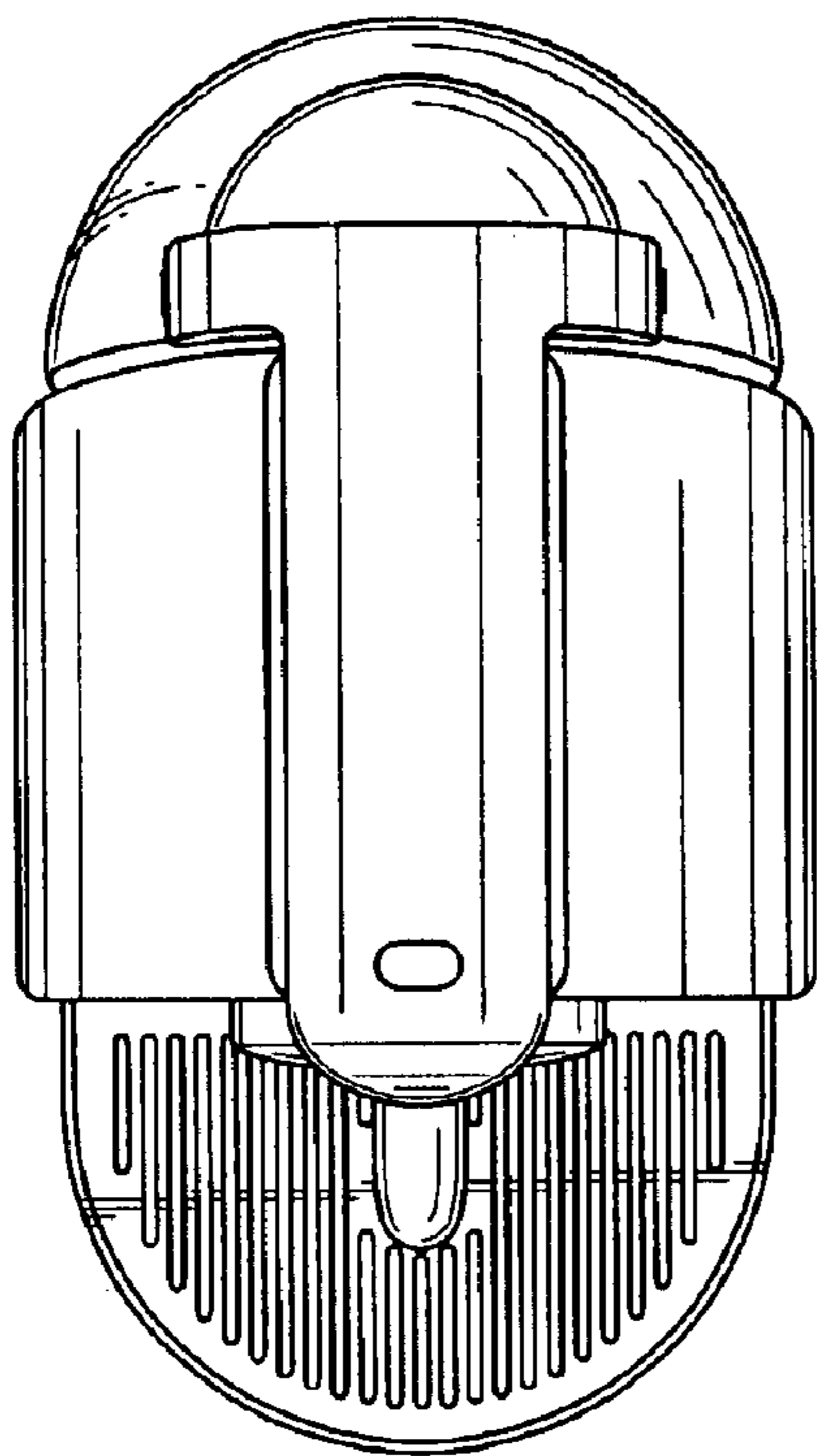
*FIG. 2*

*FIG. 3*

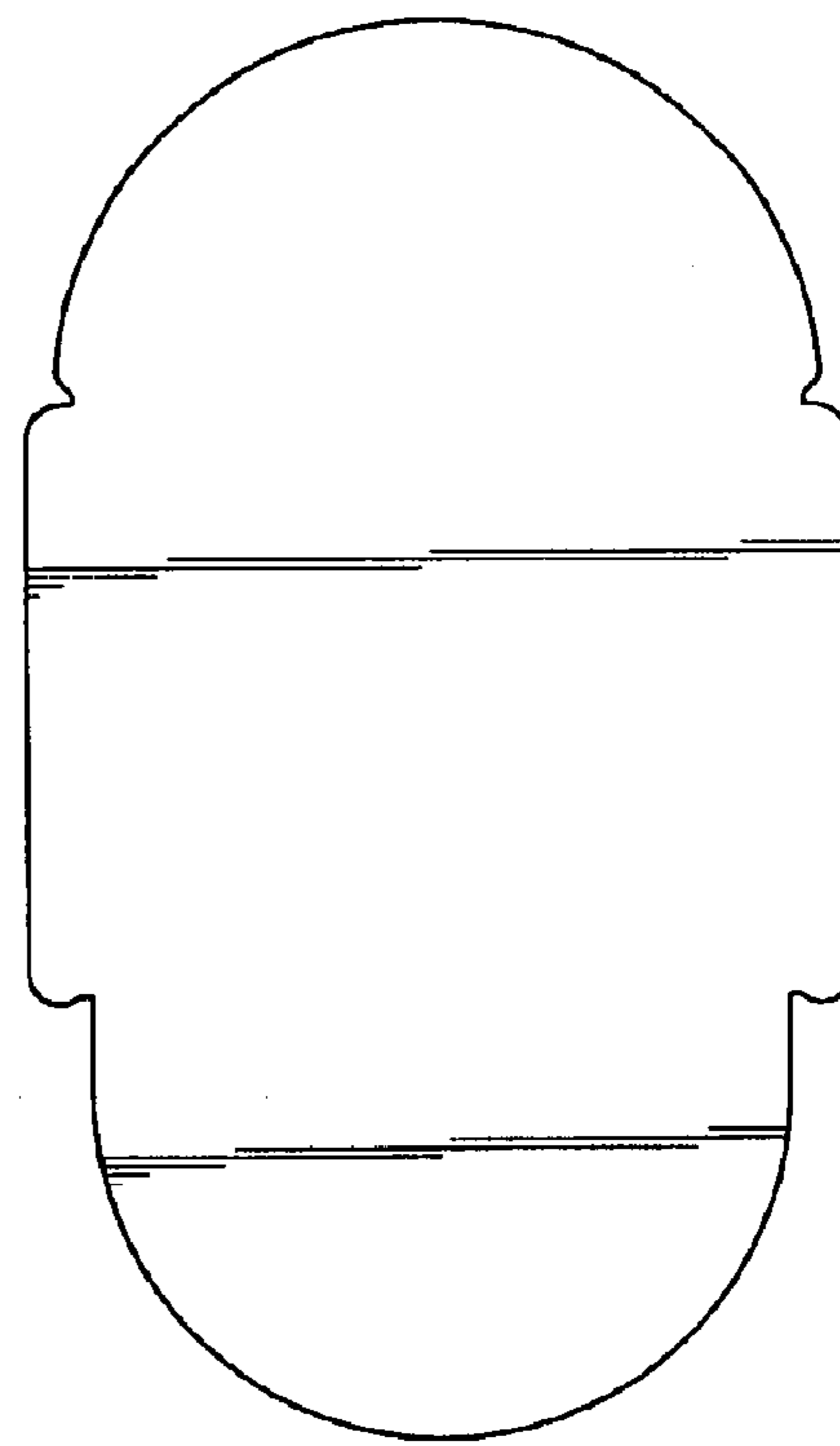


*FIG. 4*





*FIG. 5*



*FIG. 6*