



US00D502625S

(12) **United States Design Patent**  
**Smith et al.**

(10) **Patent No.:** **US D502,625 S**  
(45) **Date of Patent:** **\*\* Mar. 8, 2005**

(54) **RAISABLE PANEL**

(75) Inventors: **Park B. Smith**, New York, NY (US);  
**Linda Johnson**, New York, NY (US)

(73) Assignee: **Park B. Smith, Inc.**, New York, NY  
(US)

(\*\*) Term: **14 Years**

(21) Appl. No.: **29/199,806**

(22) Filed: **Feb. 18, 2004**

(51) **LOC (7) Cl.** ..... **06-10**

(52) **U.S. Cl.** ..... **D6/575**

(58) **Field of Search** ..... D6/575, 578; 160/84.01,  
160/84.04, 237, 348

(56) **References Cited**

**U.S. PATENT DOCUMENTS**

852,187 A	4/1907	Luft	
1,778,499 A	10/1930	King	
2,611,428 A	9/1952	Van Cleeff	160/349
2,627,918 A	2/1953	Gordon	
2,668,587 A	2/1954	London et al.	160/349
2,671,508 A	3/1954	Gordon	
2,779,405 A	1/1957	Hess	160/348
2,840,155 A	6/1958	Stern	160/124
2,952,315 A	9/1960	Brontman	
3,160,202 A	12/1964	Rosen	
3,322,182 A	5/1967	Paella	
3,487,875 A	1/1970	Shukat et al.	
3,754,589 A	8/1973	Helmberg et al.	160/349
3,777,800 A	12/1973	Susoev	160/84
3,952,788 A	4/1976	Scholer	160/84
3,999,590 A	12/1976	Koch	160/84
4,069,857 A	1/1978	Brookshire	160/84
D256,536 S	8/1980	Atkins	D6/208.1
D277,061 S	1/1985	Picoy	D6/575
4,501,311 A *	2/1985	Folland	160/127

(List continued on next page.)

**OTHER PUBLICATIONS**

Windoware catalog 1996 p. 26, Flat Roman Shade; design digest.\*

(List continued on next page.)

*Primary Examiner*—Robin V. Taylor

(74) *Attorney, Agent, or Firm*—Alston & Bird LLP

(57) **CLAIM**

The ornamental design for a raisable panel, as shown and described.

**DESCRIPTION**

FIG. 1 is a front side perspective view of our new design for a raisable panel, wherein the raisable panel is partially drawn.

FIG. 2 is a backside perspective view thereof, wherein the raisable panel is partially drawn.

FIG. 3 is a front side perspective view thereof, wherein the raisable panel is fully drawn;

FIG. 4 is a back side perspective view thereof, wherein the raisable panel is fully drawn;

FIG. 5 is a view of the front side thereof, wherein the raisable panel is fully drawn.

FIG. 6 is a view of the backside thereof, wherein the raisable panel de is fully drawn;

FIG. 7 is a top view thereof, wherein the raisable panel is fully drawn;

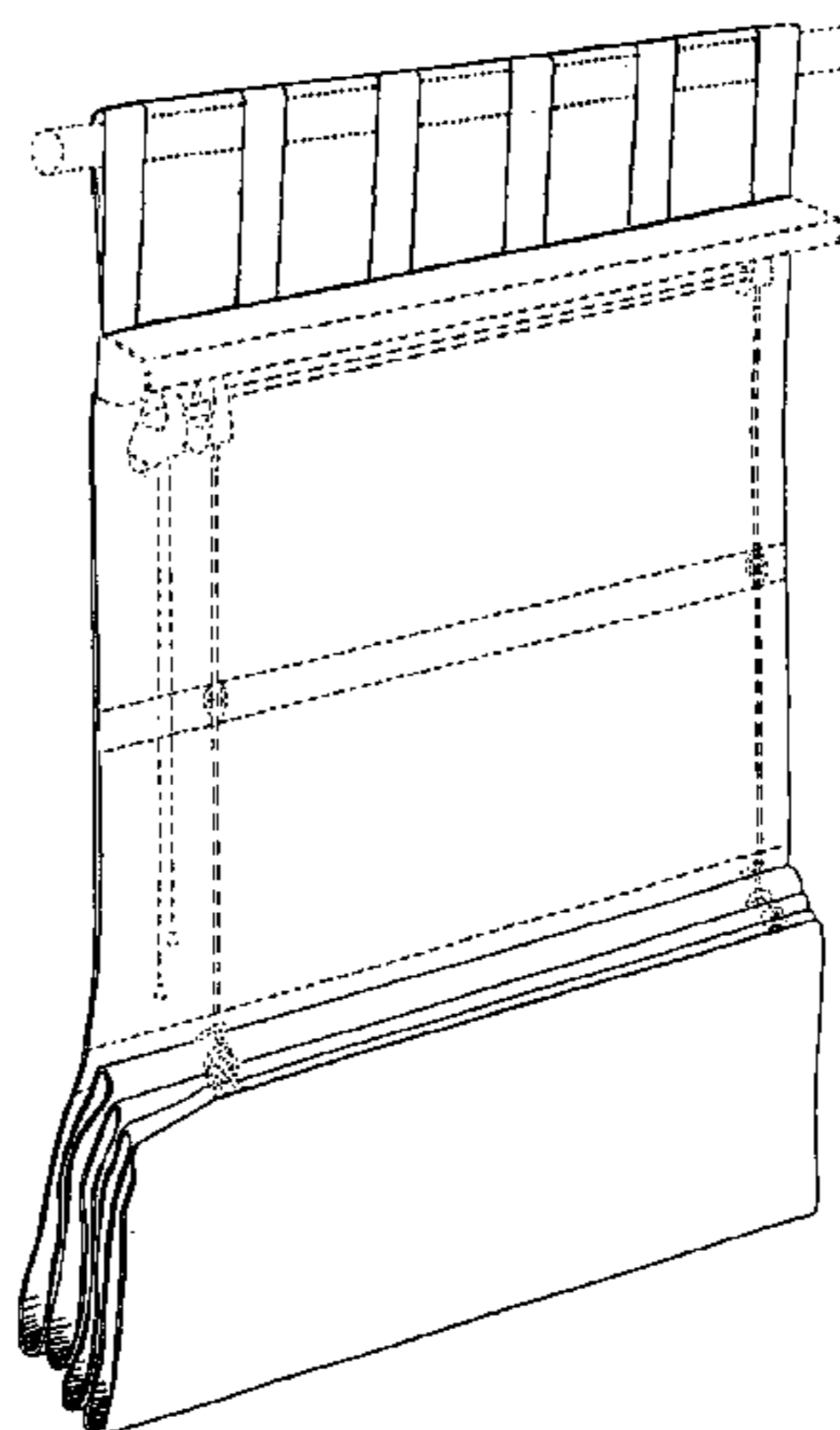
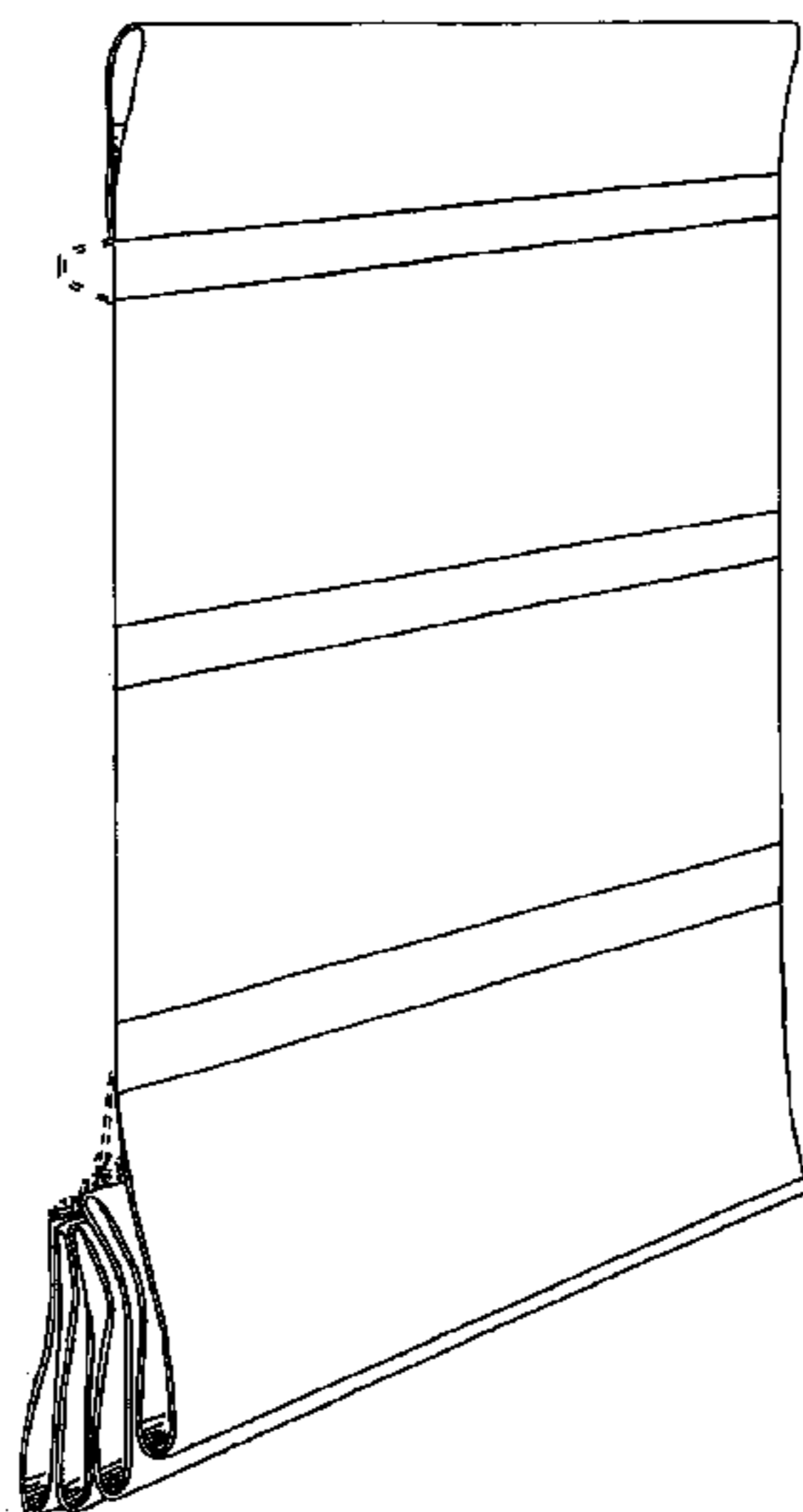
FIG. 8 is a bottom view thereof, wherein the raisable panel is fully drawn;

FIG. 9 is a front side view thereof, wherein the raisable panel is partially drawn; and,

FIG. 10 is a side elevational view thereof, wherein the raisable panel is partially drawn.

The broken line showing is for illustrative purposes only and forms no part of the claimed design.

**1 Claim, 10 Drawing Sheets**



U.S. PATENT DOCUMENTS

D295,354 S 4/1988 De Block et al. .... D6/577  
 4,739,815 A 4/1988 Altman ..... 160/84  
 4,877,075 A 10/1989 Markowitz ..... 160/84  
 4,907,635 A \* 3/1990 Bungler et al. .... 160/84.04  
 4,909,297 A 3/1990 Koller et al. .... 160/84.1  
 4,921,032 A 5/1990 May ..... 160/84.1  
 4,928,743 A 5/1990 Wojtysiak ..... 160/84.1  
 4,934,435 A 6/1990 Regev ..... 348/84.1  
 4,976,301 A 12/1990 Easley et al. .... 160/84.1  
 4,986,329 A 1/1991 Kuchunos ..... 160/84.1  
 5,010,944 A 4/1991 Bussert ..... 160/354  
 D320,127 S 9/1991 Schopp ..... D6/575  
 5,313,998 A \* 5/1994 Colson et al. .... 160/84.02  
 D348,371 S 7/1994 Judkins ..... D6/577  
 D371,711 S 7/1996 Clark ..... D6/575  
 D371,928 S 7/1996 Evjy ..... D6/575  
 5,566,734 A 10/1996 Levy et al. .... 160/84.01  
 5,566,735 A 10/1996 Jelic ..... 160/84.04  
 5,649,583 A 7/1997 Hsu ..... 160/84.05  
 D393,560 S 4/1998 Adams ..... D6/575  
 5,787,951 A \* 8/1998 Tonomura et al. .... 160/84.01  
 5,894,876 A 4/1999 O'Brien ..... 160/84.01  
 D415,382 S 10/1999 Walker ..... D6/575  
 D415,644 S 10/1999 Goodwin ..... D6/575  
 D415,645 S 10/1999 Goodwin ..... D6/575  
 6,041,454 A 3/2000 Summerford ..... 4/558  
 D426,738 S 6/2000 Goodwin ..... D6/576  
 6,142,210 A \* 11/2000 Isoda ..... 160/124

D440,093 S 4/2001 Siegel et al. .... D6/575  
 D440,094 S 4/2001 Shen ..... D6/575  
 D445,621 S 7/2001 Judkins ..... D6/575  
 D446,070 S 8/2001 Judkins ..... D6/575  
 6,431,245 B1 8/2002 Shen ..... 160/84.03  
 6,497,264 B1 12/2002 Paskevicius ..... 160/84.03  
 D468,950 S 1/2003 Judkins ..... D6/575  
 6,520,238 B2 2/2003 Allsopp ..... 160/84.04  
 D473,743 S 4/2003 Judkins ..... D6/575  
 6,543,516 B2 4/2003 Hwang ..... 160/84.01  
 6,662,845 B1 \* 12/2003 Palmer ..... 160/84.01  
 2003/0051831 A1 3/2003 Bouldin ..... 160/348

OTHER PUBLICATIONS

JC Penney catalog Fall/Winter 1997; tab-top valance p. 1216; design digest.\*  
 Umbra® Product Catalogue (2003), according to an Umbra representative, the catalogue published in the second or third week of Jan. 2003.  
 Umbra® Pull-up Cotton Shade and Umbra® Tuck Adjustable Blind (applicant first saw these products in U.S. stores in Apr. 2003.).  
 Window catalog 1996 p. 26, Flat Roman Shade; design digest.\*  
 JC Penney catalog Fall/Winter 1997; tab-top valance p. 126; design digest.\*

\* cited by examiner

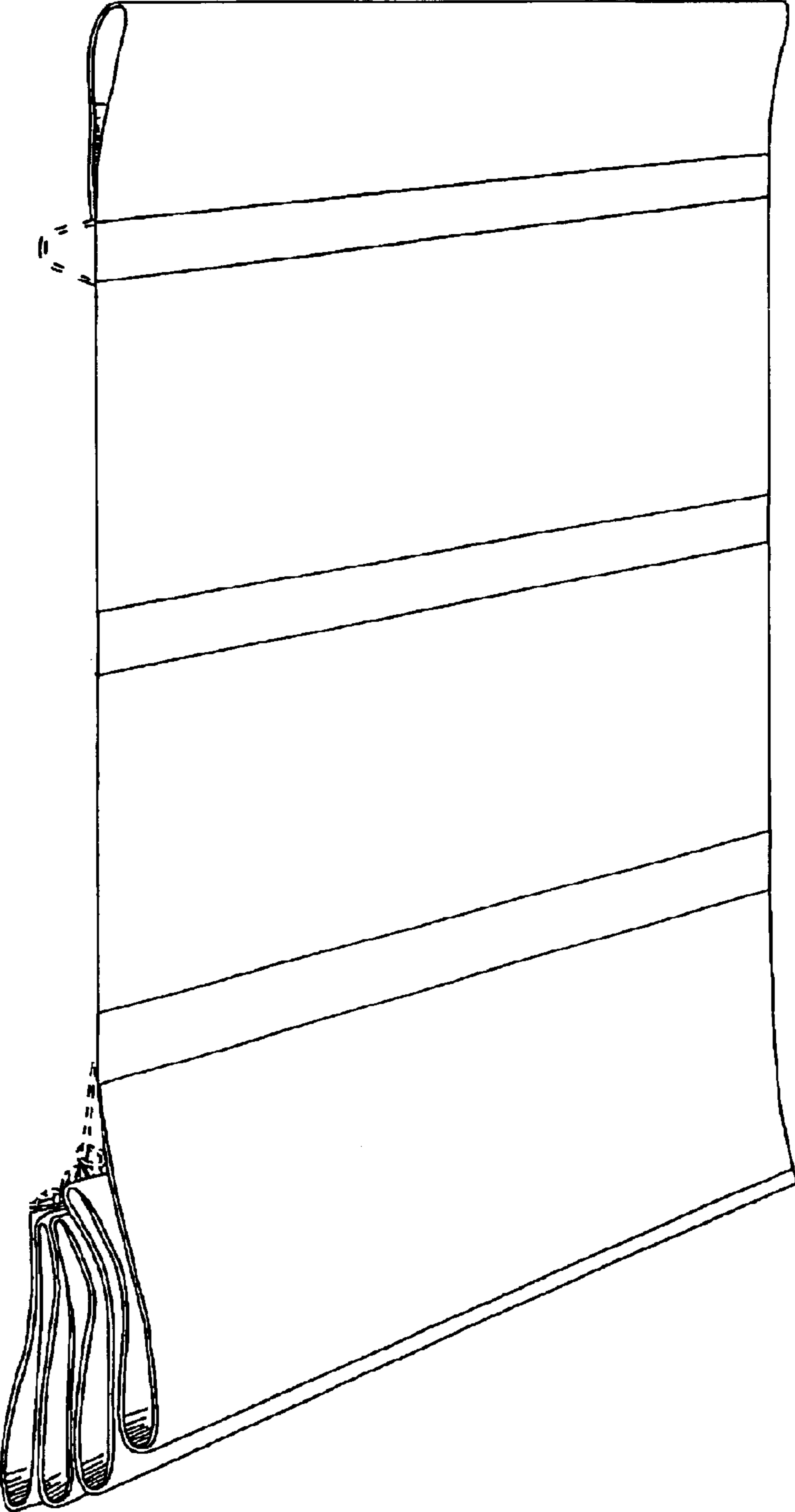


FIGURE 1

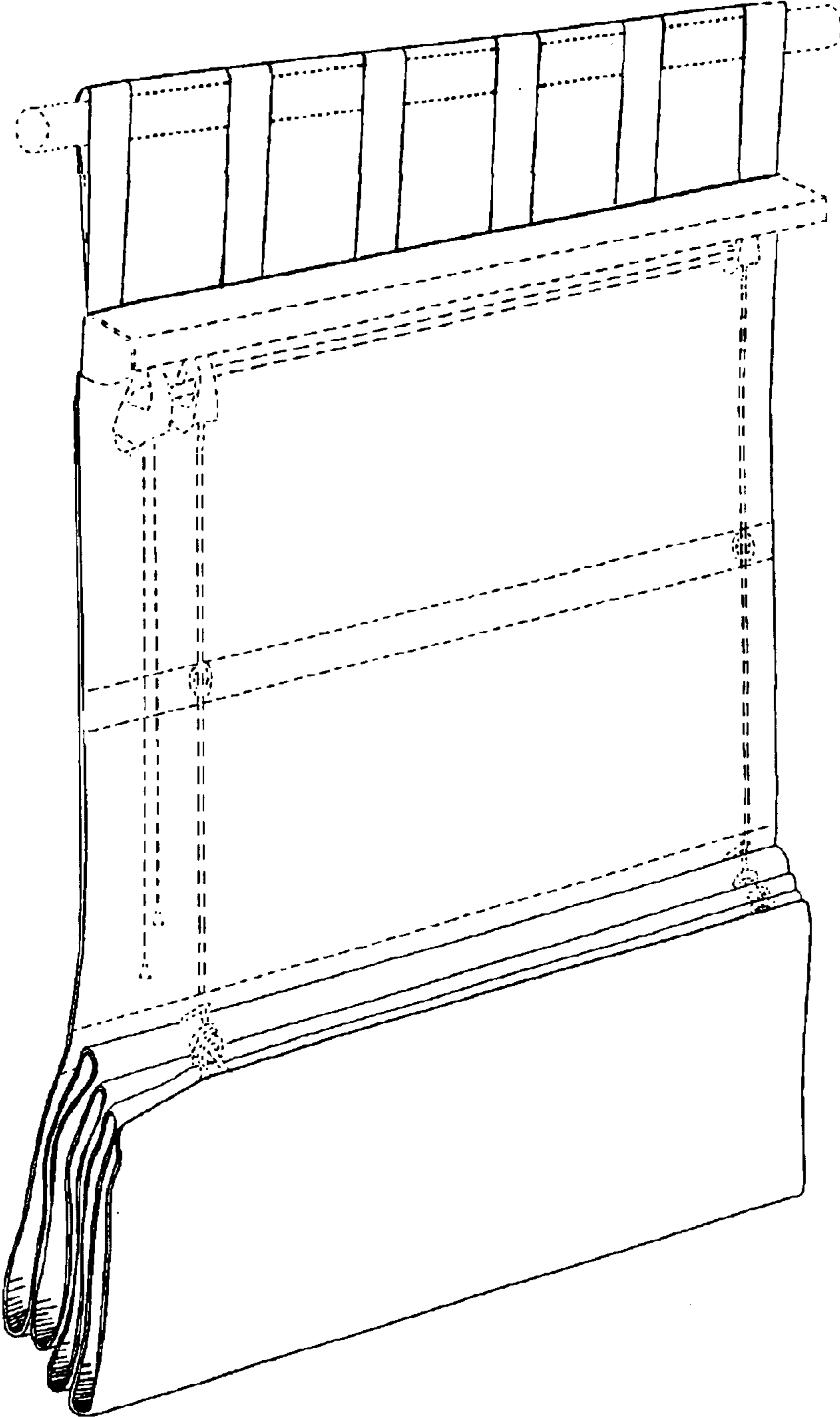


FIGURE 2

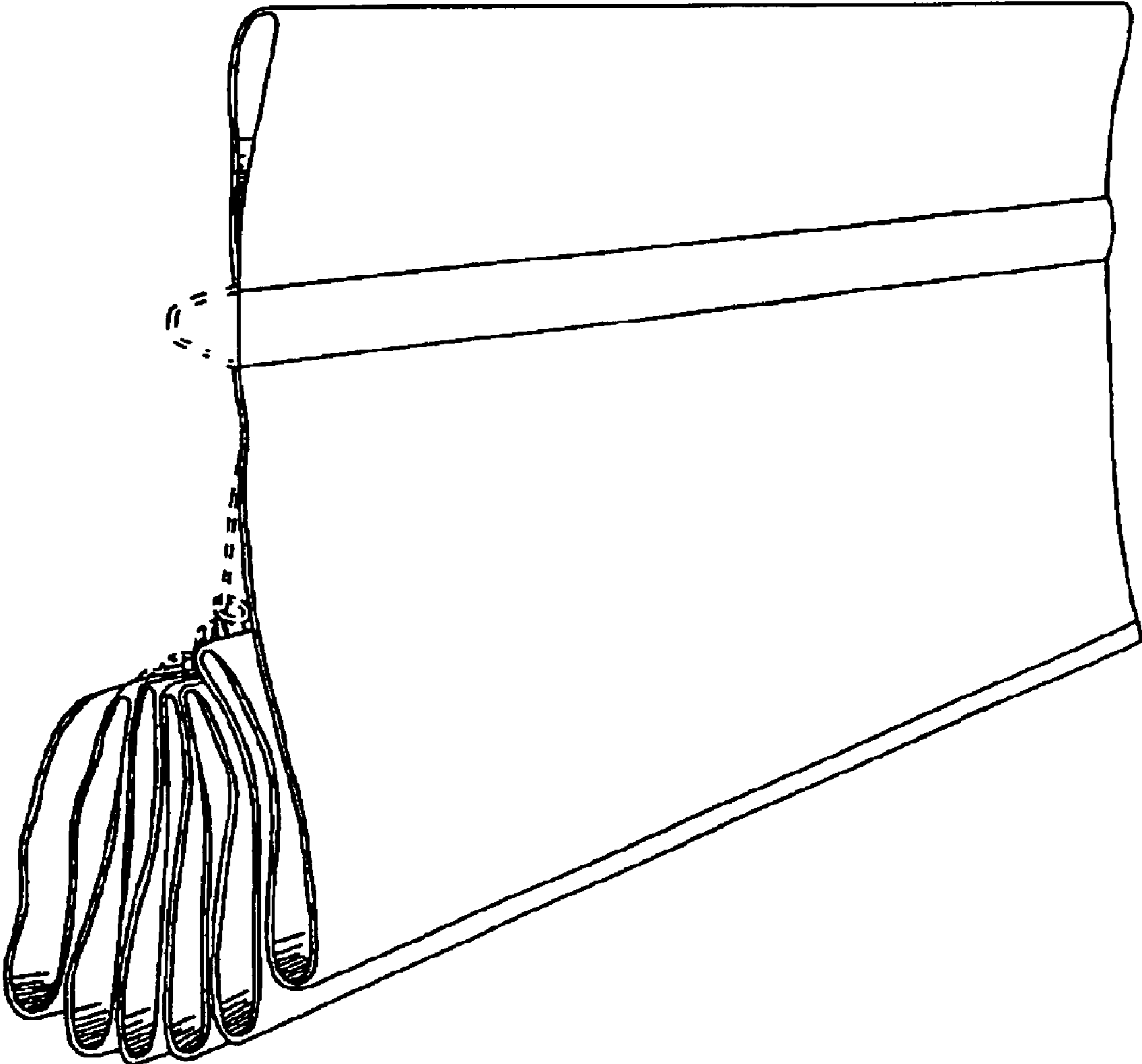


FIGURE 3

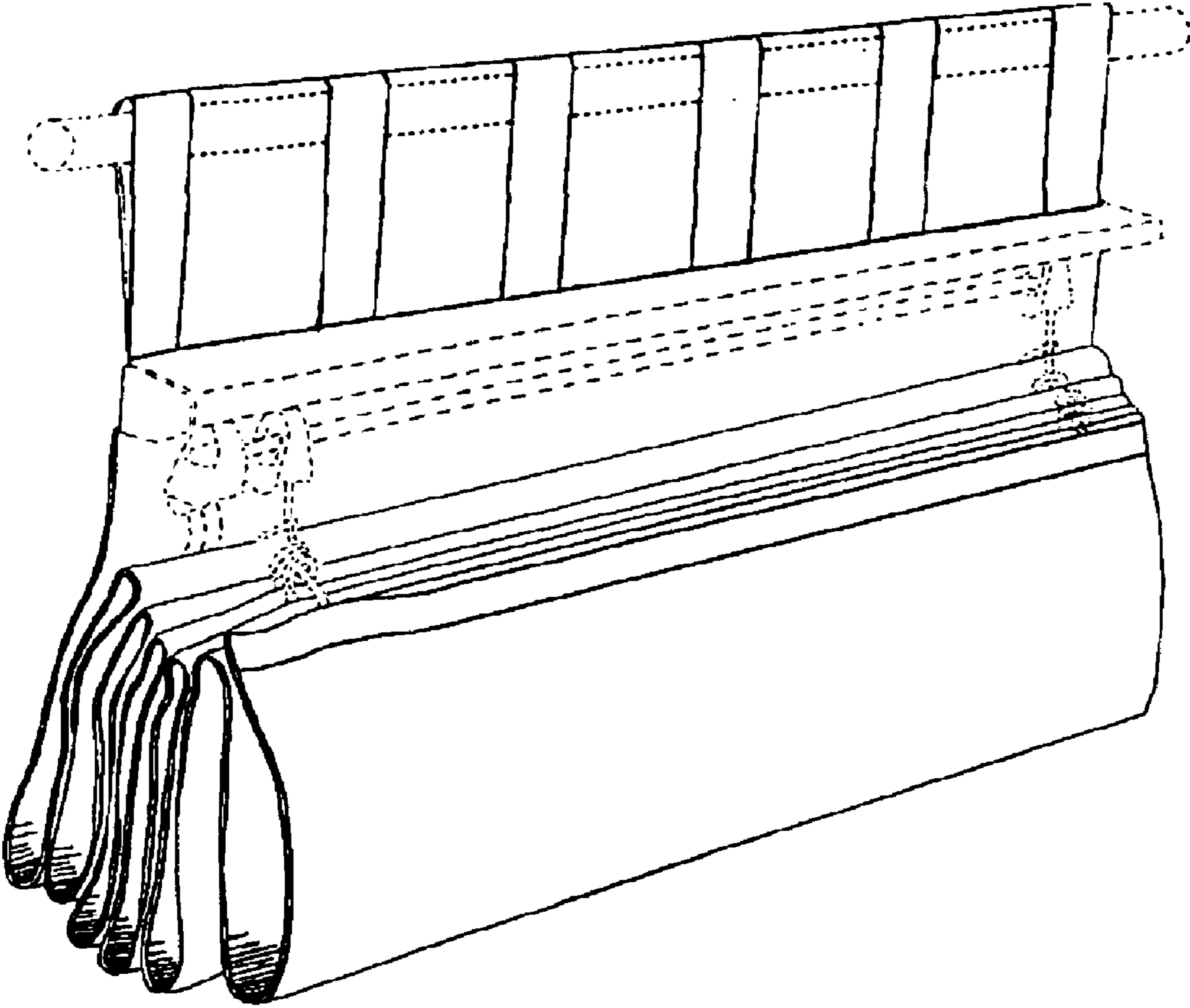


FIGURE 4

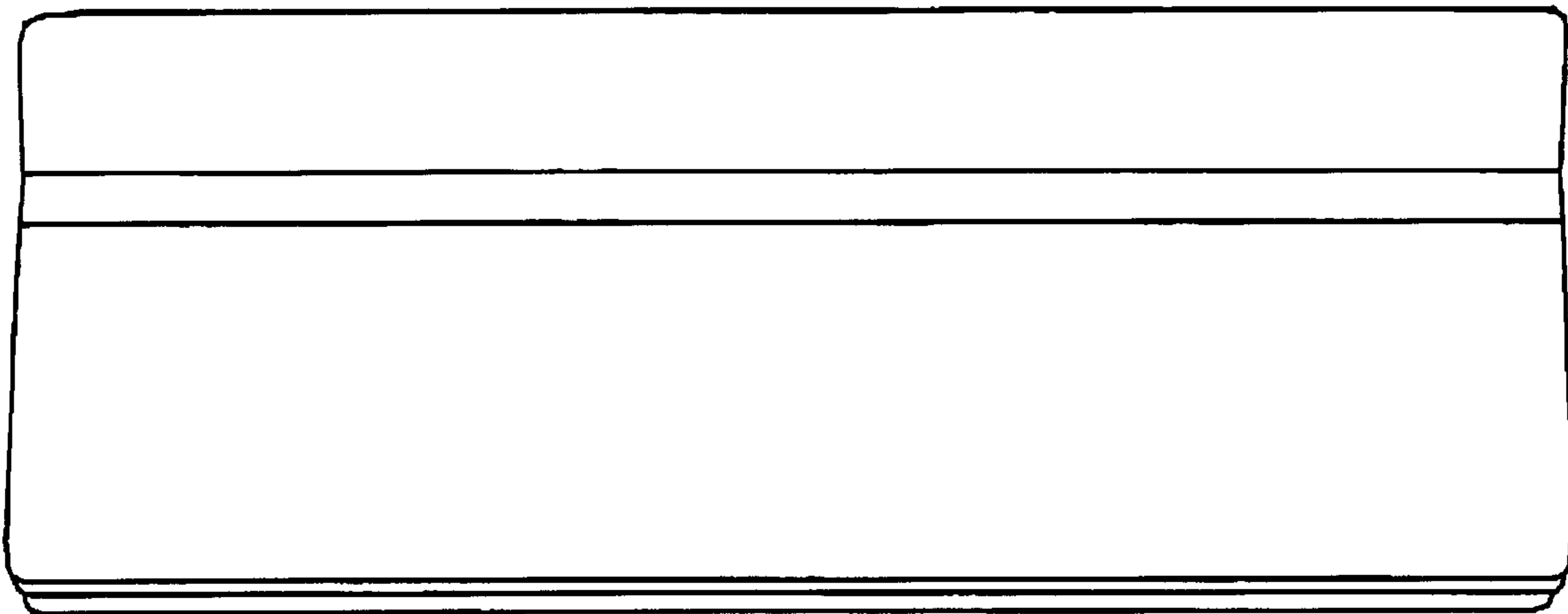


FIGURE 5

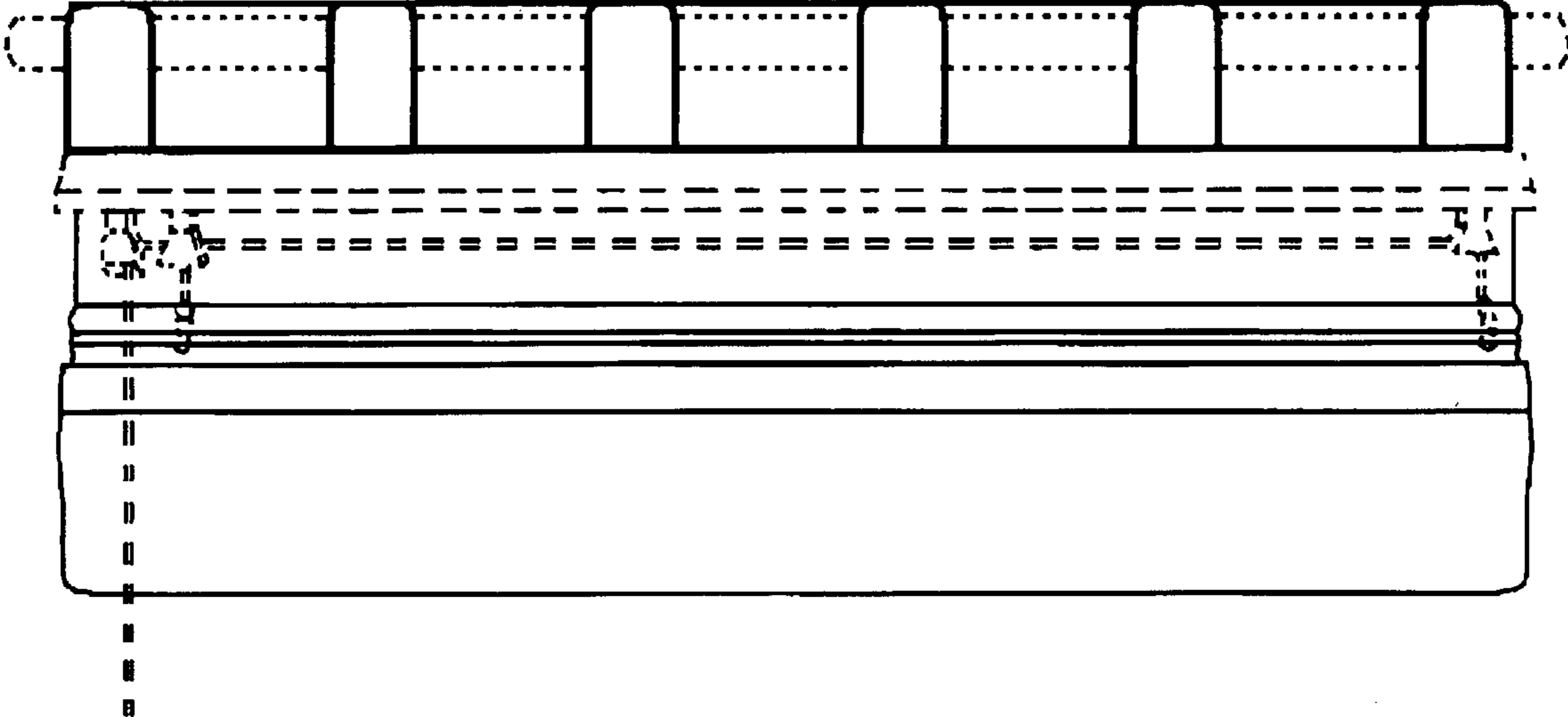


FIGURE 6



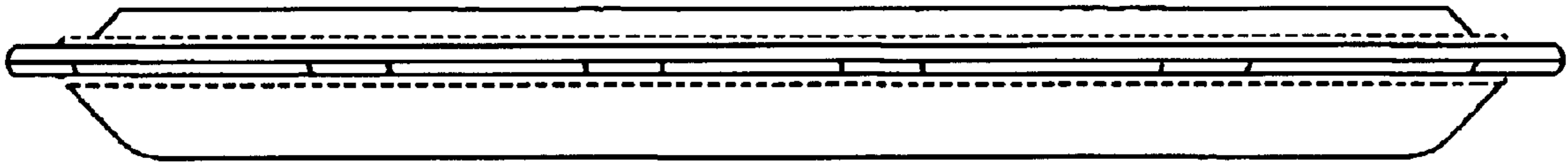


FIGURE 7

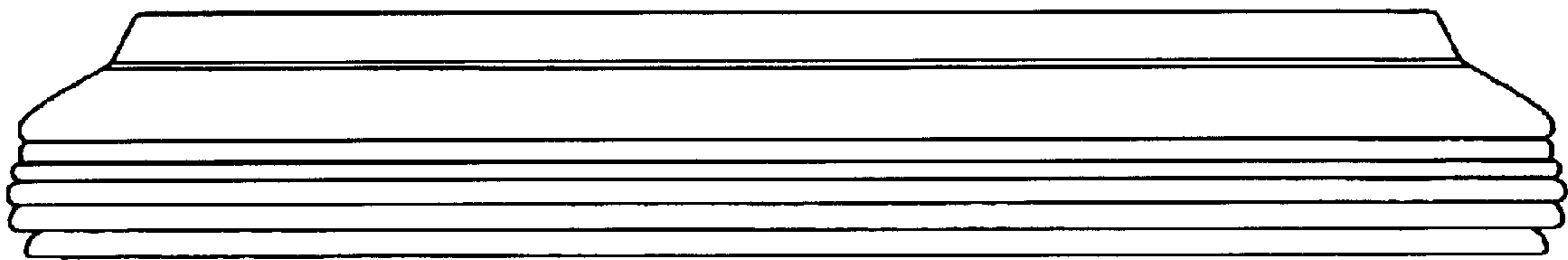


FIGURE 8

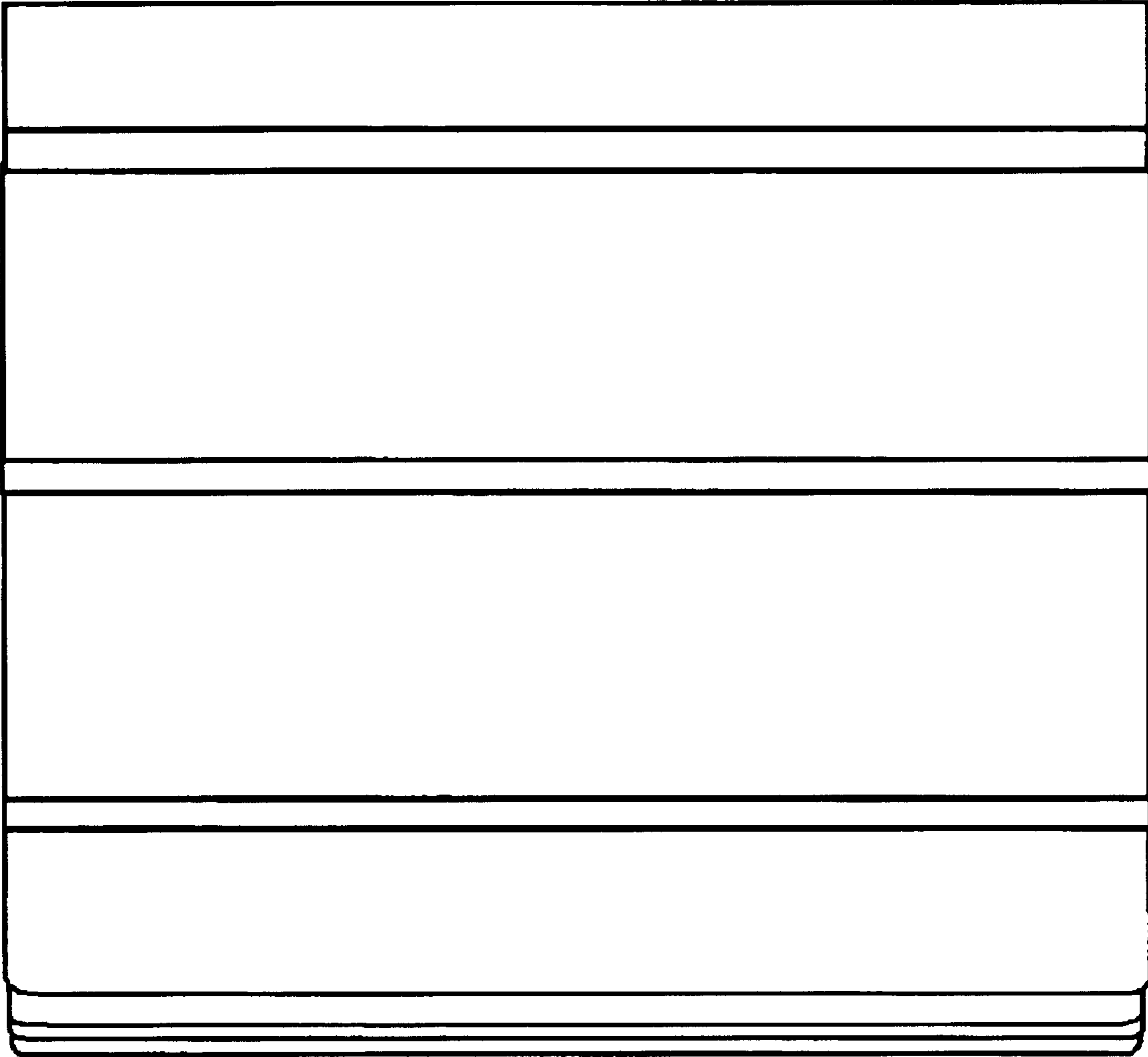


FIGURE 9

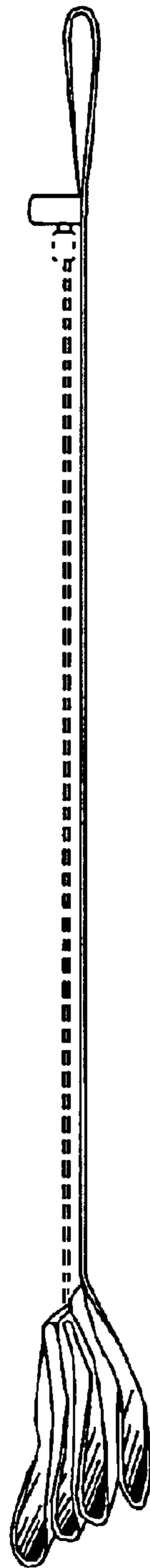


FIGURE 10