

US00D502622S

(12) **United States Design Patent**  
**Berger**

(10) **Patent No.:** **US D502,622 S**  
(45) **Date of Patent:** **\*\* Mar. 8, 2005**

(54) **DISPOSABLE BAG DISPENSER**

D495,544 S \* 9/2004 Tan ..... D6/515

(75) Inventor: **Russell Berger**, Needham, MA (US)

\* cited by examiner

(73) Assignee: **Constance F. Berger**, Naples, FL (US)

*Primary Examiner*—Brian N Vinson  
(74) *Attorney, Agent, or Firm*—Barlow, Josephs & Holmes, Ltd.

(\*\*) Term: **14 Years**

(21) Appl. No.: **29/201,896**

(57) **CLAIM**

(22) Filed: **Mar. 23, 2004**

The ornamental design for a disposable bag dispenser, as shown.

(51) **LOC (7) Cl.** ..... **20-02**

(52) **U.S. Cl.** ..... **D6/515**

(58) **Field of Search** ..... D6/515-523; 206/389, 206/391; 211/13.1; 221/173, 282; 242/570, 590, 588.1, 598, 588.6; 312/34.1, 34.8

**DESCRIPTION**

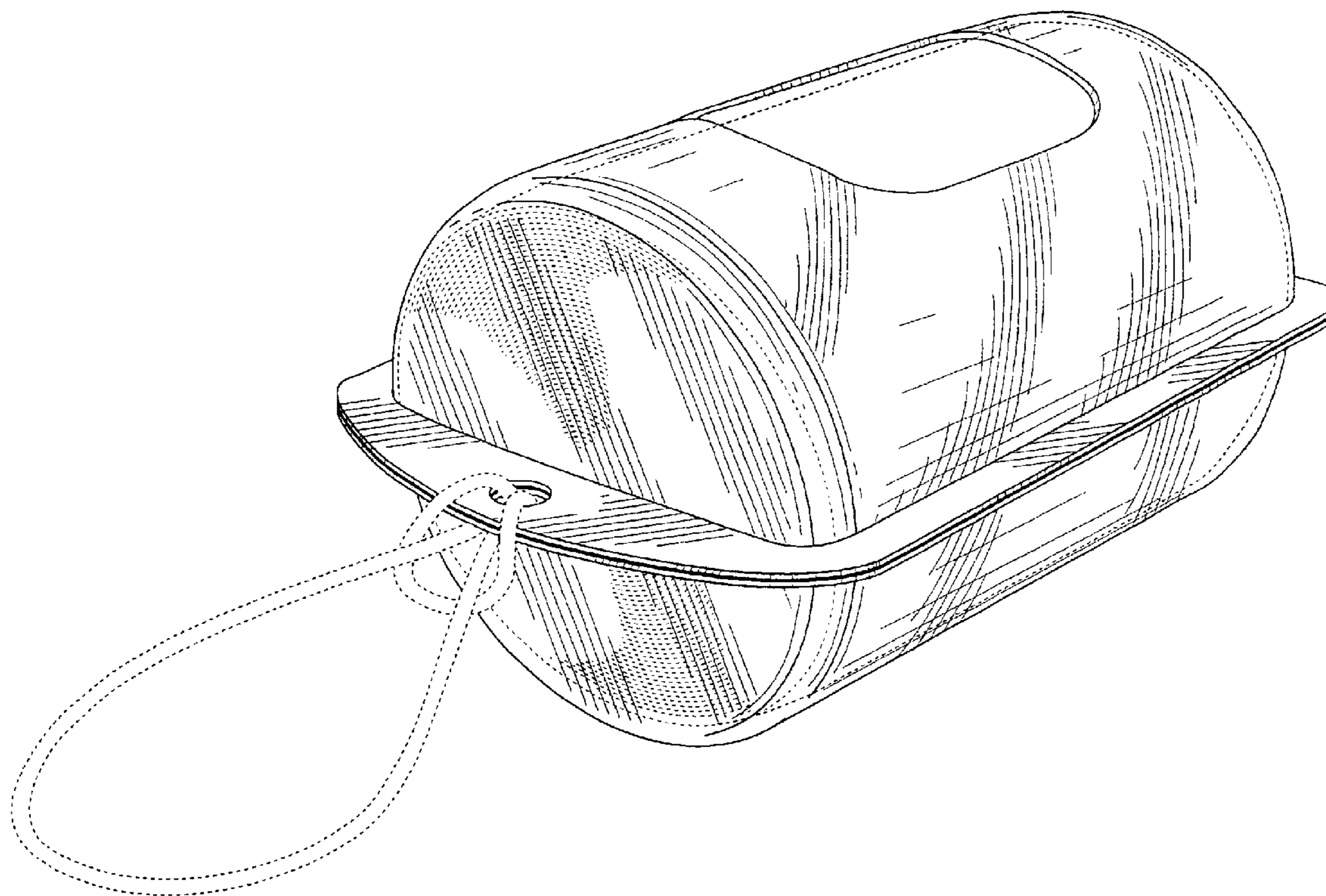
FIG. 1 is a perspective view of a disposable bag dispenser; the broken lines being of an attachment strap and disposable bags which form no part of the invention; FIG. 2 is a top view thereof; FIG. 3 is a bottom view thereof; FIG. 4 is a right side elevational view thereof; FIG. 5 is a left side elevational view thereof; FIG. 6 is a front elevational view thereof; and, FIG. 7 is a rear elevational view thereof.

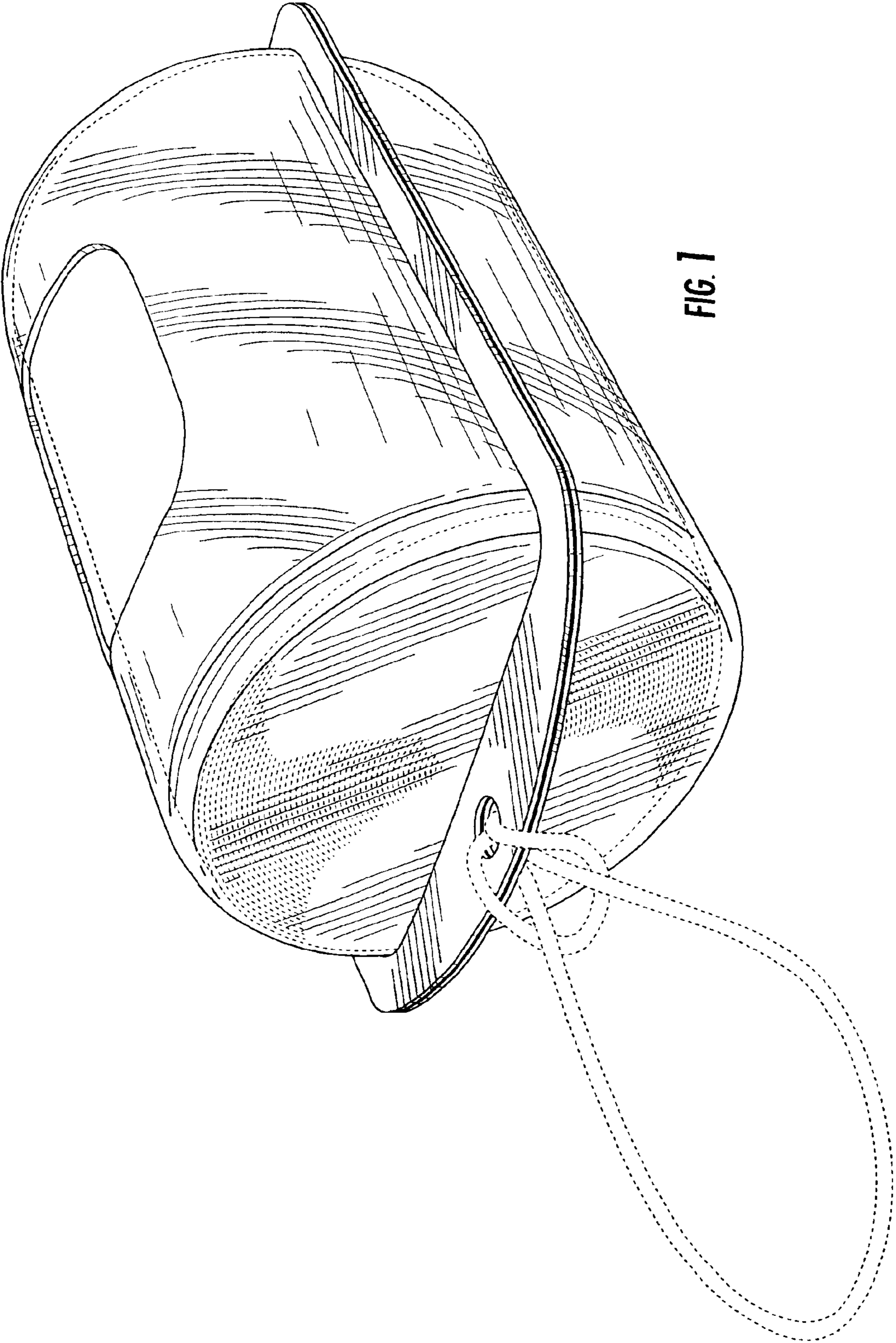
(56) **References Cited**

**U.S. PATENT DOCUMENTS**

D422,818 S	*	4/2000	Fletcher	.....	D6/518
D462,860 S	*	9/2002	Orlando	.....	D6/518
D467,106 S	*	12/2002	Bohay	.....	D6/523
D480,901 S	*	10/2003	Millington	.....	D6/518
D482,915 S	*	12/2003	Yang et al.	.....	D6/515

**1 Claim, 7 Drawing Sheets**





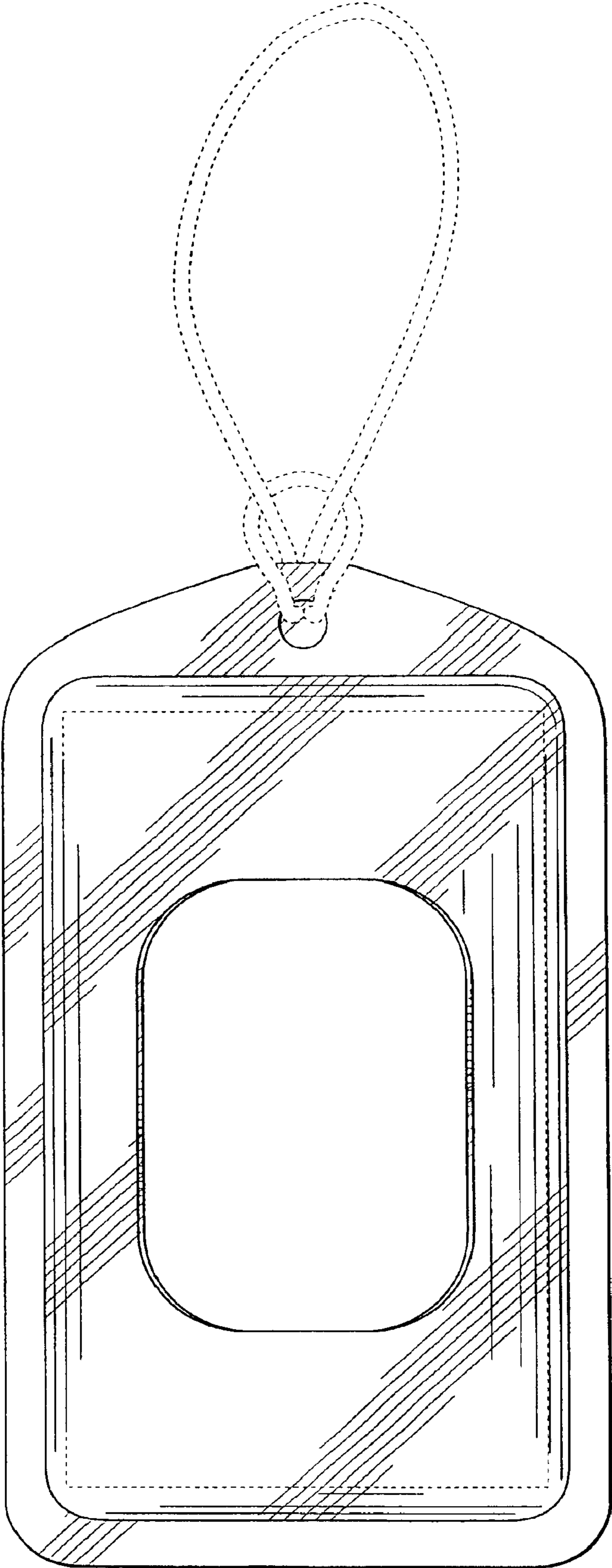
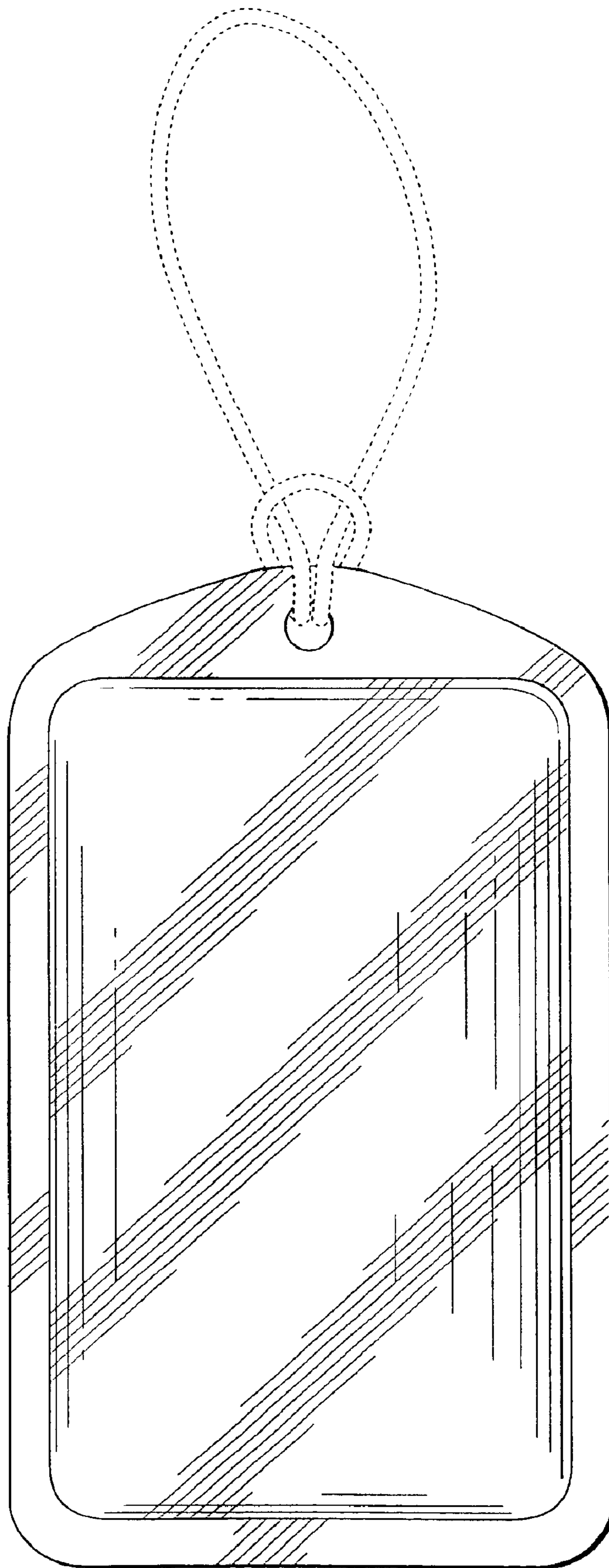


FIG. 2



**FIG. 3**

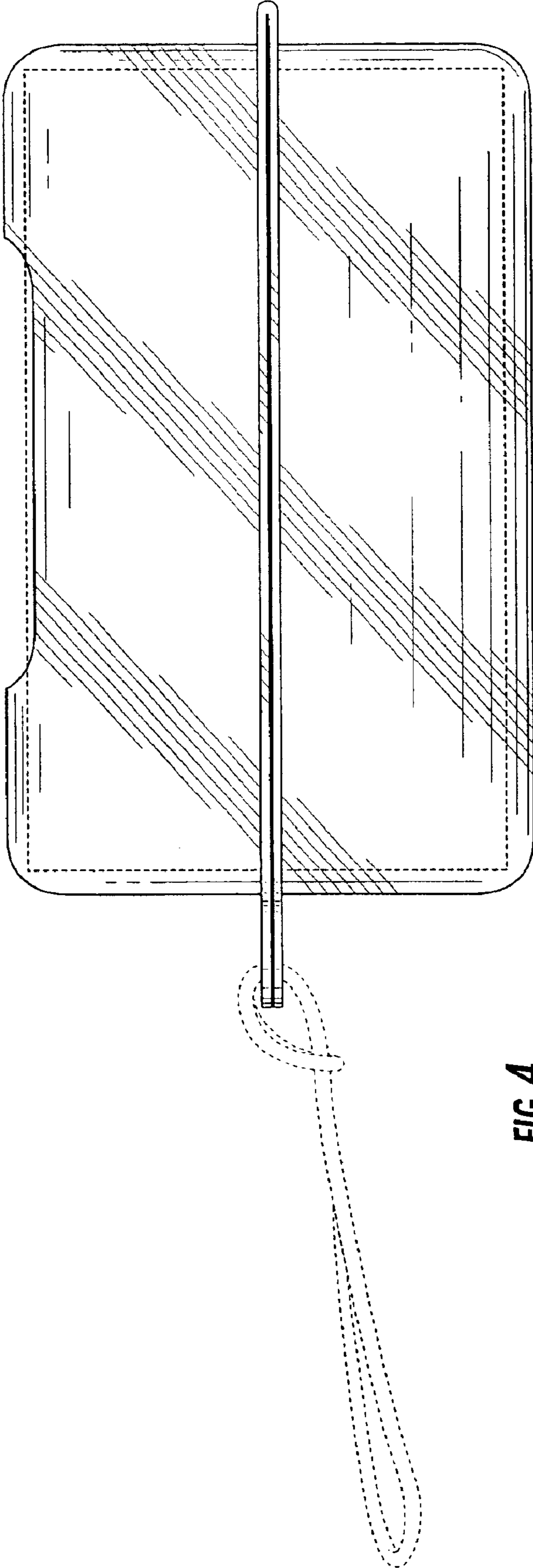


FIG. 4

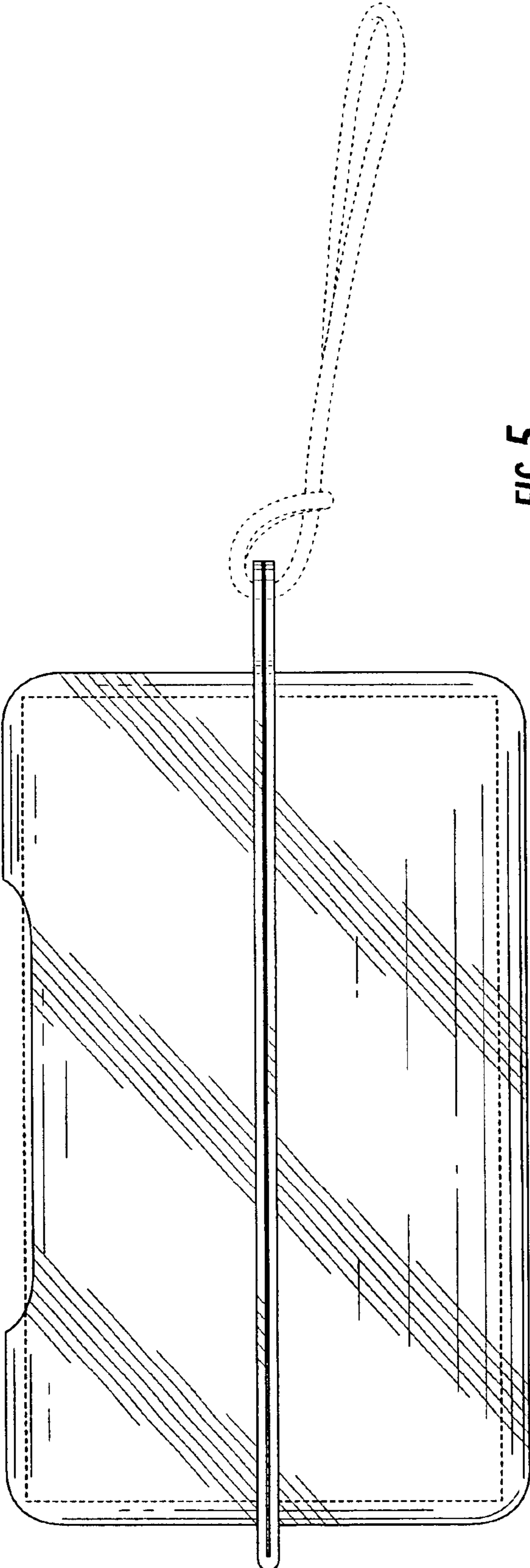


FIG. 5

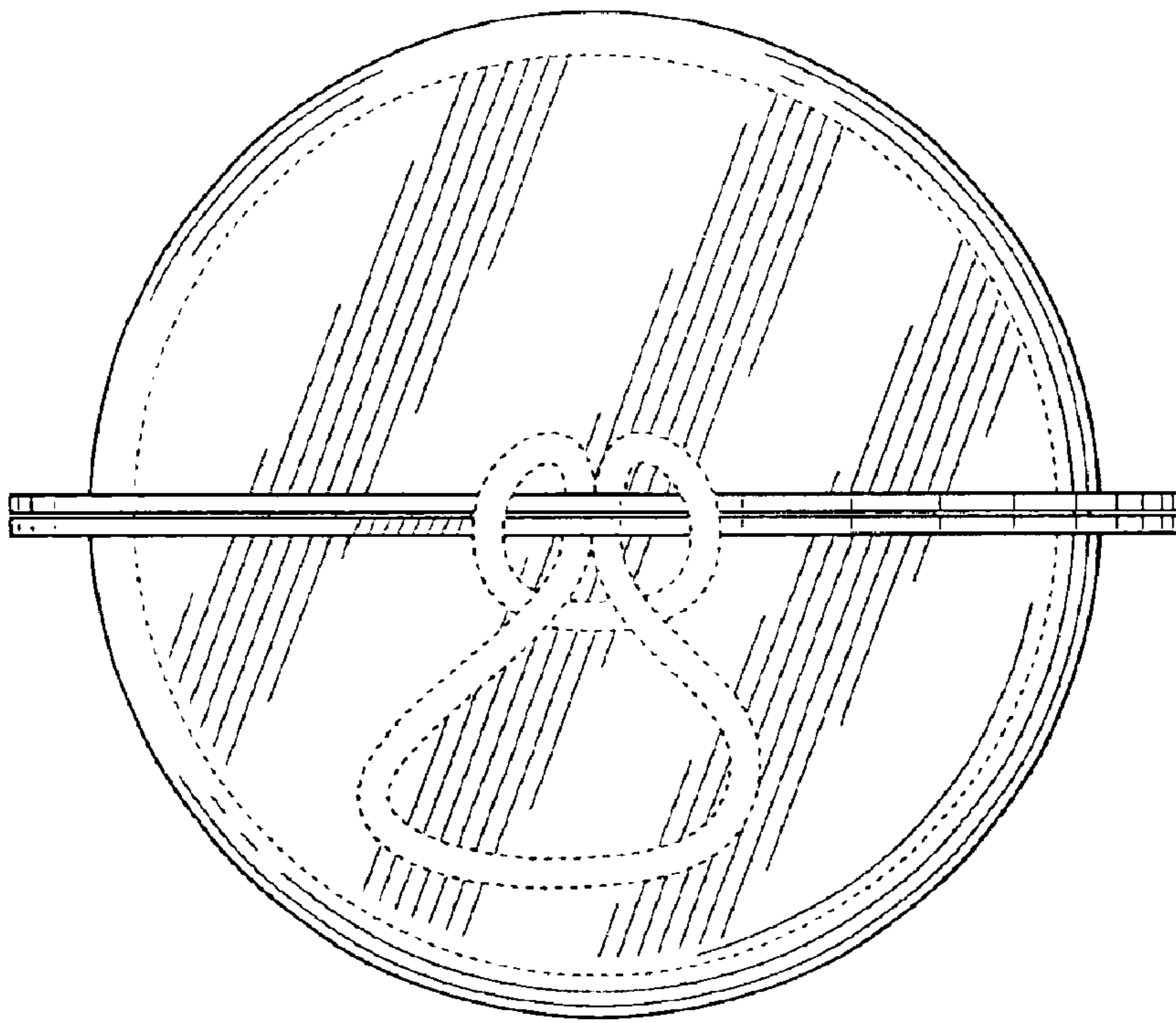
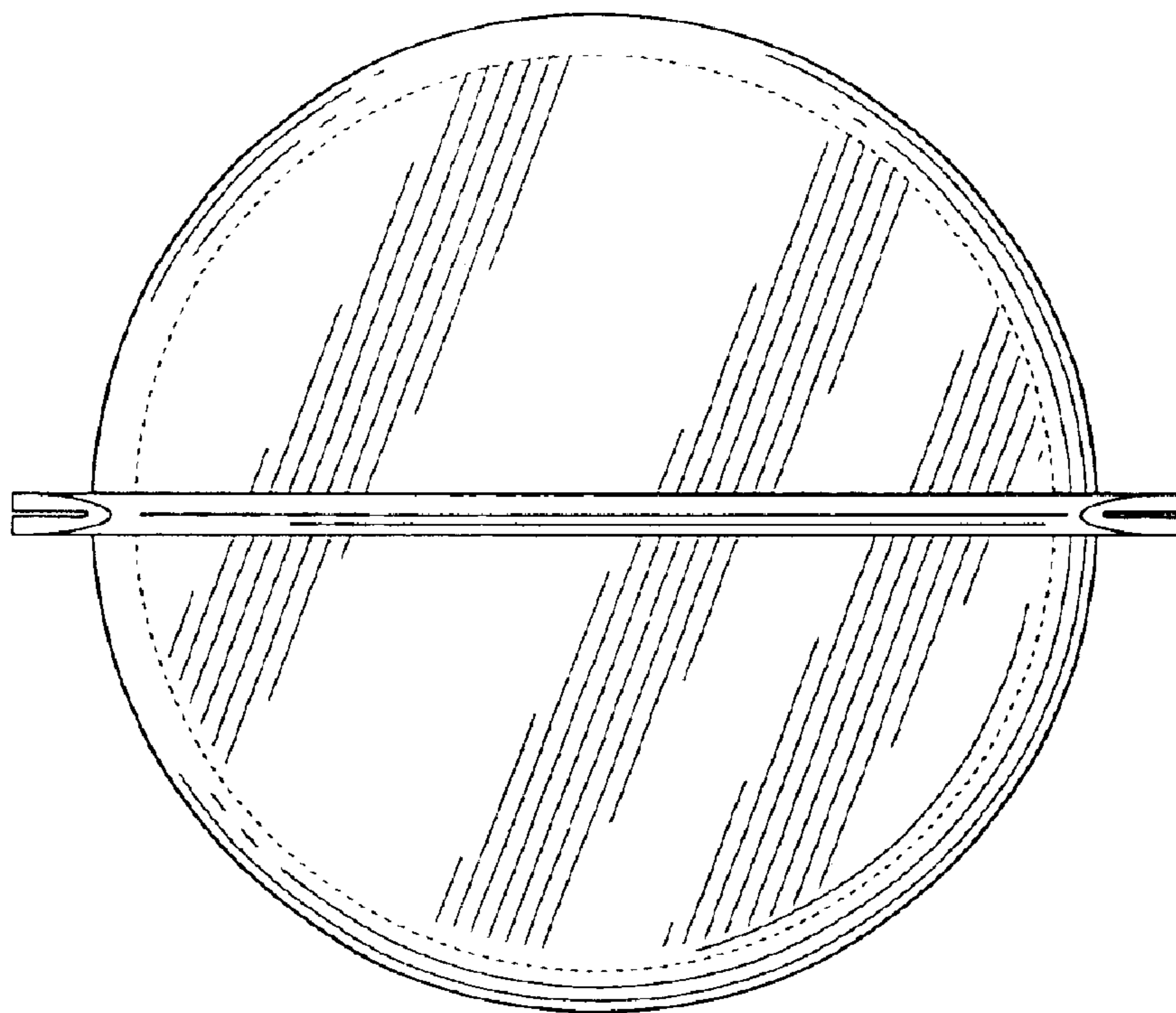


FIG. 6



**FIG. 7**