

US00D502617S

(12) **United States Design Patent**
Chang

(10) **Patent No.:** **US D502,617 S**

(45) **Date of Patent:** **** Mar. 8, 2005**

(54) **TABLE**

D448,216 S * 9/2001 Kolberg D6/484
D456,643 S * 5/2002 Harner D6/480

(76) **Inventor:** **Chien-Kuo Chang**, P.O. Box 36-80,
Taichung (TW)

* cited by examiner

(**) **Term:** **14 Years**

Primary Examiner—Janice E. Seeger
(74) *Attorney, Agent, or Firm*—Charles E. Baxley

(21) **Appl. No.:** **29/197,863**

(57) **CLAIM**

(22) **Filed:** **Jan. 20, 2004**

The ornamental design for table, as shown and described.

(51) **LOC (7) Cl.** **06-06**

DESCRIPTION

(52) **U.S. Cl.** **D6/480; D6/477**

(58) **Field of Search** D6/480–489, 495–499,
D6/429–431, 511, 477; 108/150, 153.1,
156, 157.1, 161; 248/188, 188.1, 188.8

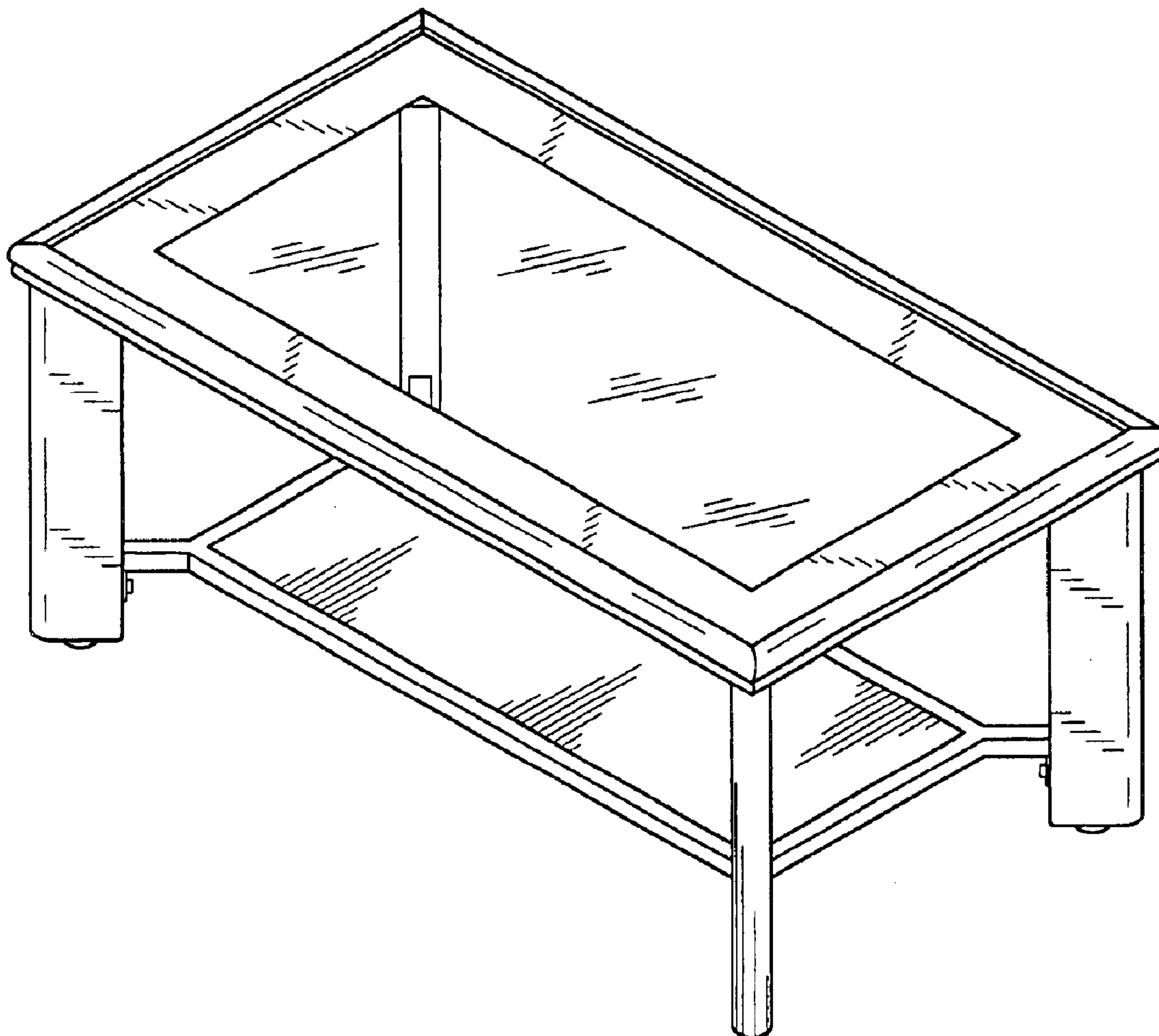
FIG. 1 is a perspective view of a table showing our new design thereof;
FIG. 2 is a front elevational view thereof;
FIG. 3 is a rear elevational view thereof;
FIG. 4 is a left side elevational view thereof;
FIG. 5 is a right side elevational view thereof;
FIG. 6 is a top plan view thereof; and,
FIG. 7 is a bottom plan view thereof.

(56) **References Cited**

U.S. PATENT DOCUMENTS

D196,440 S * 10/1963 Turner D6/477
D246,216 S * 11/1977 Heumann D6/484
D305,842 S * 2/1990 Herr D6/480

1 Claim, 4 Drawing Sheets



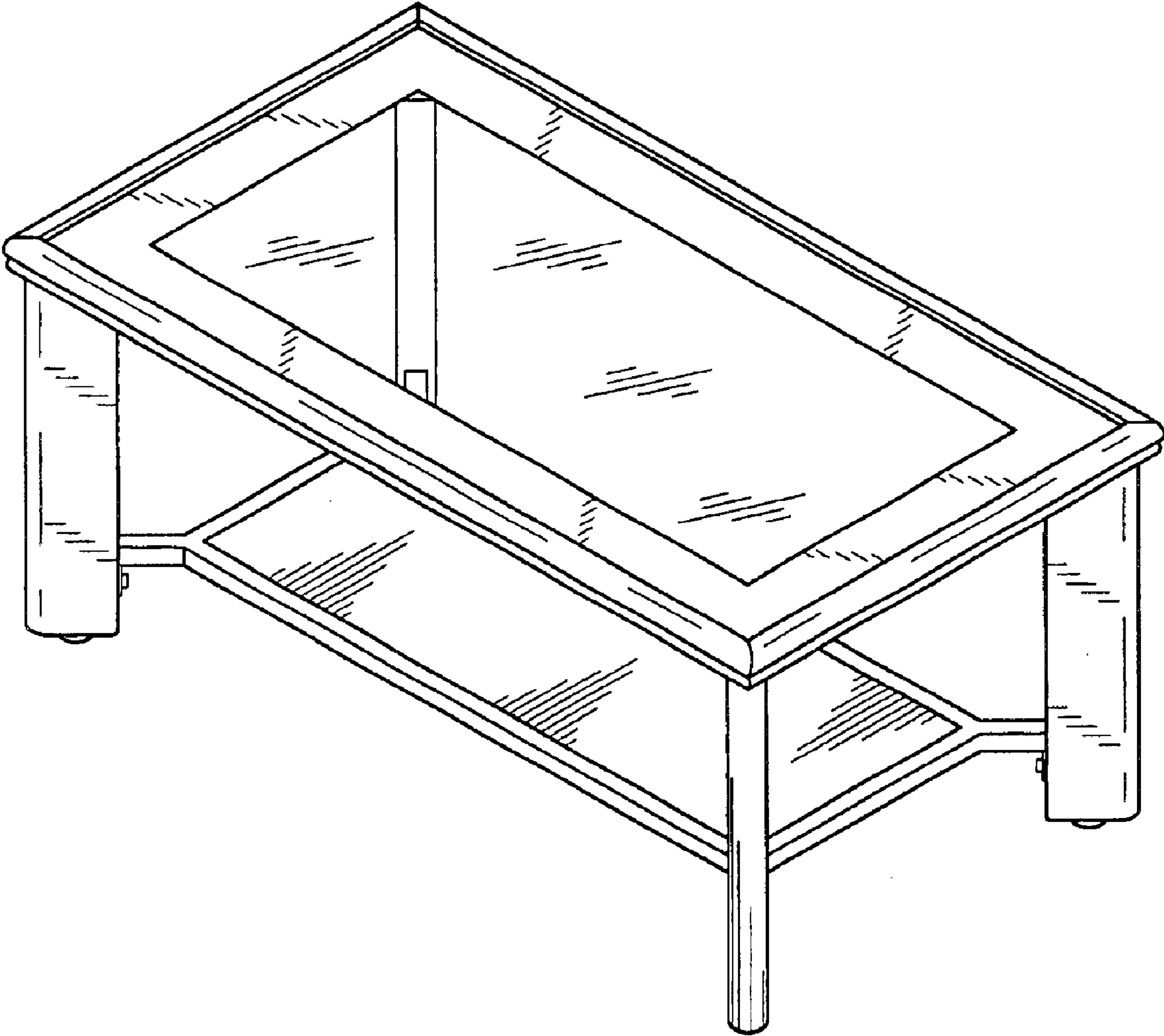


FIG. 1

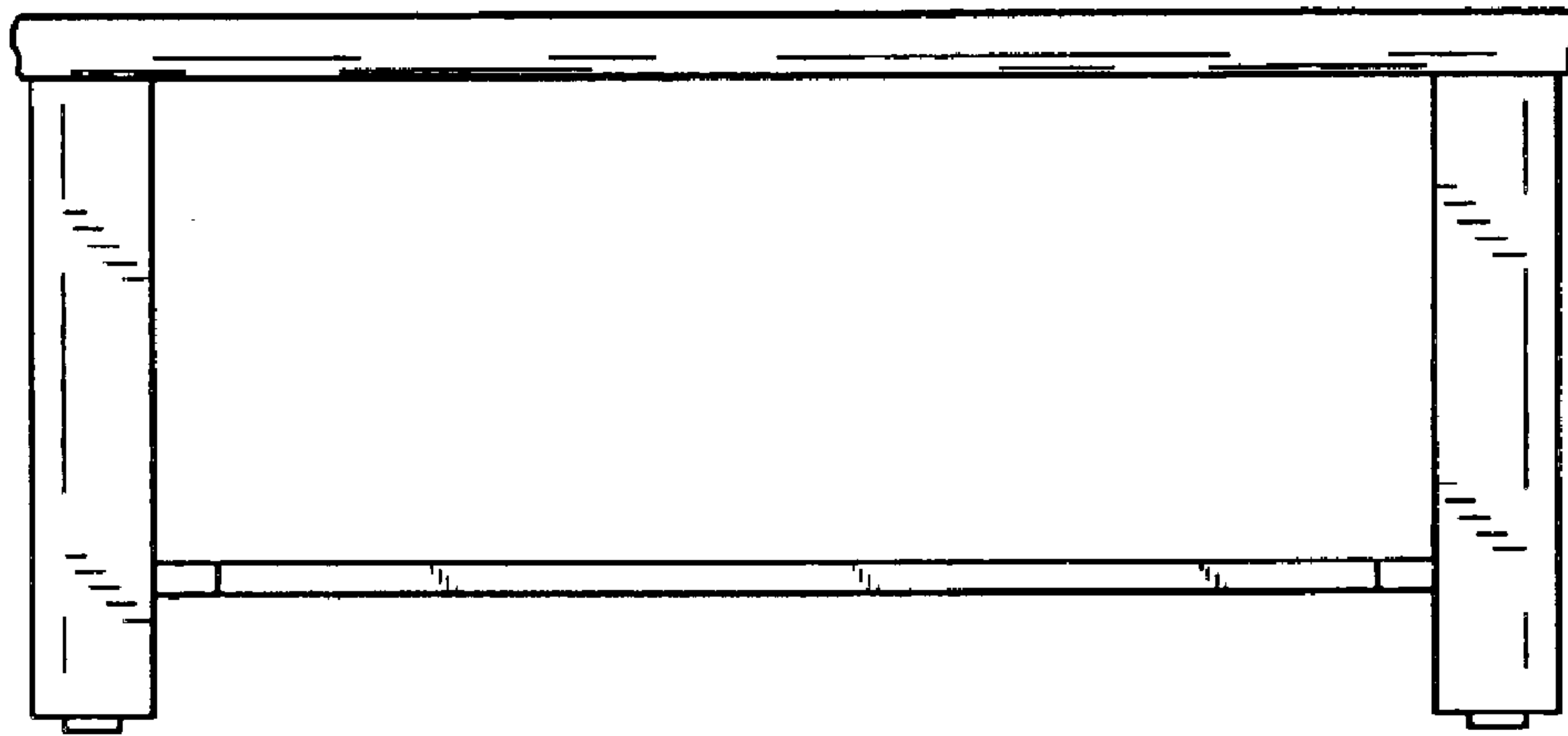


FIG. 2

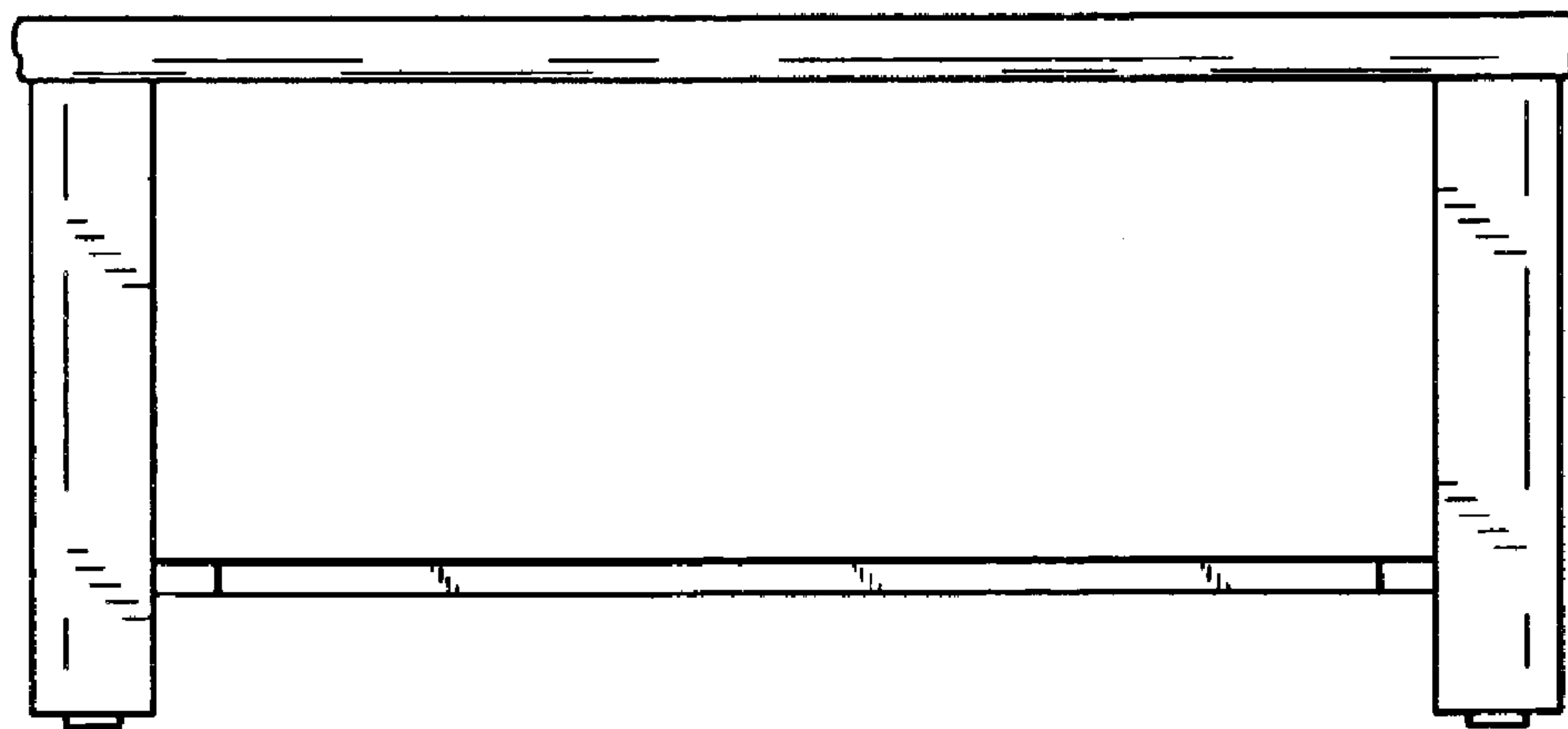


FIG. 3

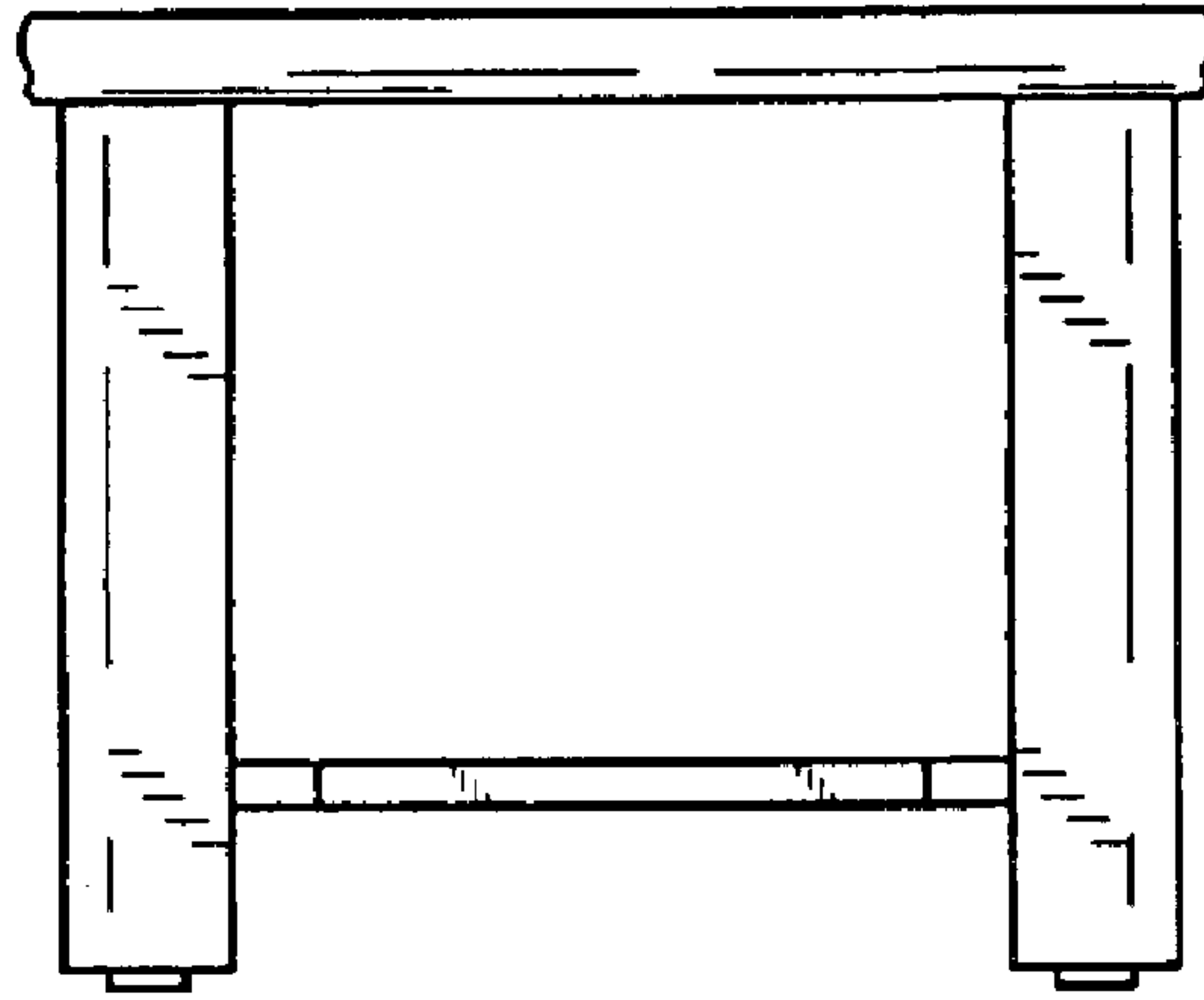


FIG. 4

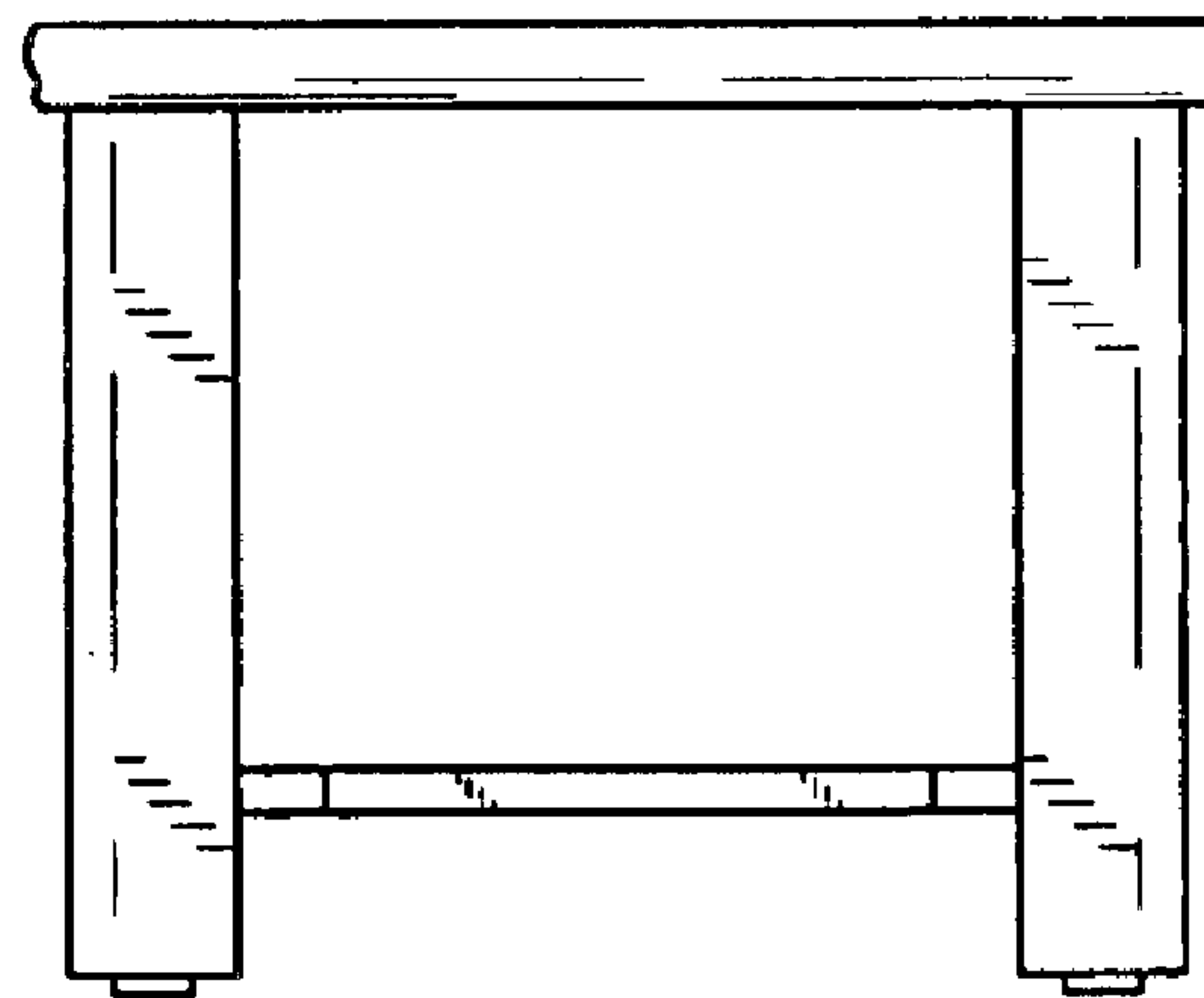


FIG. 5

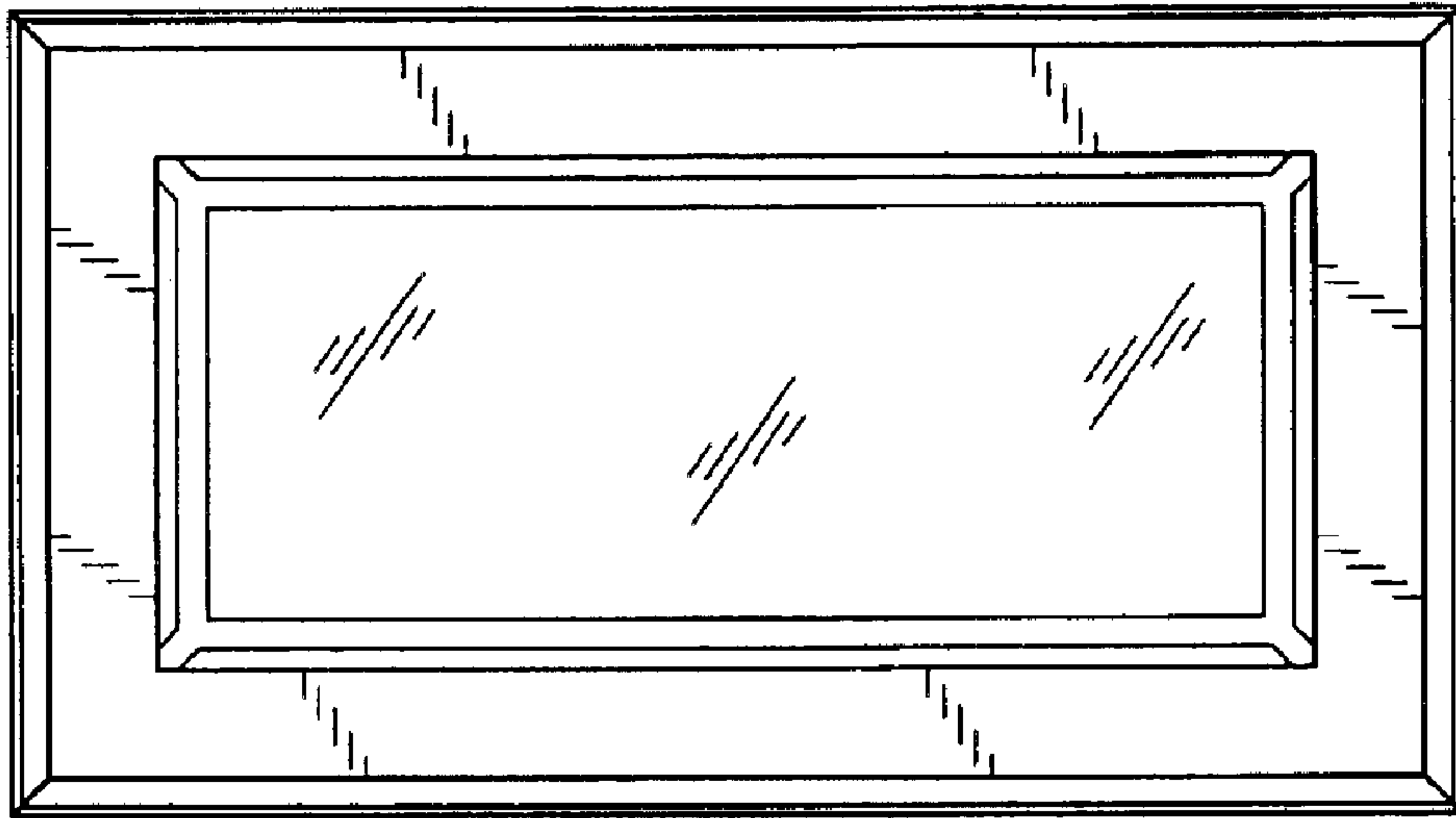


FIG. 6

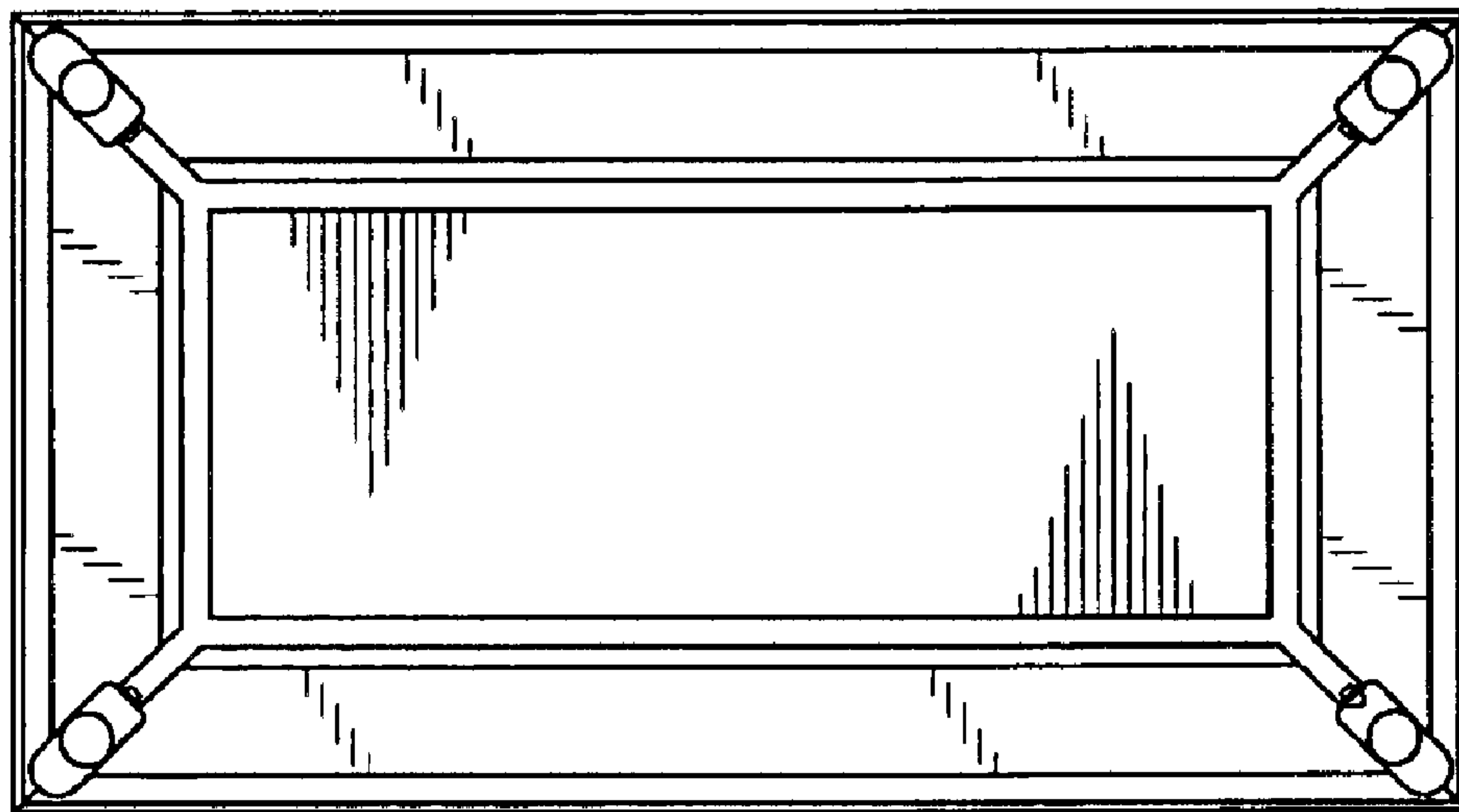


FIG. 7