

US00D502612S

(12) **United States Design Patent**  
**Tseng**

(10) **Patent No.:** **US D502,612 S**  
(45) **Date of Patent:** **\*\* Mar. 8, 2005**

(54) **CHAIR**

D491,738 S \* 6/2004 Vanderminden ..... D6/376

(75) Inventor: **Chuen-Jong Tseng**, Chiayi Hsien (TW)

**OTHER PUBLICATIONS**

(73) Assignee: **Taiwan Shin Yeh Enterprise Co., Ltd.**,  
Chiayi Hsien (TW)

Brown Jordan, p. 62, chair #1210-2000 at top, c1986.\*  
Meadowcraft, chair #5811 at left, c1999.\*

(\*\*) Term: **14 Years**

\* cited by examiner

(21) Appl. No.: **29/201,833**

*Primary Examiner*—Gary D. Watson

(22) Filed: **Mar. 22, 2004**

(74) *Attorney, Agent, or Firm*—Ladas & Parry LLP

(51) **LOC (7) Cl.** ..... **06-01**

(57) **CLAIM**

(52) **U.S. Cl.** ..... **D6/376; D6/370; D6/379**

The ornamental design for chair, as shown and described.

(58) **Field of Search** ..... D6/334, 335, 370,  
D6/376, 379, 380, 500-502; 297/445.1,  
446.1, 452.63

**DESCRIPTION**

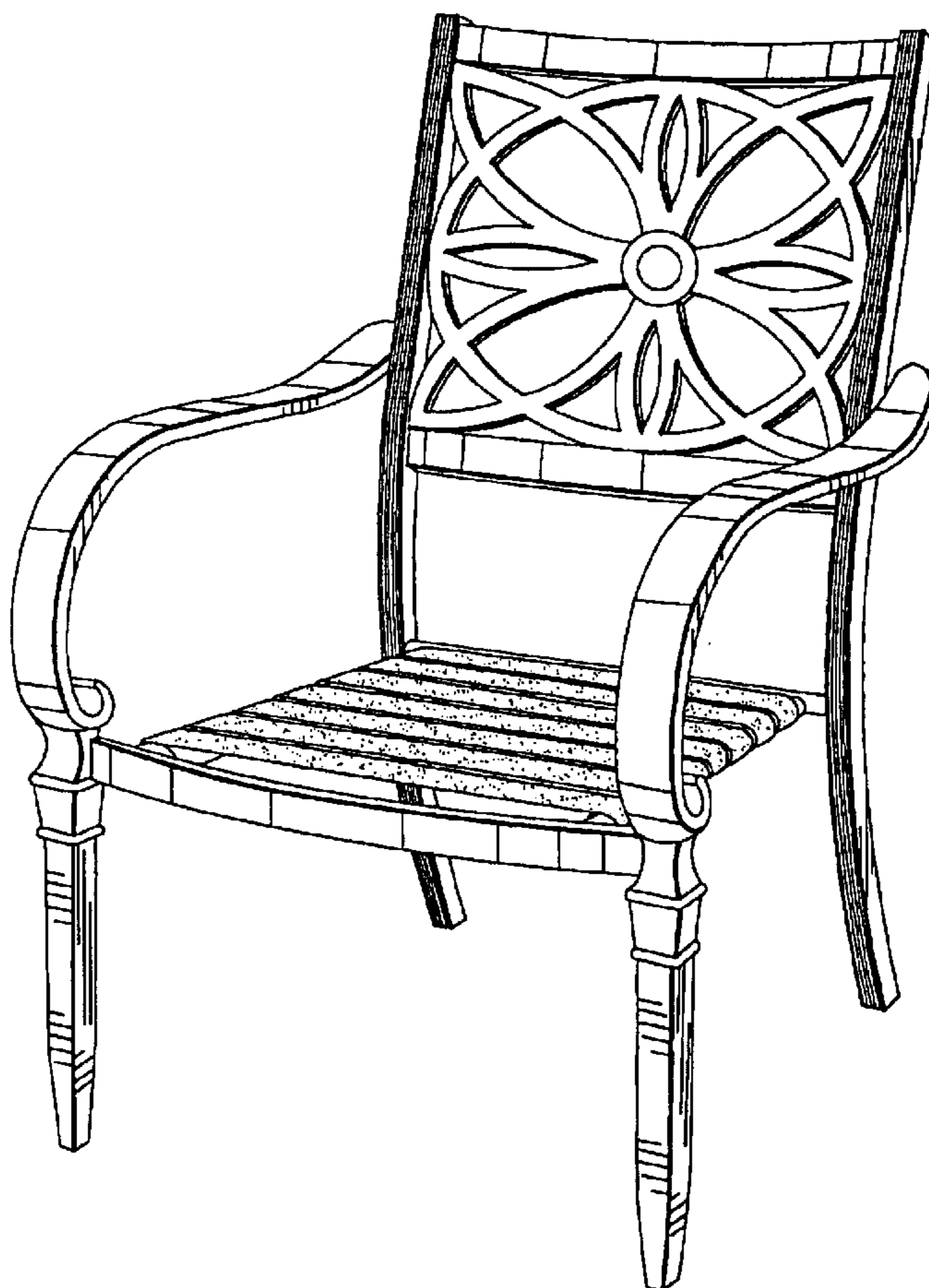
(56) **References Cited**

FIG. 1 is a perspective view of chair showing my new design;  
FIG. 2 is a front elevational view thereof;  
FIG. 3 is a rear elevational view thereof;  
FIG. 4 is a left side elevational view thereof;  
FIG. 5 is a right side elevational view thereof;  
FIG. 6 is a top plan view thereof; and,  
FIG. 7 is a bottom plan view thereof.

**U.S. PATENT DOCUMENTS**

- D371,686 S \* 7/1996 Caldwell ..... D6/376
- D422,425 S \* 4/2000 Tseng ..... D6/376
- D445,584 S \* 7/2001 O'Hare et al. .... D6/379
- D454,714 S \* 3/2002 Tseng ..... D6/376

**1 Claim, 4 Drawing Sheets**



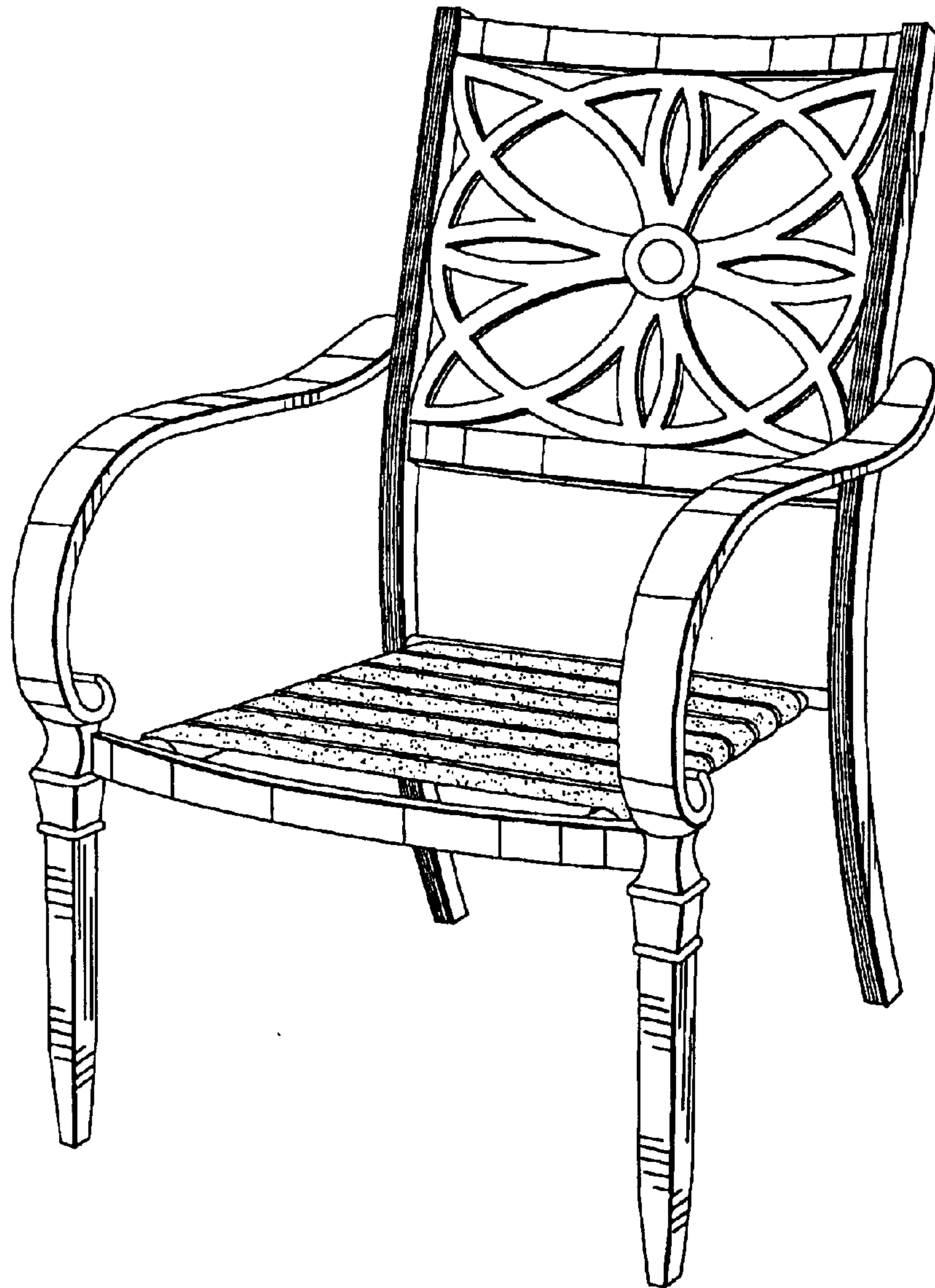


FIG. 1

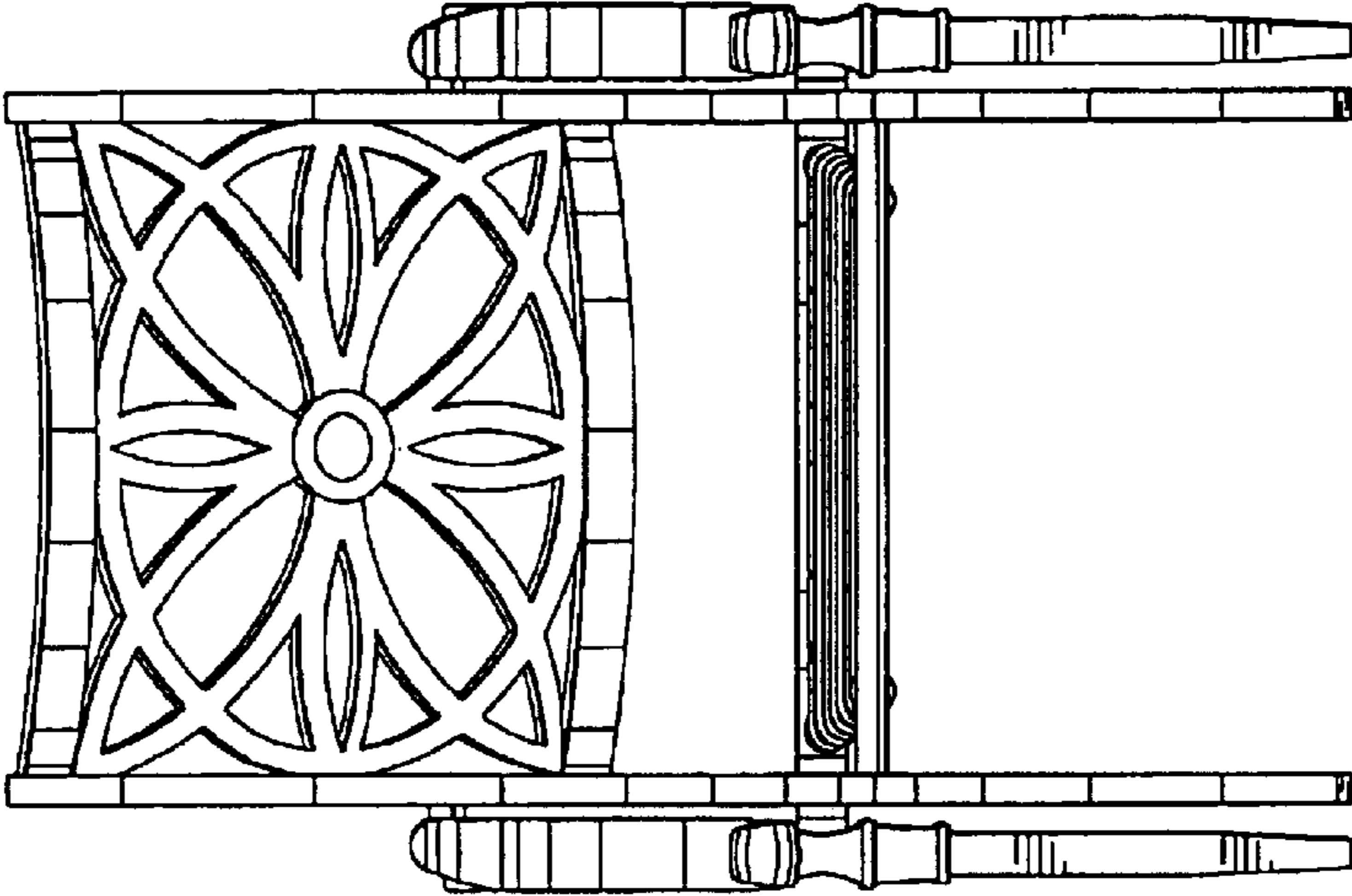


FIG. 2

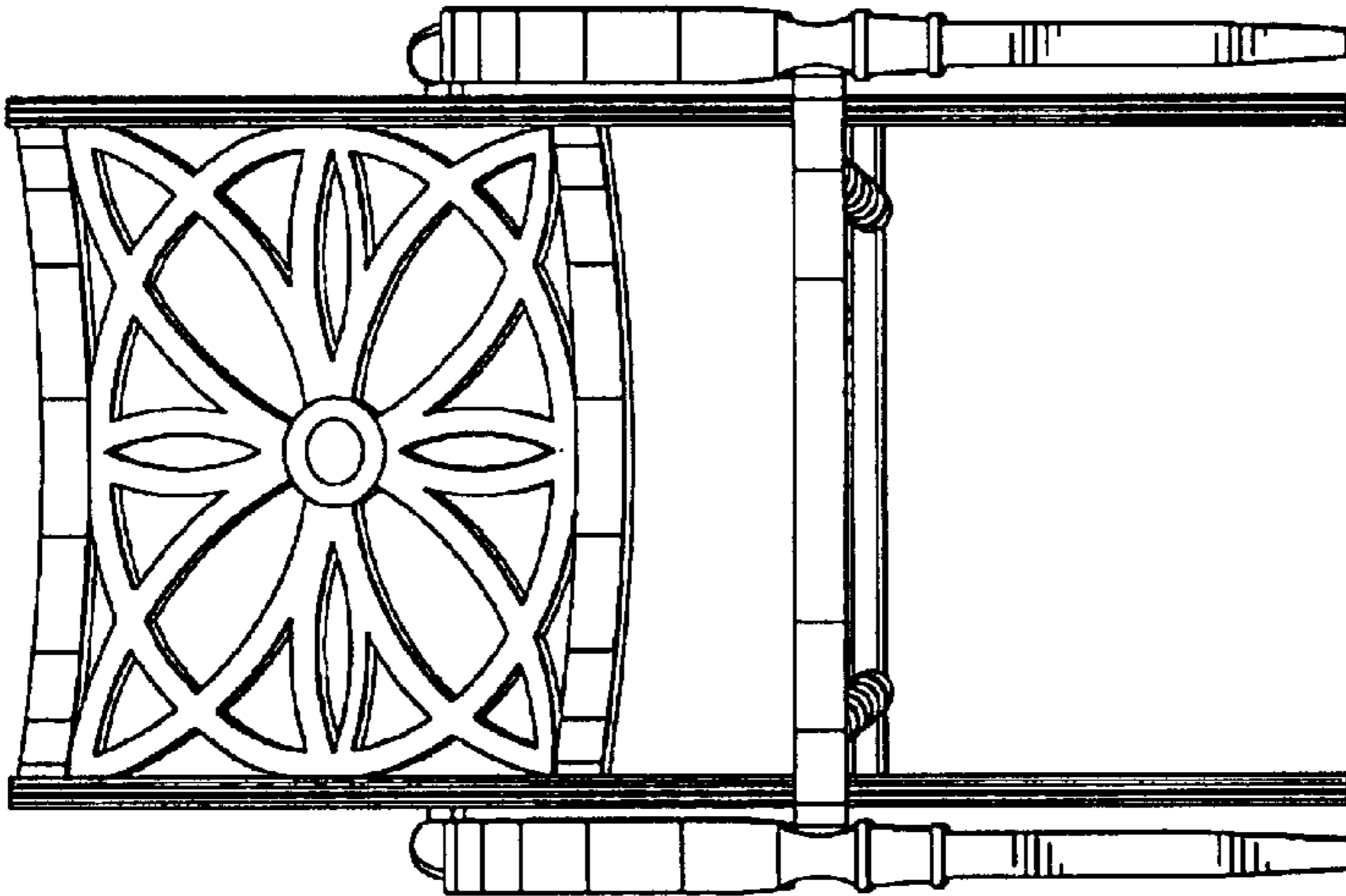


FIG. 3

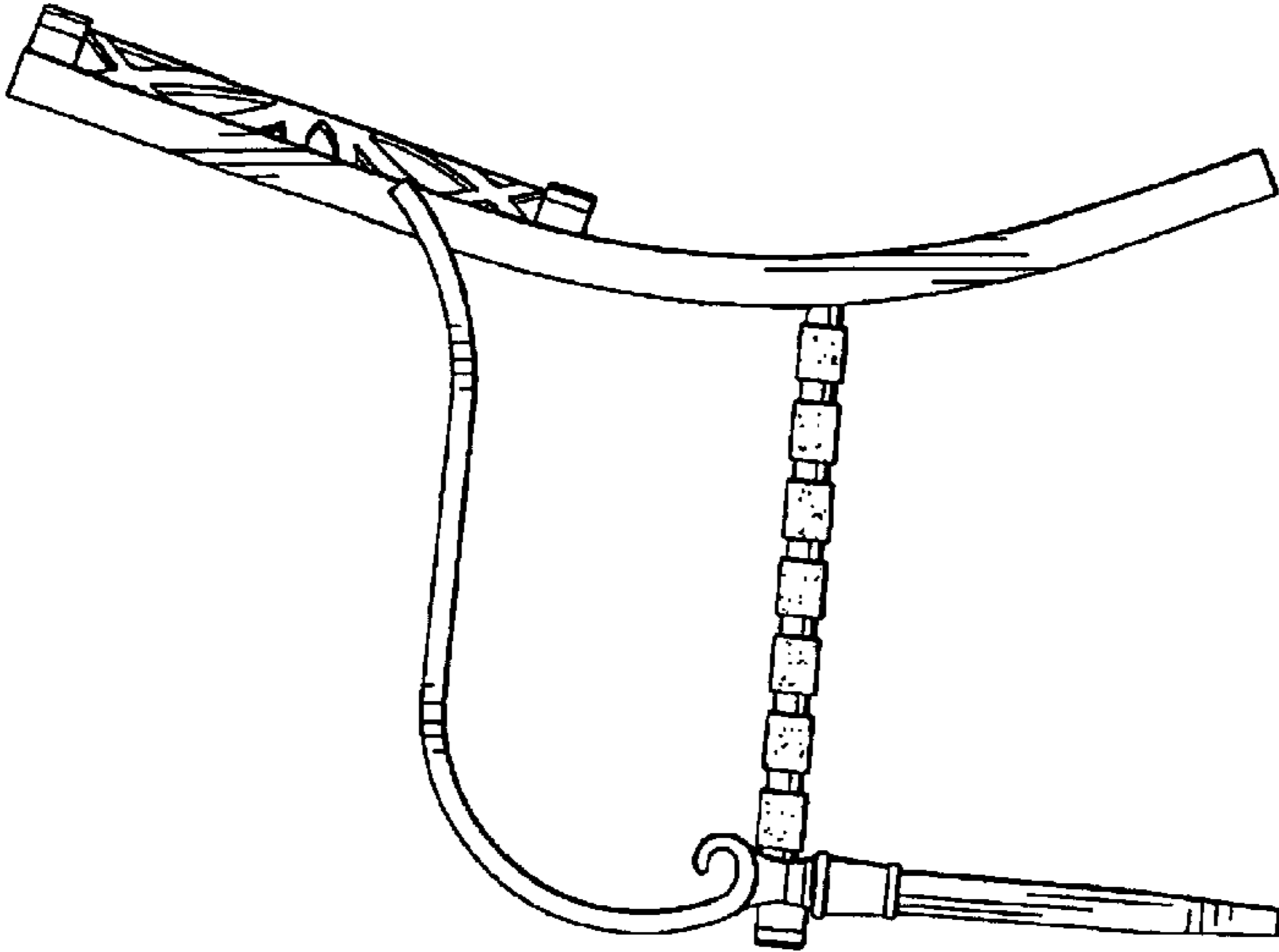


FIG. 5

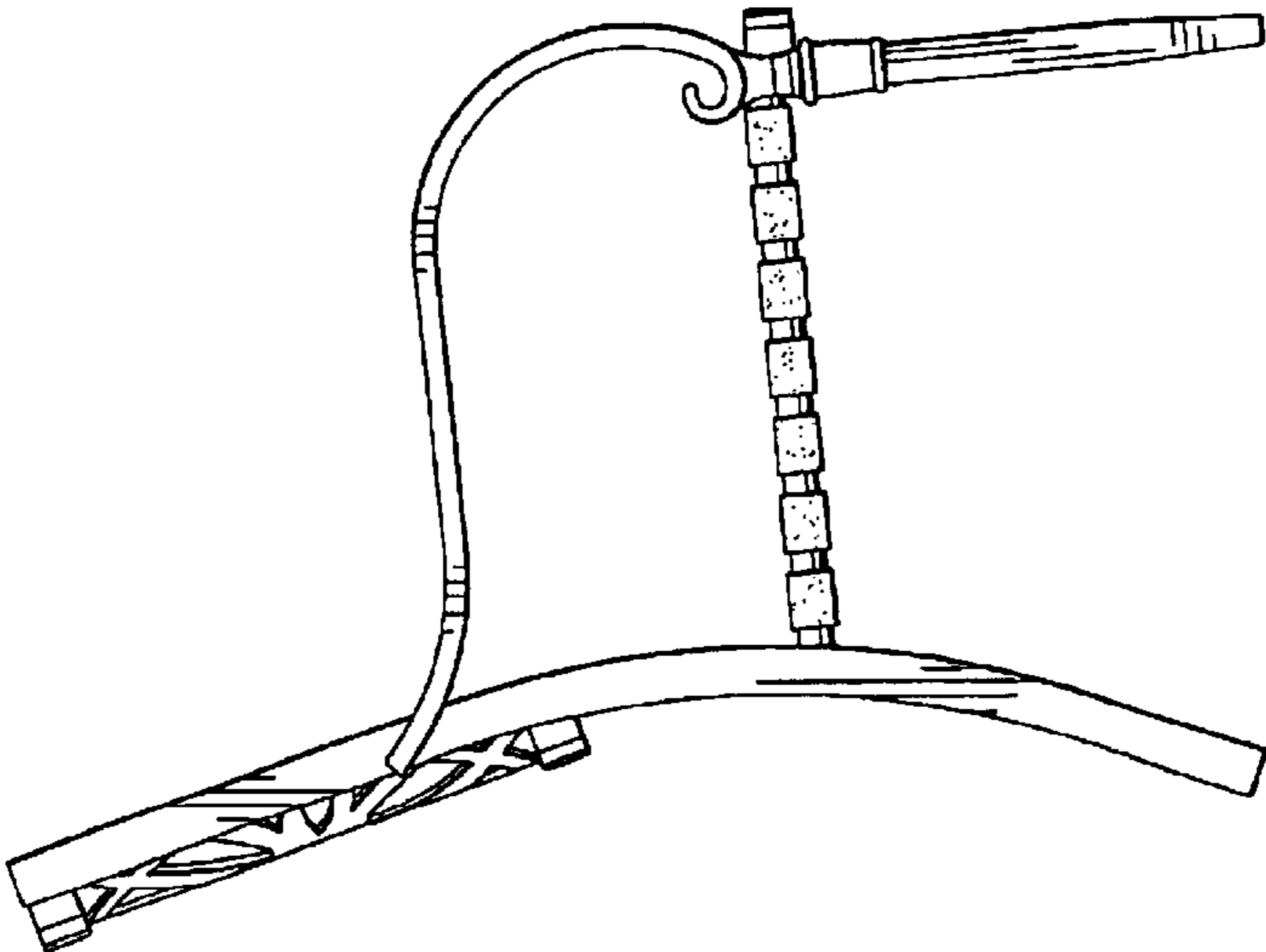


FIG. 4

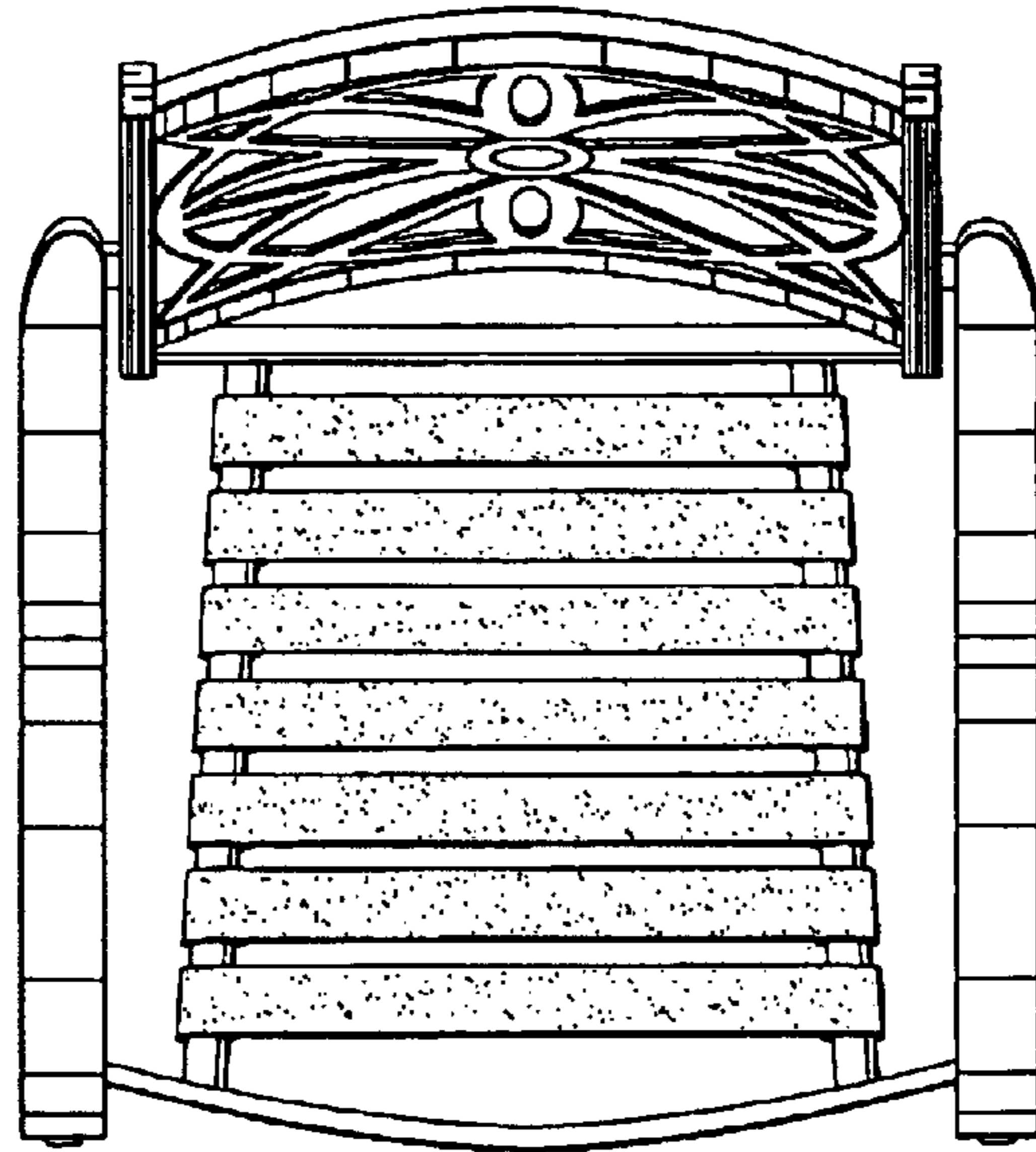


FIG. 6

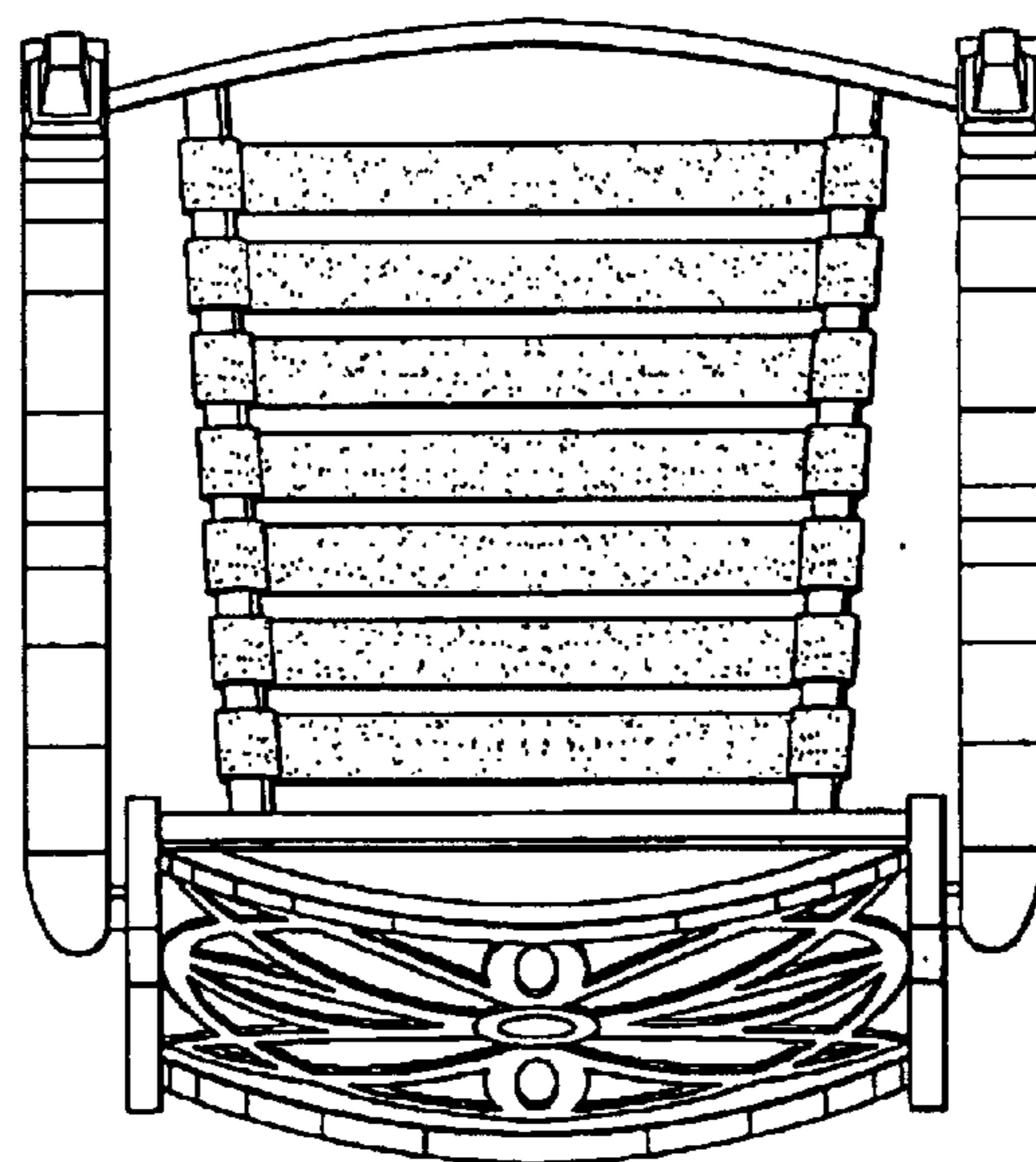


FIG. 7