

US00D502607S

(12) **United States Design Patent**
Miyake et al.

(10) **Patent No.: US D502,607 S**

(45) **Date of Patent: ** Mar. 8, 2005**

(54) **ELECTRIC MASSAGING CHAIR**
(75) Inventors: **Yoshiyuki Miyake**, Yokohama (JP);
Jiro Kobayashi, Narashino (JP); **Taro Mochida**, Tokyo (JP); **Junichi Yamada**,
Hidaka (JP); **Nobutaka Kato**,
Yokohama (JP)

5,792,082 A * 8/1998 Yamanaka et al. 601/148
D402,479 S * 12/1998 Inada D6/361
D418,990 S * 1/2000 Oguri et al. D6/367
D430,974 S * 9/2000 Yang D6/367
D471,372 S * 3/2003 Inada et al. D6/367
D491,375 S * 6/2004 Yuyama D6/335

(73) Assignee: **Matsushita Electric Works, Ltd.**,
Osaka (JP)

“National—SPICE” (product catalog) By Nais of Japan /
Feb., 2003 / p. 15–16.

(**) Term: **14 Years**

* cited by examiner

(21) Appl. No.: **29/194,819**

Primary Examiner—Mimosa De
(74) *Attorney, Agent, or Firm*—J.C. Patents

(22) Filed: **Dec. 1, 2003**

(57) **CLAIM**

(30) **Foreign Application Priority Data**

The ornamental design for an electric massaging chair, as
shown and described.

Jun. 4, 2003 (JP) 2003-015753

(51) **LOC (7) Cl.** **06-01**

DESCRIPTION

(52) **U.S. Cl.** **D6/335; D6/367**

FIG. 1 is a top and left front perspective view of an electric
massaging chair, showing our new design.

(58) **Field of Search** D6/334–336, 360,
D6/361, 367, 368, 379, 500–502; 297/68,
84, 85, 271.2, 271.3, 281, 330, 411.45,
423.19, 423.3; 601/49, 57–59, 102, 115,
116, 148, 97–99

FIG. 2 is a left side elevational view thereof, the opposite
side view being a mirror image.

FIG. 3 is a front elevational view thereof.

FIG. 4 is a rear elevational view thereof.

FIG. 5 is a top plan view thereof.

FIG. 6 is a bottom plan view thereof; and,

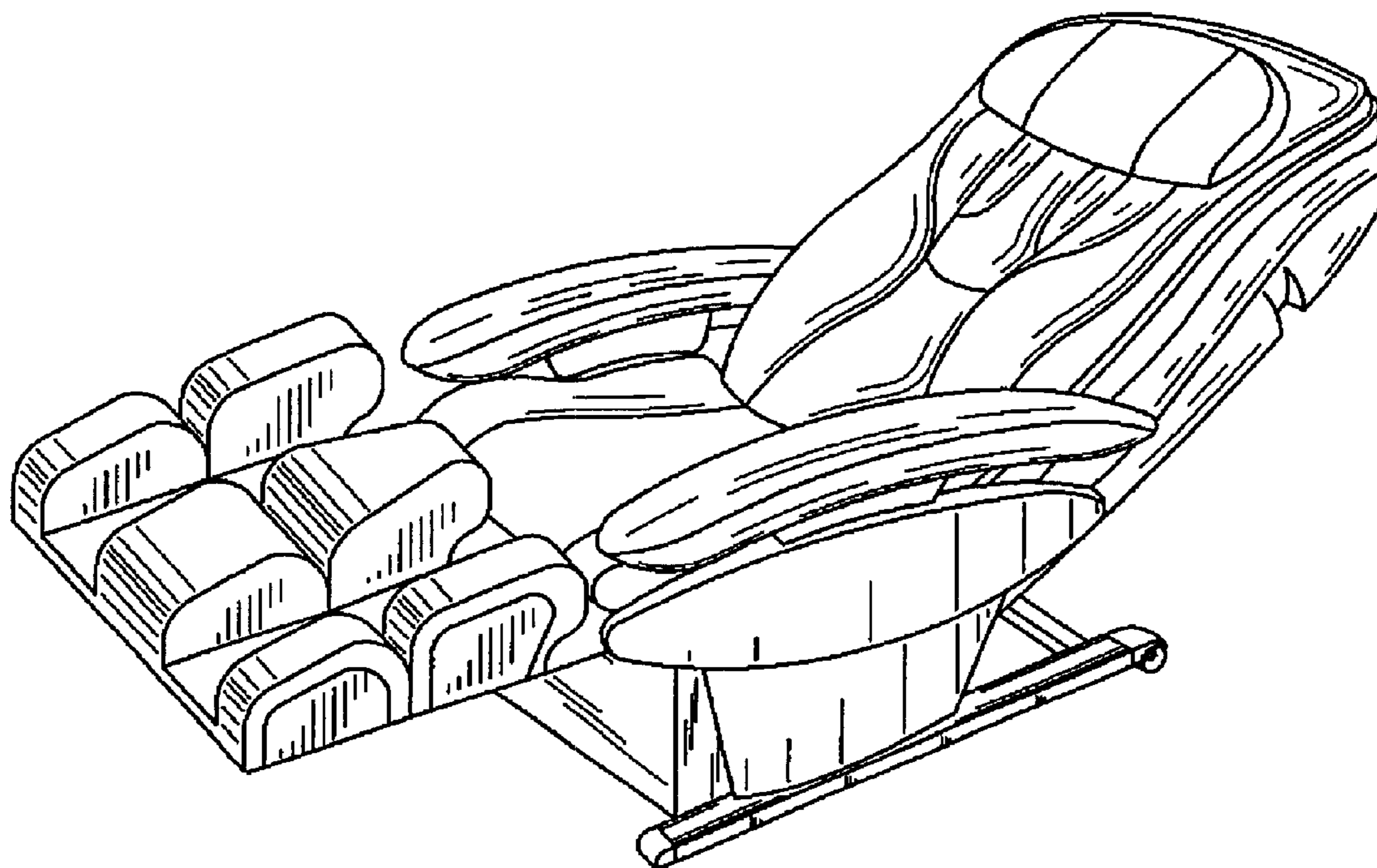
FIG. 7 is a side elevational view thereof showing the state
where the back is raised and the leg rest is folded.

(56) **References Cited**

U.S. PATENT DOCUMENTS

D372,801 S * 8/1996 Fujimoto et al. D6/367
5,762,618 A * 6/1998 Yamanaka et al. 601/148

1 Claim, 4 Drawing Sheets



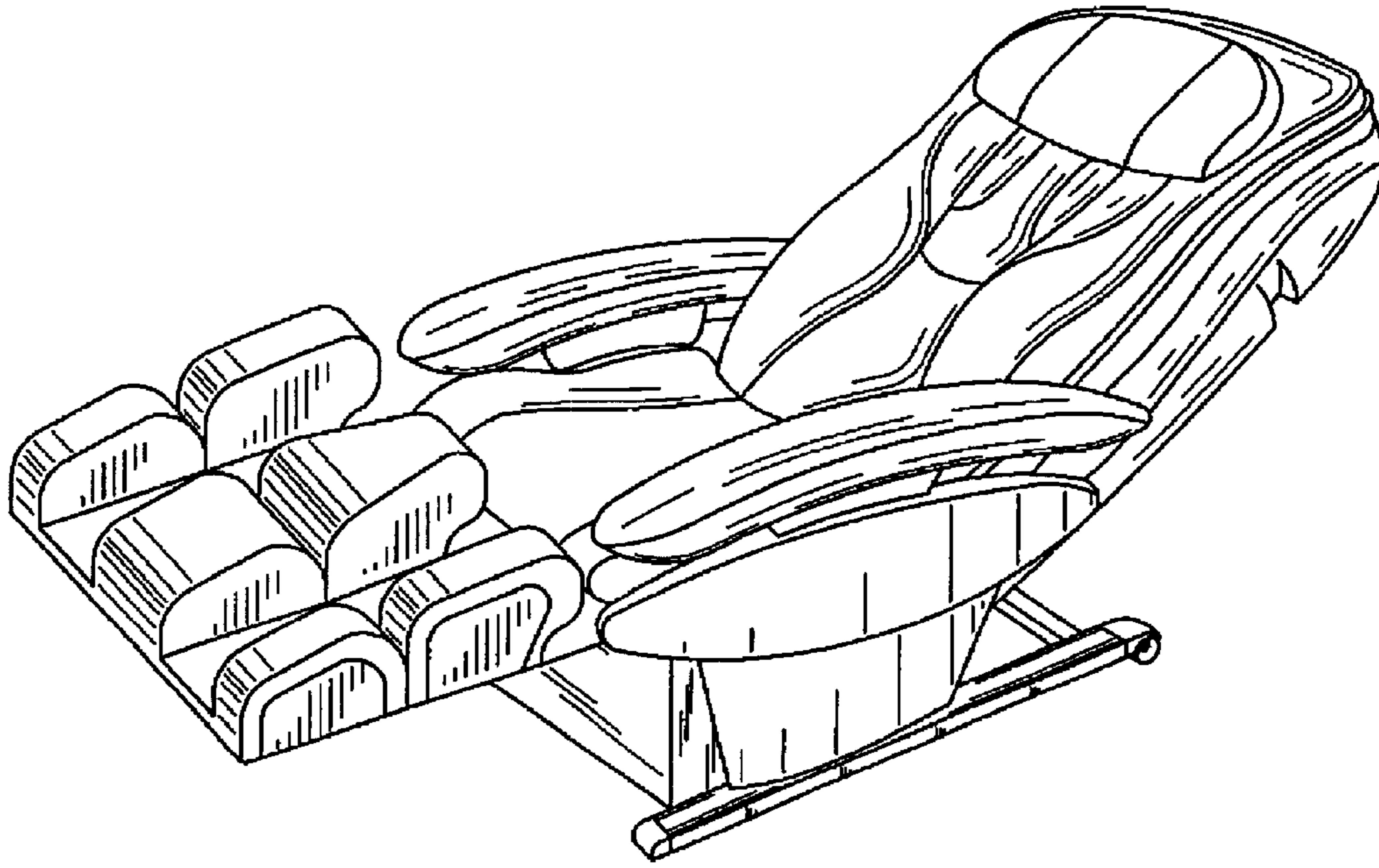


FIG. 1

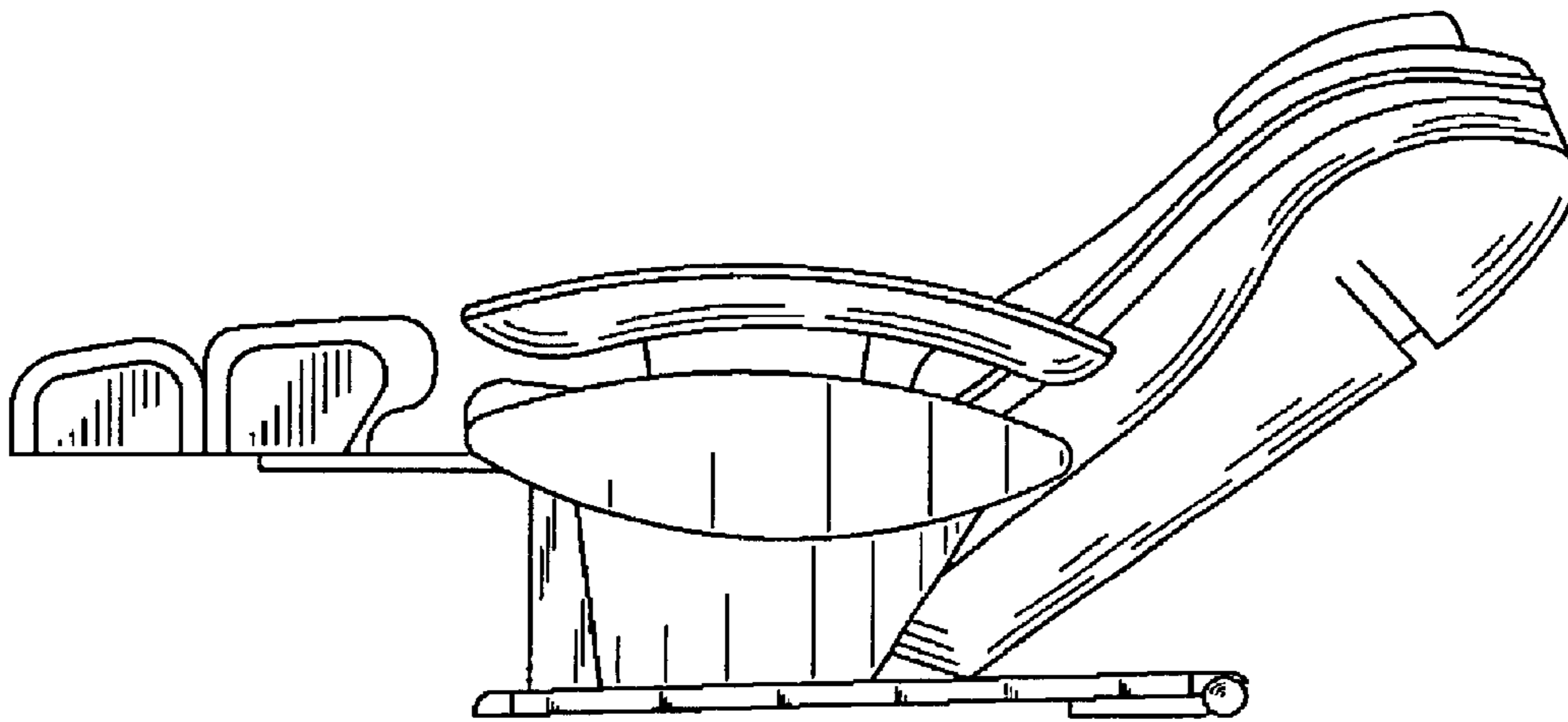


FIG. 2

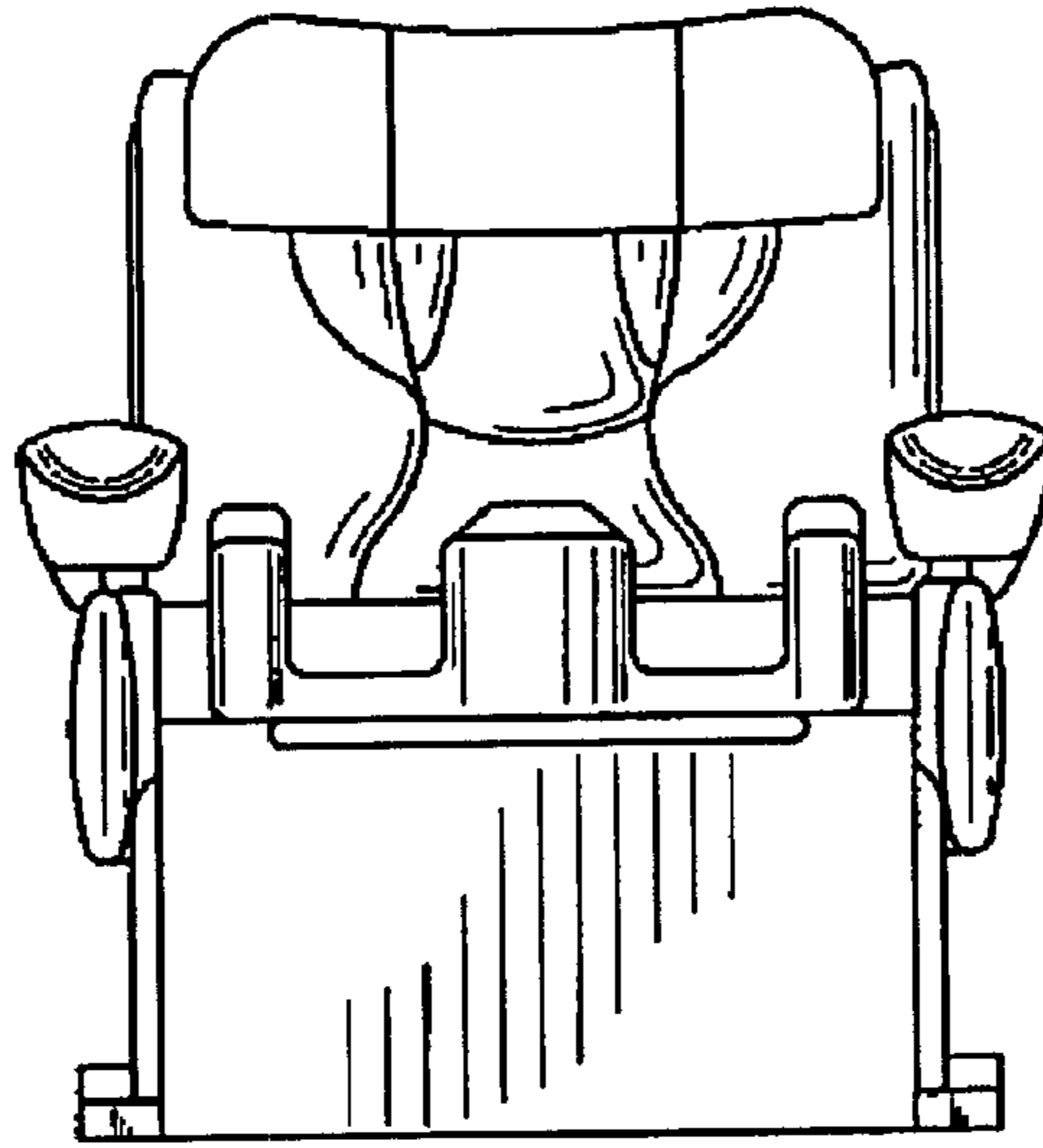


FIG. 3

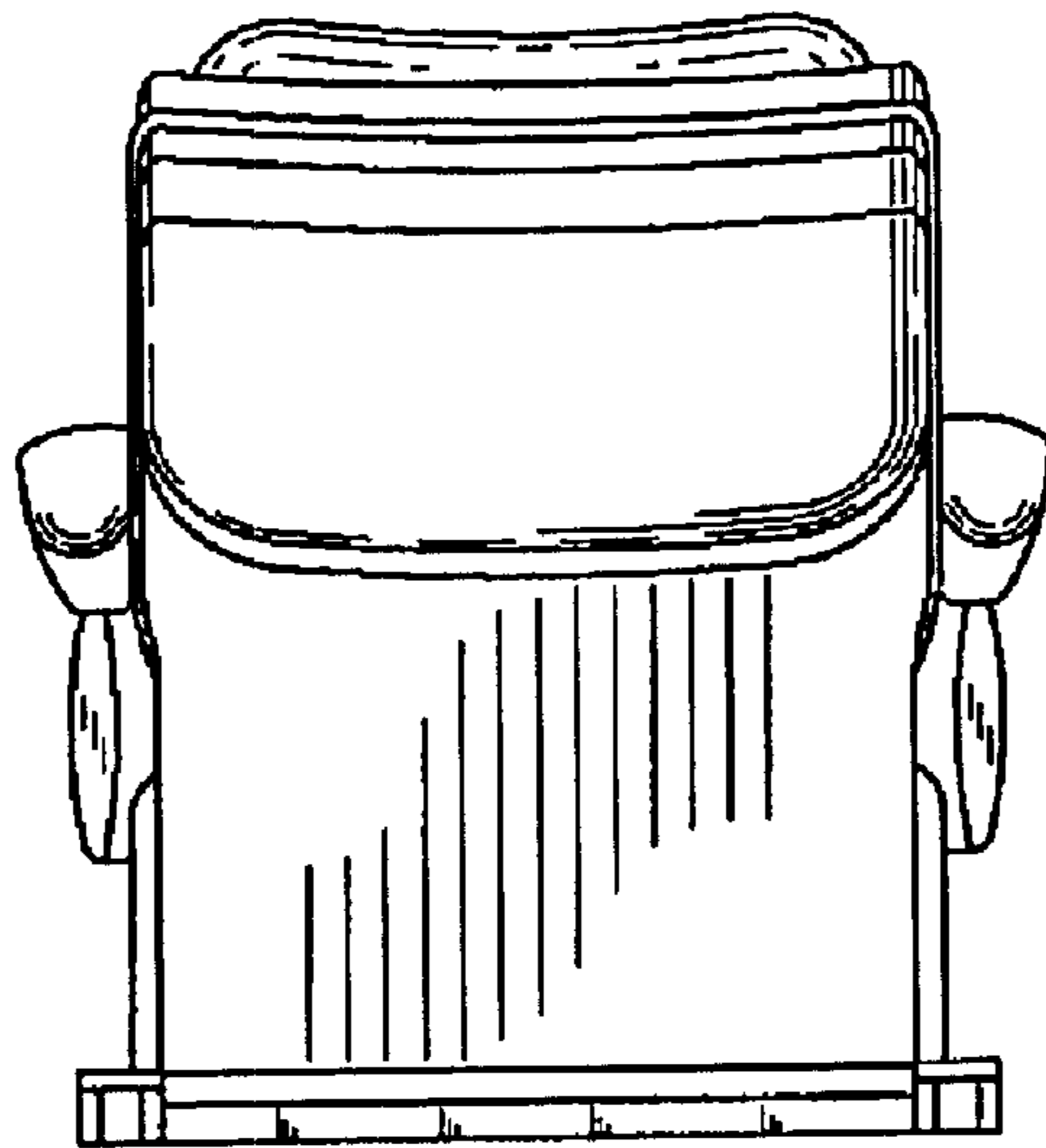


FIG. 4

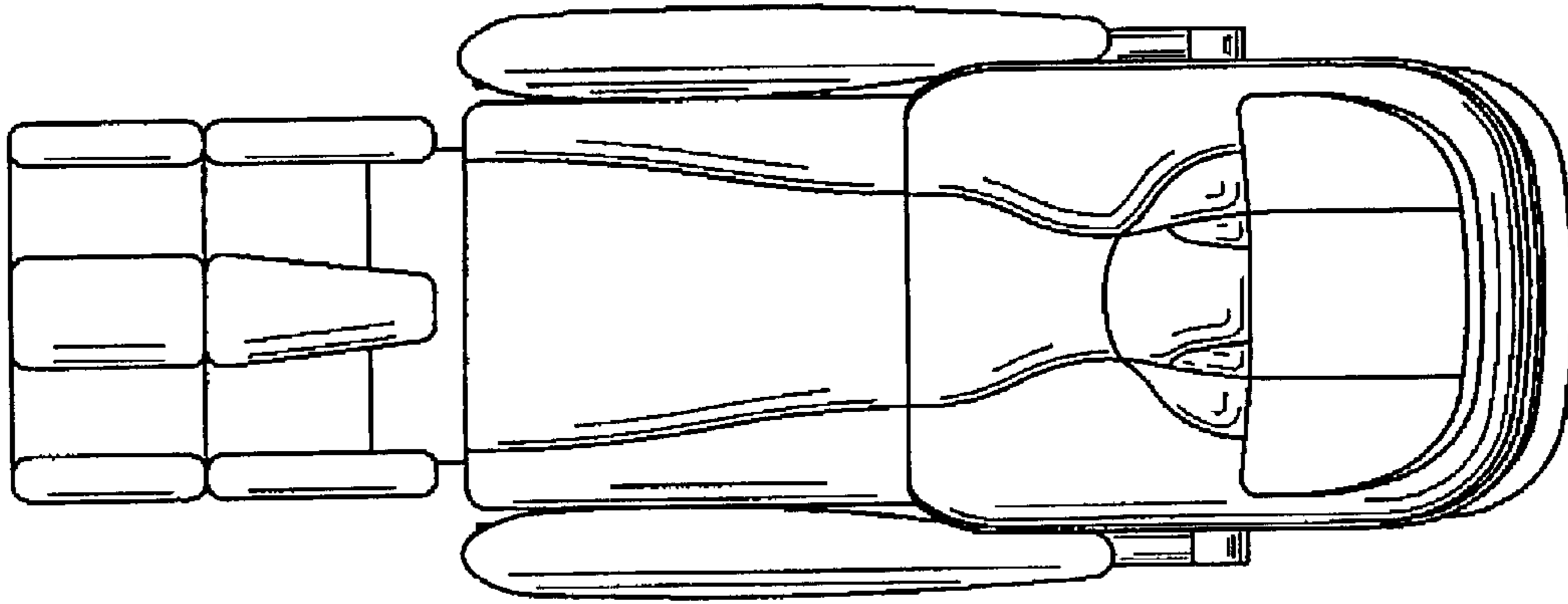


FIG. 5

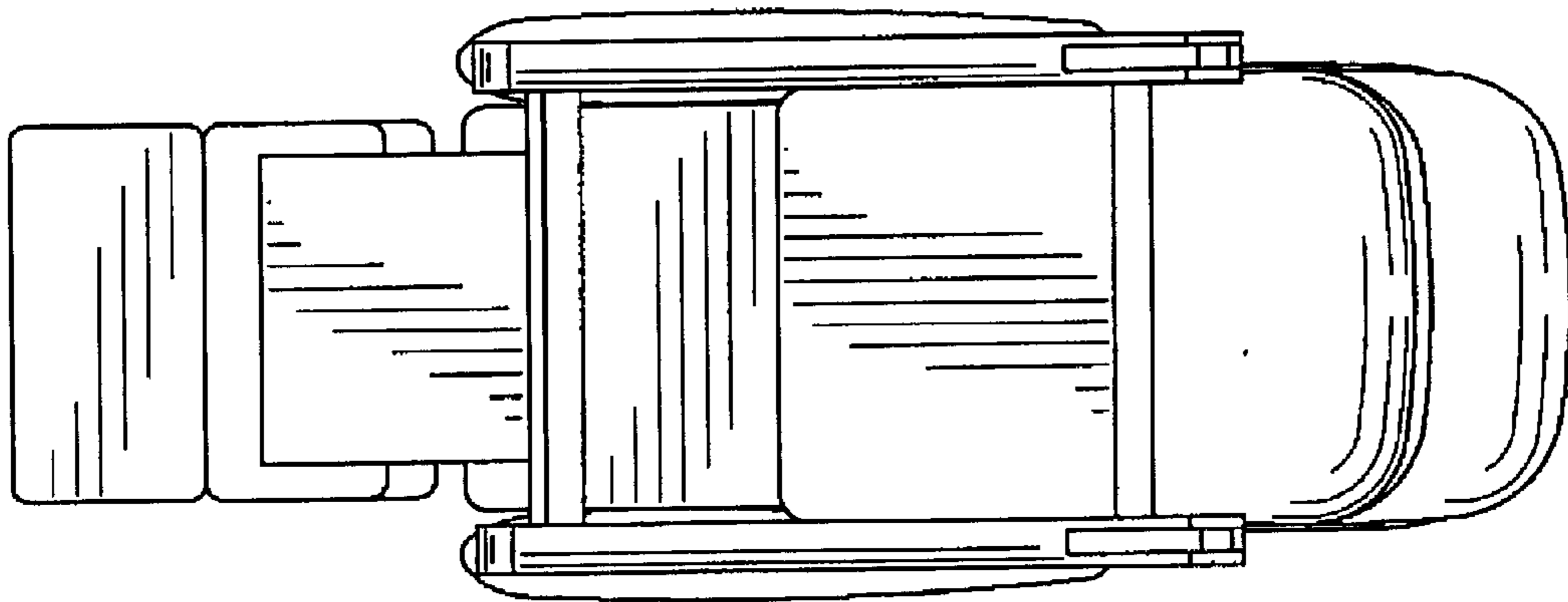


FIG. 6

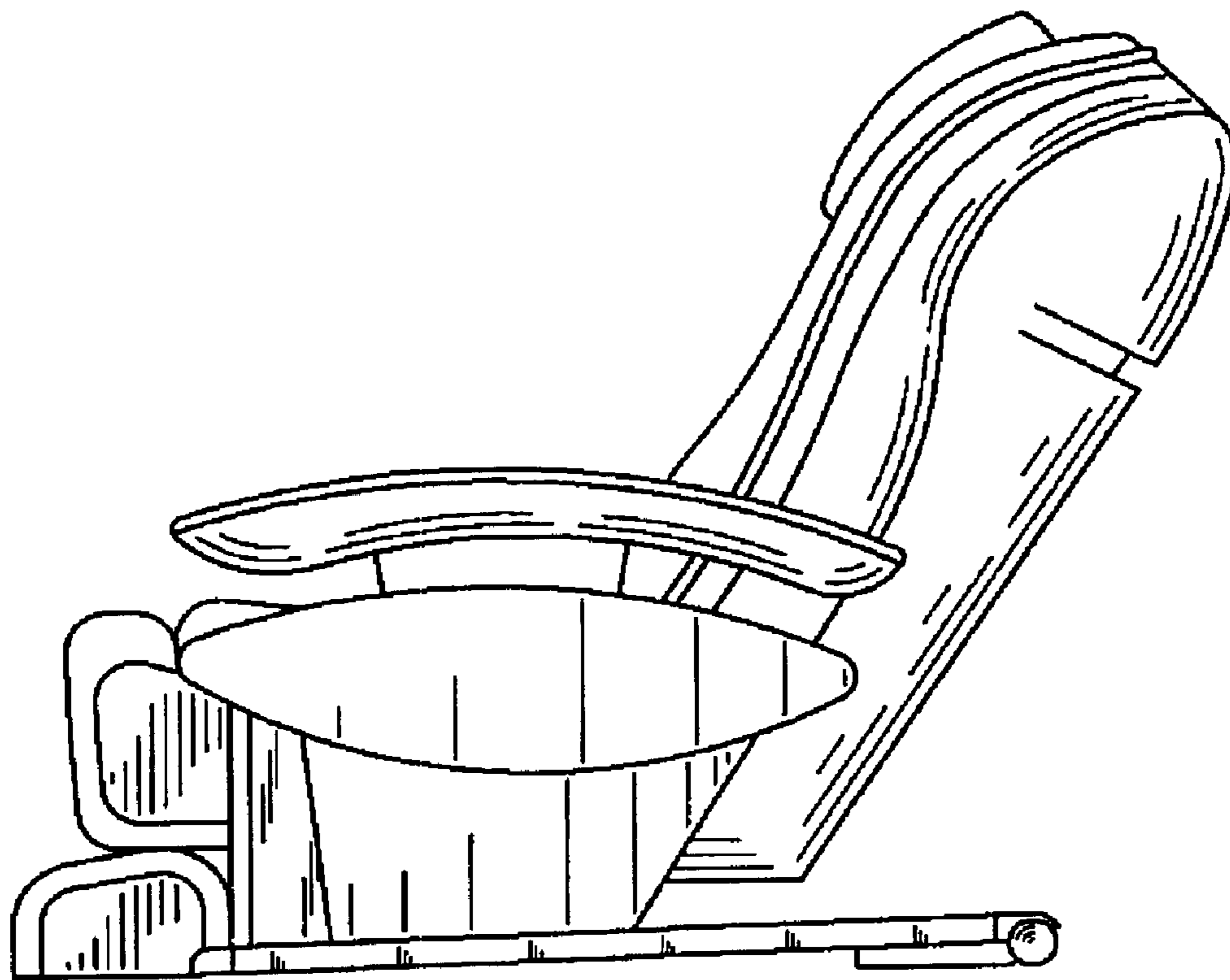


FIG. 7