

US00D502599S

(12) **United States Design Patent**
Cabana et al.

(10) **Patent No.:** **US D502,599 S**
(45) **Date of Patent:** **** Mar. 8, 2005**

(54) **CONTRACTOR TOOL BAG**

(75) Inventors: **Tim Cabana**, Las Vegas, NV (US); **Jay Beyler**, San Antonio, TX (US)

(73) Assignee: **Rooster Products International, Inc.**, San Antonio, TX (US)

(**) Term: **14 Years**

(21) Appl. No.: **29/199,242**

(22) Filed: **Feb. 11, 2004**

(51) **LOC (7) Cl.** **03-01**

(52) **U.S. Cl.** **D3/292; D3/287; D3/289**

(58) **Field of Search** **D3/273, 276, 283, D3/284, 285, 287, 289, 292; 205/349, 372, 373; 190/100, 109, 110, 111, 112, 113**

(56) **References Cited**

U.S. PATENT DOCUMENTS

D328,389 S	*	8/1992	Pardo	D3/290
D426,384 S	*	6/2000	Brouard	D3/276
6,213,268 B1	*	4/2001	Dancyger	190/110
D447,340 S	*	9/2001	Snider	D3/276
D447,632 S	*	9/2001	Gisser	D3/289
D465,923 S	*	11/2002	Pangerc et al.	D3/289
D477,142 S	*	7/2003	Dancyger	D3/274
D477,462 S	*	7/2003	Dancyger	D3/283
D487,345 S	*	3/2004	Brouard	D3/289

OTHER PUBLICATIONS

Duluth Trading Company Catalog, 1998 p. 23, Gate Mouth Longboy tool bag, and p. 24, Camo Big Mouth too bag.*

* cited by examiner

Primary Examiner—Philip S. Hyder
(74) *Attorney, Agent, or Firm*—Gunn & Lee, P.C.; Michelle Evans

(57) **CLAIM**

The ornamental design for a contractor tool bag, as shown and described.

DESCRIPTION

This contractor tool bag is to be used by contractors to carry and transport tools.

FIG. 1 is a front perspective view of the present invention open.

FIG. 2 is a top view thereof with the present invention open.

FIG. 3 is a front view thereof.

FIG. 4 is a view of the right side (as viewed from the front) thereof with the present invention open.

FIG. 5 is a view of the left side (as viewed from the front) thereof with the present invention open.

FIG. 6 is a back view thereof.

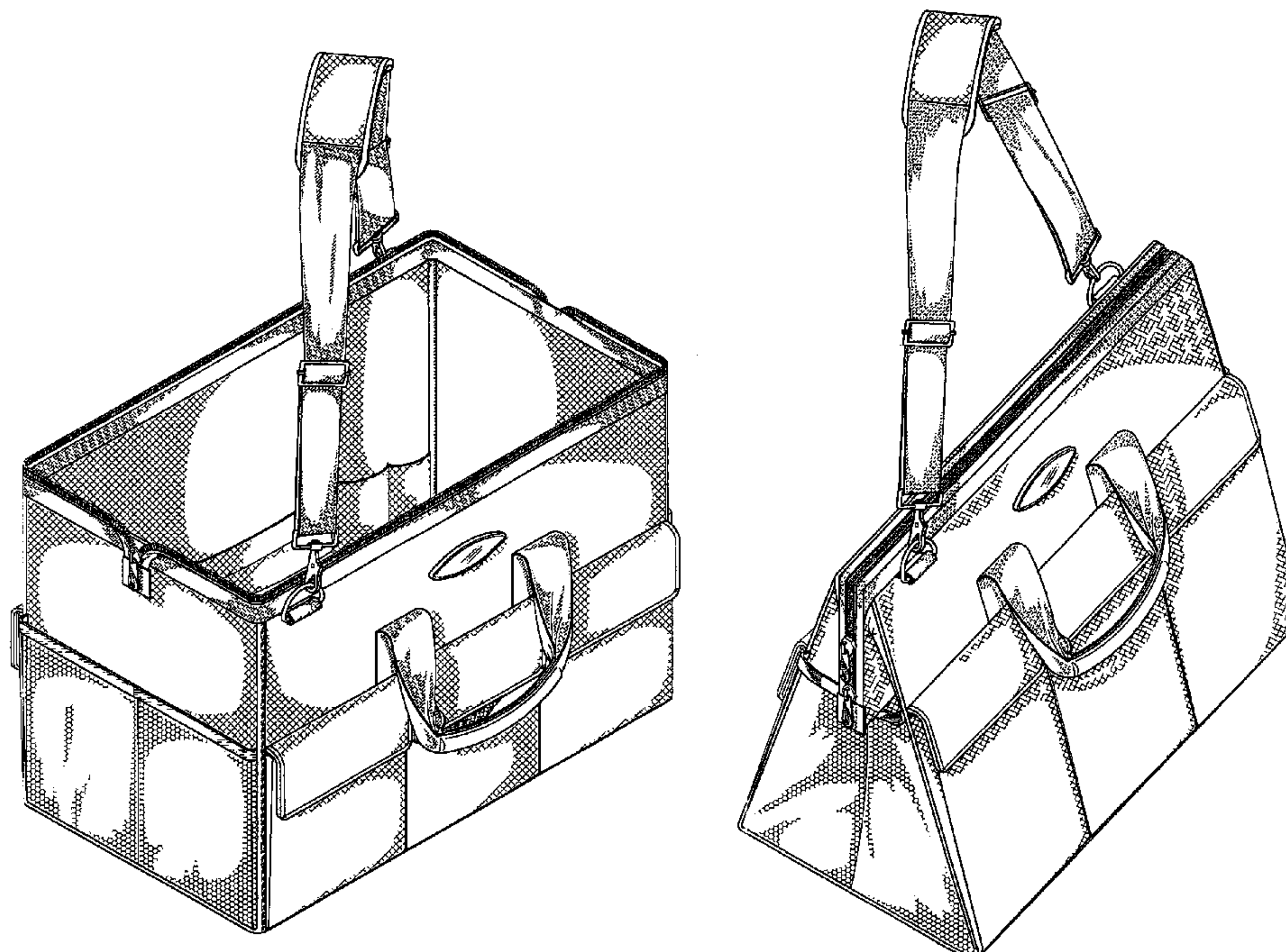
FIG. 7 is a bottom view thereof.

FIG. 8 is an angled top view thereof with the present invention open.

FIG. 9 is a view of the left side (as viewed from the front) thereof with the present invention closed; and,

FIG. 10 is a front perspective view of the present invention closed.

1 Claim, 10 Drawing Sheets



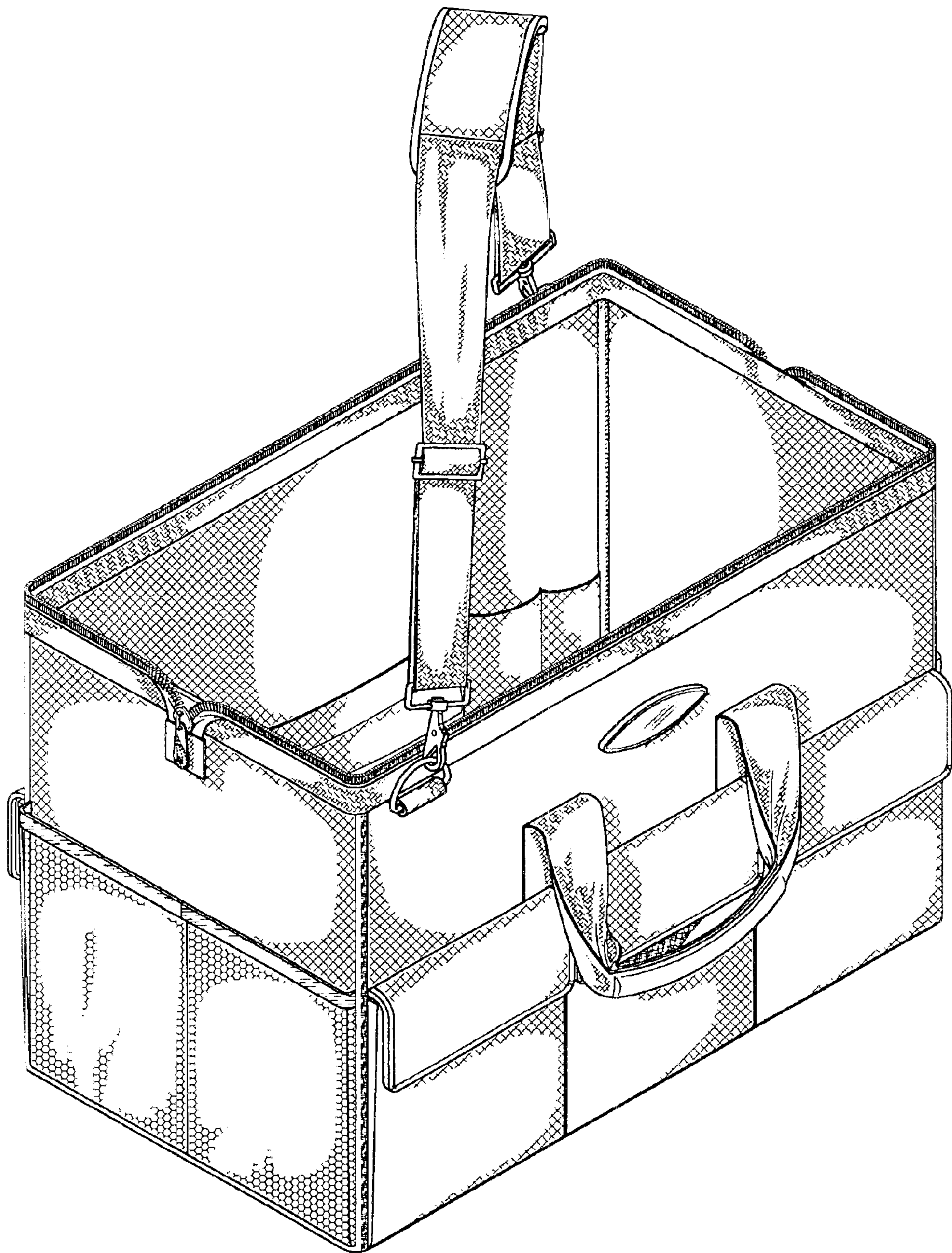


Fig. 1

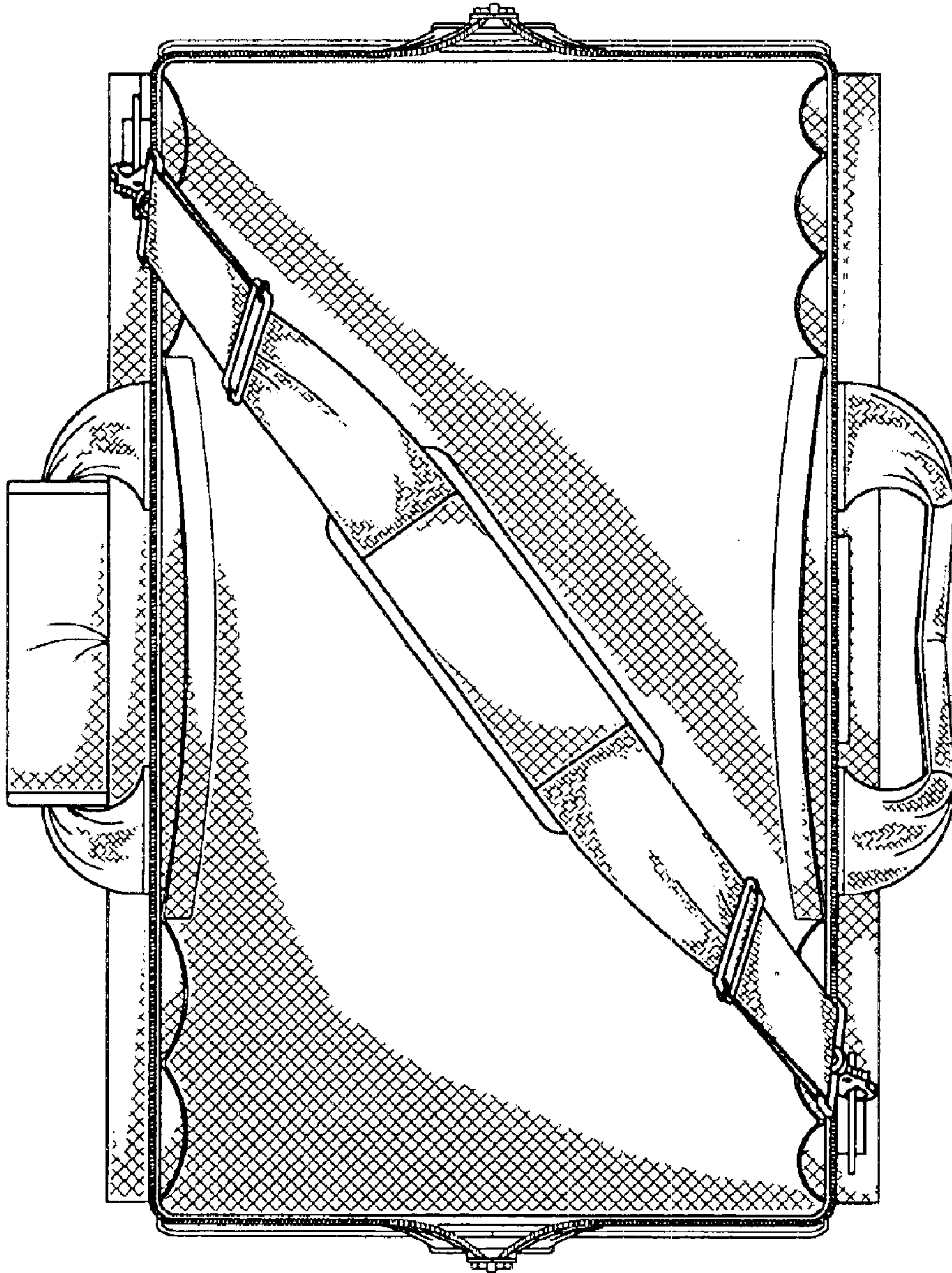


Fig. 2

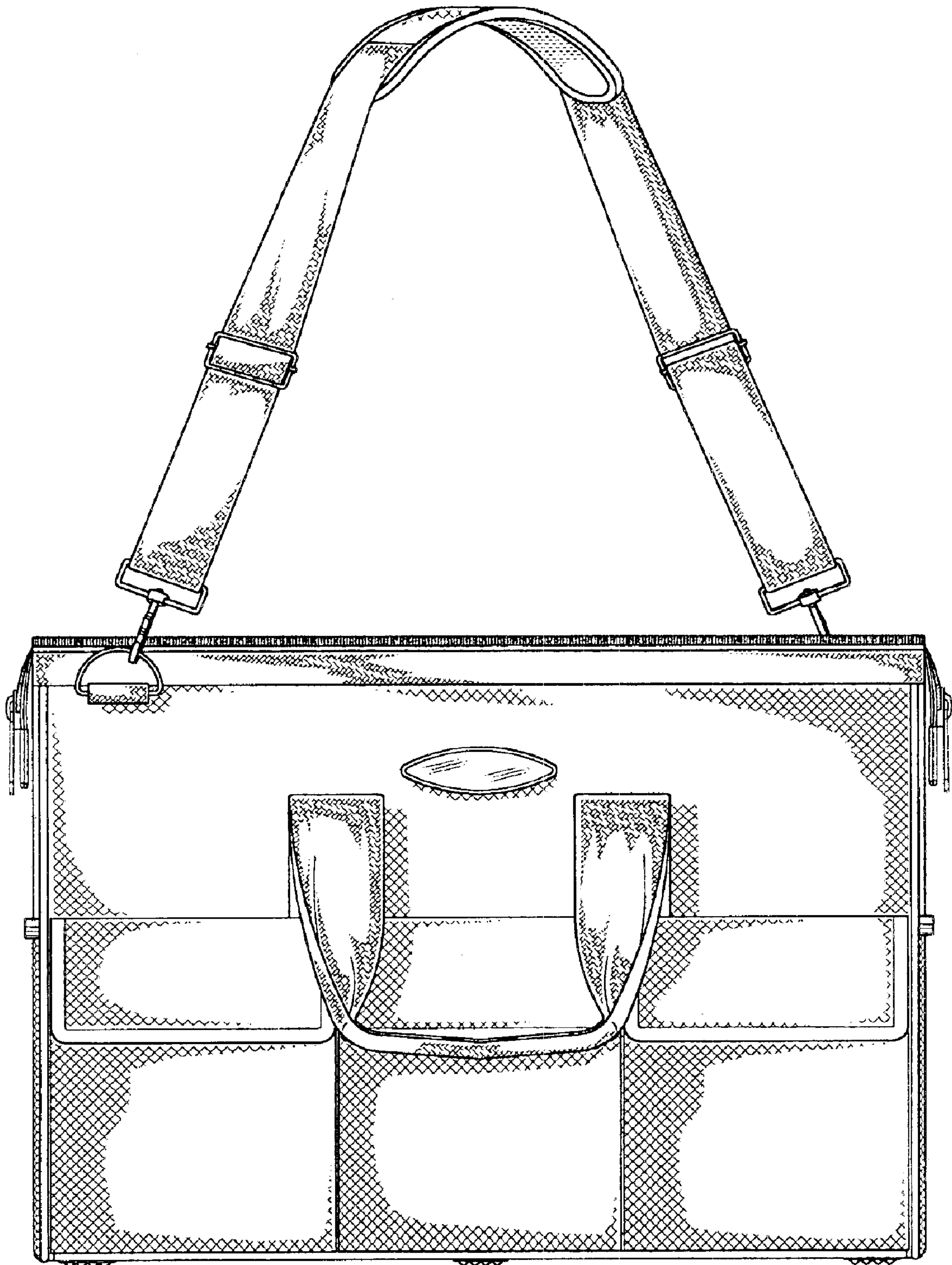


Fig. 3

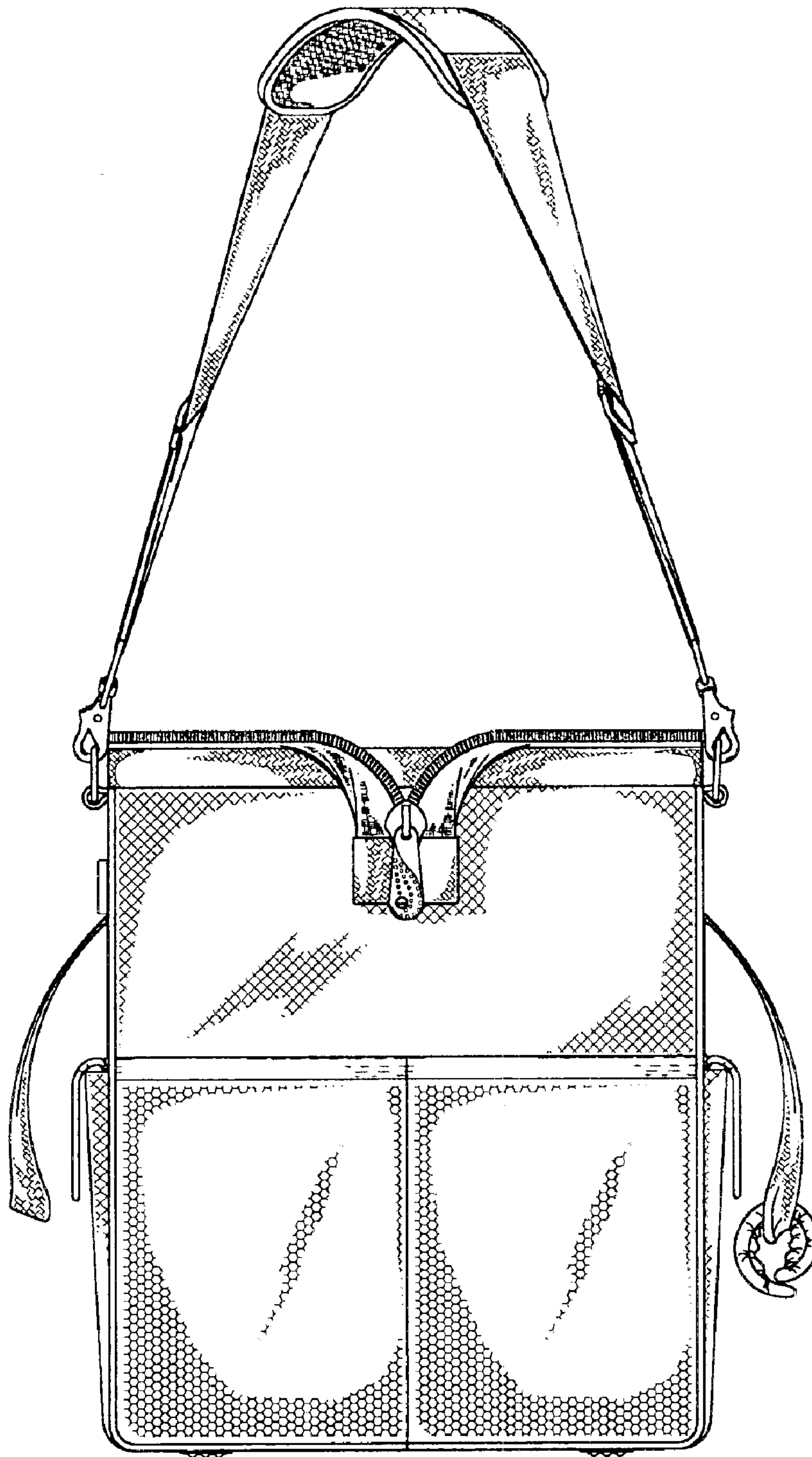


Fig. 4

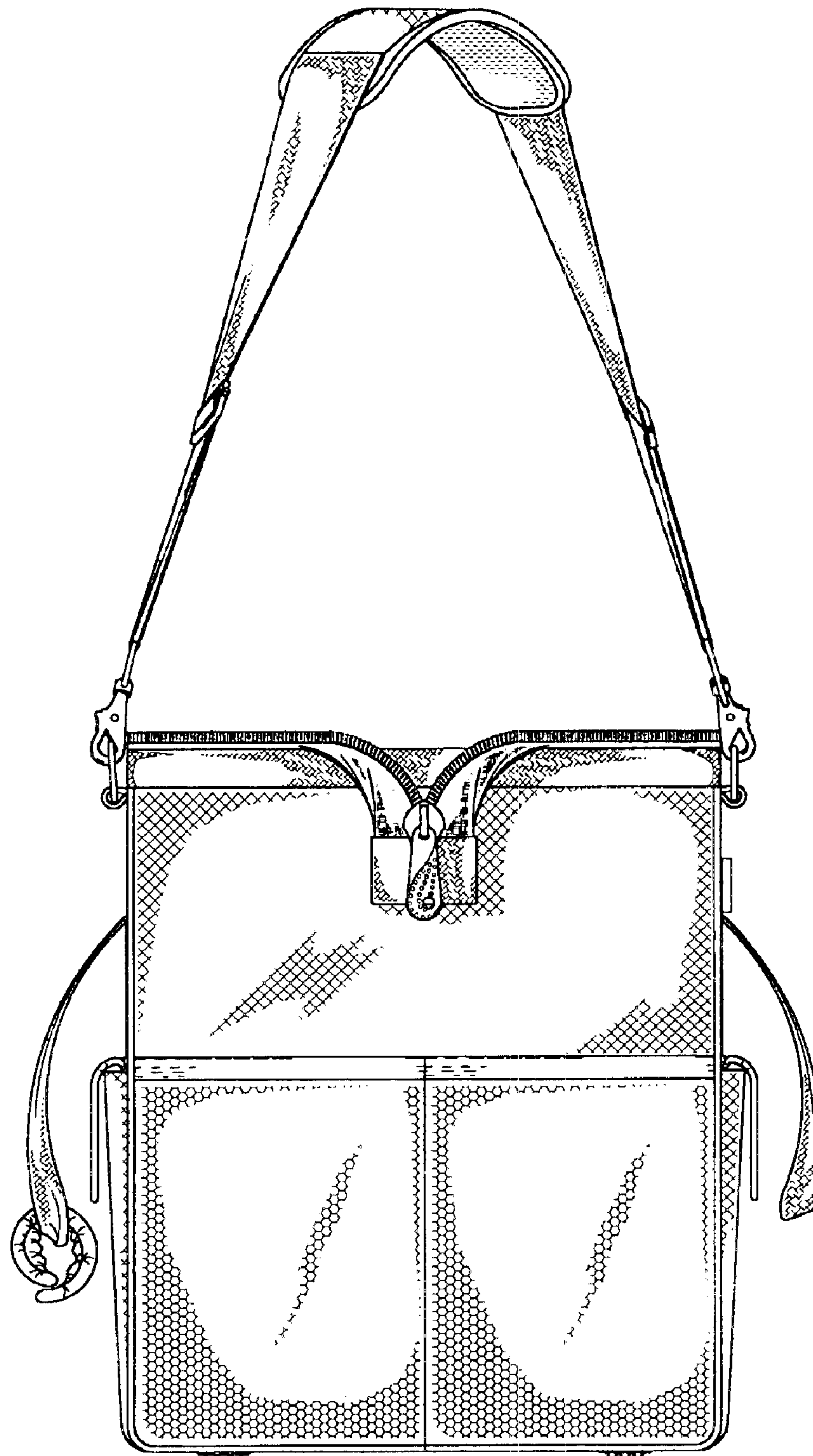


Fig. 5

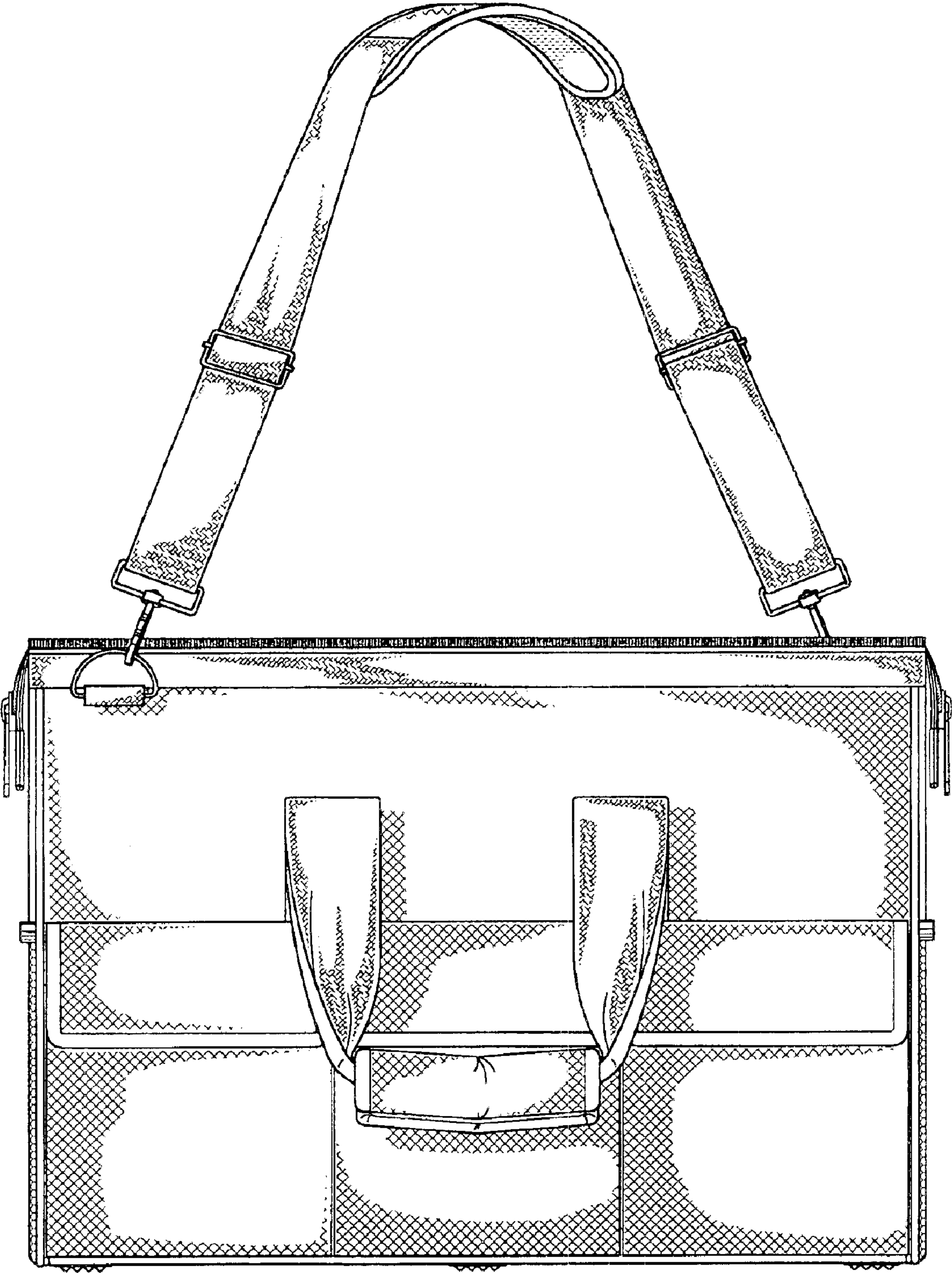


Fig. 6

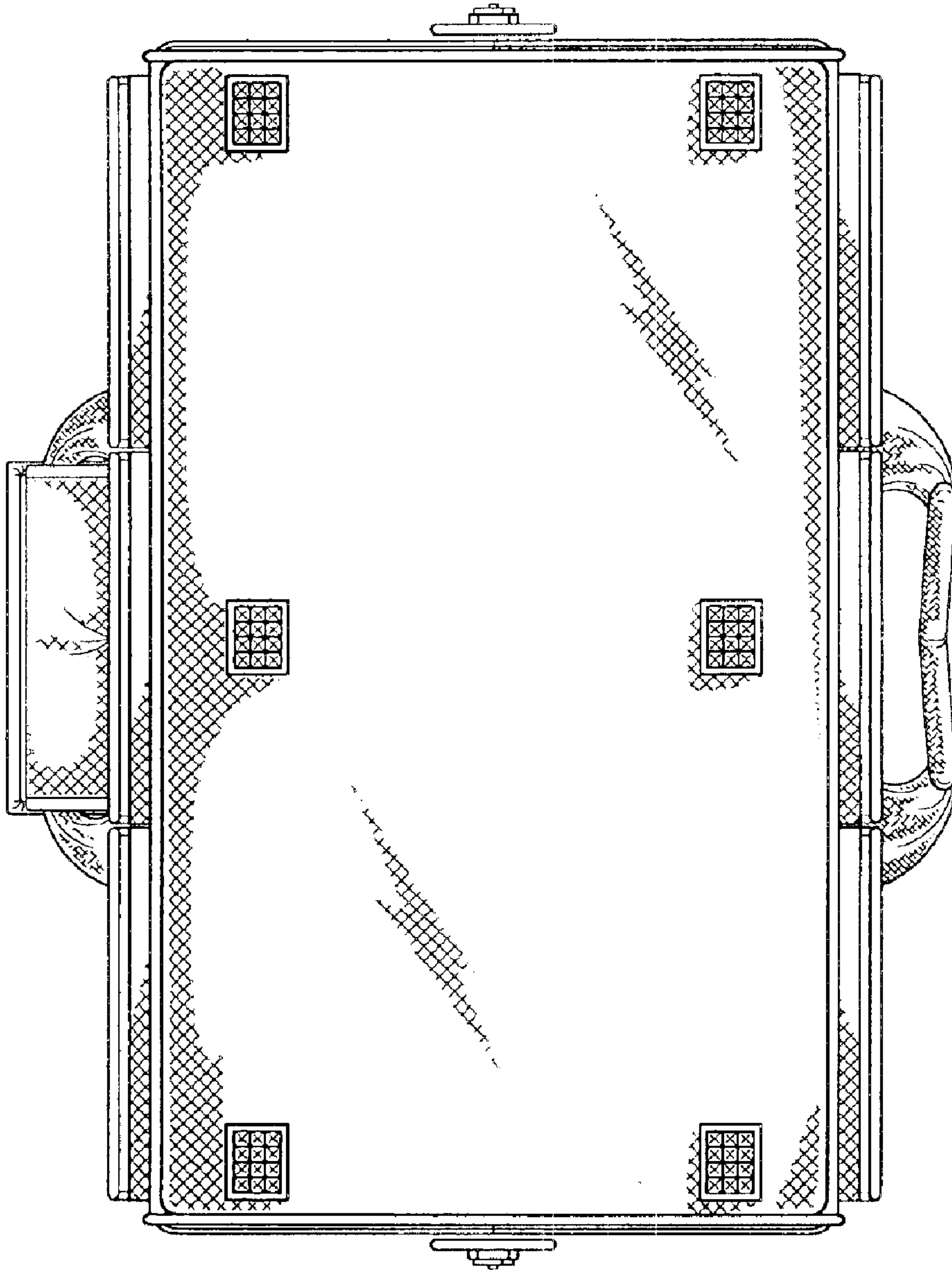


Fig. 7

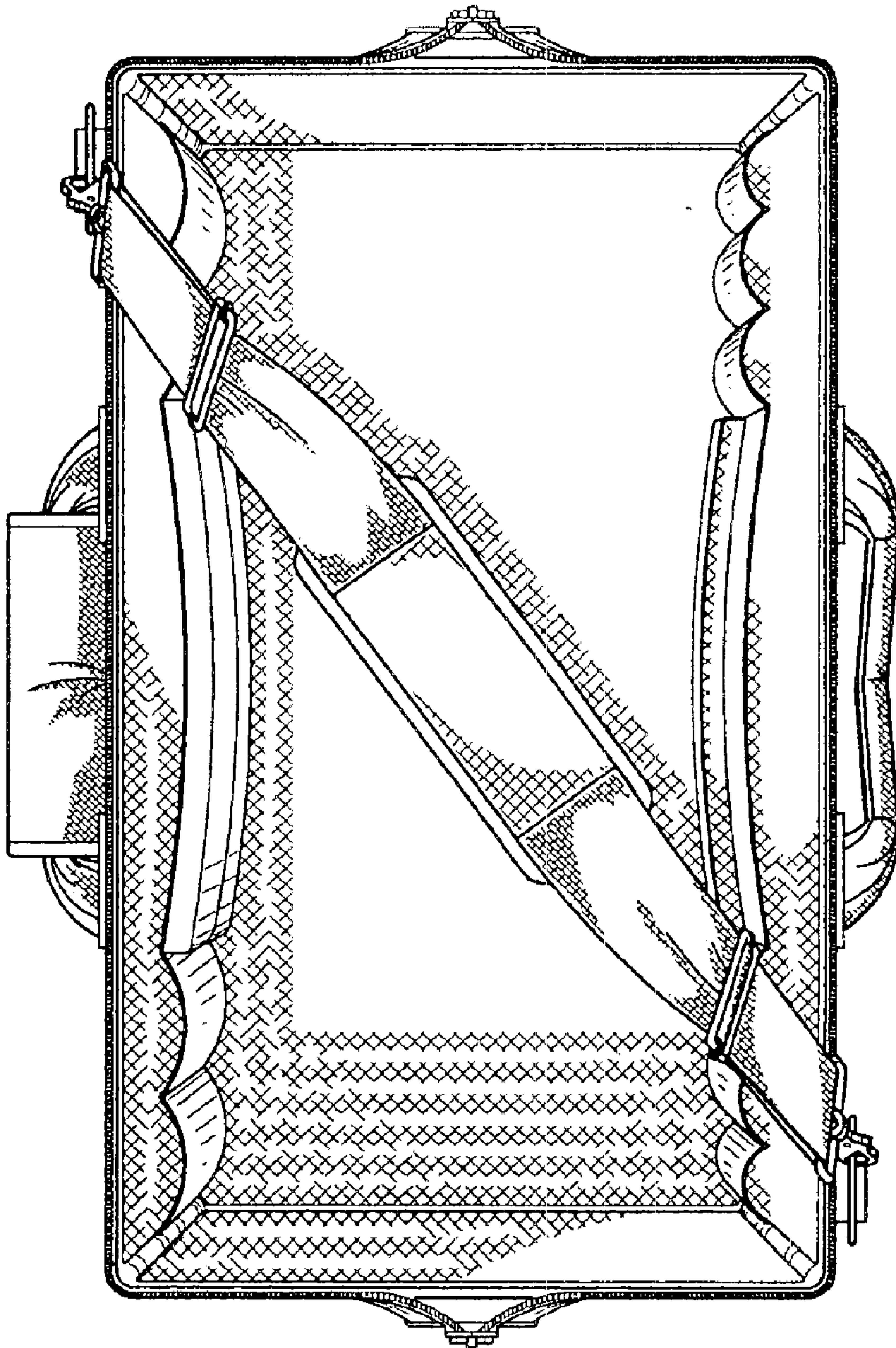


Fig. 8

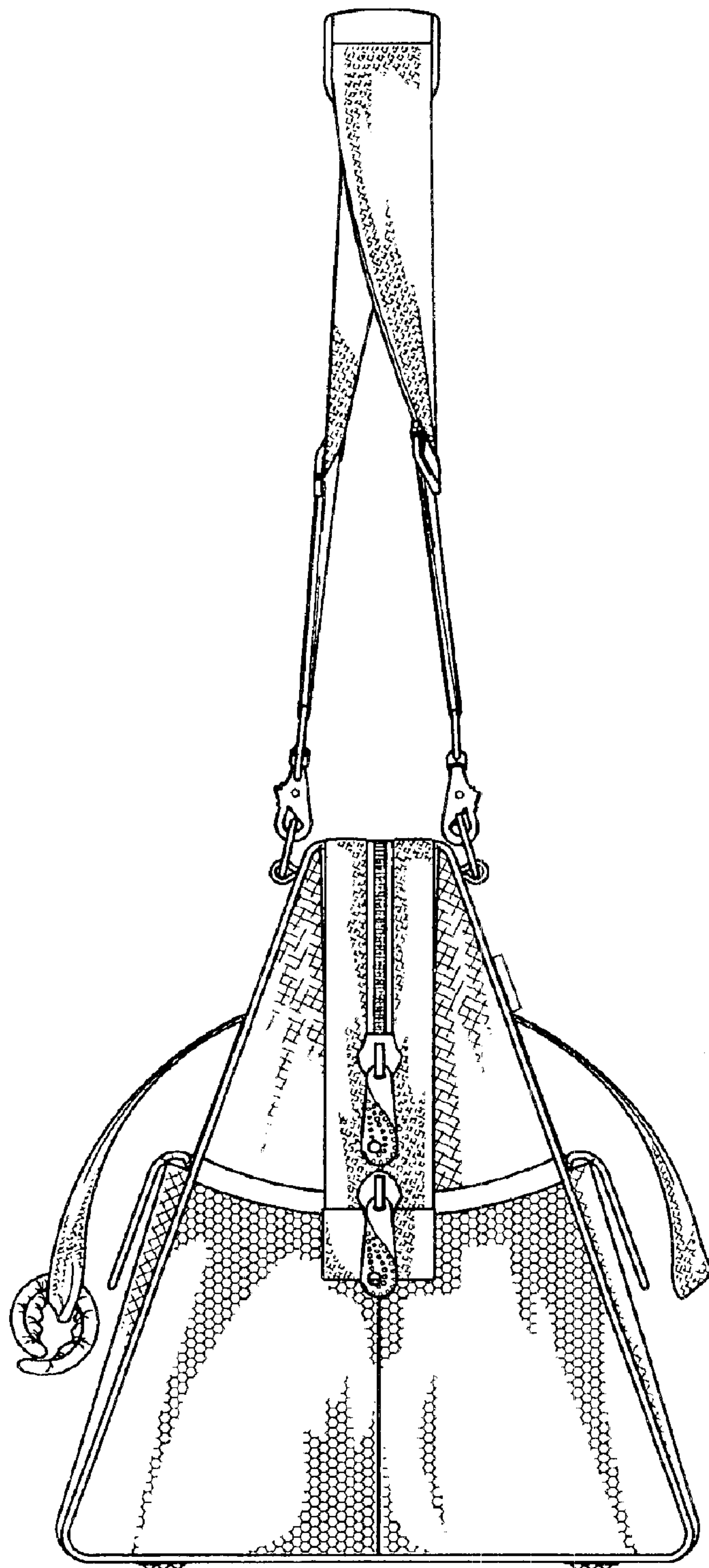


Fig. 9

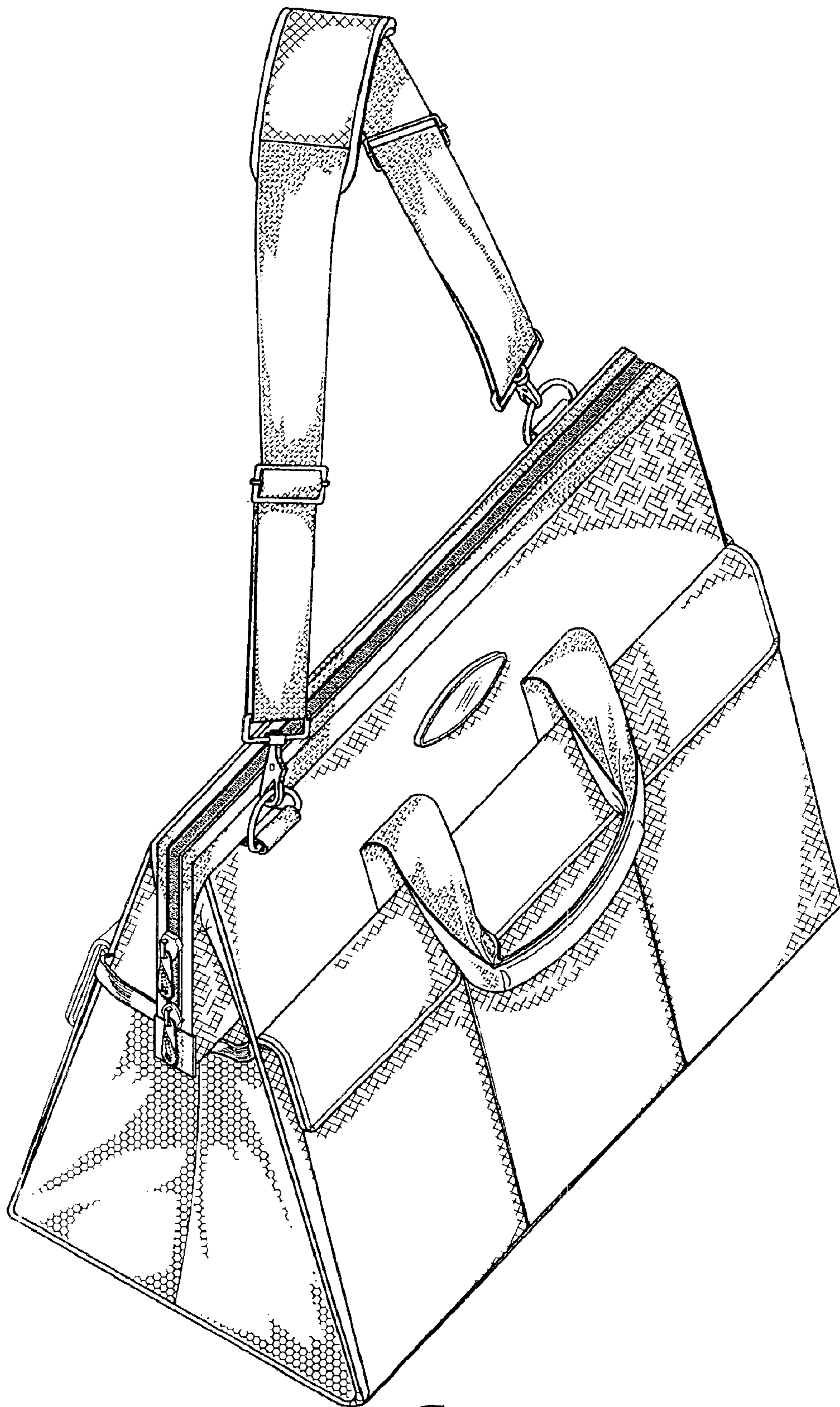


Fig. 10