



US00D502597S

(12) **United States Design Patent**
Eastman et al.

(10) **Patent No.: US D502,597 S**
(45) **Date of Patent: ** Mar. 8, 2005**

(54) **MEDIA DEPOSITORY**

(75) Inventors: **Jeffery Eastman**, North Canton, OH (US); **Sean Haney**, North Canton, OH (US); **Robert Bowser**, Copley, OH (US); **Jeffrey Enright**, Akron, OH (US); **Michael Ryan**, Canton, OH (US); **William D. Beskitt**, Canton, OH (US); **Matthew Dunlap**, North Canton, OH (US); **Dale H. Blackson**, Canton, OH (US); **H. Thomas Graef**, Bolivar, OH (US)

(73) Assignee: **Diebold Self-Service Systems a division of Diebold, Incorporated**, North Canton, OH (US)

(**) Term: **14 Years**

(21) Appl. No.: **29/193,167**

(22) Filed: **Nov. 4, 2003**

(51) **LOC (7) Cl.** **03-01**

(52) **U.S. Cl.** **D3/273; D99/28**

(58) **Field of Search** **D3/272, 273, 294, D3/295, 291, 281; D99/28; 190/45, 46, 47, 48, 49, 50**

(56) **References Cited**

U.S. PATENT DOCUMENTS

4,704,061 A * 11/1987 Peebles 414/405

4,992,648 A * 2/1991 Hutchison 235/379
5,915,802 A * 6/1999 Siler 312/216
6,042,001 A * 3/2000 Siler et al. 232/30
6,065,408 A * 5/2000 Tillim et al. 109/25
D481,850 S * 11/2003 Magee et al. D99/28
D482,056 S * 11/2003 Bergeron et al. D18/3.3
D482,177 S * 11/2003 Washington et al. D99/28
D482,840 S * 11/2003 Magee et al. D99/28

* cited by examiner

Primary Examiner—Philip S. Hyder

(74) *Attorney, Agent, or Firm*—Christopher L. Parmelee; Ralph E. Jocke; Walker & Jocke

(57) **CLAIM**

We claim the ornamental design for a media depository, as shown and described.

DESCRIPTION

FIG. 1 is a front perspective view of a media depository showing our new design.

FIG. 2 is a back perspective view thereof.

FIG. 3 is a first side elevational view thereof.

FIG. 4 is a second side elevational view thereof.

FIG. 5 is a front end elevational view thereof.

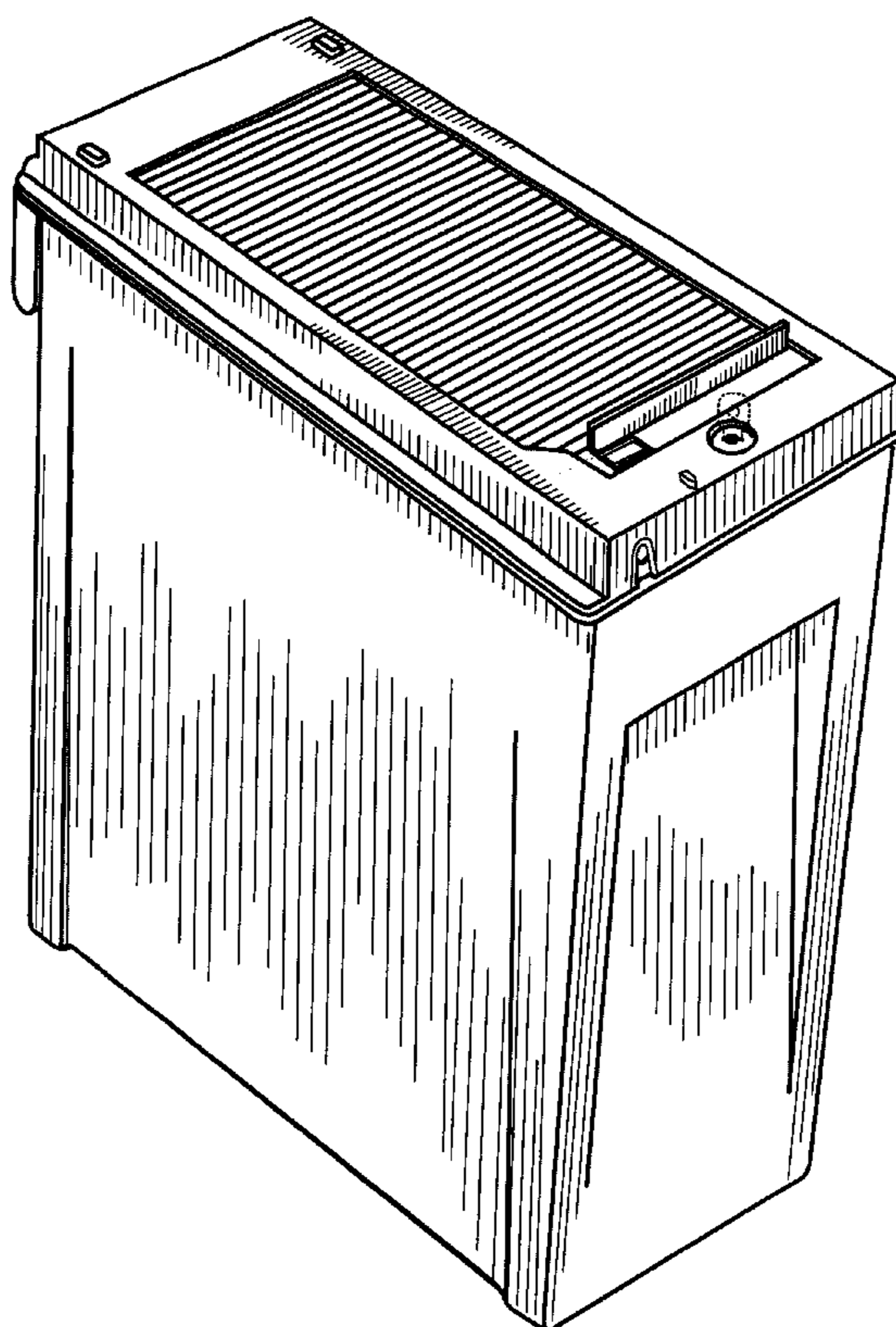
FIG. 6 is a back end elevational view thereof.

FIG. 7 is a top plan view thereof; and,

FIG. 8 is a bottom plan view thereof.

The broken line showing of the key is for illustrative purposes only and forms no part of the claimed design.

1 Claim, 7 Drawing Sheets



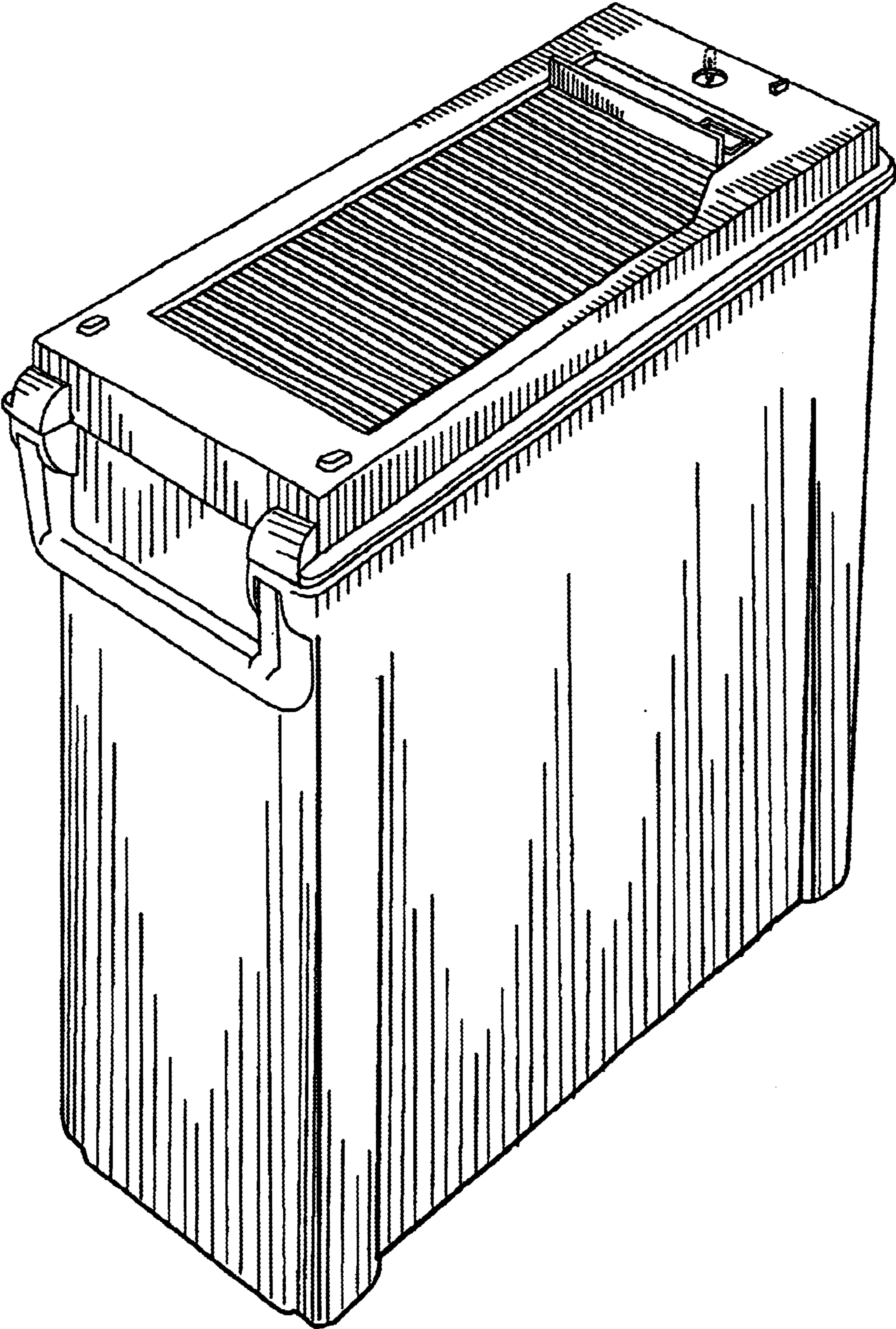


FIG. 1

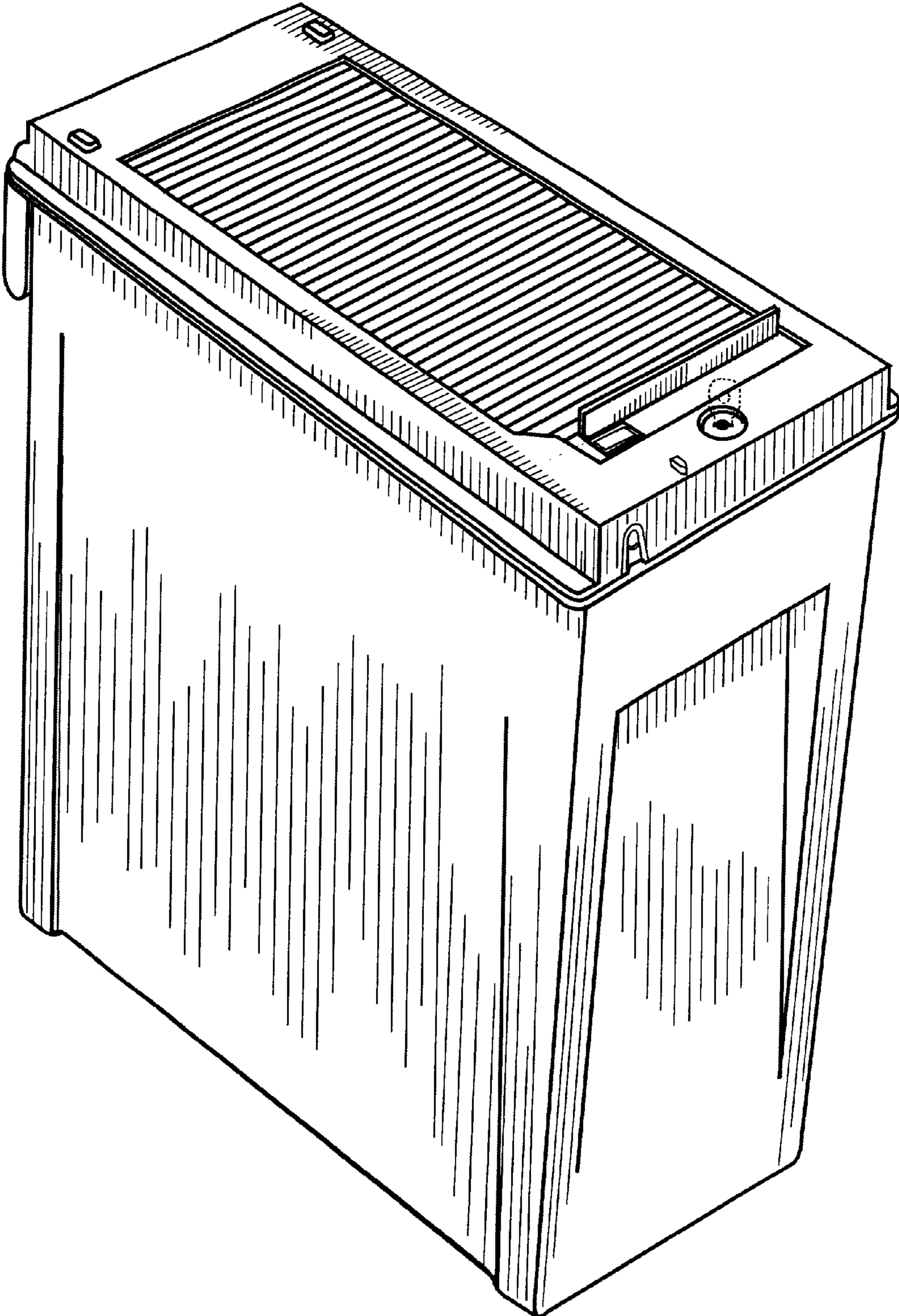


FIG. 2

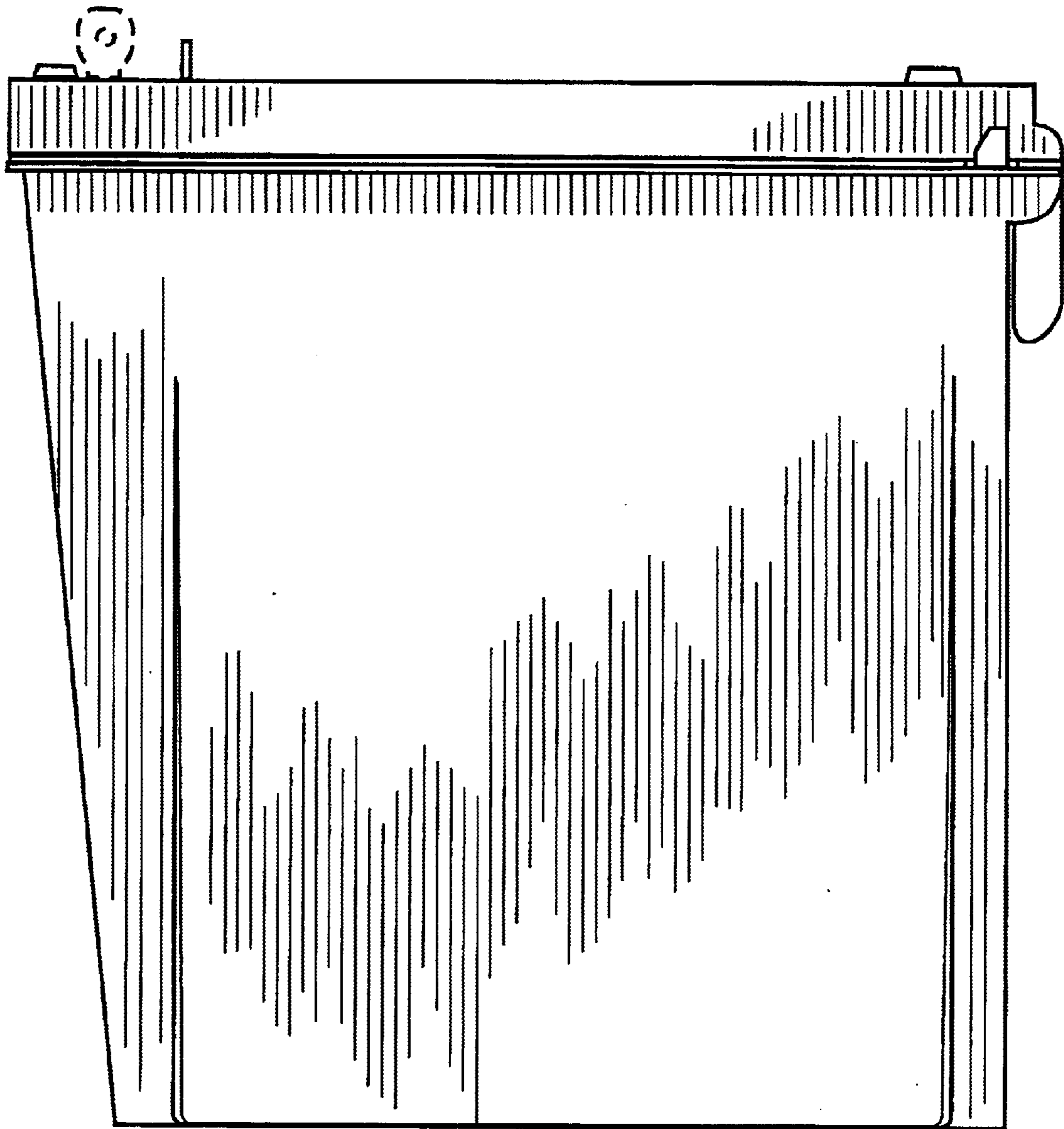


FIG. 3

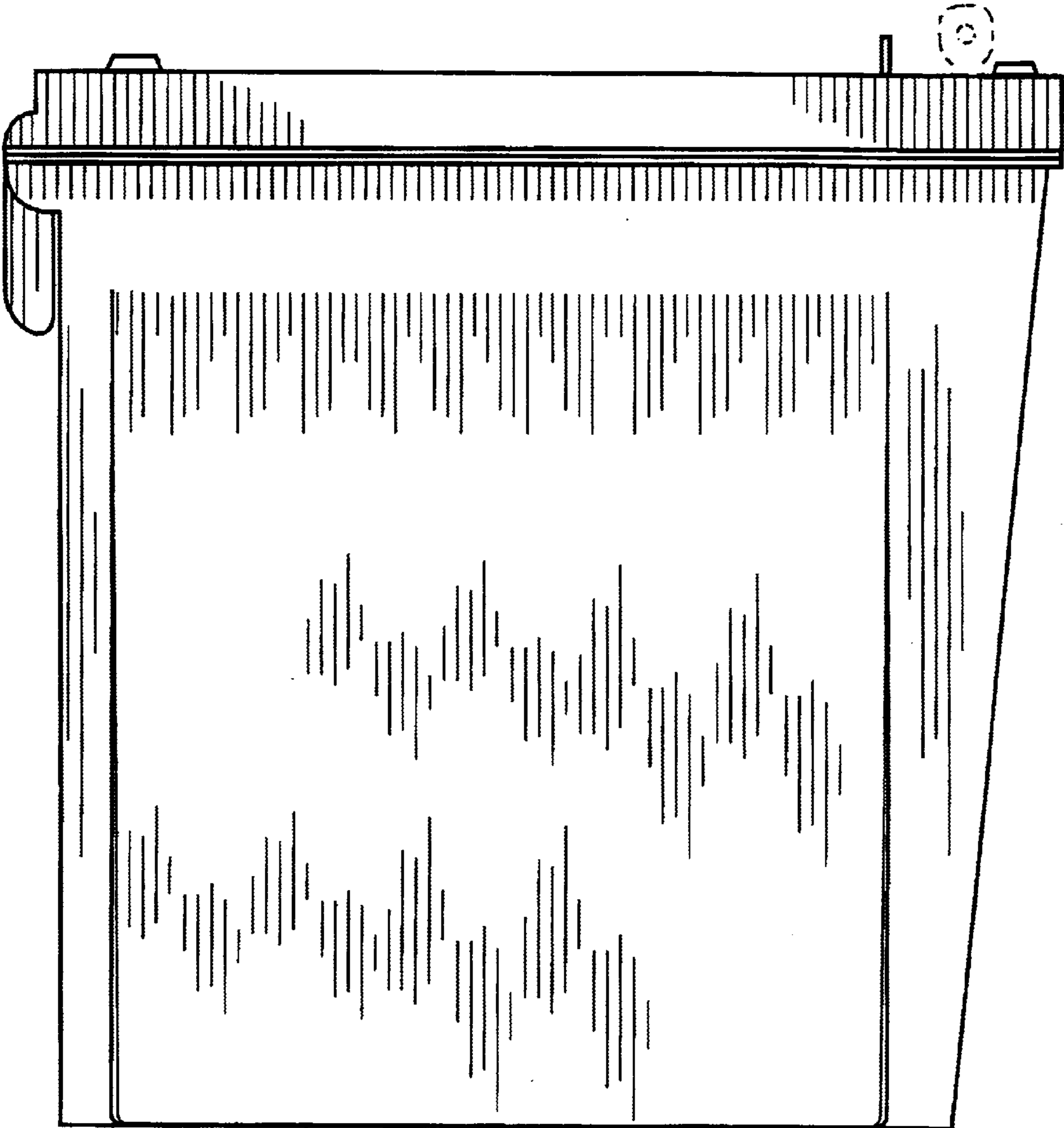


FIG. 4

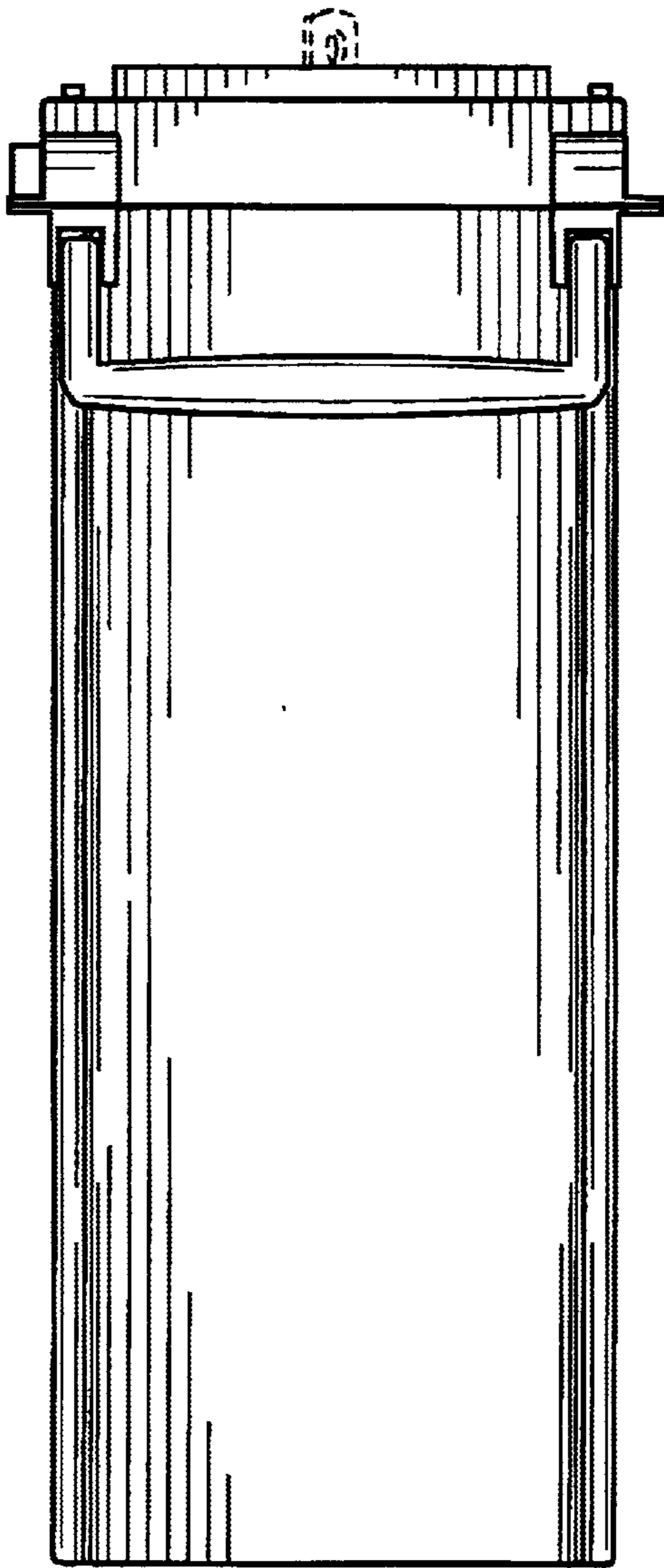


FIG. 5

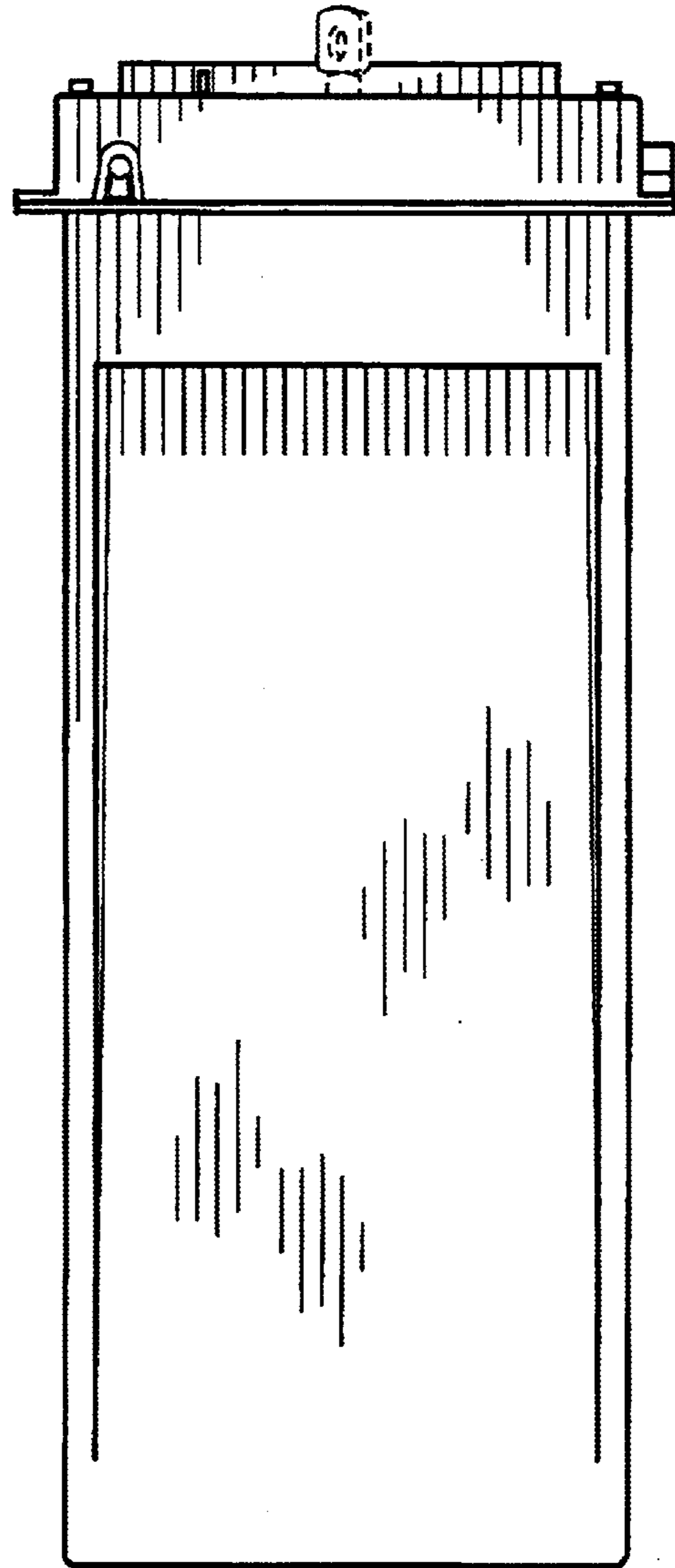


FIG. 6

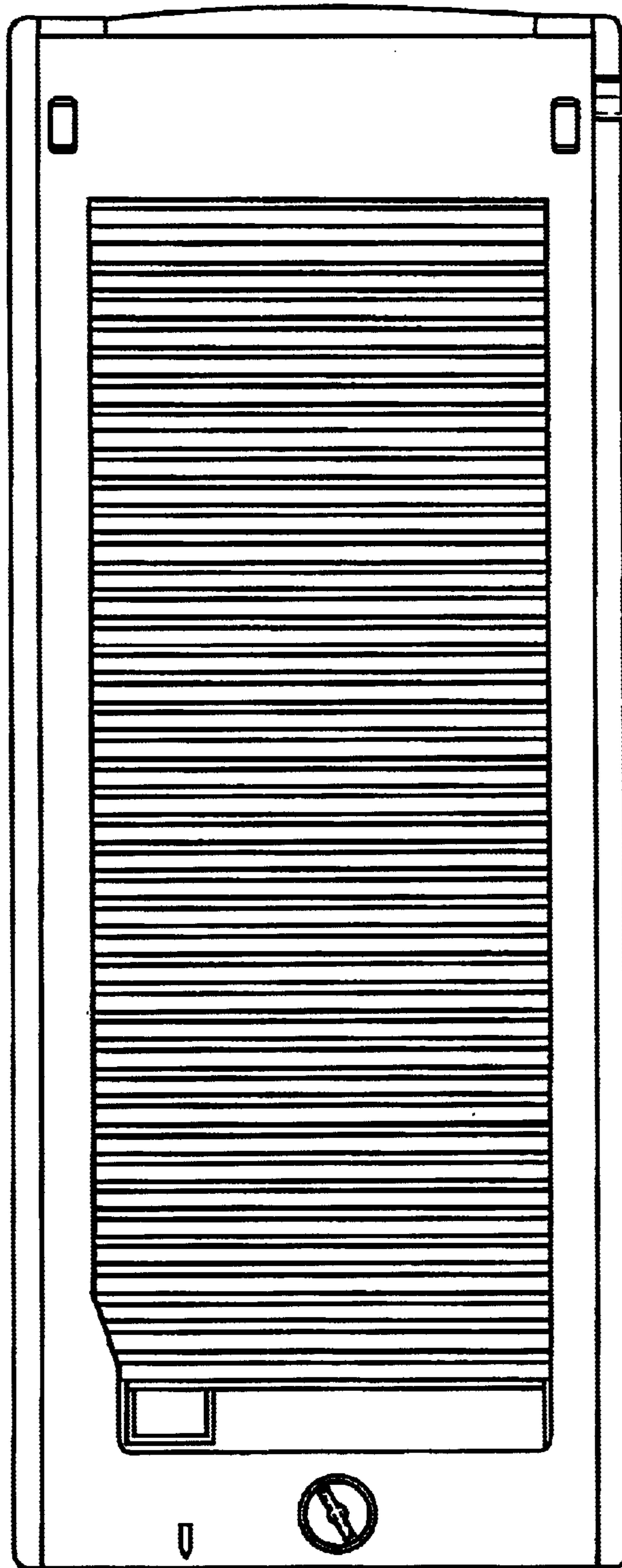


FIG. 7

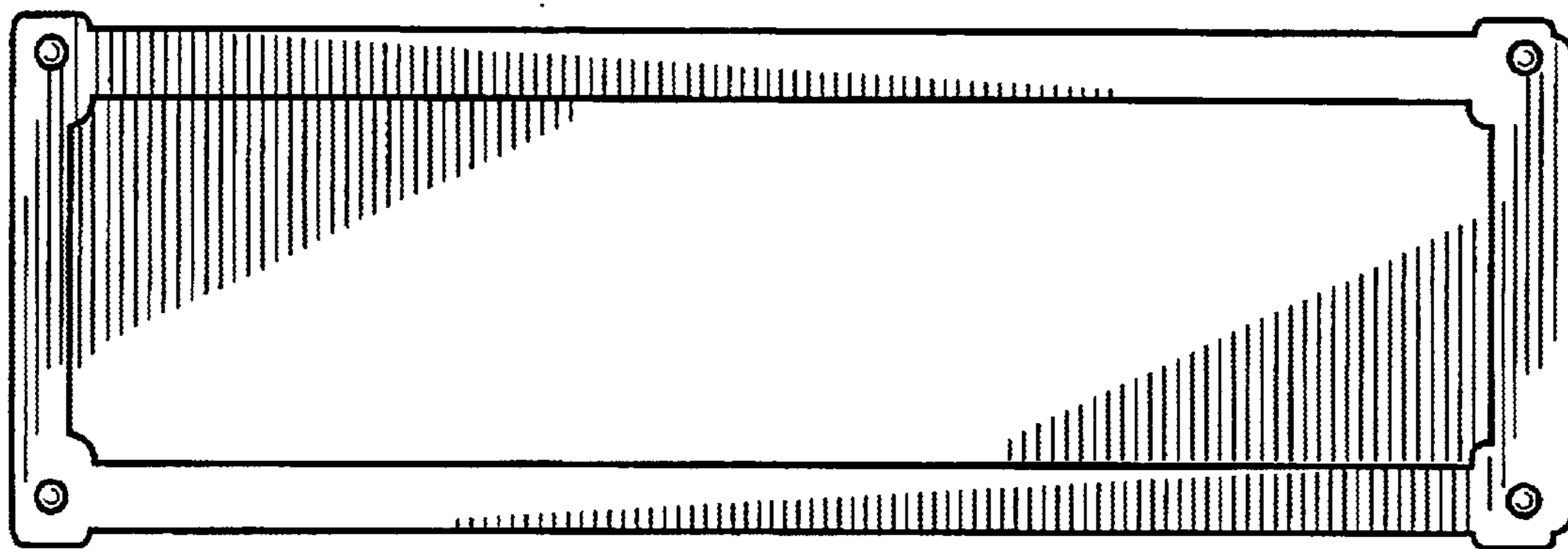


FIG. 8