

US00D502591S

(12) **United States Design Patent**  
**Hathaway**

(10) **Patent No.:** **US D502,591 S**  
(45) **Date of Patent:** **\*\* Mar. 8, 2005**

(54) **DECORATIVE BILL FOR SPORTS CAP**

D492,471 S \* 7/2004 Park ..... D2/893

(76) Inventor: **Michael Hathaway**, 491 Haverwood  
La., Apt. #2737, Dallas, TX (US) 75287

\* cited by examiner

(\*\*) Term: **14 Years**

*Primary Examiner*—Mimosa De  
(74) *Attorney, Agent, or Firm*—David W. Carstens;  
Carstens & Cahoon, LLP

(21) Appl. No.: **29/187,558**

(57) **CLAIM**

(22) Filed: **Aug. 1, 2003**

The ornamental design for a decorative bill for sports cap, as shown and described.

(51) **LOC (7) Cl.** ..... **02-03**

(52) **U.S. Cl.** ..... **D2/893; D2/869; D2/872**

(58) **Field of Search** ..... D2/865, 866, 868,  
D2/869, 871, 872, 874–877, 879–882, 884,  
891, 893, 894; 2/10, 12, 171, 175.1, 181,  
195.1, 195.2, 195.3, 195.7, 200.3, 209.12,  
209.13; D21/781; D29/104–106; 446/26,  
27

**DESCRIPTION**

FIG. 1 is a perspective view of the decorative bill for sports cap with a cap of the present invention;  
FIG. 2 is another perspective view of the decorative bill for sports cap with a visor of the present invention shown in another environment;  
FIG. 3 is a slightly reduced top view of the decorative bill for sports cap of FIG. 1;  
FIG. 4 is a slightly reduced bottom view of the decorative bill for sports cap of FIG. 1;  
FIG. 5 is a slightly reduced right side view of the decorative bill for sports cap of FIG. 1; and,  
FIG. 6 is a front view of the decorative bill for sports cap of FIG. 1.

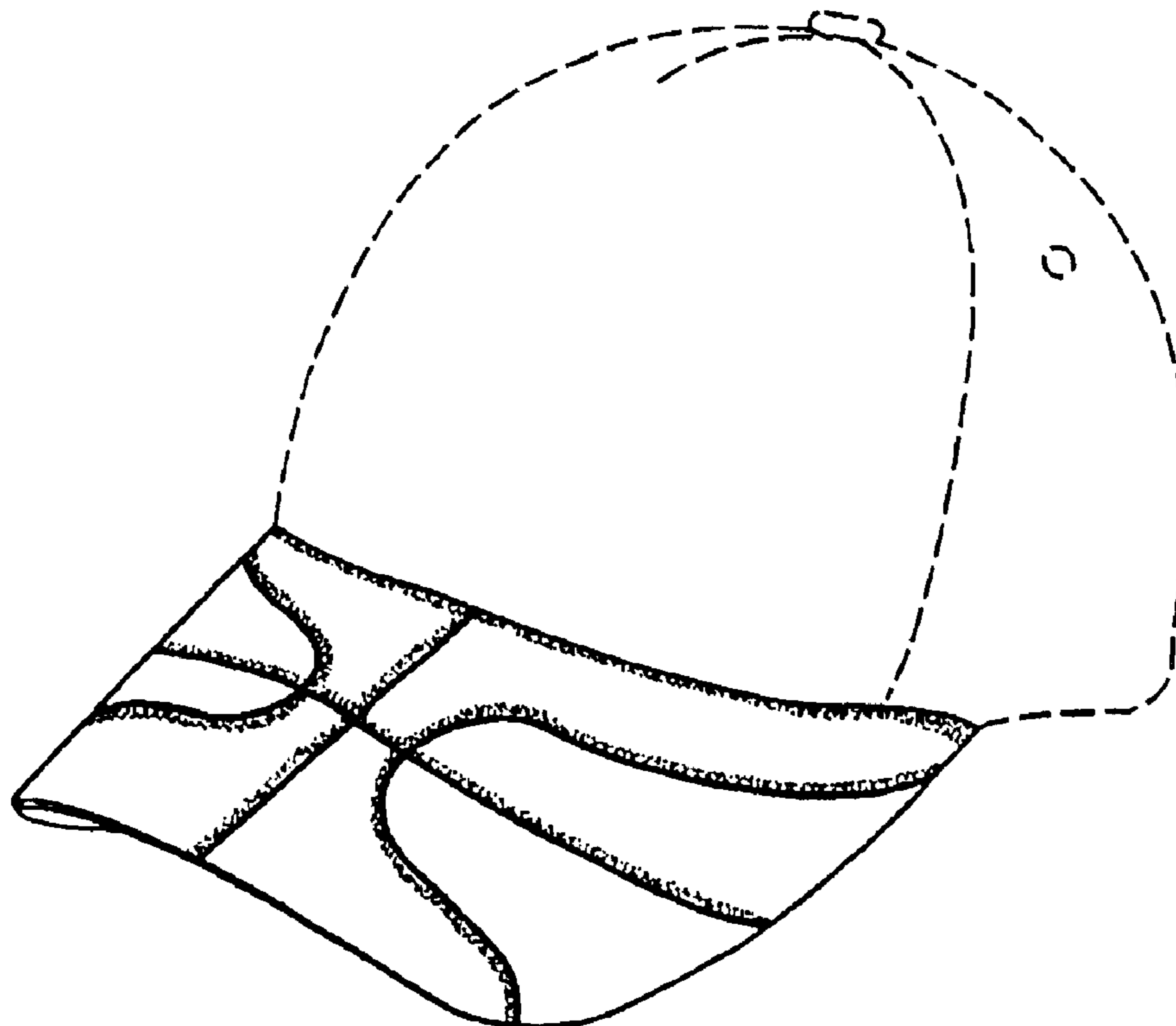
The broken lines shown in the drawings are for illustrative purposes only and form no part of the claimed design.

(56) **References Cited**

**U.S. PATENT DOCUMENTS**

- D300,081 S \* 3/1989 Proctor ..... D2/893
- D300,386 S \* 3/1989 Proctor ..... D2/893
- D313,496 S \* 1/1991 Pesta ..... D2/869
- D364,494 S \* 11/1995 Sisera et al. .... D2/869
- 6,158,053 A \* 12/2000 Wang ..... 2/175.1
- D453,608 S \* 2/2002 Park ..... D2/882
- D453,609 S \* 2/2002 Sisera et al. .... D2/869
- D480,539 S \* 10/2003 Yan ..... D2/882

**1 Claim, 2 Drawing Sheets**



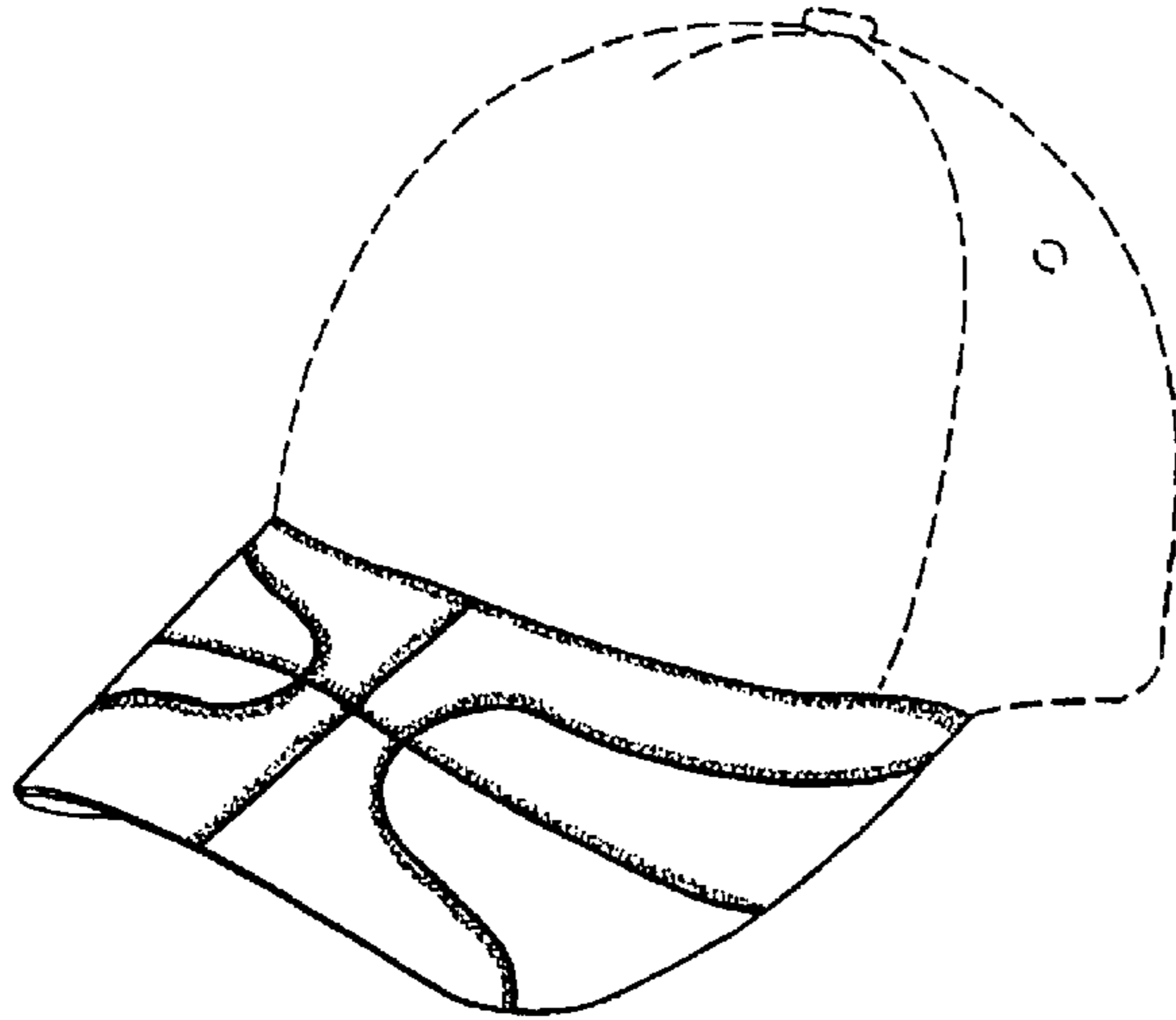


FIG. 1

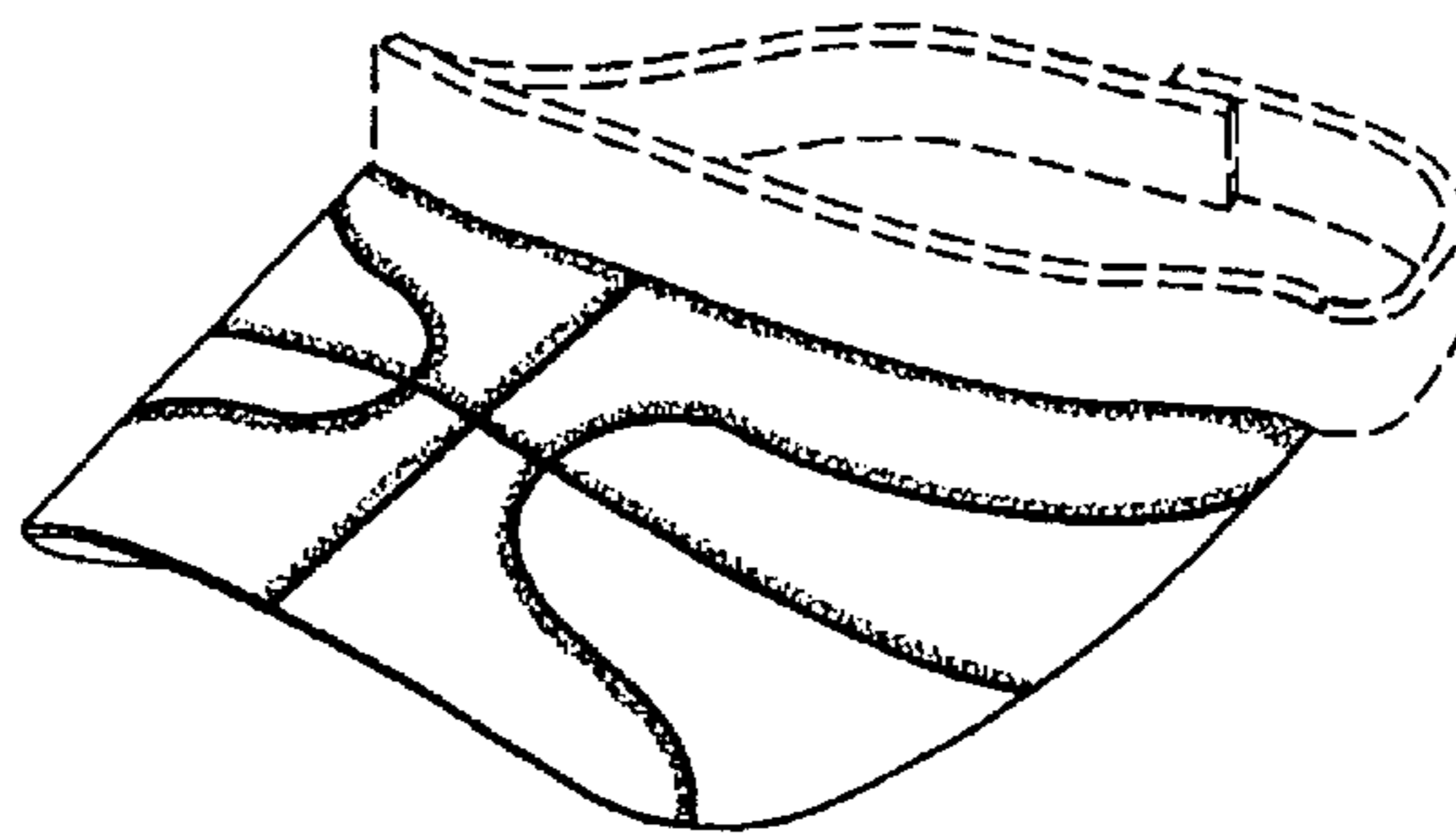


FIG. 2

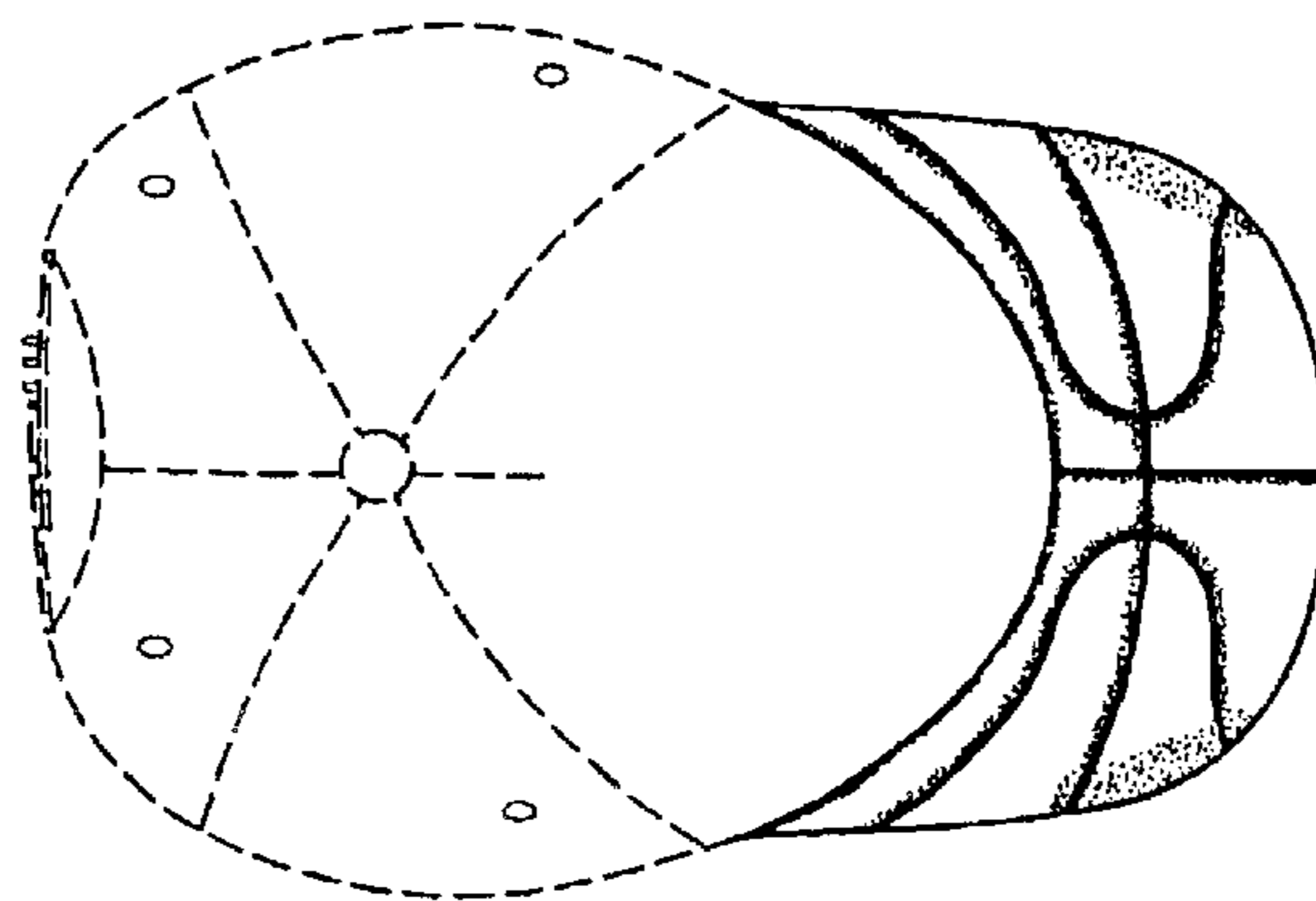


FIG. 3

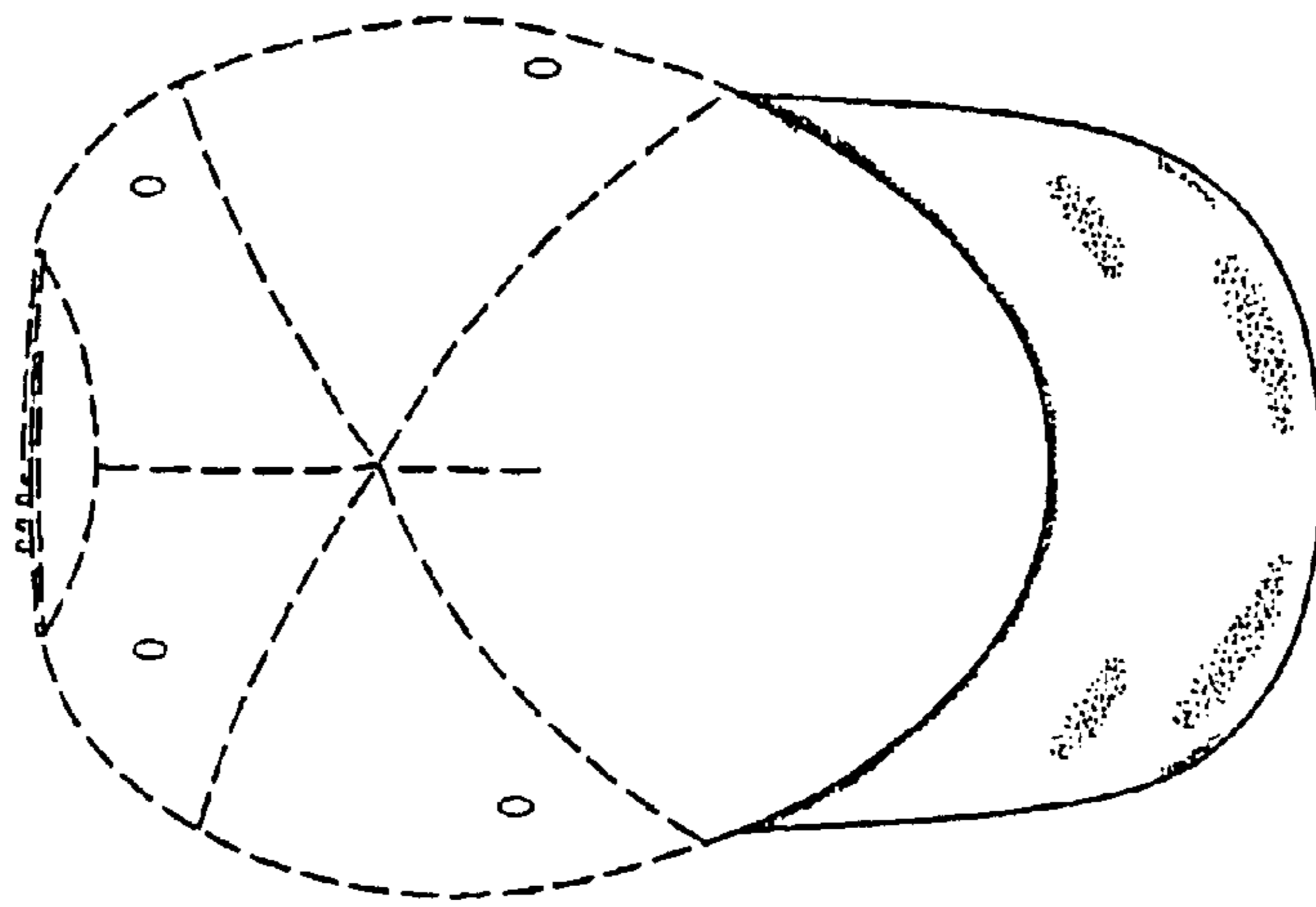


FIG. 4

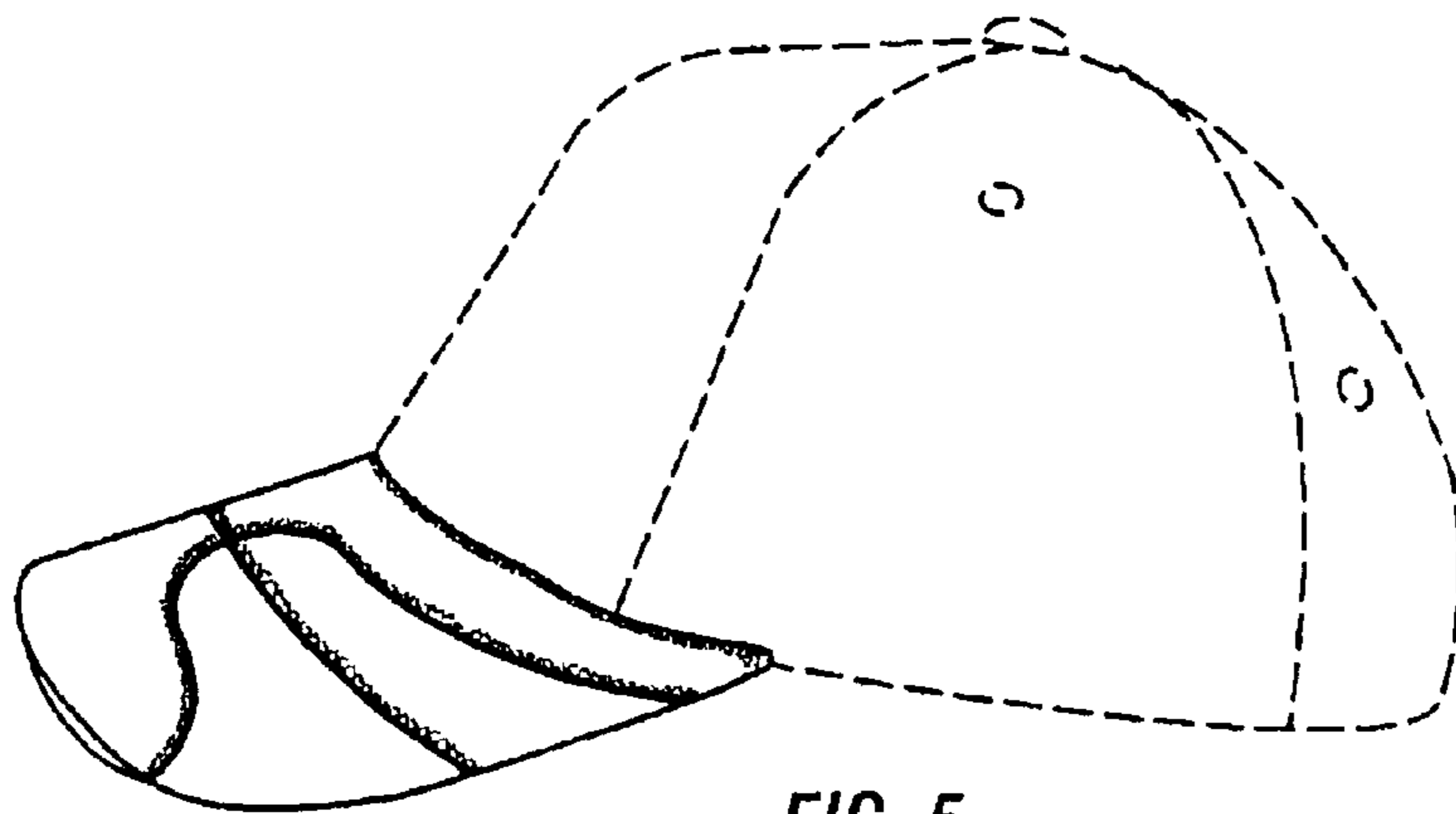


FIG. 5

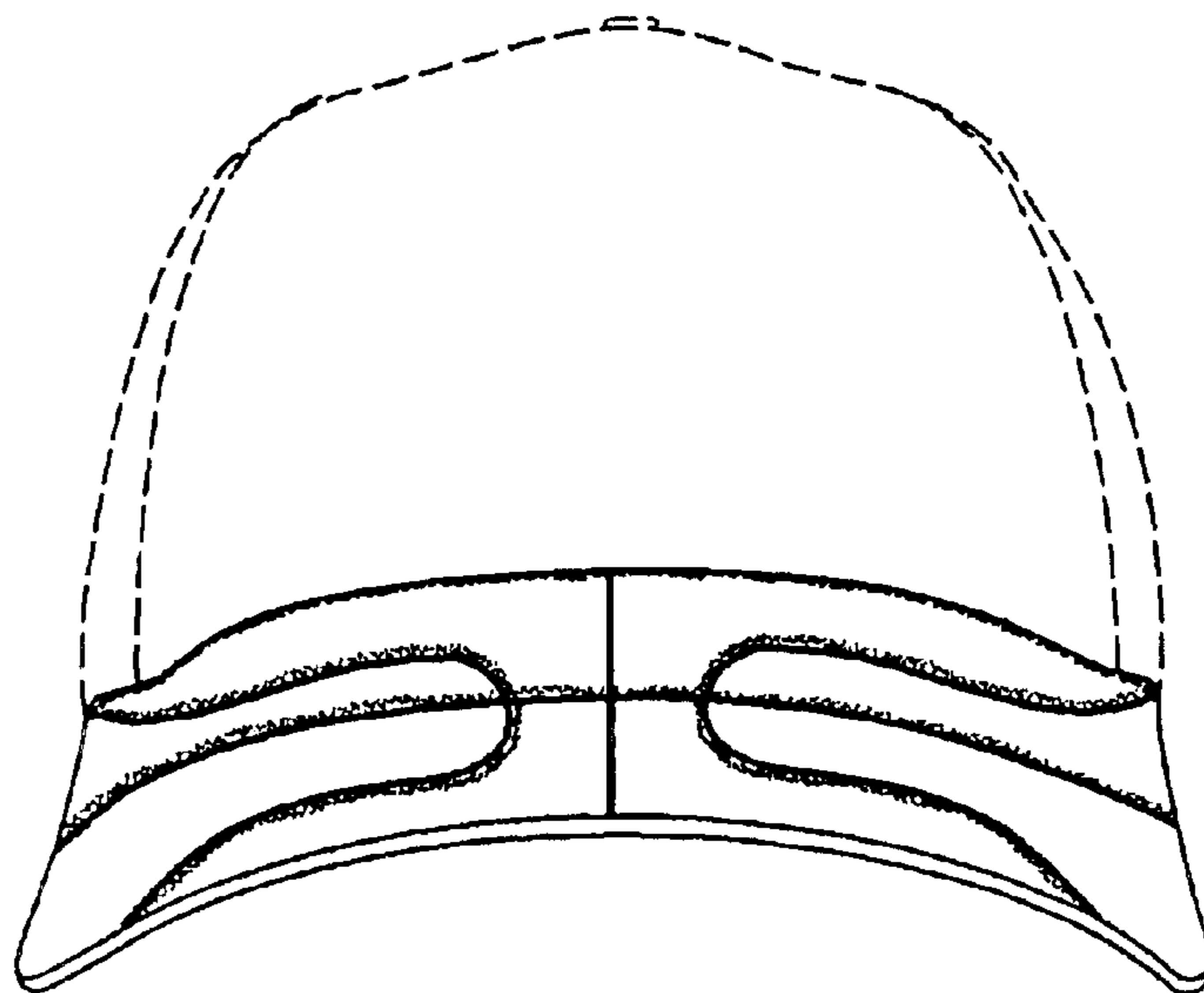


FIG. 6