

US00D502590S

(12) **United States Design Patent**  
**Swain**

(10) **Patent No.:** **US D502,590 S**  
(45) **Date of Patent:** **\*\* Mar. 8, 2005**

- (54) **ADJUSTABLE HEAD GARMENT**
- (76) **Inventor:** **Marvin Swain**, 10328 Boca Entrada Blvd. #230, Boca Raton, FL (US) 33428
- (\*\*) **Term:** **14 Years**
- (21) **Appl. No.:** **29/204,010**
- (22) **Filed:** **Apr. 23, 2004**
- (51) **LOC (7) Cl.** ..... **02-03**
- (52) **U.S. Cl.** ..... **D2/880; D2/878; D2/889**
- (58) **Field of Search** ..... D2/865, 866, 870, D2/874, 878, 880, 881, 884, 888, 889, 890, 891, 894; D29/105-107, 110; 2/10, 12, 171, 172, 181, 195.1, 195.2, 195.7, 195.8, 200.1, 202, 204, 205, 207, 209.11, 209.13, 410

- 5,594,956 A 1/1997 Barrientos
- 5,608,914 A 3/1997 Keesler
- 5,906,006 A 5/1999 Castro, Jr.
- 6,014,776 A 1/2000 DeVinzio
- 6,247,181 B1 6/2001 Hirsch et al.
- D477,706 S \* 7/2003 Kobayashi ..... D2/878
- D482,848 S \* 12/2003 McKinney et al. .... D2/880
- D483,928 S \* 12/2003 Mansell et al. .... D2/889

\* cited by examiner

*Primary Examiner*—Mimosa De

(57) **CLAIM**

The ornamental design for an adjustable head garment, as shown and described.

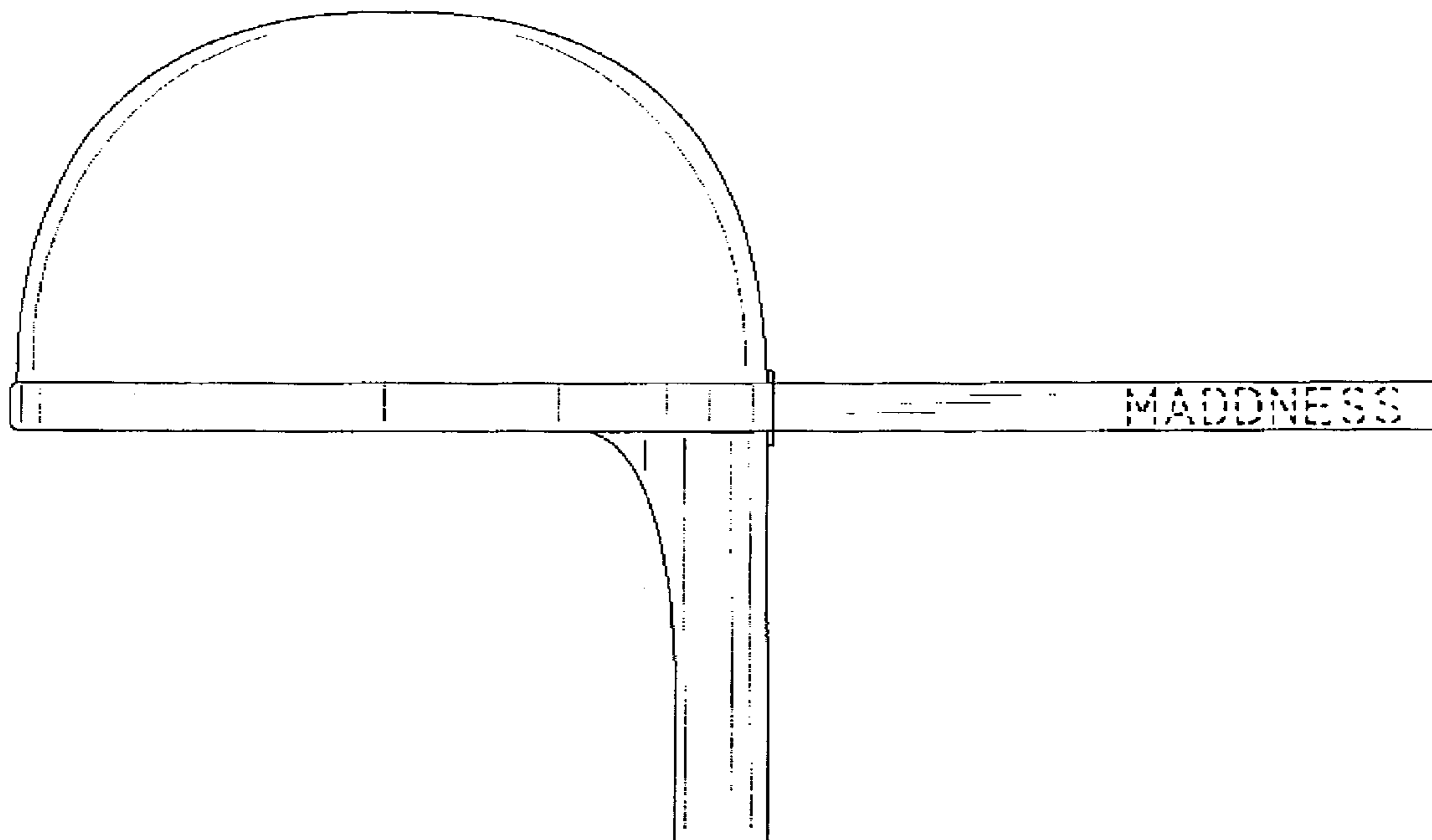
**DESCRIPTION**

FIG. 1 is a front elevational view of an adjustable head garment showing my new design;  
 FIG. 2 is a rear elevational view thereof;  
 FIG. 3 is a left side elevational view thereof;  
 FIG. 4 is a right side elevational view thereof;  
 FIG. 5 is a top plan view thereof; and,  
 FIG. 6 is a bottom plan view thereof.

The indicia shown on the figures are for illustrative purposes only and are hereby disclaimed as forming no part of Applicant's claimed invention.

**1 Claim, 5 Drawing Sheets**

- (56) **References Cited**
- U.S. PATENT DOCUMENTS**
- D118,441 S 1/1940 Rains
- 2,312,606 A \* 3/1943 Turchin ..... 2/195.5
- D199,931 S \* 12/1964 Kline ..... D29/110
- 4,821,341 A \* 4/1989 Baptiste ..... 2/10
- 5,046,195 A \* 9/1991 Koritan ..... 2/172
- 5,058,211 A 10/1991 Hanks
- 5,461,727 A 10/1995 Braswell-Moore



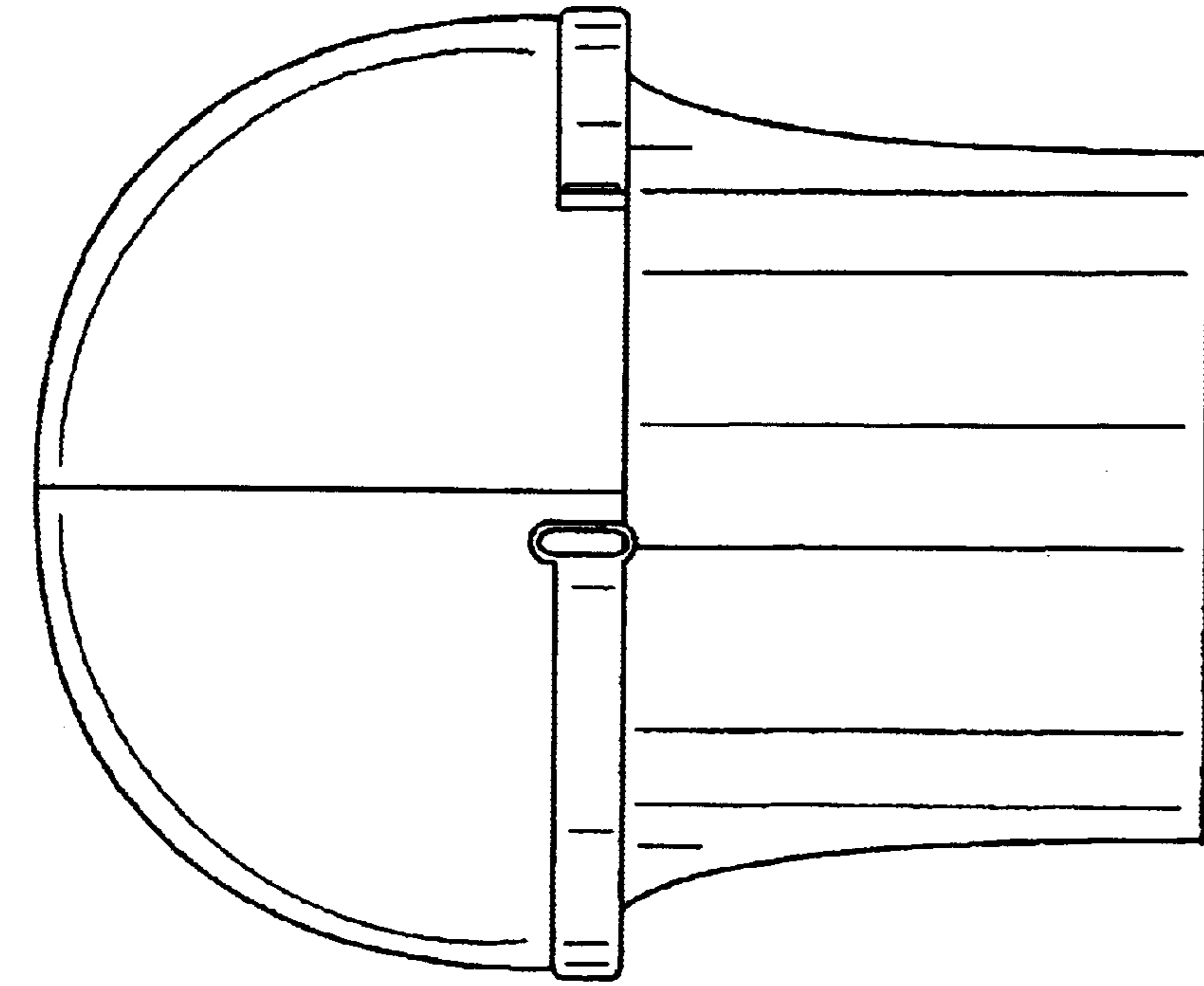


FIG. 2

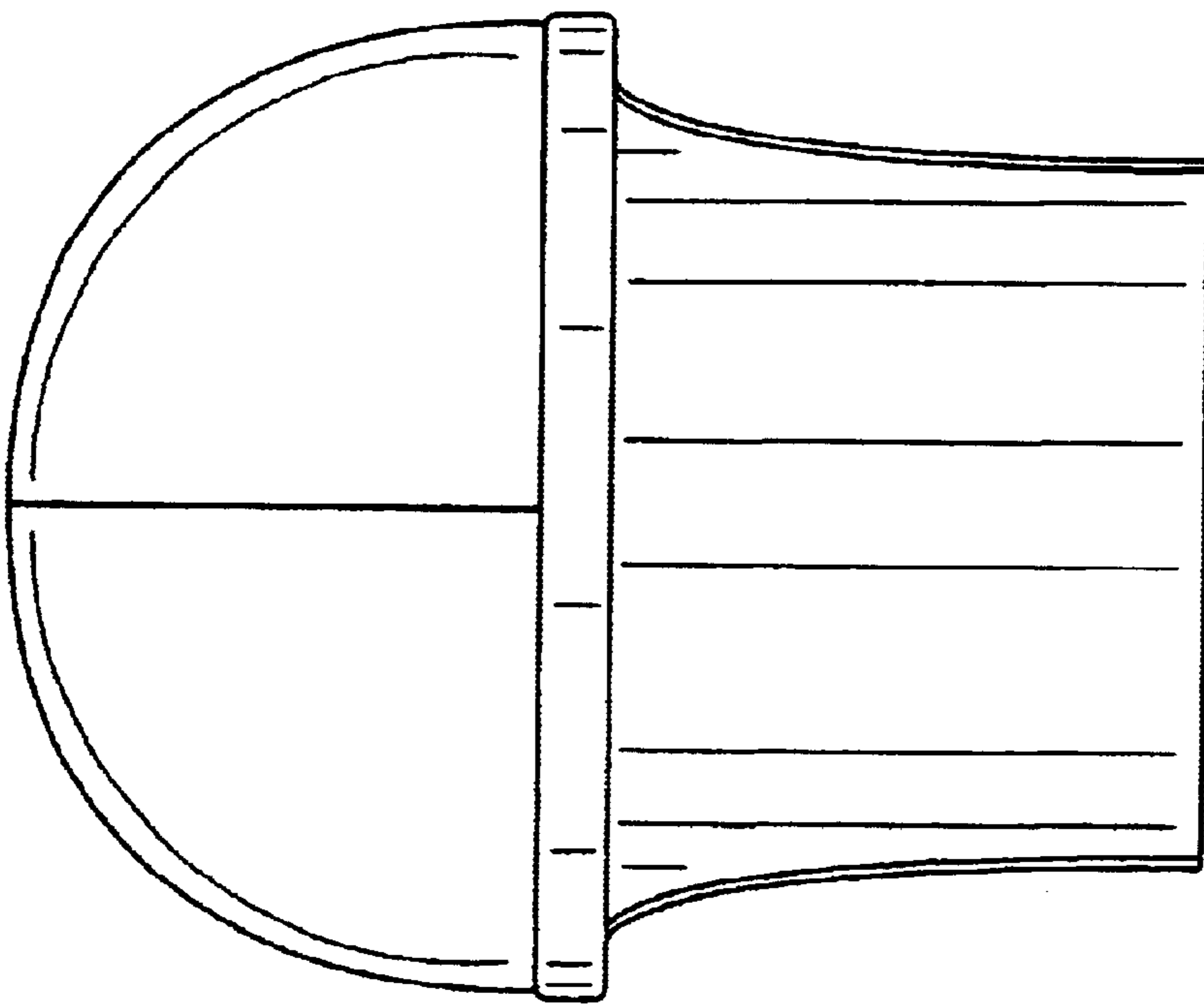


FIG. 1

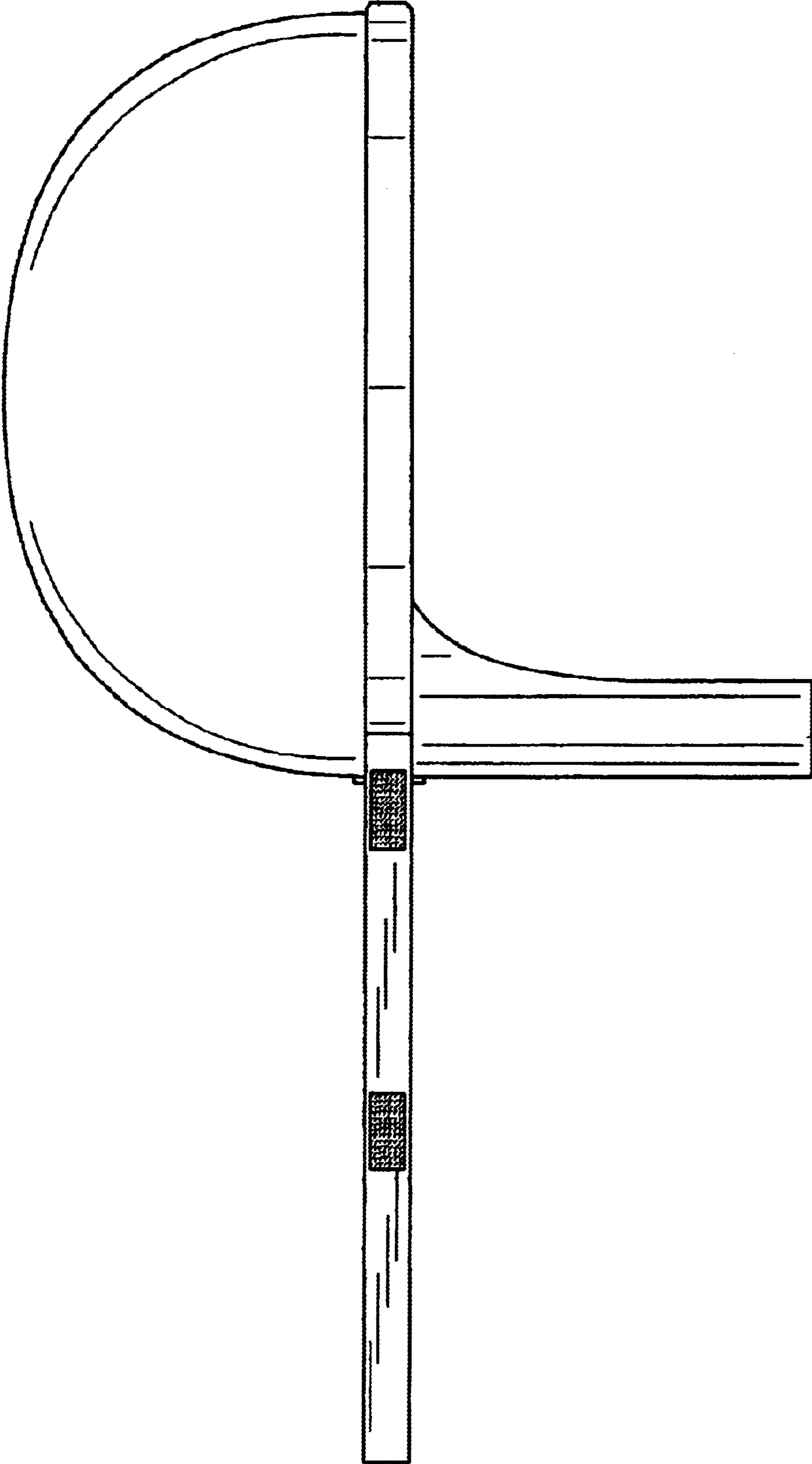


FIG. 3

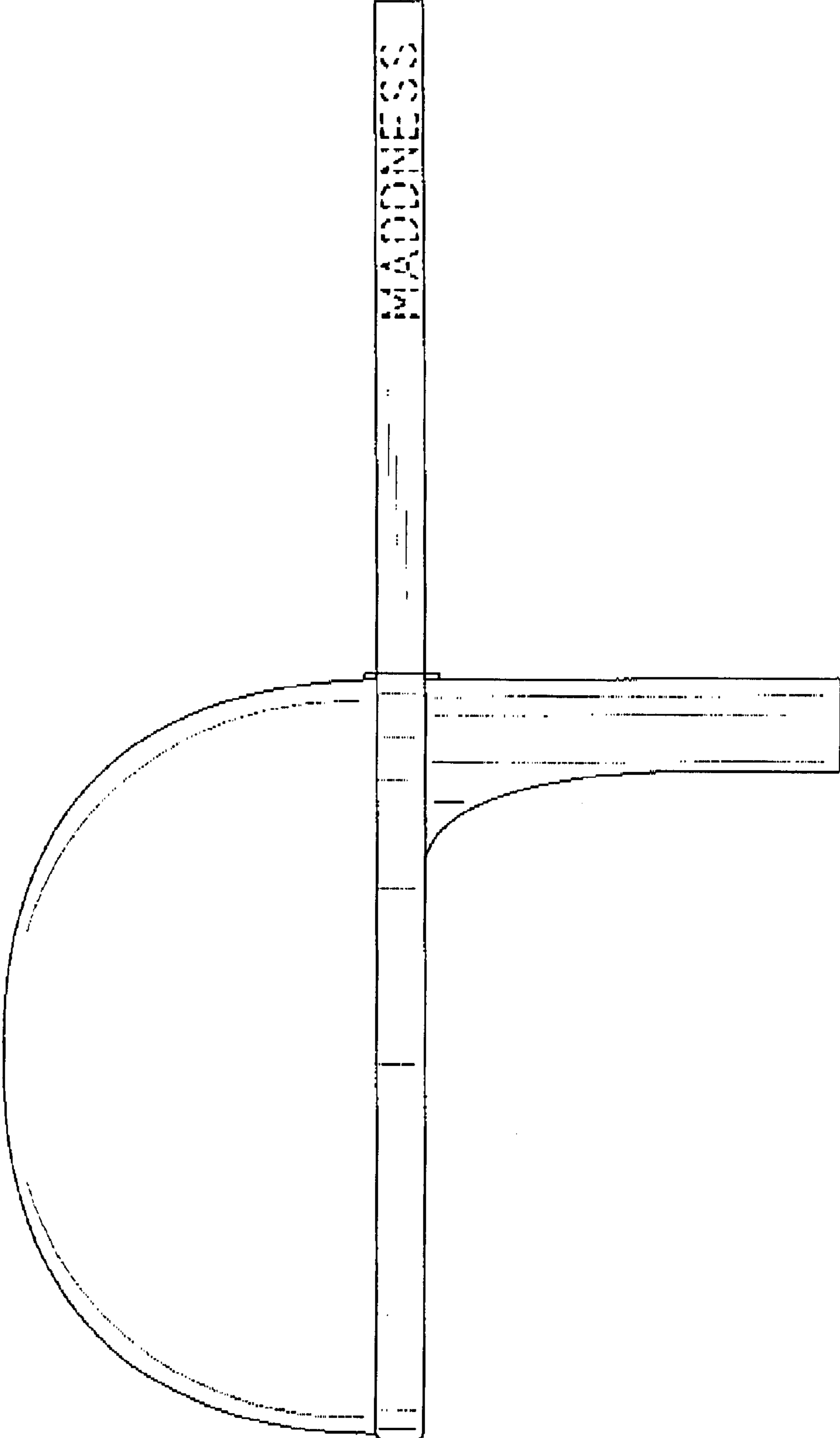


FIG. 4

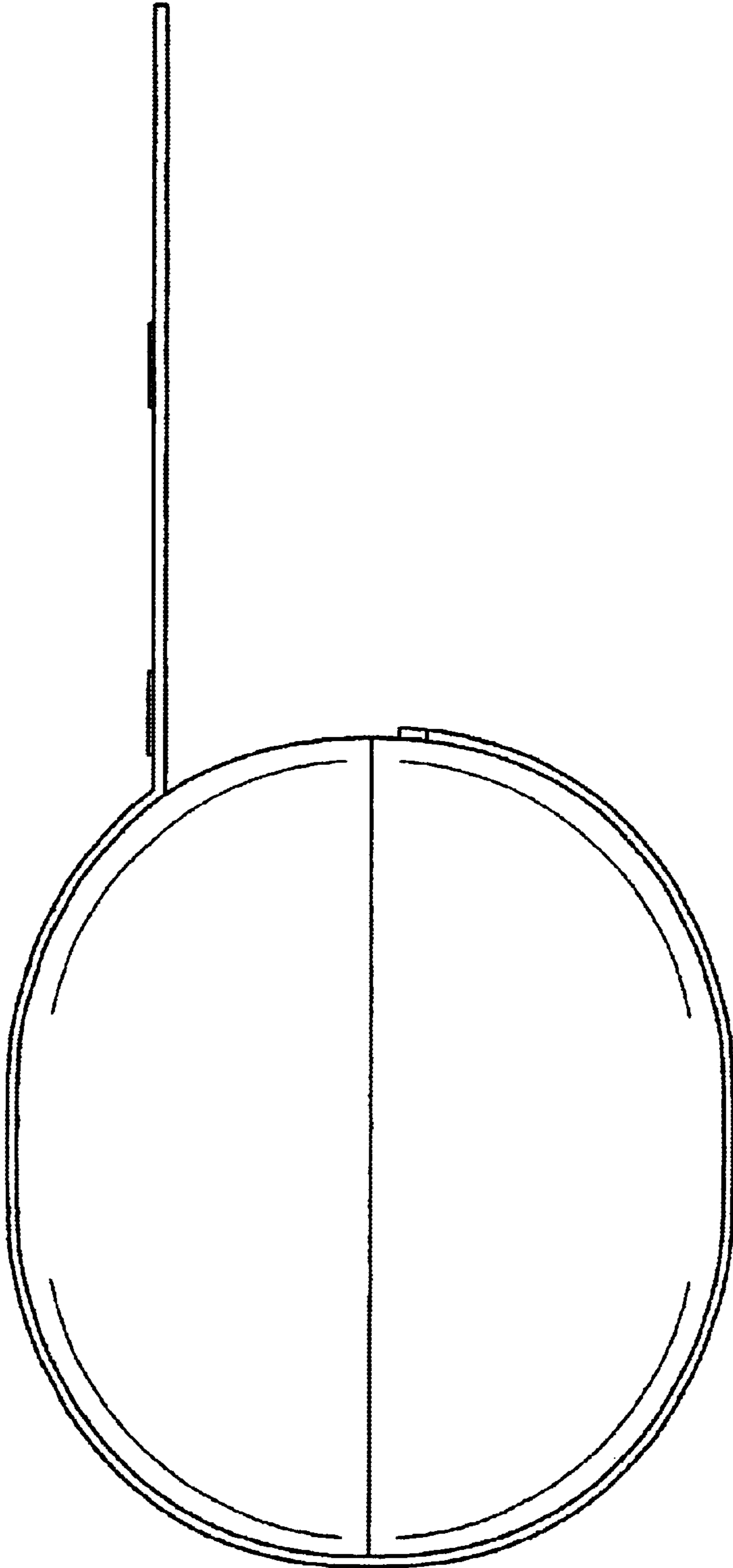


FIG. 5

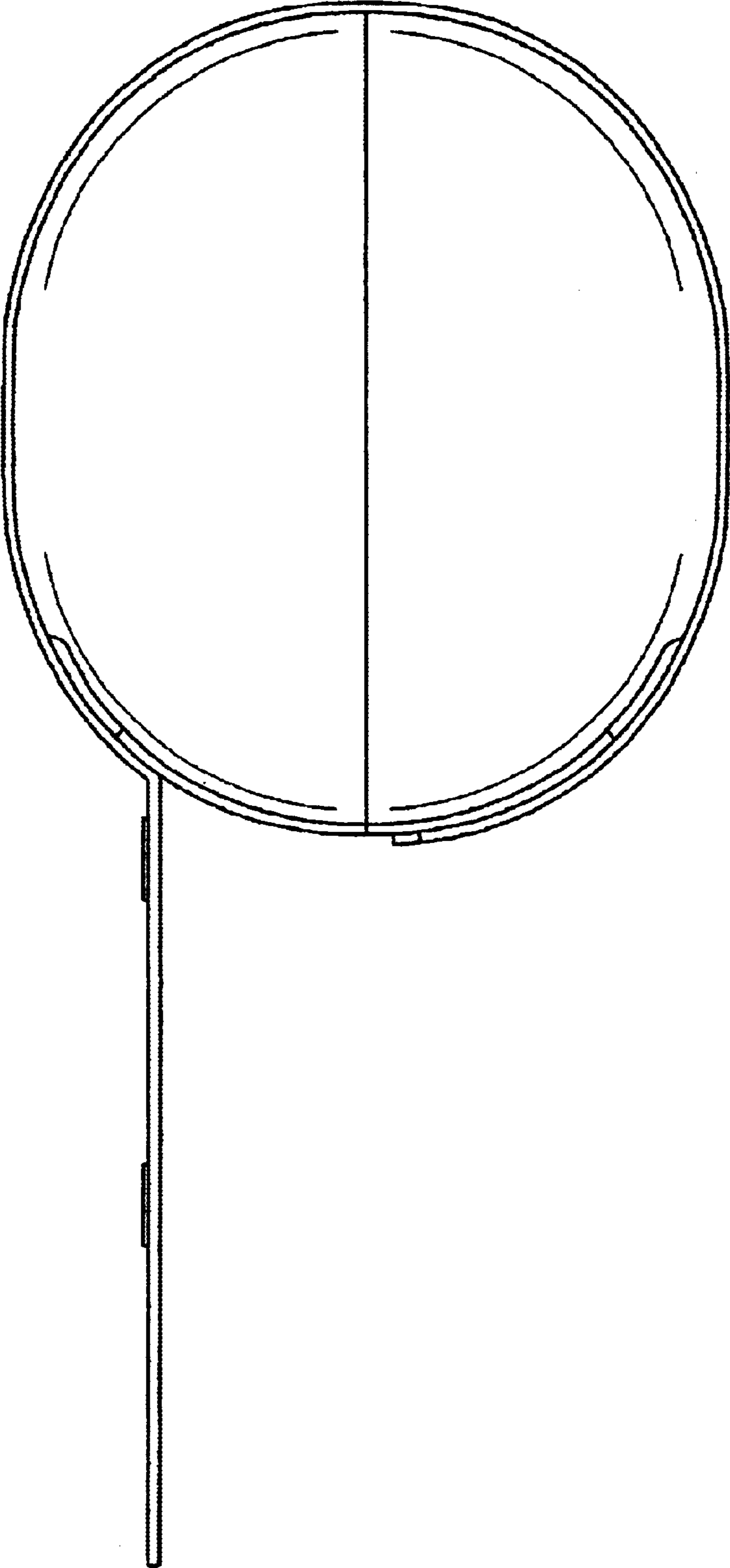


FIG. 6