

US00D502589S

(12) **United States Design Patent**
Lee

(10) **Patent No.:** **US D502,589 S**
(45) **Date of Patent:** **** Mar. 8, 2005**

(54) **SUN VISOR**

(75) **Inventor:** **Kyu Nam Lee**, 1733 S. Los Angeles St., Los Angeles, CA (US) 90015

(73) **Assignee:** **Kyu Nam Lee**, Rancho Palos Verdes, CA (US)

(**) **Term:** **14 Years**

(21) **Appl. No.:** **29/149,683**

(22) **Filed:** **Oct. 16, 2001**

(51) **LOC (7) Cl.** **02-03**

(52) **U.S. Cl.** **D2/876**

(58) **Field of Search** D2/865, 868, 869, D2/871, 872, 873, 875, 876, 879, 882, 893, 894; 2/171, 12, 174, 181, 195.1, 195.2; D29/100, 109

(56) **References Cited**

U.S. PATENT DOCUMENTS

| | | | | | |
|-------------|---|---------|----------|-------|---------|
| D64,441 S | * | 4/1924 | Cavel | | D2/876 |
| 1,599,096 A | * | 9/1926 | Marks | | 2/12 |
| 1,651,562 A | * | 12/1927 | Sutton | | 2/12 |
| 2,769,308 A | * | 11/1956 | Krasno | | 2/171.2 |
| 4,606,077 A | * | 8/1986 | Phillips | | 2/12 |

| | | | | | |
|--------------|---|---------|---------------|-------|---------|
| 4,856,116 A | * | 8/1989 | Sullivan | | 2/181 |
| D336,763 S | * | 6/1993 | Oehlschlaeger | | D2/876 |
| D415,605 S | * | 10/1999 | Ae | | D2/876 |
| 5,996,116 A | * | 12/1999 | Tate | | 2/12 |
| 6,199,213 B1 | * | 3/2001 | Whang | | 2/181 |
| D453,610 S | * | 2/2002 | Lee | | D2/882 |
| 6,408,443 B1 | * | 6/2002 | Park | | 2/195.1 |

* cited by examiner

Primary Examiner—Doris V. Coles
Assistant Examiner—Mimosa De

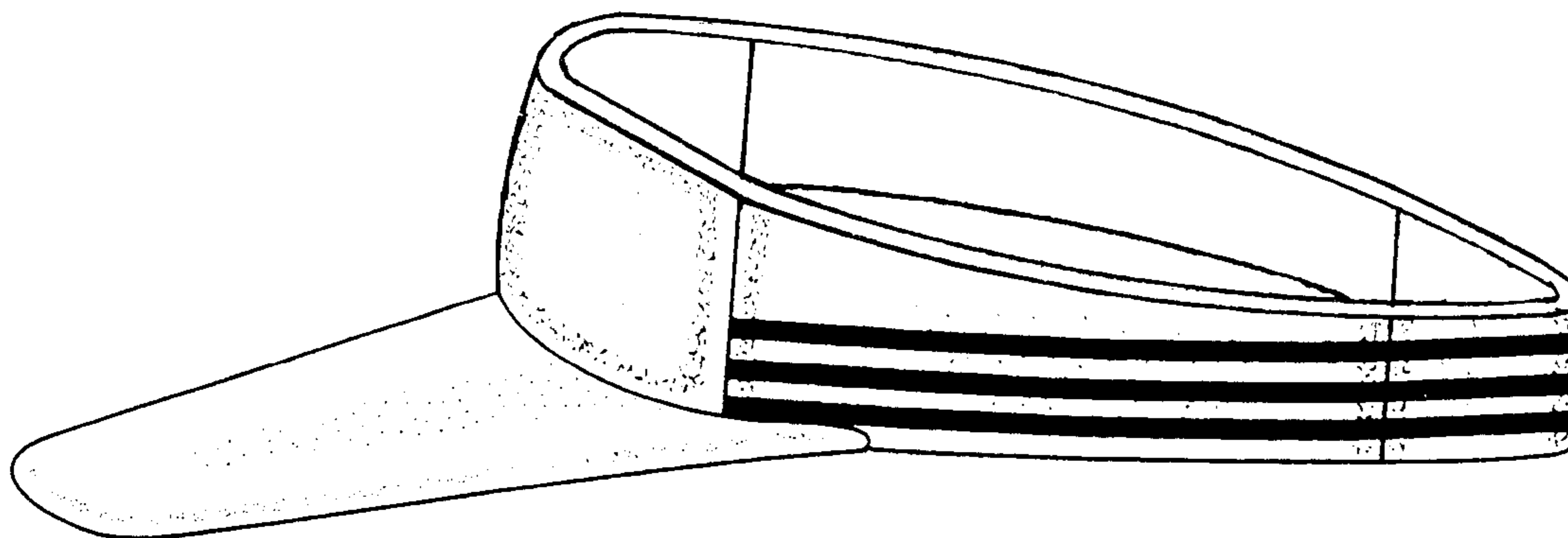
(57) **CLAIM**

The ornamental design for the sun visor, as shown and described.

DESCRIPTION

FIG. 1 is a right elevational view of the sun visor, showing my new design, with a left elevational view being identical to that shown;
FIG. 2 is a rear elevational view of FIG. 1;
FIG. 3 is a top plan view thereof;
FIG. 4 is a bottom plan view thereof;
FIG. 5 is a front elevational view thereof; and,
FIG. 6 is a perspective view thereof.

1 Claim, 3 Drawing Sheets



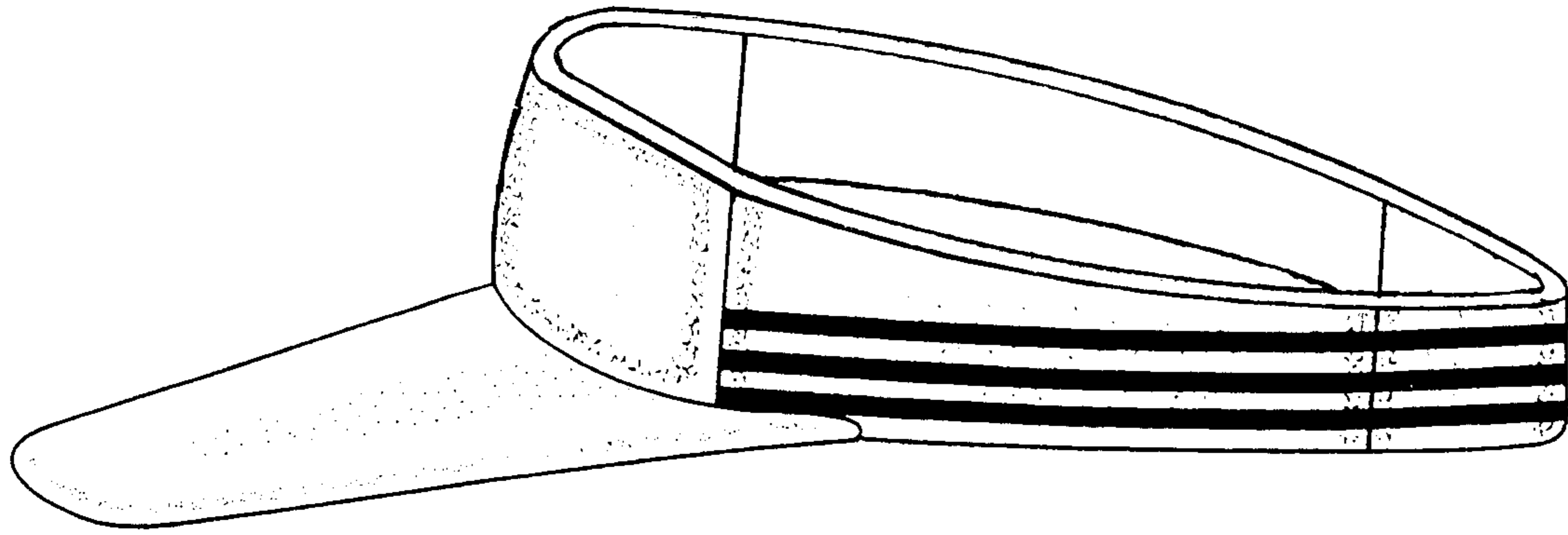


FIG 1

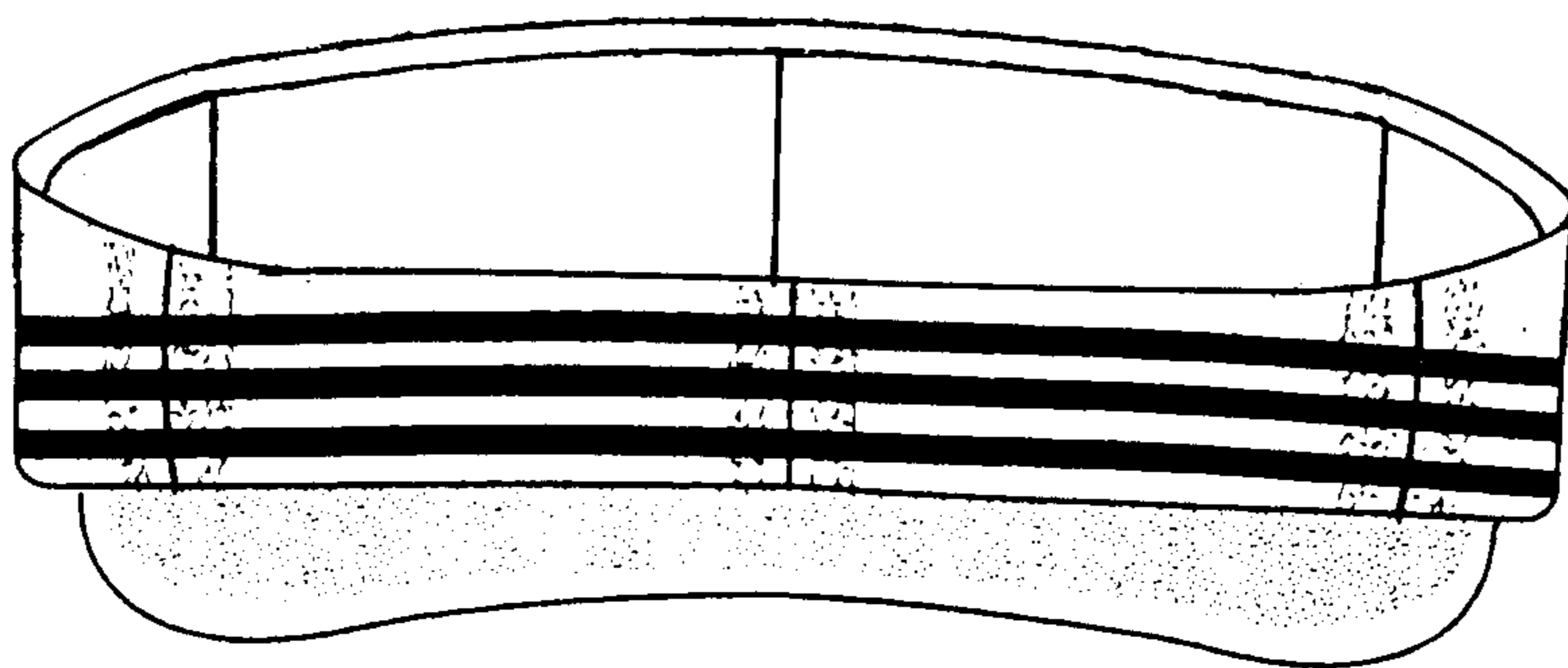


FIG 2

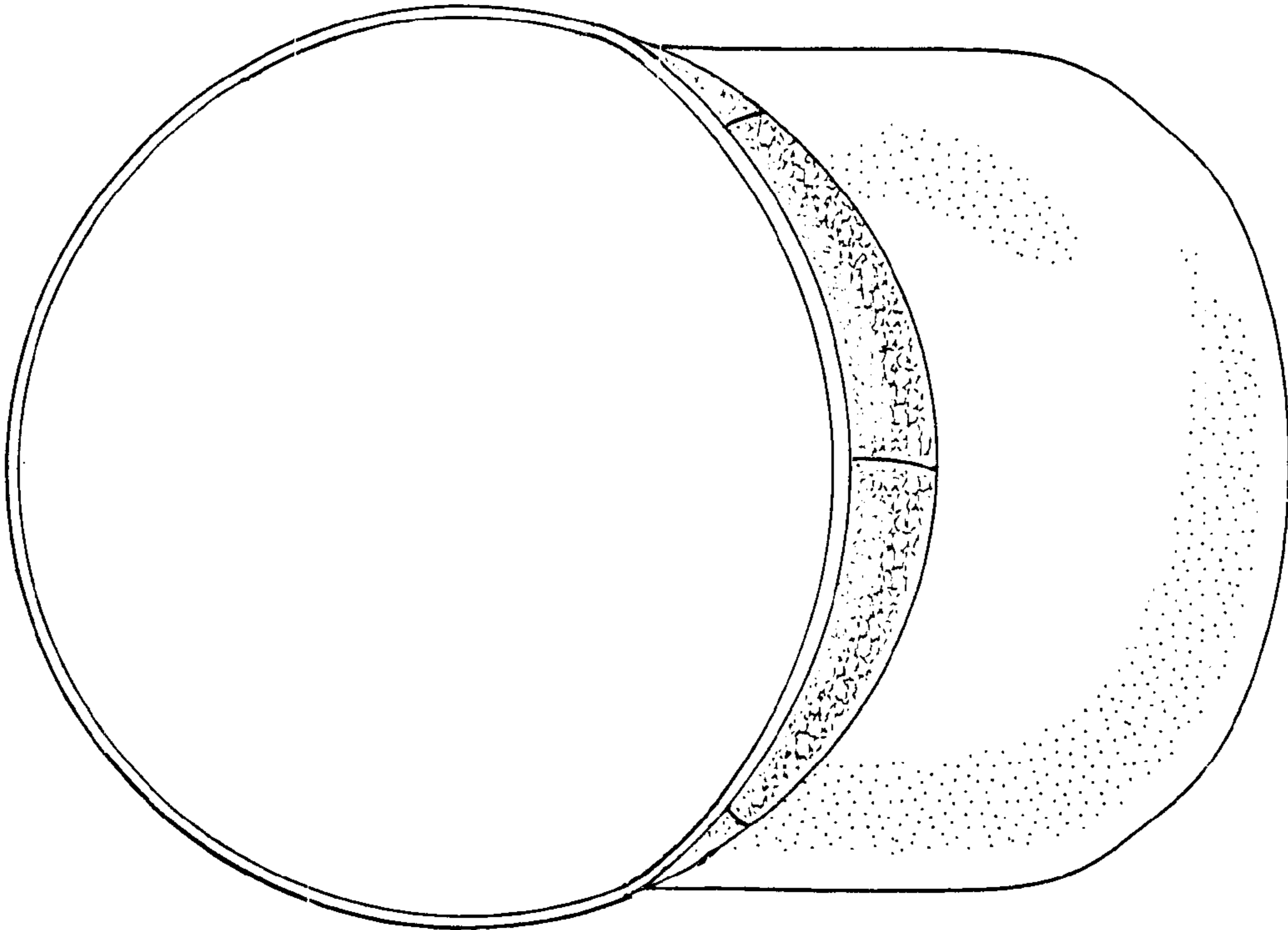


FIG 3

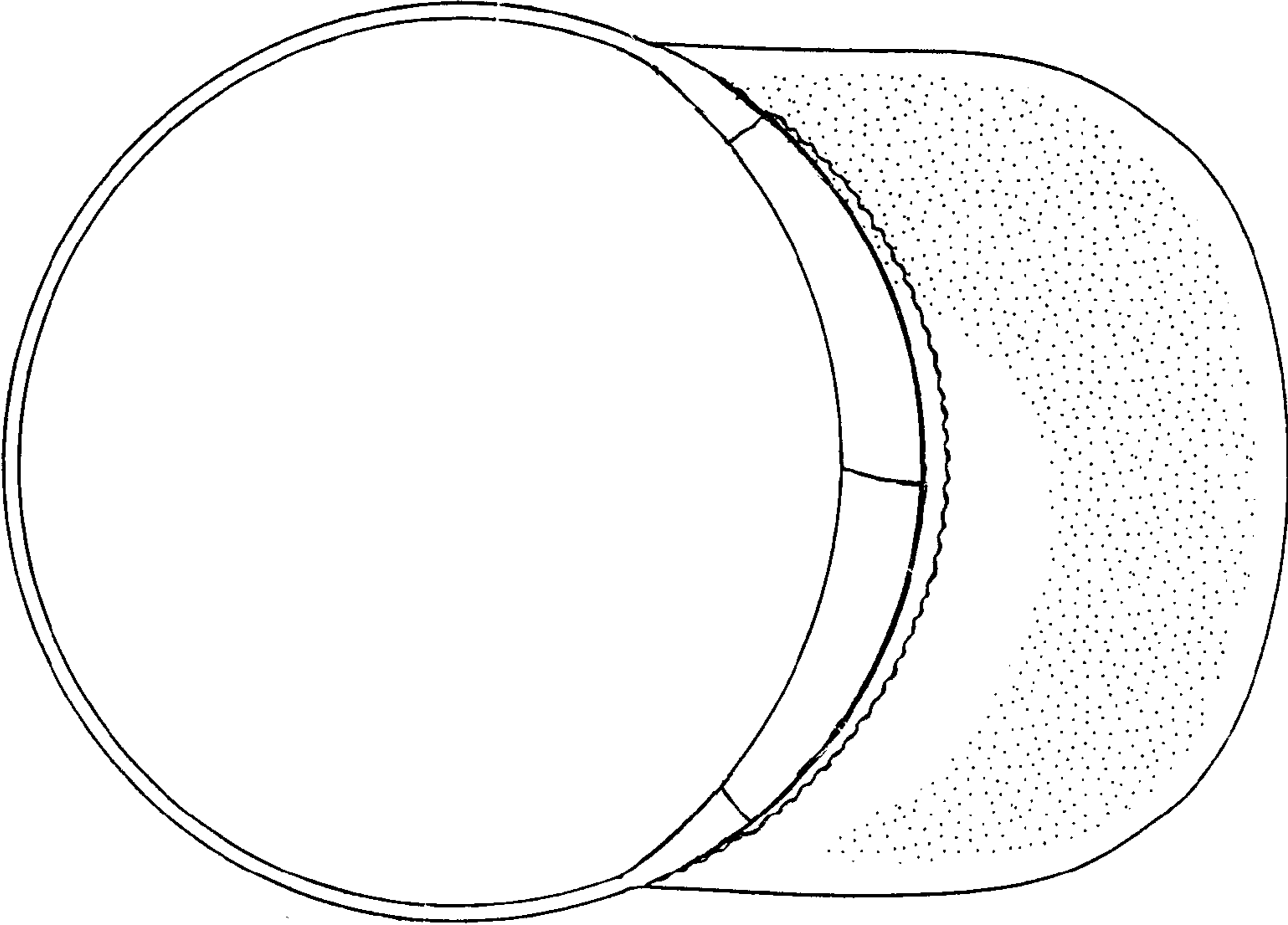


FIG 4

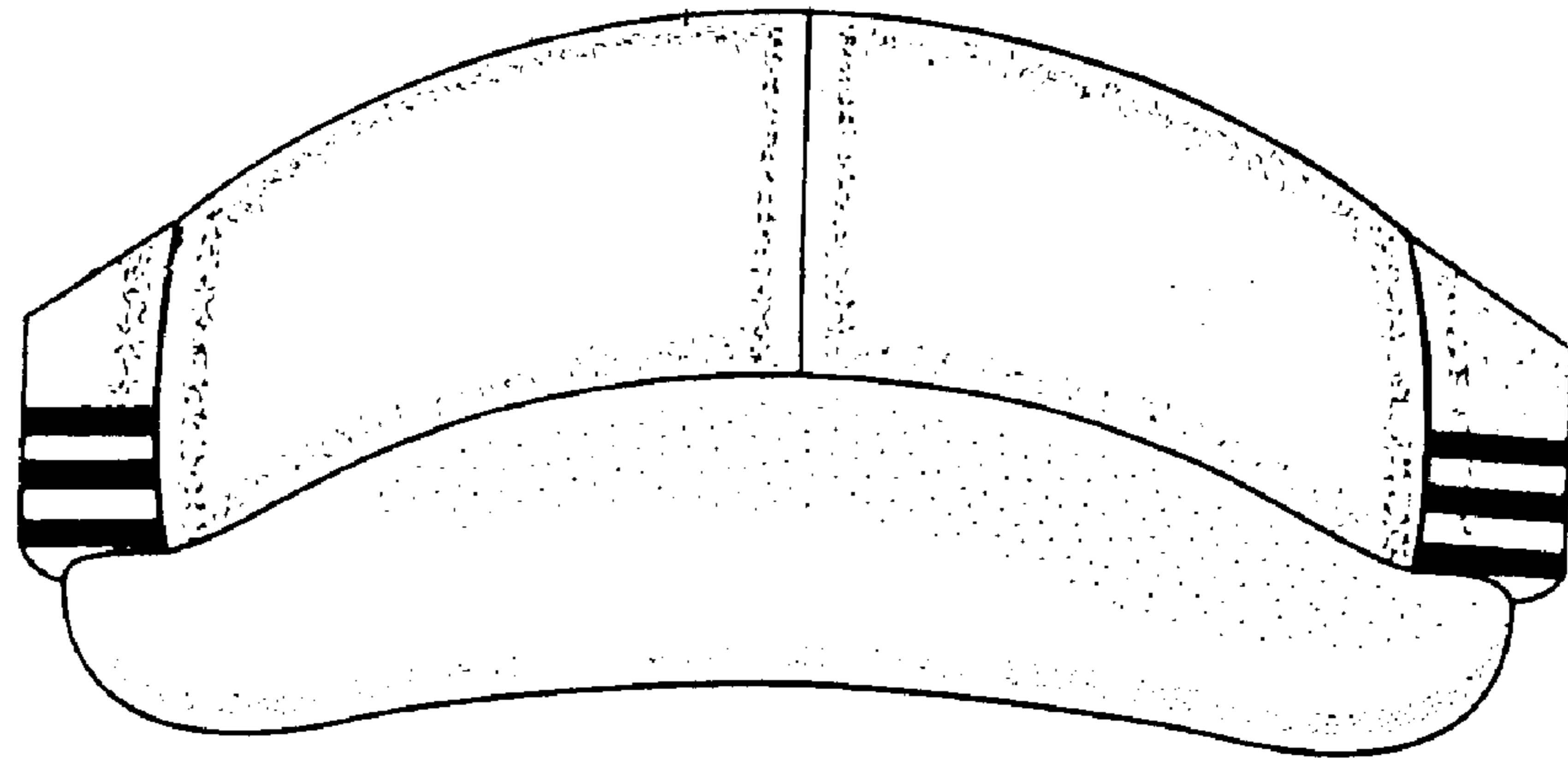


FIG 5

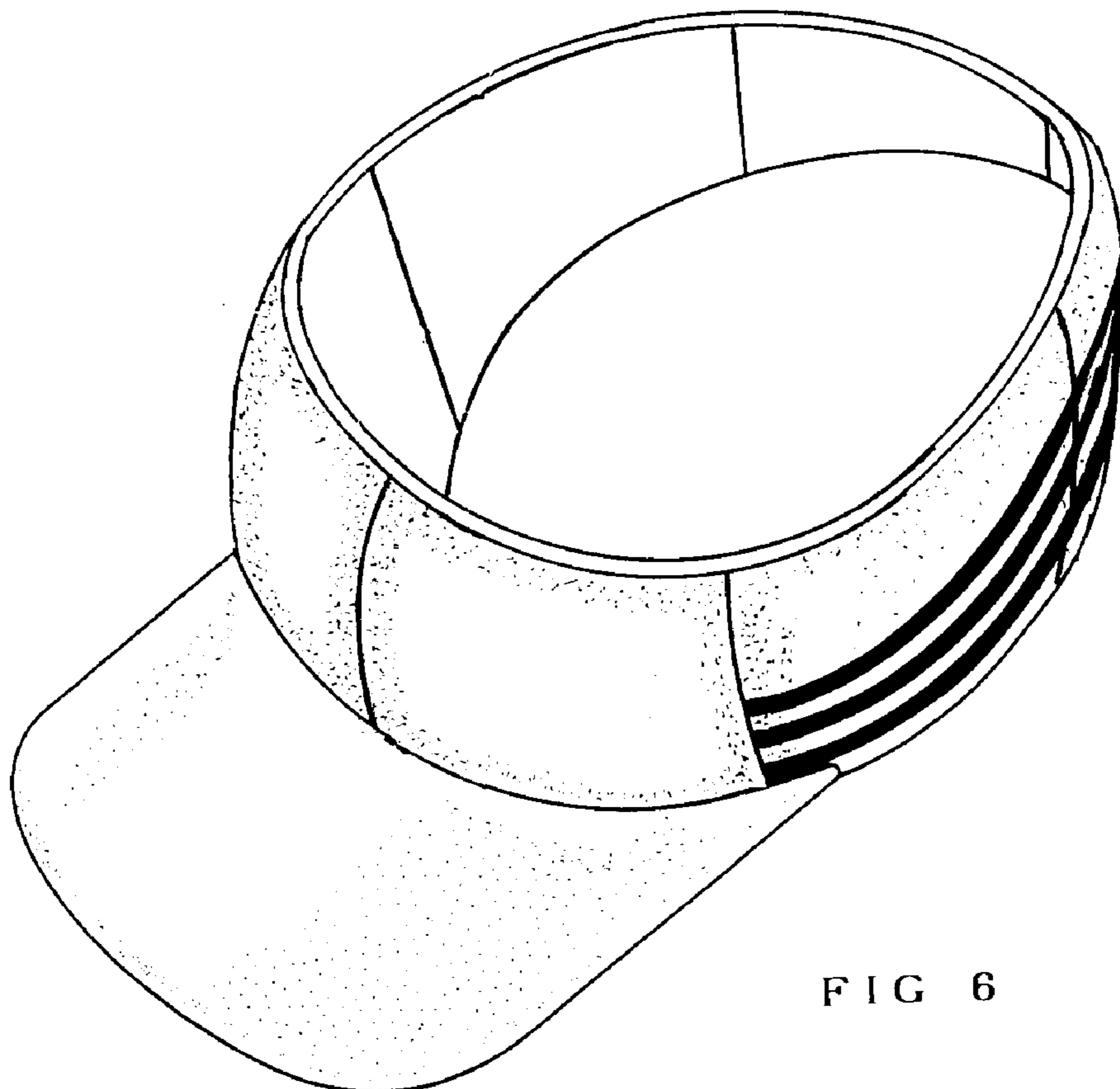


FIG 6

Disclaimer

D. 502,589 — Kyu Nam Lee, Los Angeles, CA (US). SUN VISOR. Patent dated Mar. 8, 2005. Disclaimer filed Dec. 20, 2005, by the assignee, Kyu Nam Lee.

Hereby enters this disclaimer to all claims, of said patent.

(Official Gazette, February 14, 2006)