

US00D502582S

(12) **United States Design Patent**
Boles

(10) **Patent No.:** **US D502,582 S**
(45) **Date of Patent:** **** Mar. 1, 2005**

(54) **LEAF BAG FILLER**

(76) **Inventor:** **Clarence E. Boles**, 3593 Idle Creek Dr., Decatur, GA (US) 30034

(**) **Term:** **14 Years**

(21) **Appl. No.:** **29/176,285**

(22) **Filed:** **Feb. 21, 2003**

(51) **LOC (7) Cl.** **09-09**

(52) **U.S. Cl.** **D34/6**

(58) **Field of Search** 248/95, 96, 97,
248/98, 99, 100, 101; D34/5, 6, 1; 220/908,
908.1, 909

(56) **References Cited**

U.S. PATENT DOCUMENTS

474,382 A *	5/1892	Haines	141/265
645,544 A *	3/1900	Bissell	248/99
1,088,633 A *	2/1914	Simmons et al.	141/312
3,324,906 A *	6/1967	Chu	141/114
4,530,533 A *	7/1985	Dieter	294/1.1
5,593,117 A *	1/1997	Alexander, III	248/99
5,765,614 A *	6/1998	Kardosh	141/390

5,816,431 A *	10/1998	Giannopoulos	220/495.11
5,868,364 A *	2/1999	MacMillan	248/97
5,871,037 A *	2/1999	Feldt	141/391
5,918,651 A *	7/1999	Gazdy et al.	141/391
6,116,548 A *	9/2000	Oleson	248/97
6,116,549 A *	9/2000	Santa Cruz et al.	248/97
6,135,518 A *	10/2000	Holthaus	294/11

* cited by examiner

Primary Examiner—Cynthia E. Ramirez

(74) *Attorney, Agent, or Firm*—Myers & Kaplan, LLC; Thomas R. Williamson, III

(57) **CLAIM**

The ornamental design for a leaf bag filler, as shown.

DESCRIPTION

FIG. 1 is a top view of a leaf bag filler embodying my new design;

FIG. 2 is a front view thereof;

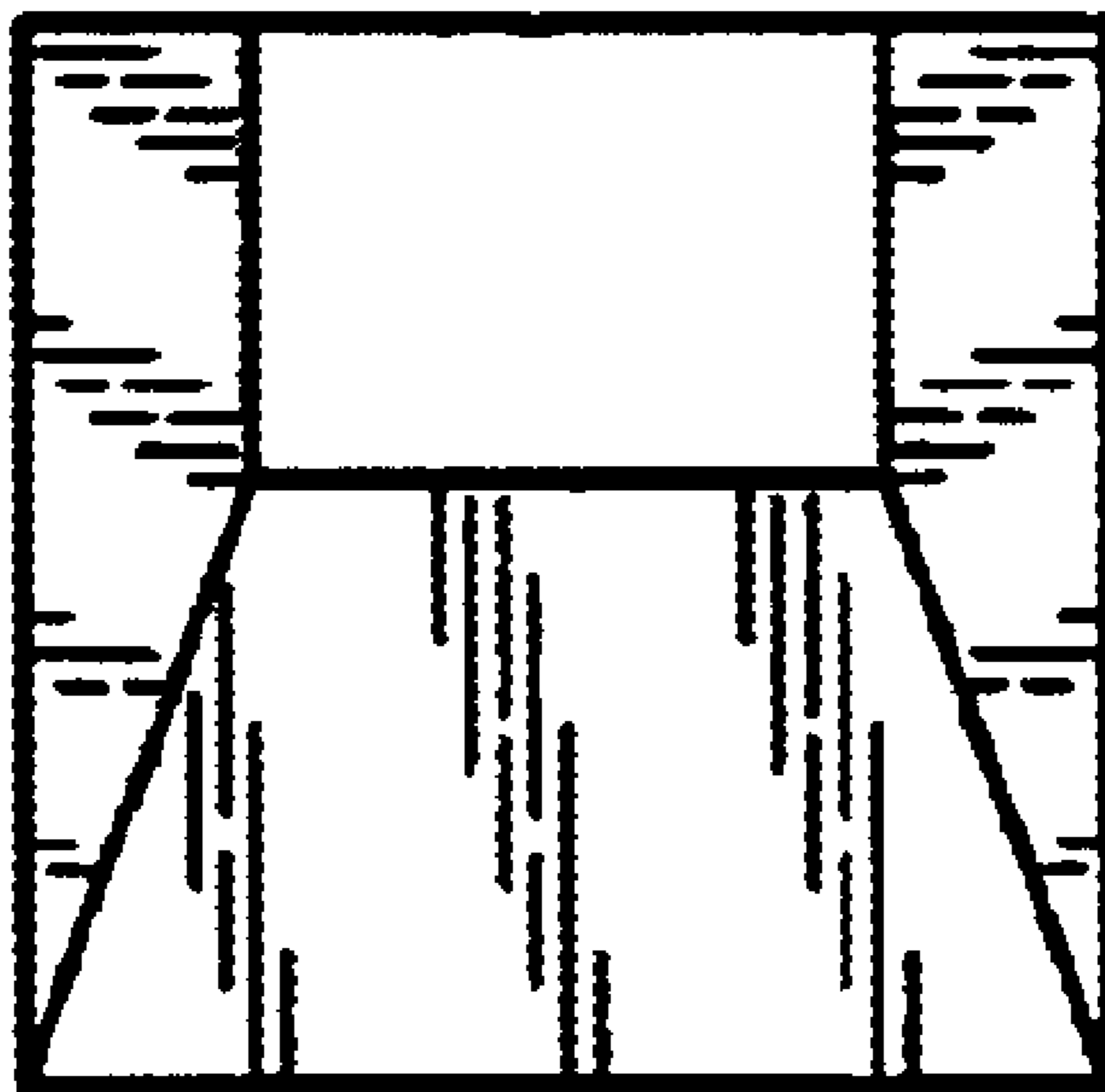
FIG. 3 is a left side view thereof;

FIG. 4 is a rear view thereof;

FIG. 5 is a right side view thereof; and,

FIG. 6 is a bottom view thereof.

1 Claim, 1 Drawing Sheet



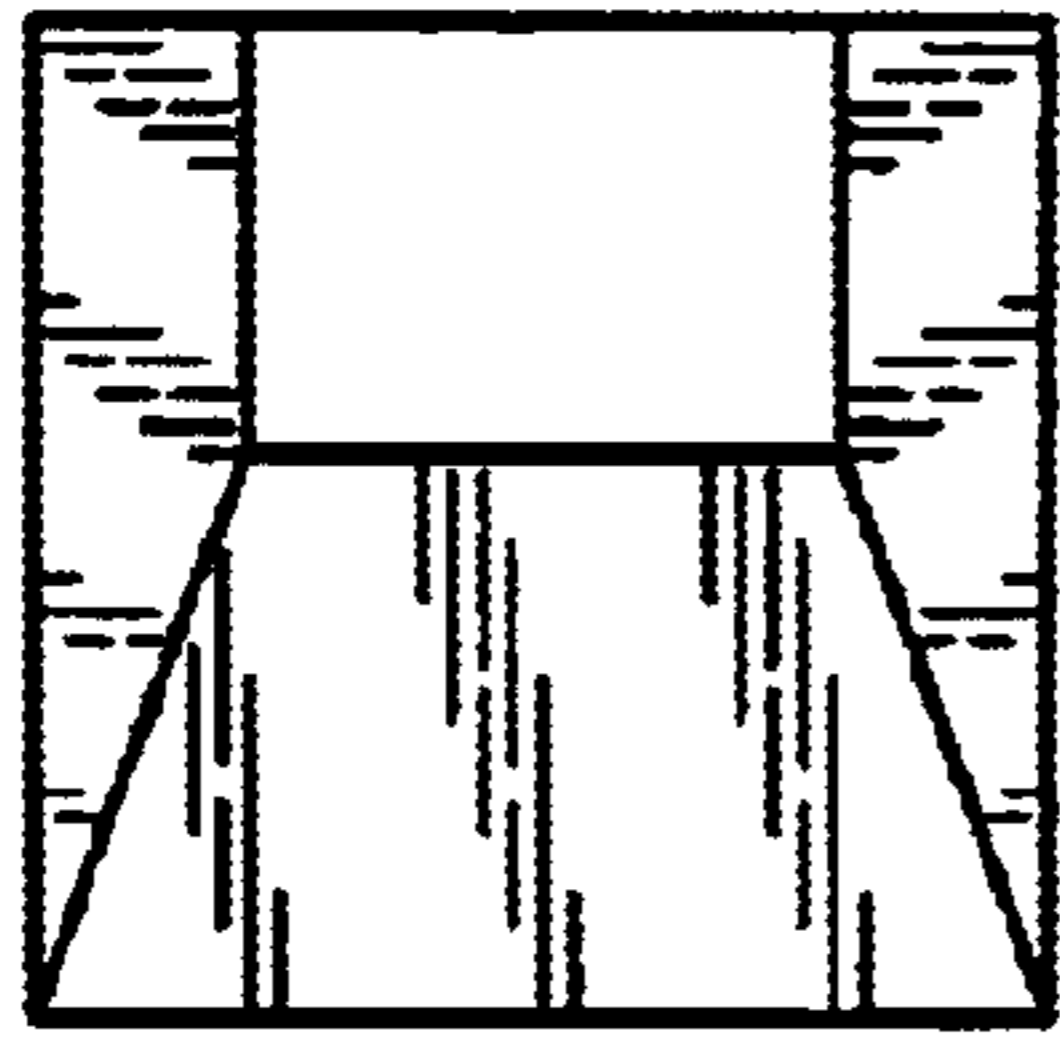


FIG. 1

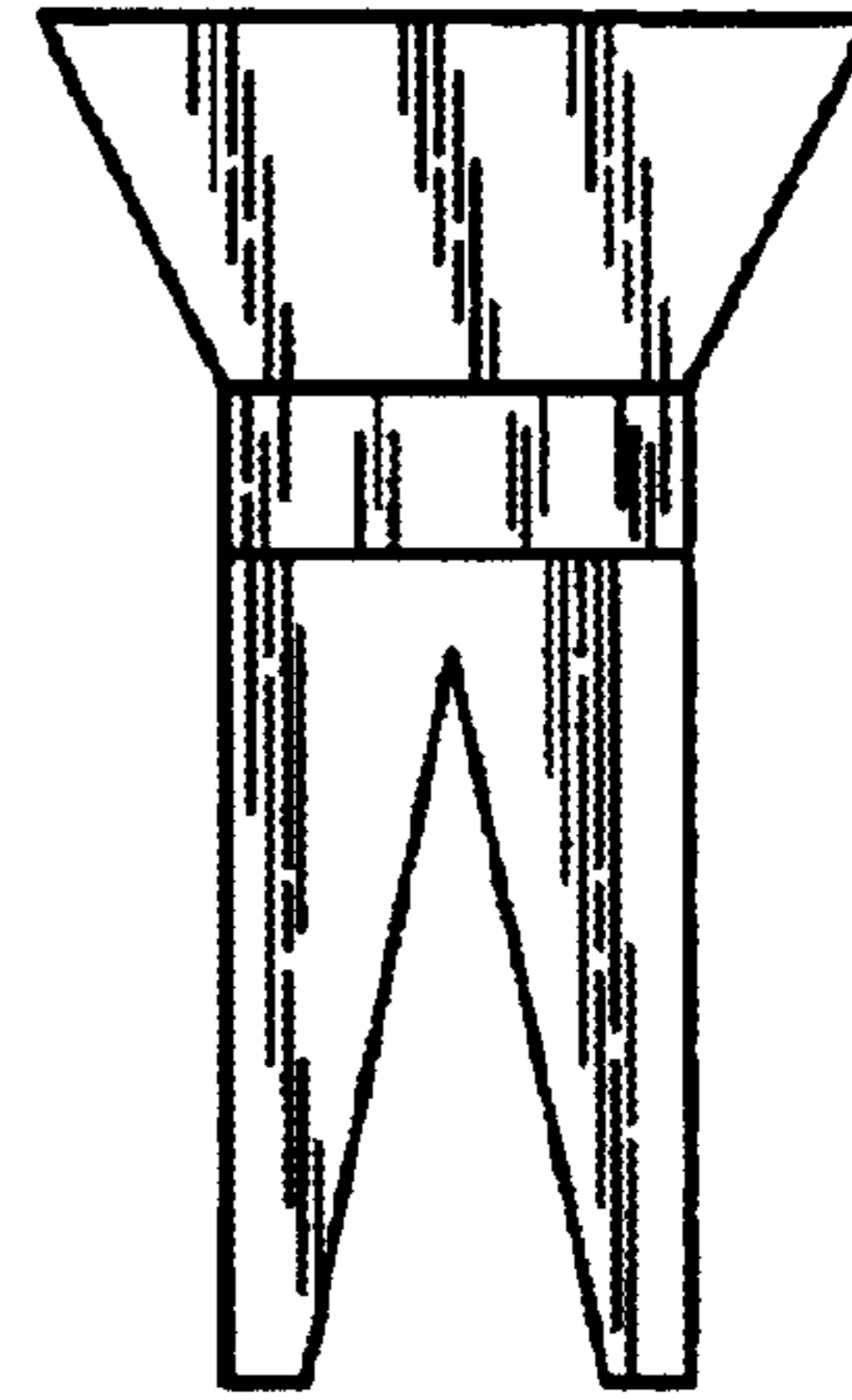


FIG. 2

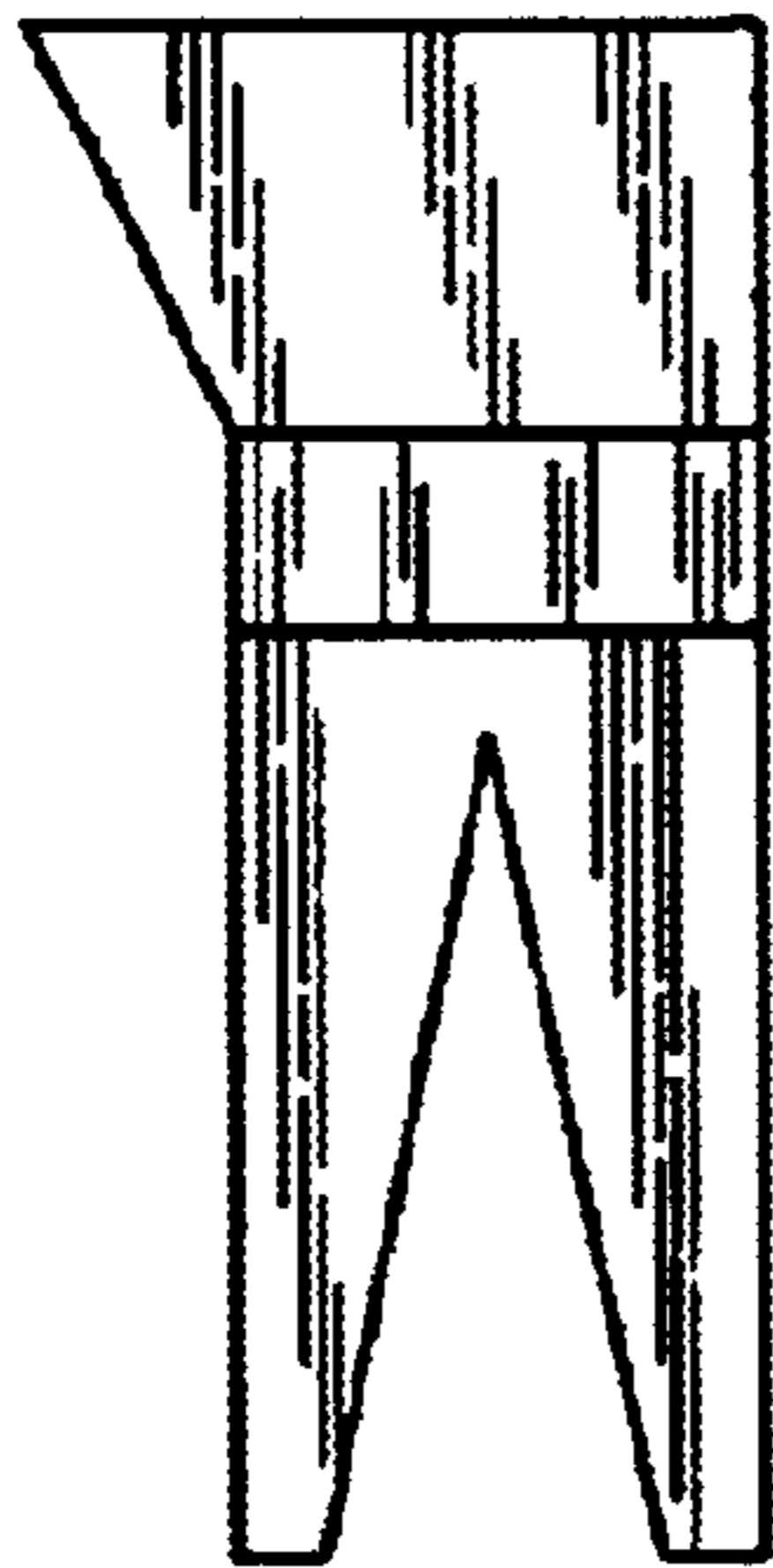


FIG. 3

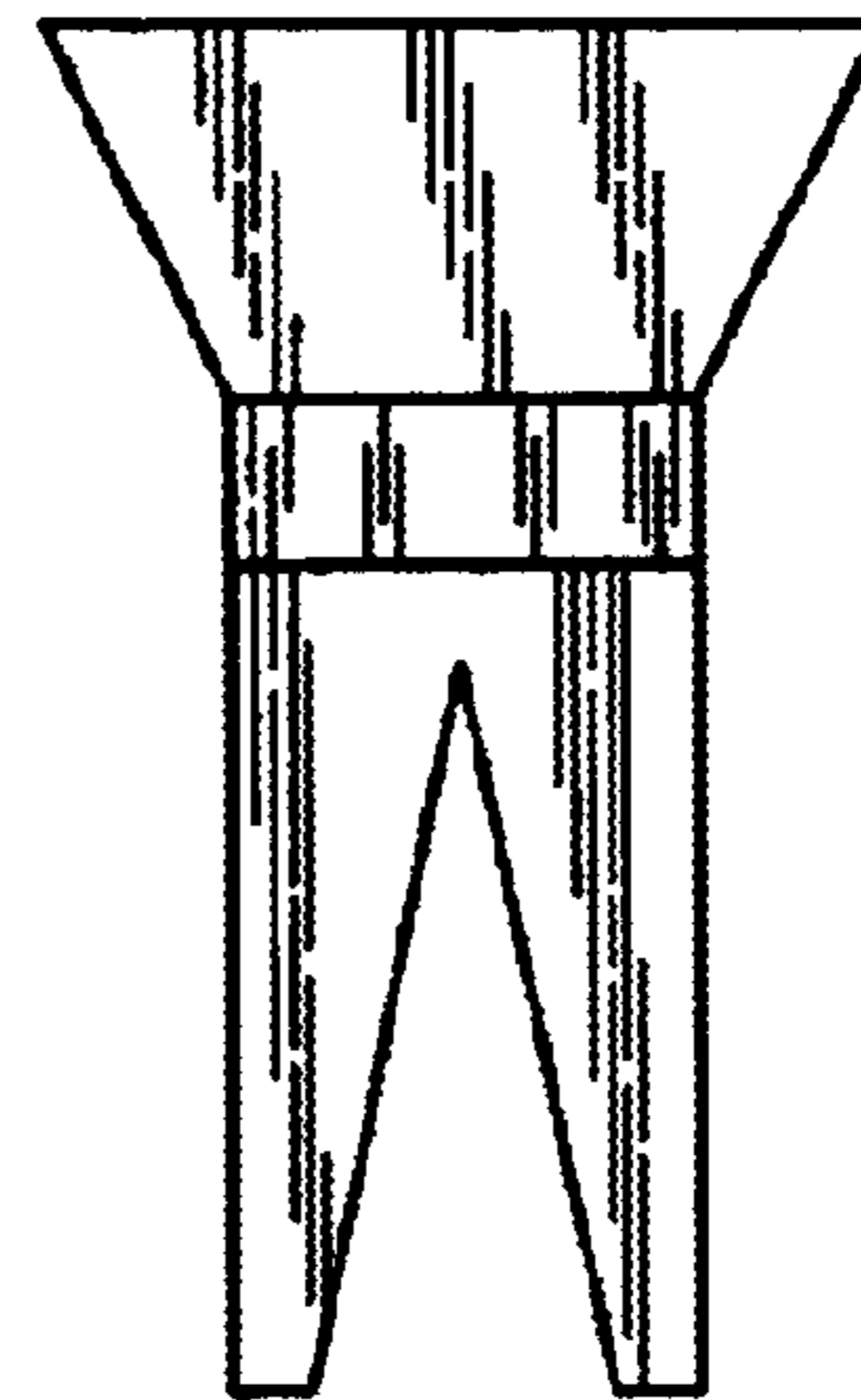


FIG. 4

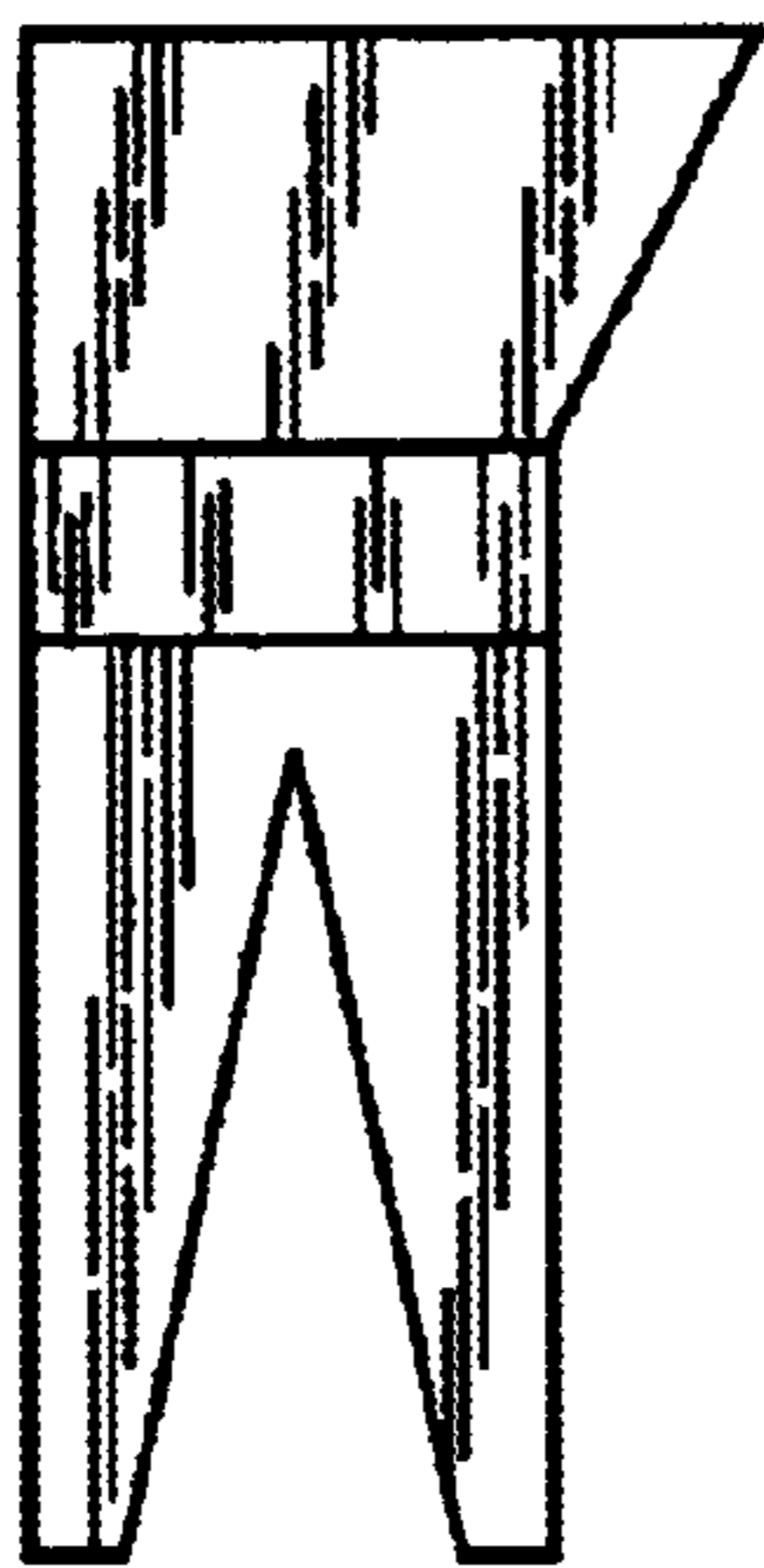


FIG. 5

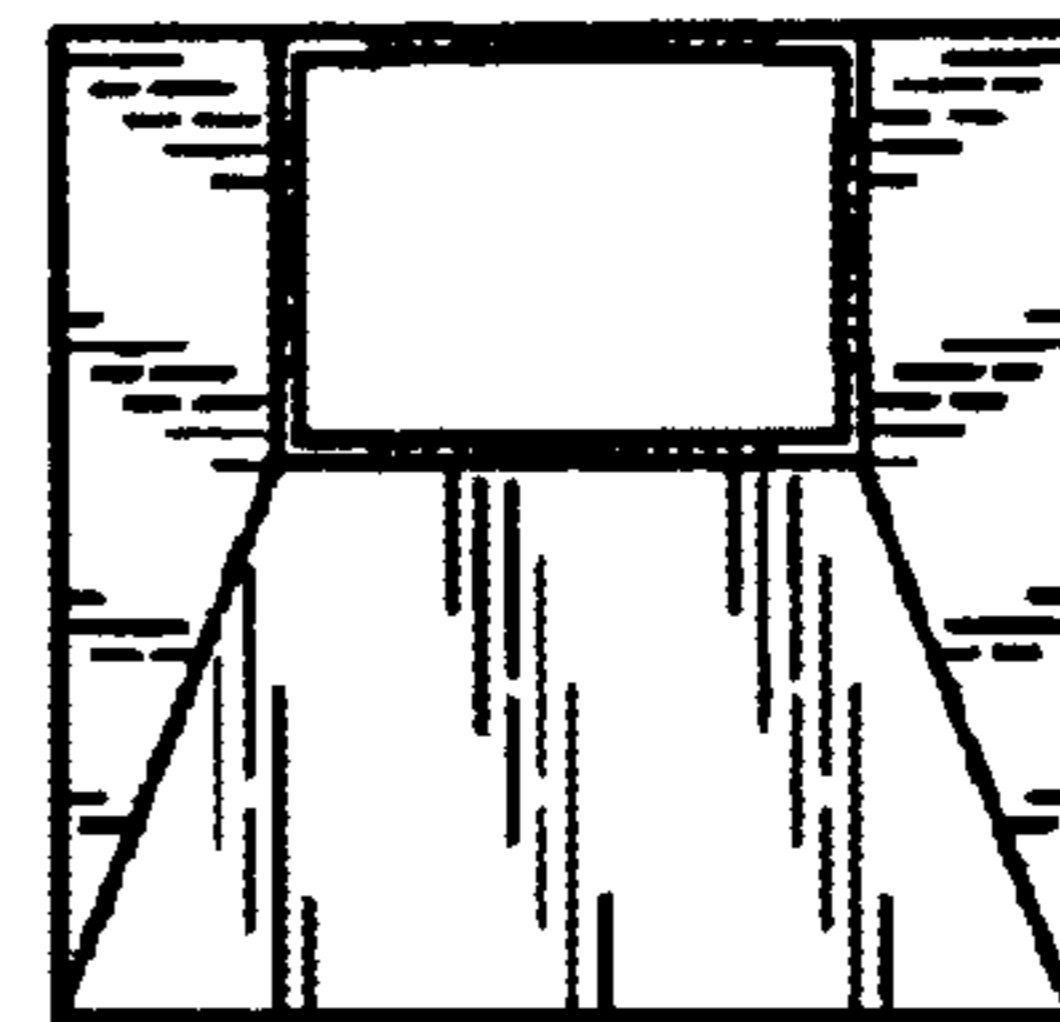


FIG. 6