

US00D502580S

(12) **United States Design Patent**  
**Williams**

(10) **Patent No.:** **US D502,580 S**  
(45) **Date of Patent:** **\*\* Mar. 1, 2005**

(54) **SURFACE SQUEEGEE**

D453,248 S 1/2002 Wachler et al.  
6,530,098 B1 3/2003 Gringer et al.

(76) Inventor: **Robert D. Williams**, 5374 S. Datura St., Littleton, CO (US) 80120

\* cited by examiner

(\*\*) Term: **14 Years**

*Primary Examiner*—Alan P. Douglas  
*Assistant Examiner*—Lavone D. Tabor  
(74) *Attorney, Agent, or Firm*—Brian D. Smith; James K. Poole

(21) Appl. No.: **29/183,660**

(22) Filed: **Jun. 14, 2003**

(57) **CLAIM**

(51) **LOC (7) Cl.** ..... **04-01**

The ornamental design for my surface squeegee, as shown and described.

(52) **U.S. Cl.** ..... **D32/41; D32/46**

(58) **Field of Search** ..... D32/40, 41, 46;  
D7/688; D8/14, 16, 45; 15/236.01, 236.02,  
236.07, 236.08, 245, 245.1; 30/169

**DESCRIPTION**

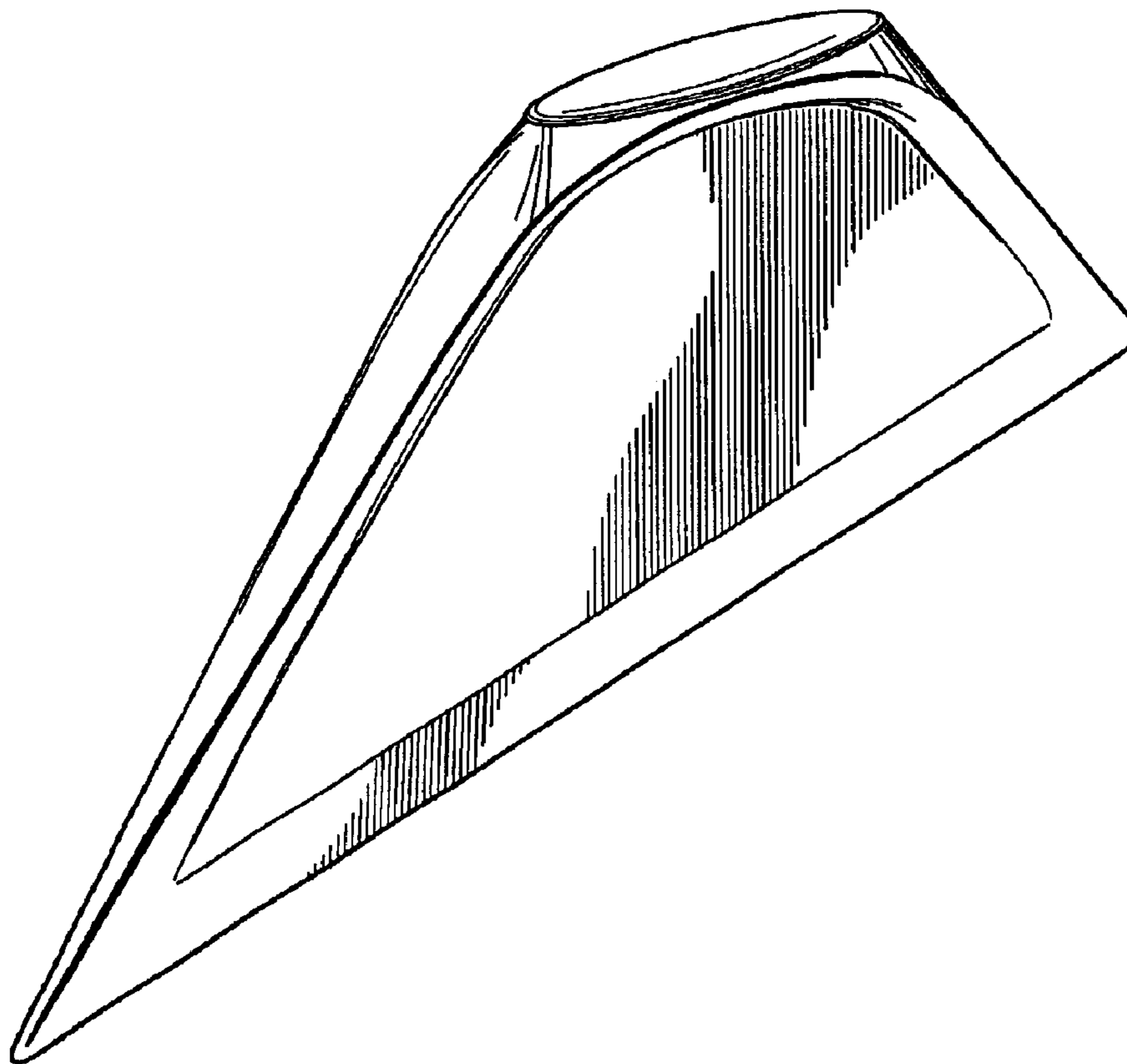
(56) **References Cited**

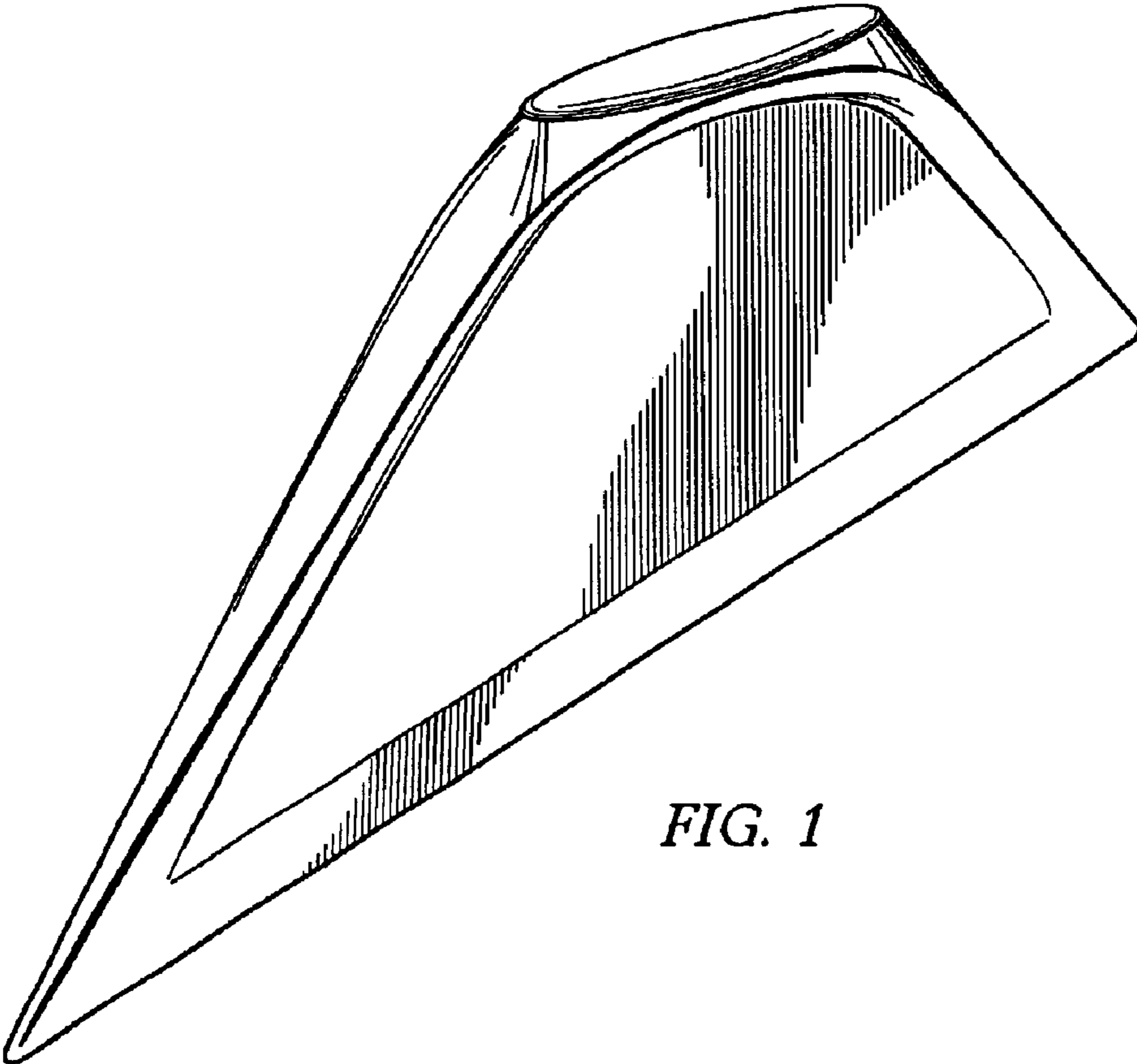
**U.S. PATENT DOCUMENTS**

D32,484 S	*	4/1900	Bowles	.....	D32/46
D34,272 S	*	3/1901	Hoffman	.....	D32/46
D221,244 S	*	7/1971	Lawrence	.....	D32/46
D233,586 S	*	11/1974	Kopp	.....	D32/46
4,536,910 A		8/1985	Clark		
D307,862 S		5/1990	Masotta		
5,092,050 A		3/1992	Bardeen		
D332,160 S	*	12/1992	Kuzma	.....	D32/41
D395,104 S		6/1998	Huang		
5,920,946 A	*	7/1999	McCarten	.....	15/236.01
5,996,231 A		12/1999	Roche et al.		

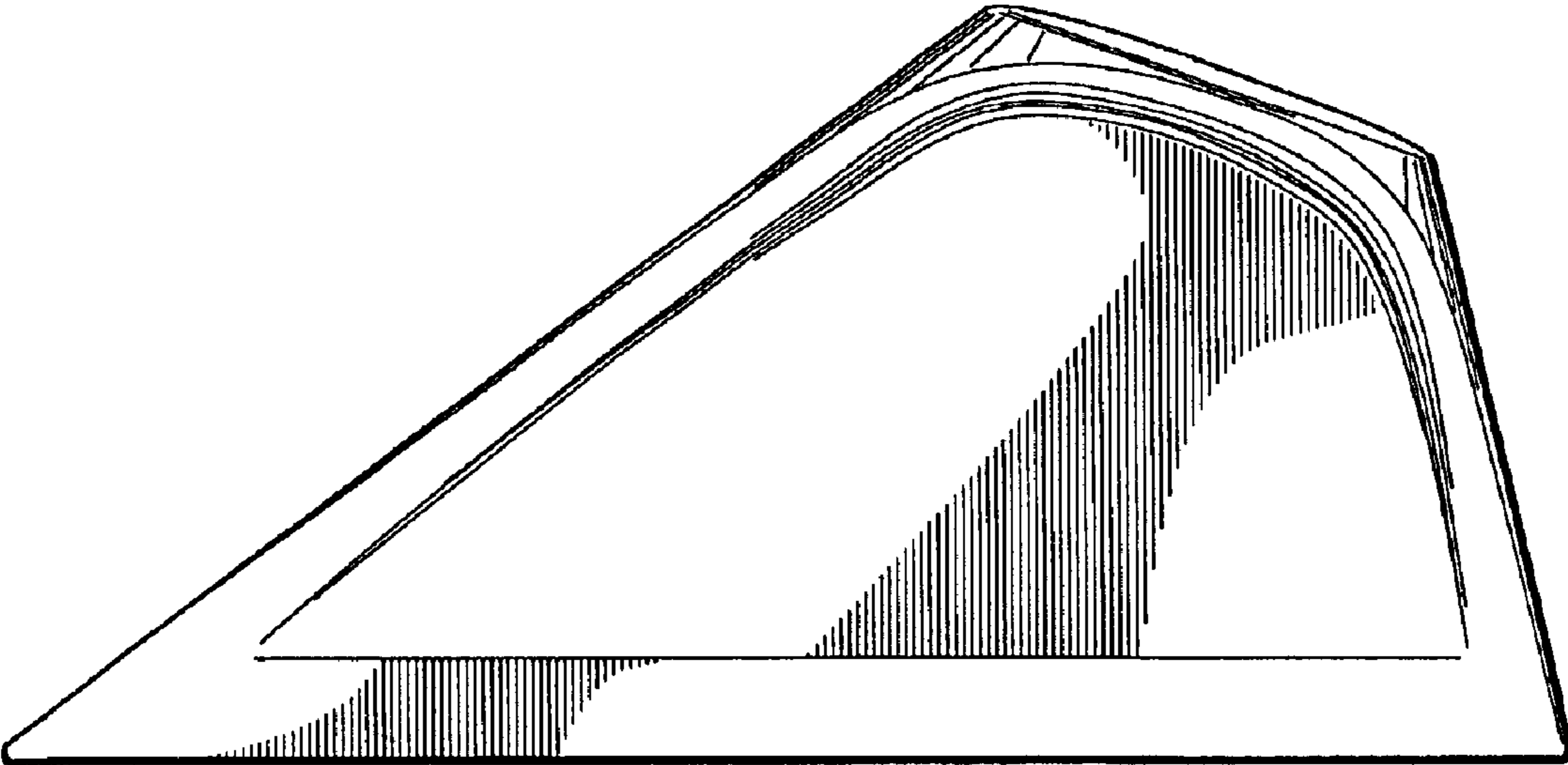
FIG. 1 is a perspective view of my design for a surface squeegee;  
FIG. 2 is a left side elevation view of the surface squeegee of FIG. 1, the right side elevation view which is not shown is a mirror image of the left side elevation view of FIG. 2;  
FIG. 3 is a bottom plan view of the surface squeegee of FIG. 1;  
FIG. 4 is a top plan view of the surface squeegee of FIG. 1;  
FIG. 5 is a front elevation view of the surface squeegee of FIG. 1; and,  
FIG. 6 is a rear elevation view of the surface squeegee of FIG. 1.

**1 Claim, 2 Drawing Sheets**

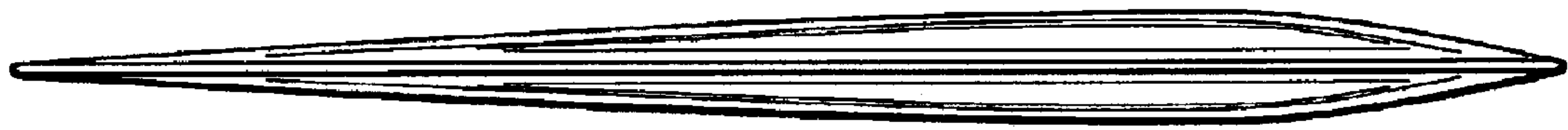




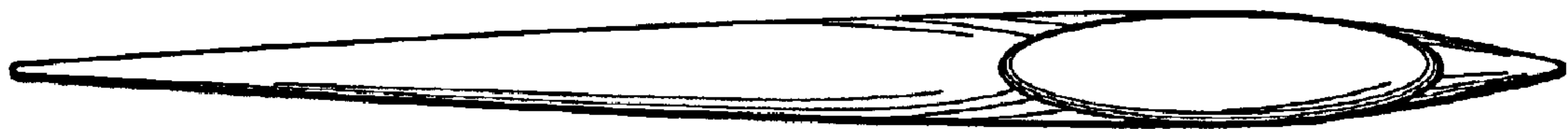
*FIG. 1*



*FIG. 2*



*FIG. 3*



*FIG. 4*



*FIG. 5*



*FIG. 6*