

US00D502568S

(12) **United States Design Patent**
Longoria

(10) **Patent No.: US D502,568 S**
(45) **Date of Patent: ** Mar. 1, 2005**

- (54) **HAIR COLORING APPARATUS**
- (75) Inventor: **Jose Longoria**, Miami, FL (US)
- (73) Assignee: **Longoria Design LLC**, Miami, FL (US)
- (**) Term: **14 Years**
- (21) Appl. No.: **29/199,734**
- (22) Filed: **Feb. 19, 2004**
- (51) **LOC (7) Cl. 28-02**
- (52) **U.S. Cl. D28/7; D28/20**
- (58) **Field of Search D28/7, 20, 10, D28/35, 38; D4/102, 114, 128, 121; 132/208, 221, 270, 238, 237, 226, 122, 120, 271, 272, 108, 110; 401/268, 269, 274, 275, 9, 10, 19, 202-207**

- 6,626,599 B2 * 9/2003 De Laforcade 401/10
- 6,637,441 B2 * 10/2003 Kennedy et al. 132/212
- 6,691,712 B2 * 2/2004 Chu et al. 132/112
- D491,310 S * 6/2004 Glucksman et al. D28/35
- 6,746,165 B2 * 6/2004 de Laforcade 401/10

FOREIGN PATENT DOCUMENTS

CN 2320094 Y * 5/1999

* cited by examiner

Primary Examiner—Lucy Lieberman
(74) *Attorney, Agent, or Firm*—Akerman Senterfitt

(57) **CLAIM**

The ornamental design for a hair coloring apparatus, as shown and described.

DESCRIPTION

FIG. 1 is a front perspective view of a hair coloring apparatus showing my new design.

FIG. 2 is a left side view thereof.

FIG. 3 is a front view thereof.

FIG. 4 is a right side view thereof.

FIG. 5 is a back view thereof.

FIG. 6 is a top view thereof; and,

FIG. 7 is a bottom view thereof.

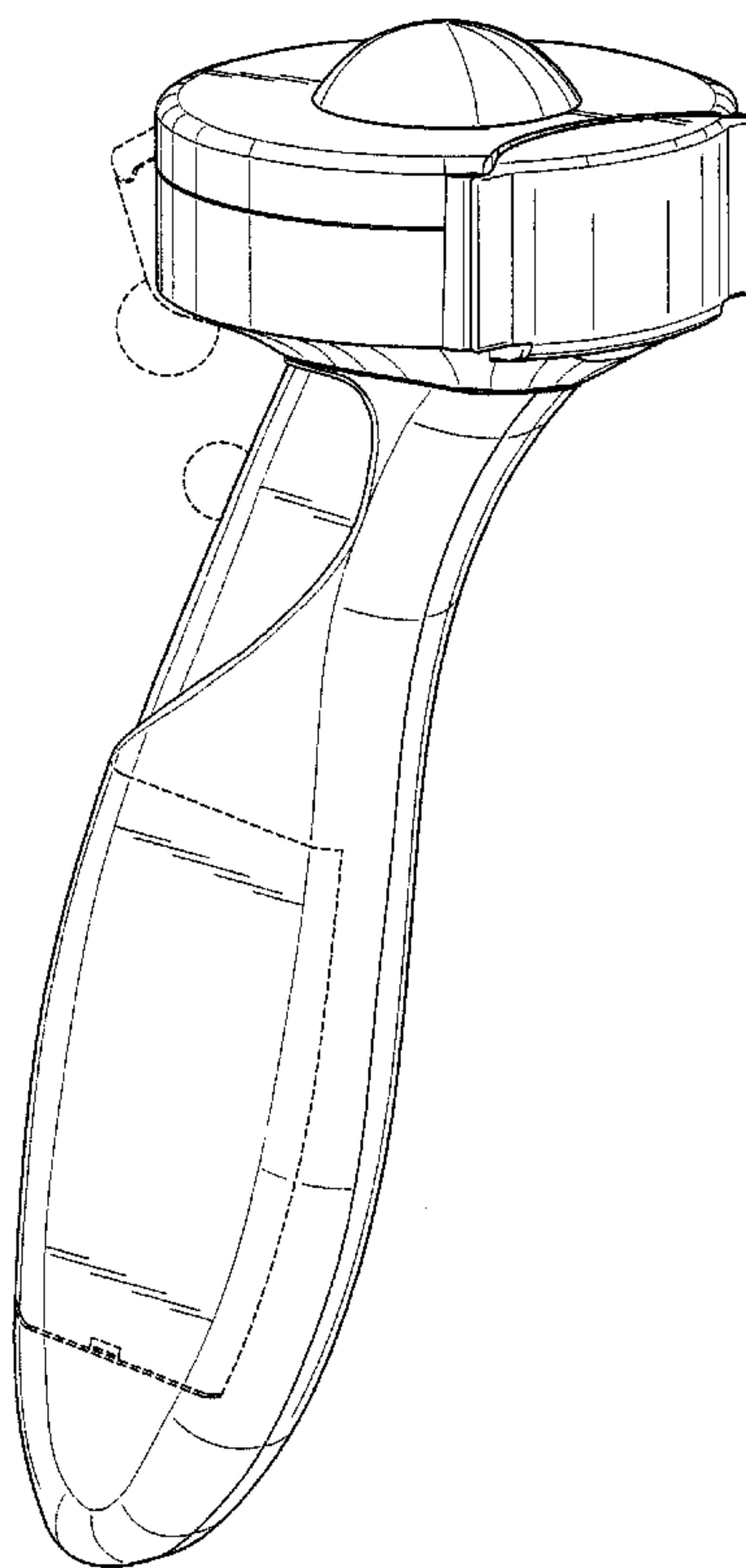
The broken lines in the drawings are for illustrative purposes only and do not form part of the claimed design.

(56) **References Cited**

U.S. PATENT DOCUMENTS

- 2,865,383 A * 12/1958 McDougall 132/213
- D207,393 S * 4/1967 Polatchak D4/102
- 4,385,638 A * 5/1983 Hasegawa 132/270
- 5,033,897 A * 7/1991 Chen 401/281
- D341,445 S * 11/1993 Morrison et al. D28/7
- 5,322,382 A * 6/1994 Hull et al. 401/131
- D361,404 S * 8/1995 Haas D28/7
- 5,454,659 A * 10/1995 Vosbikian et al. 401/207
- D452,044 S * 12/2001 Goetschi D28/20

1 Claim, 4 Drawing Sheets



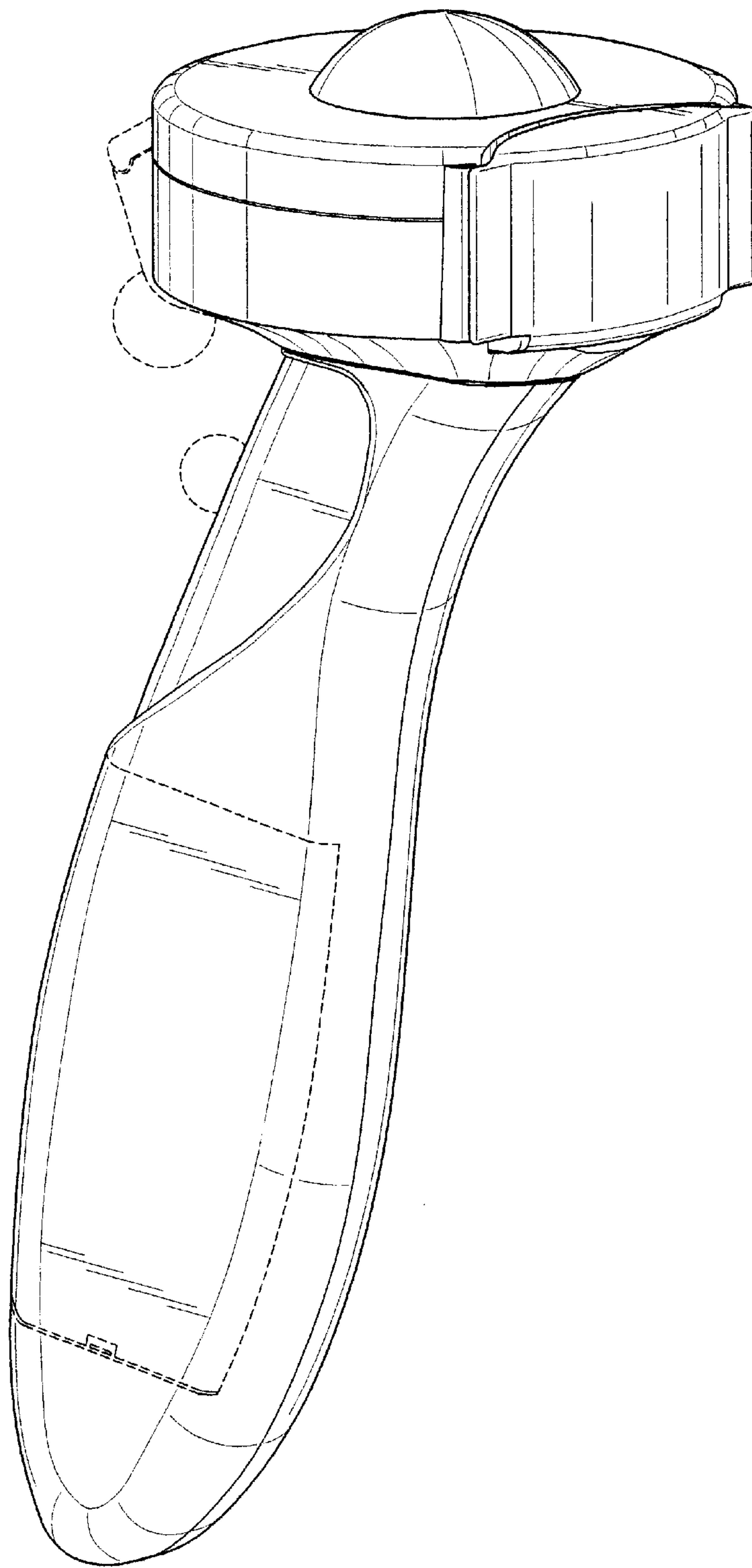


FIG. 1

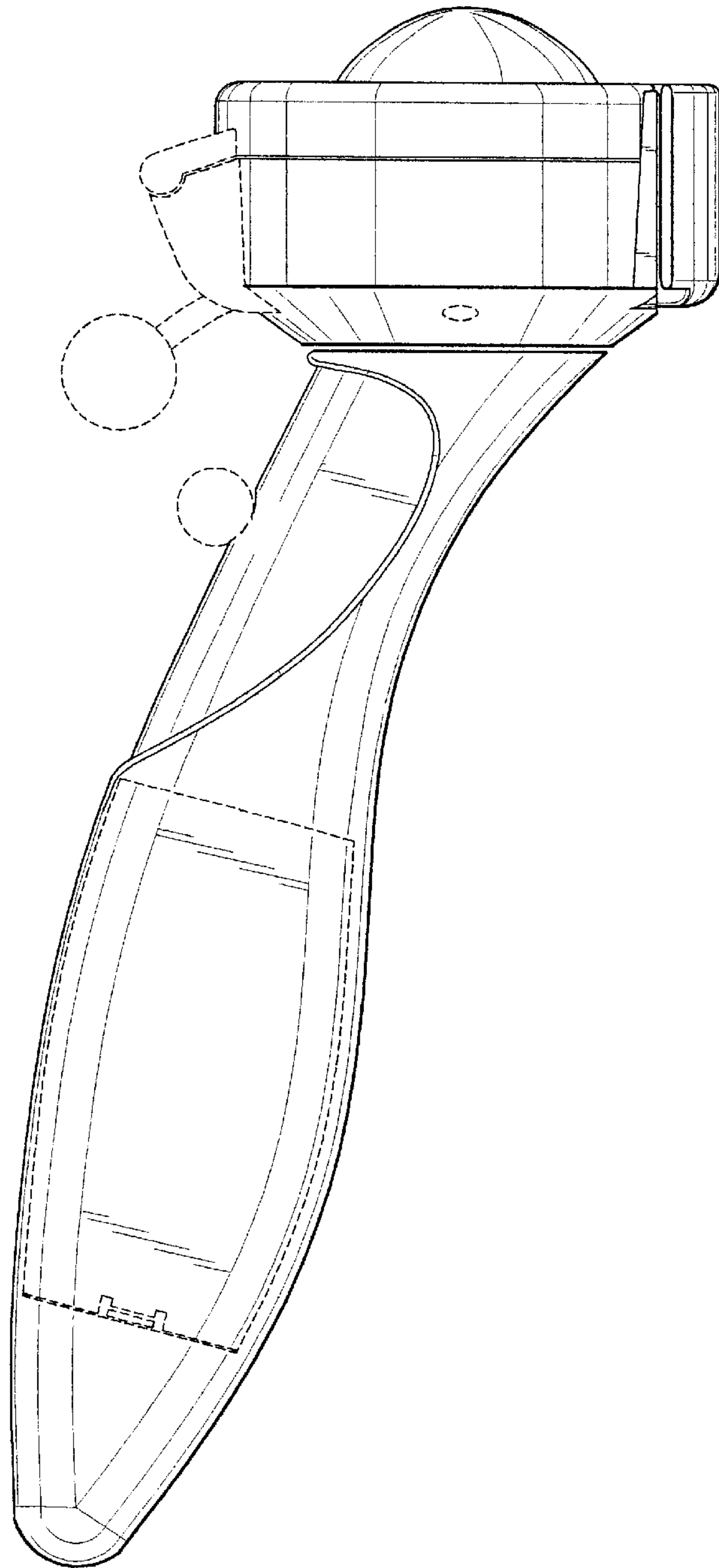


FIG. 2

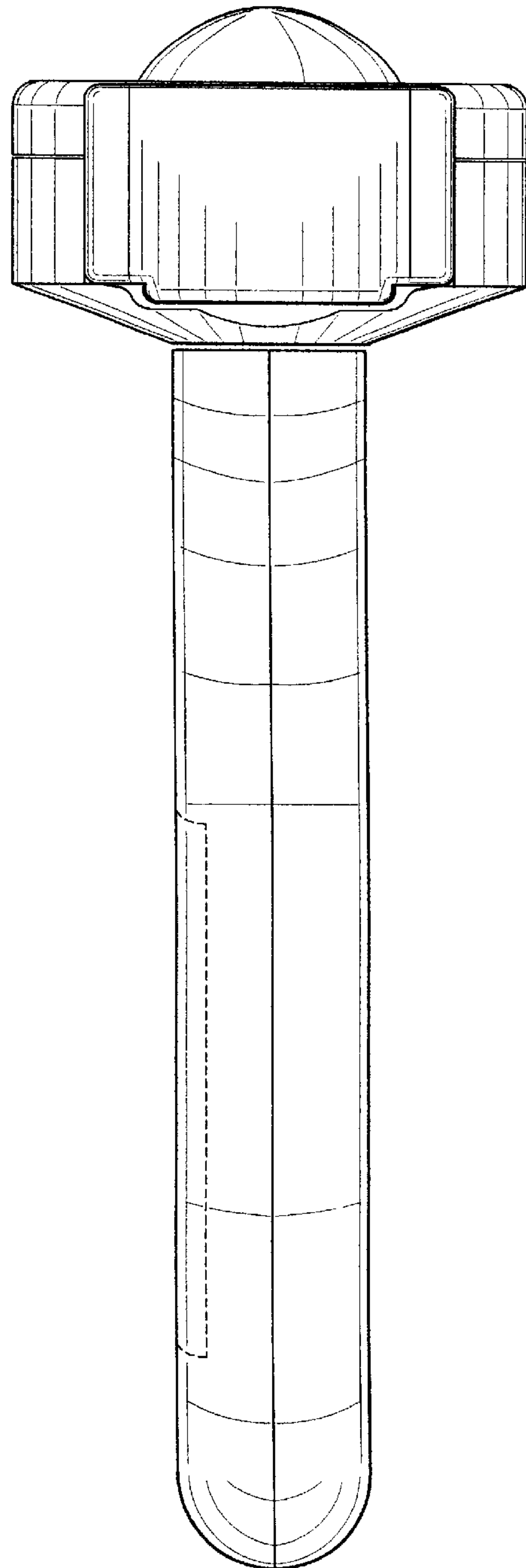


FIG. 3

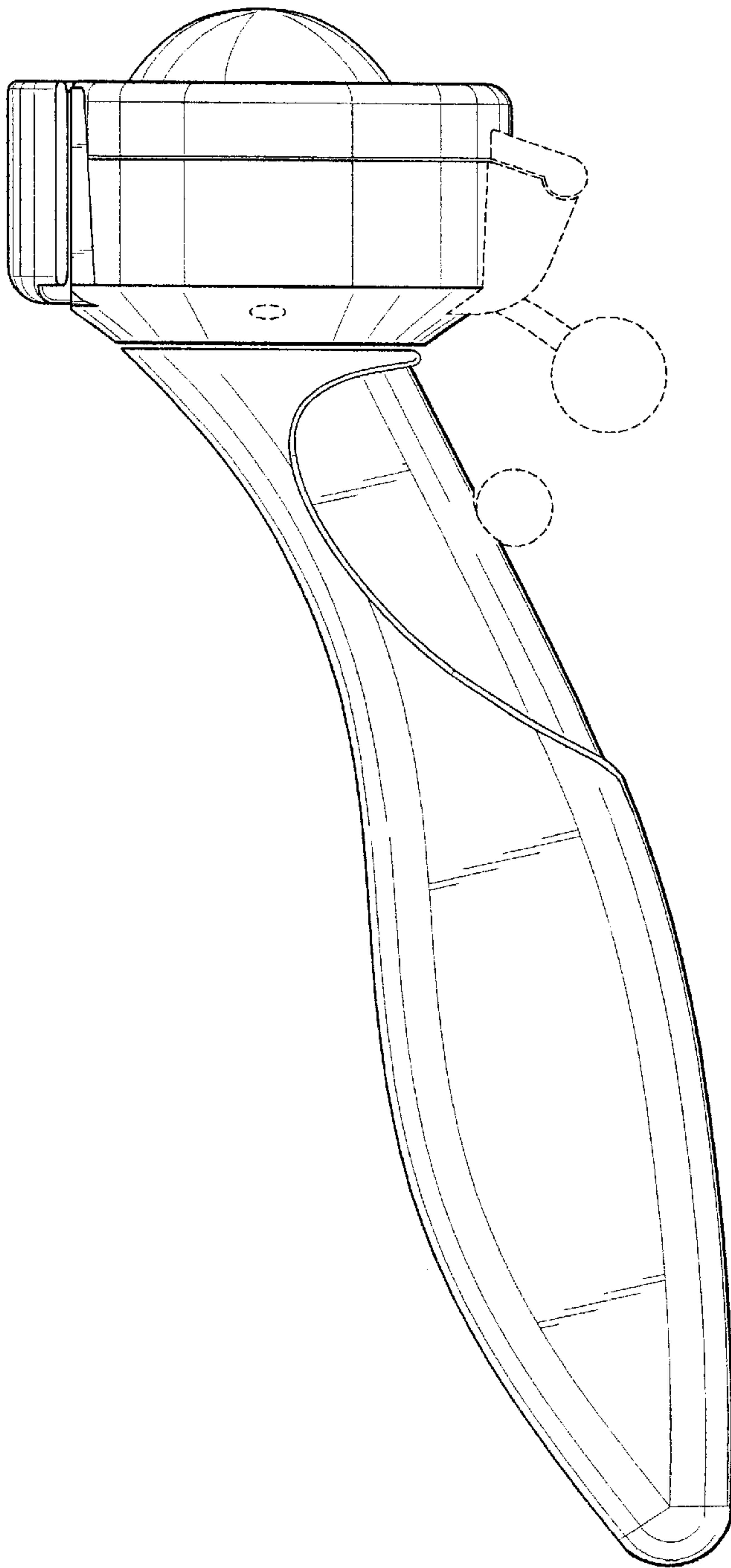


FIG. 4

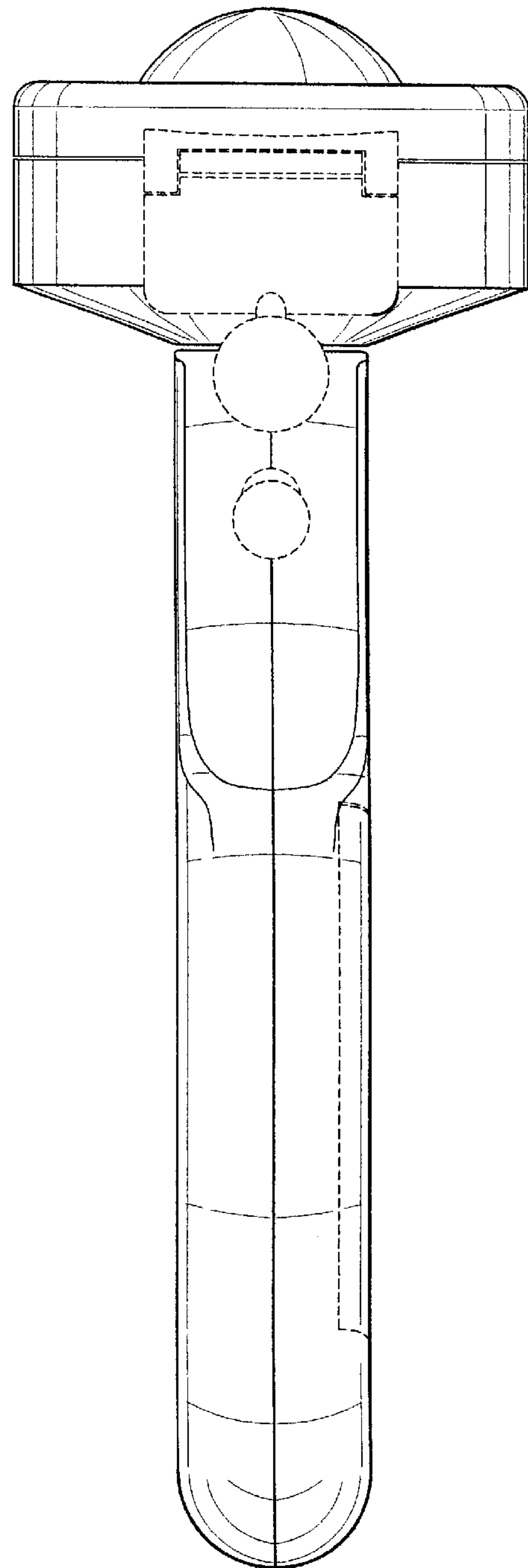


FIG. 5

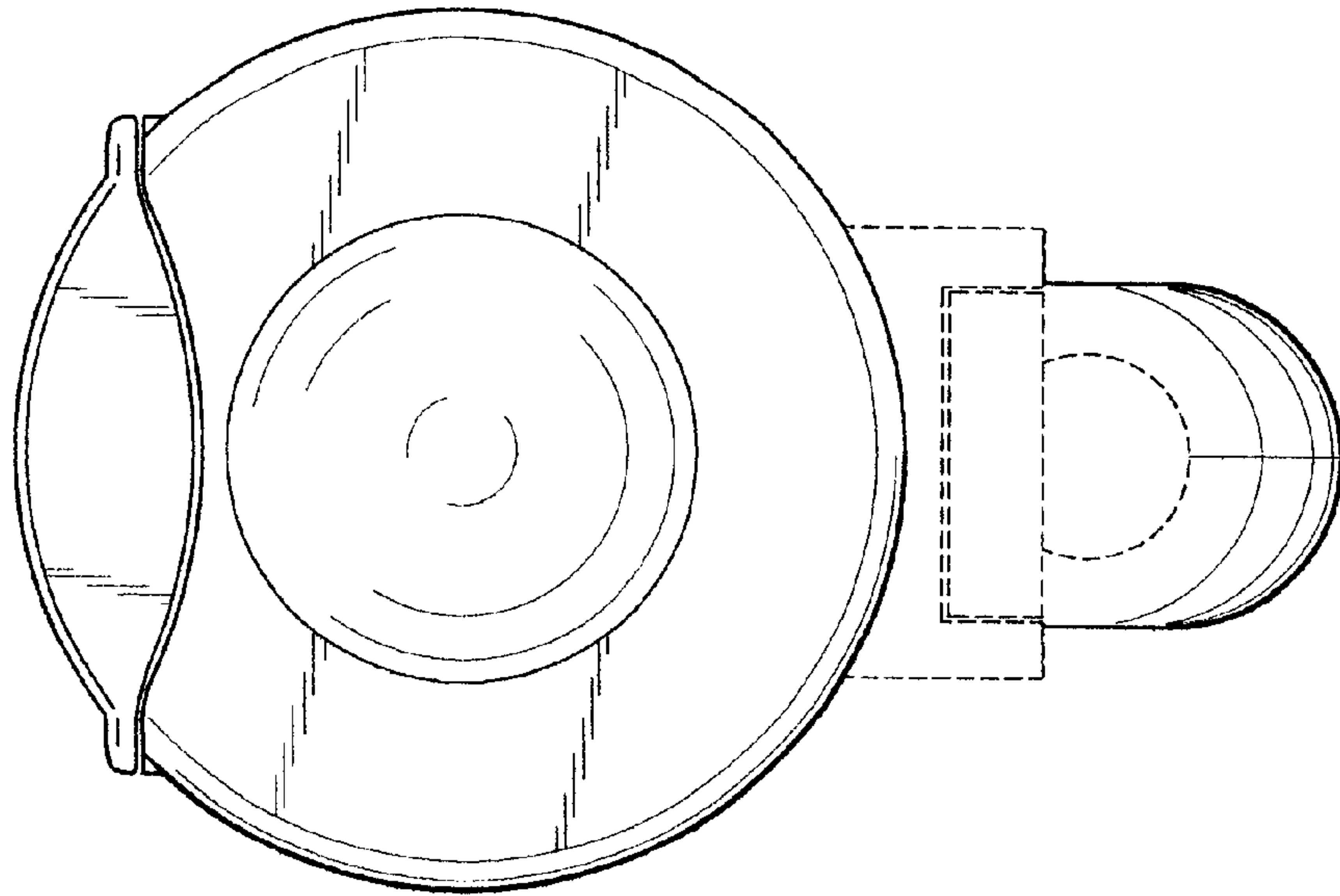


FIG. 6

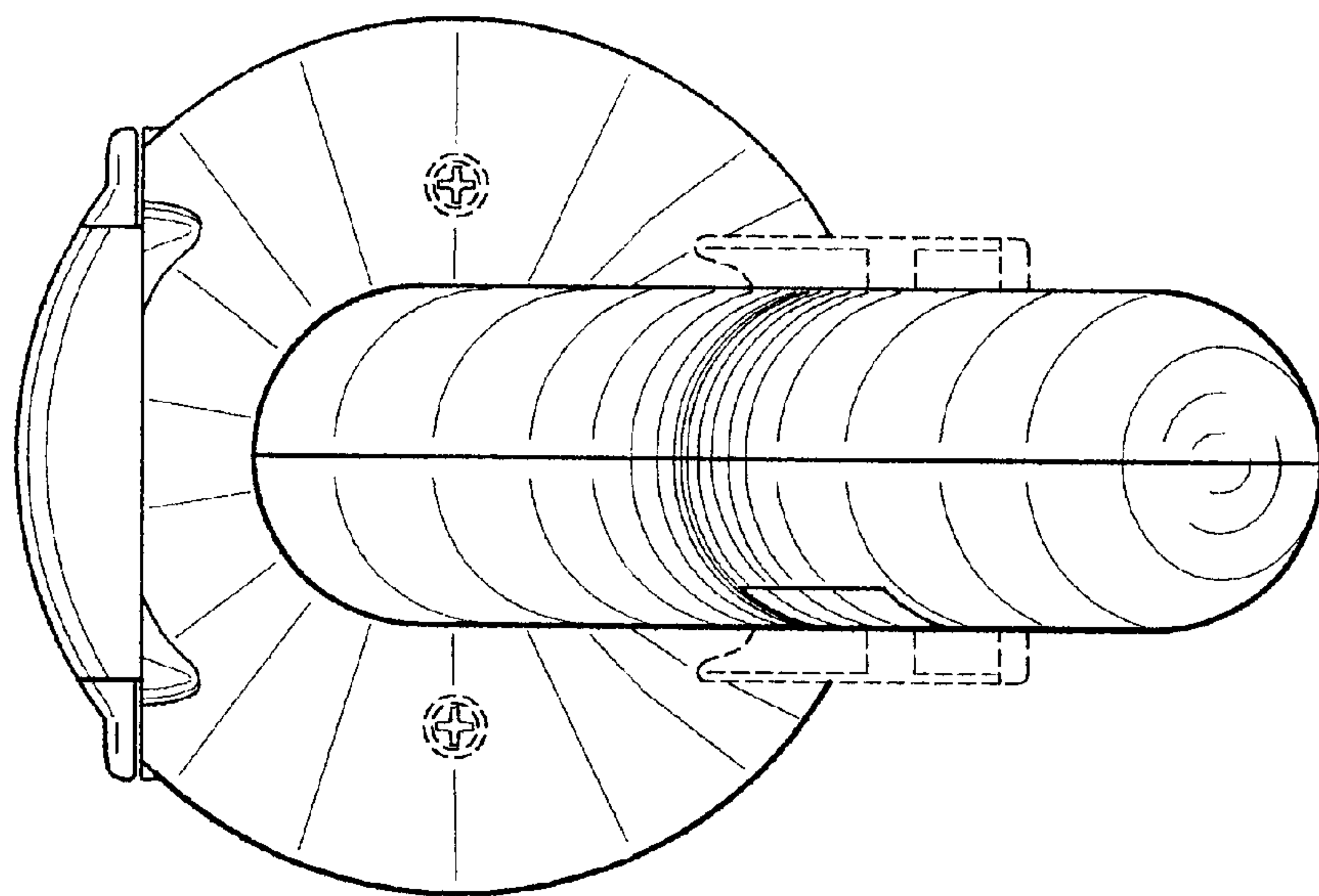


FIG. 7