

US00D502566S

(12) **United States Design Patent**
Tsai

(10) **Patent No.:** **US D502,566 S**
(45) **Date of Patent:** **** Mar. 1, 2005**

(54) **LAMP HOLDER**

(75) Inventor: **Peter Tsai**, Taipei (TW)

(73) Assignee: **Pollux Lighting Inc.**, Tortola (VG)

(**) Term: **14 Years**

(21) Appl. No.: **29/186,587**

(22) Filed: **Jul. 21, 2003**

(51) **LOC (7) Cl.** **26-99**

(52) **U.S. Cl.** **D26/138**

(58) **Field of Search** D26/63, 65, 113,
D26/138; 362/413, 418, 419, 382, 427

(56) **References Cited**

U.S. PATENT DOCUMENTS

- D375,377 S * 11/1996 Leen D26/63
- D426,670 S * 6/2000 Leen D26/138
- D441,491 S * 5/2001 Leen D26/138

* cited by examiner

Primary Examiner—Jennifer Rivard

(74) *Attorney, Agent, or Firm*—Rosenberg, Klein & Lee

(57) **CLAIM**

The ornamental design for a lamp holder, as shown and described.

DESCRIPTION

FIG. 1 is a perspective view of a lamp holder, showing my new design;

FIG. 2 is a front elevational view thereof;

FIG. 3 is a rear elevational view thereof;

FIG. 4 is a left elevational view thereof;

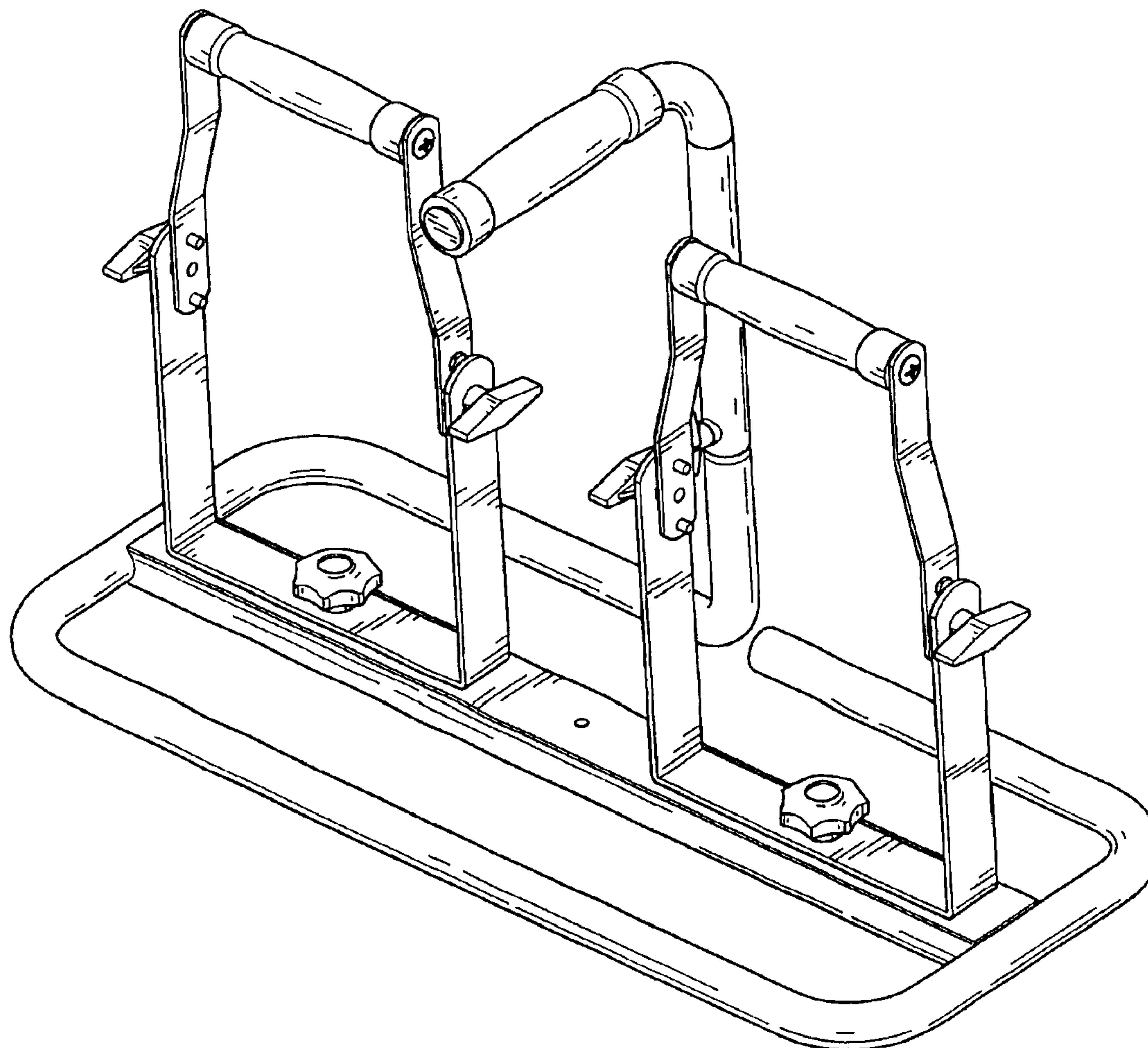
FIG. 5 is a right elevational view thereof;

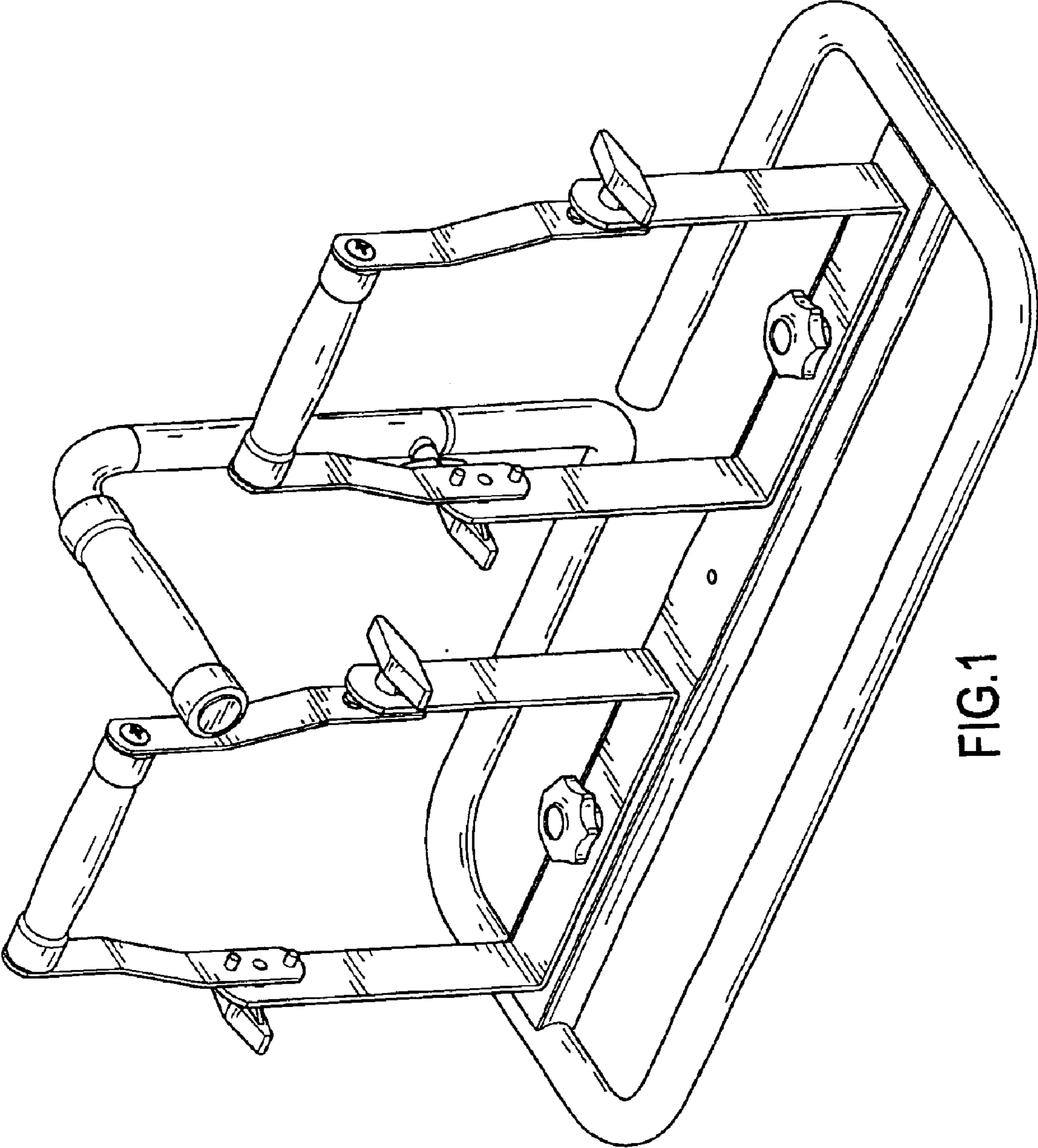
FIG. 6 is top plan view thereof;

FIG. 7 is a bottom plan view thereof; and,

FIG. 8 is a schematic view showing two working lights are retained by the lamp holder, wherein the two working lights shown in broken lines are for illustrative purpose only and form no part of the claimed design.

1 Claim, 8 Drawing Sheets





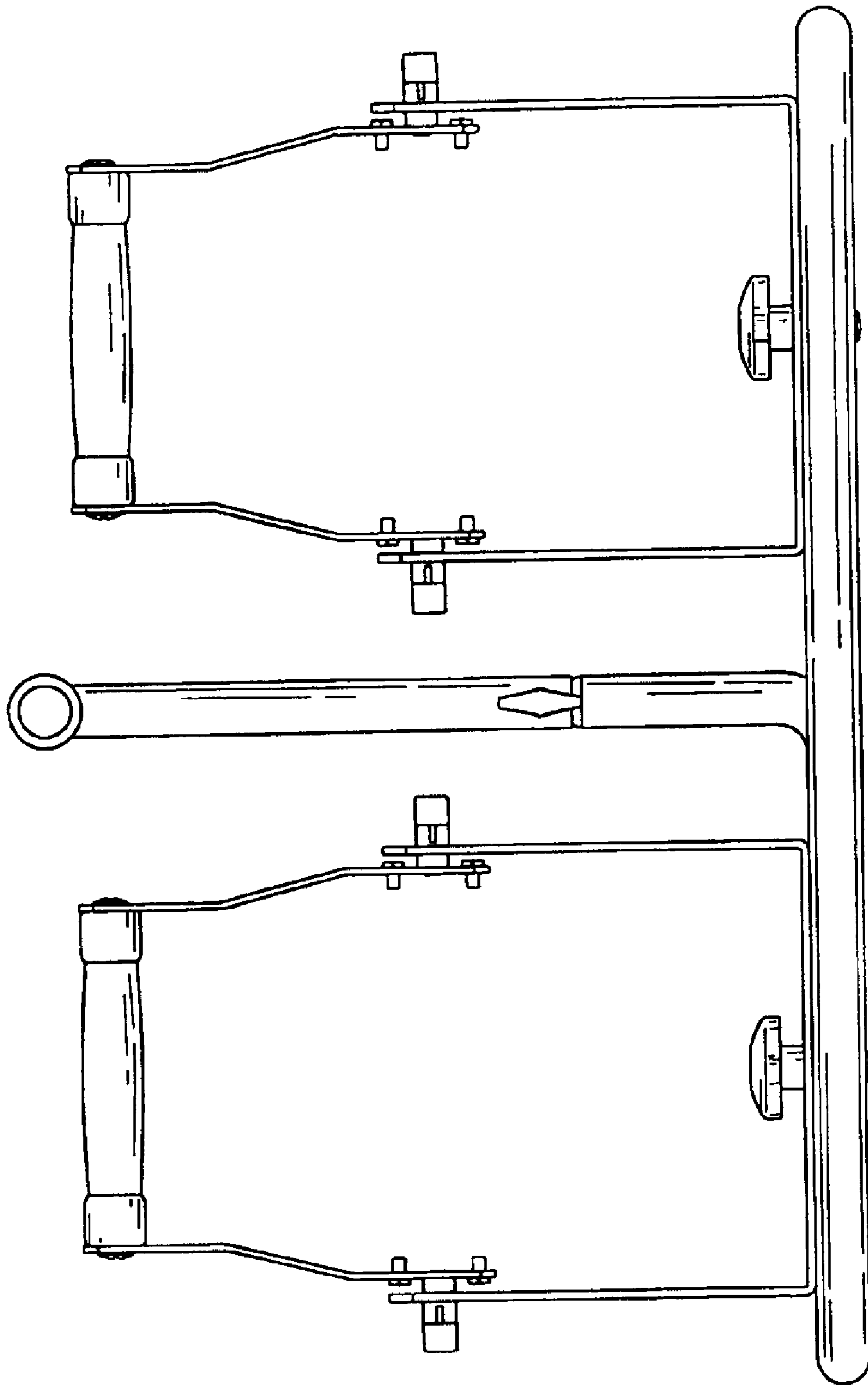


FIG.2

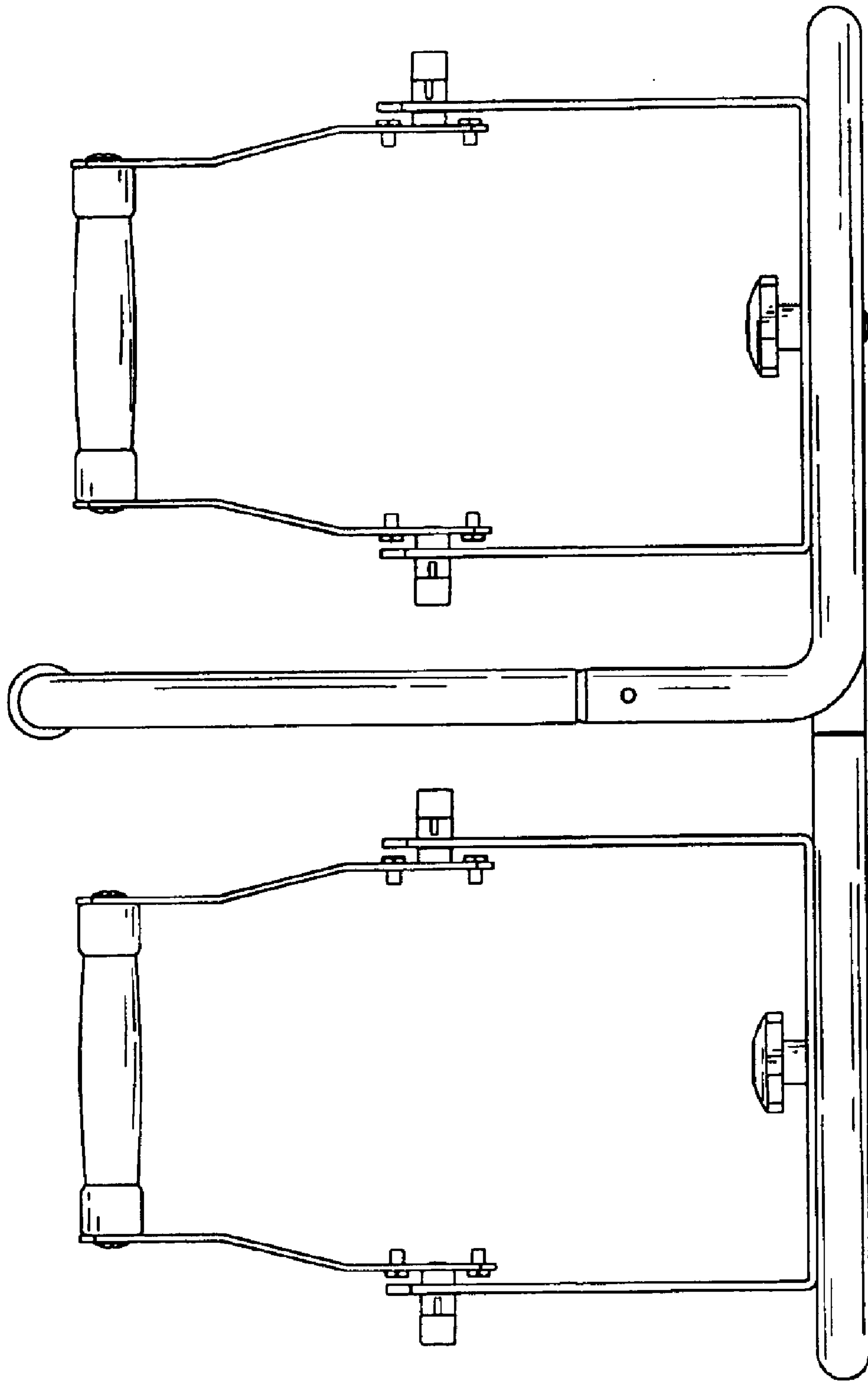


FIG.3

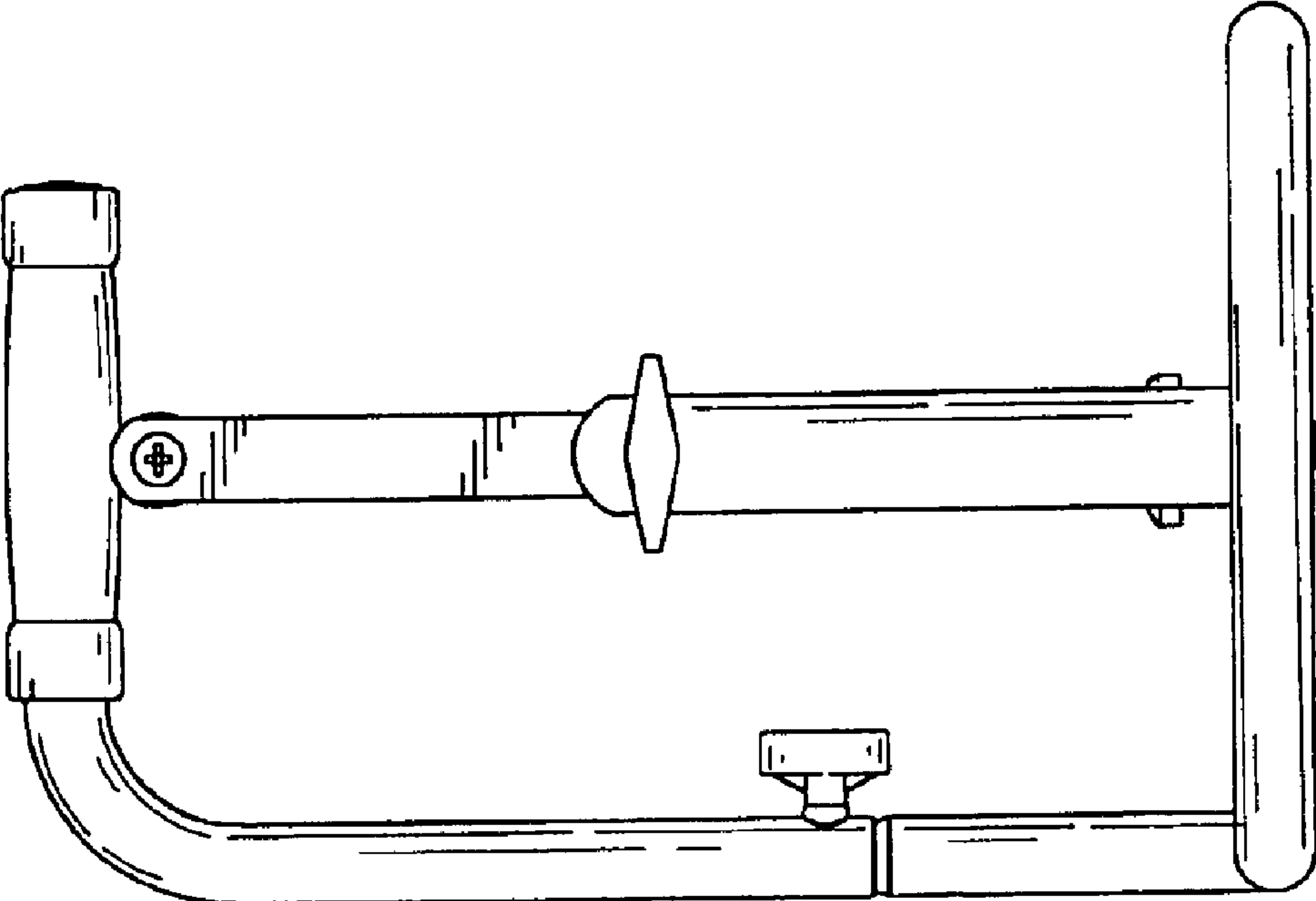


FIG.4

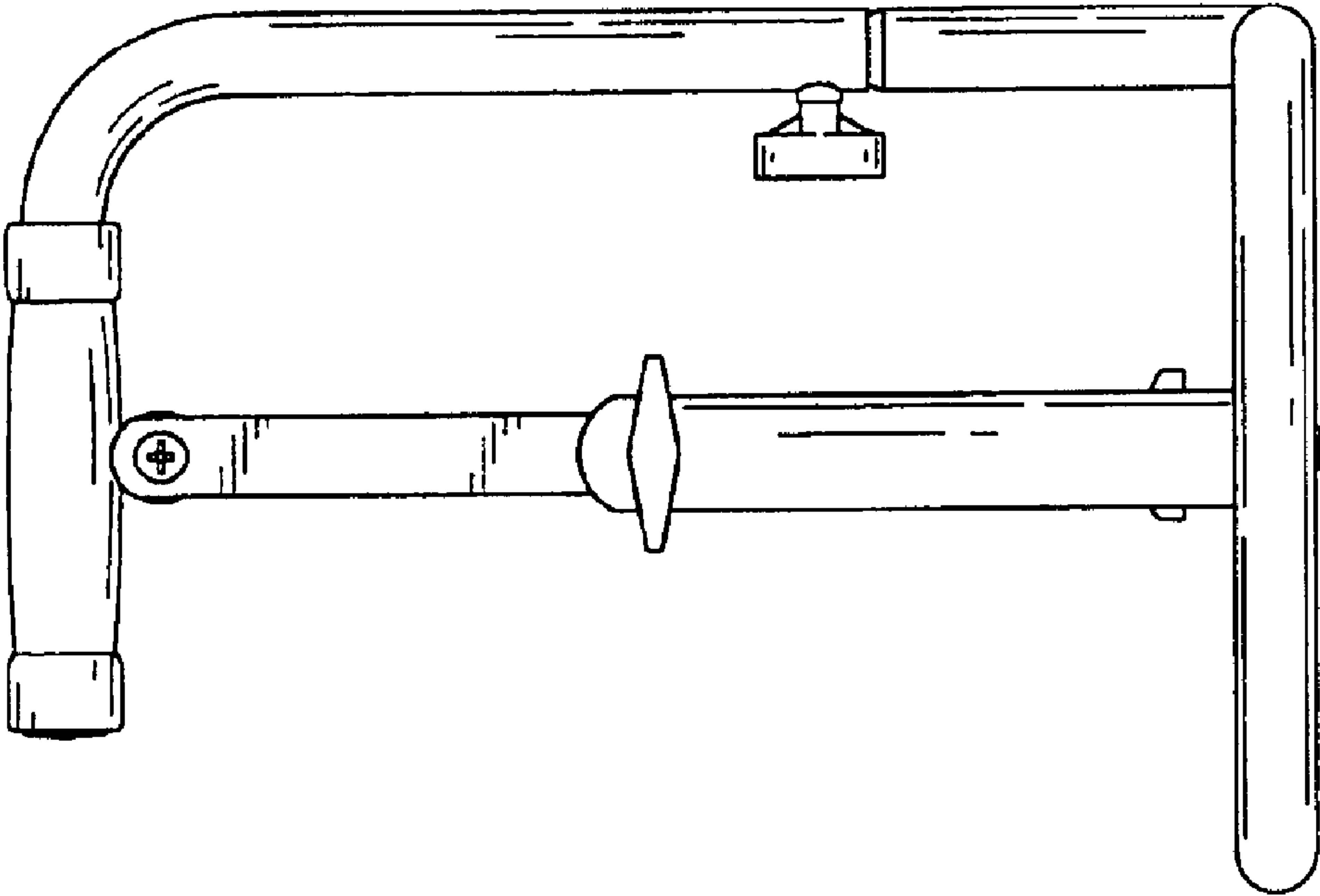


FIG.5

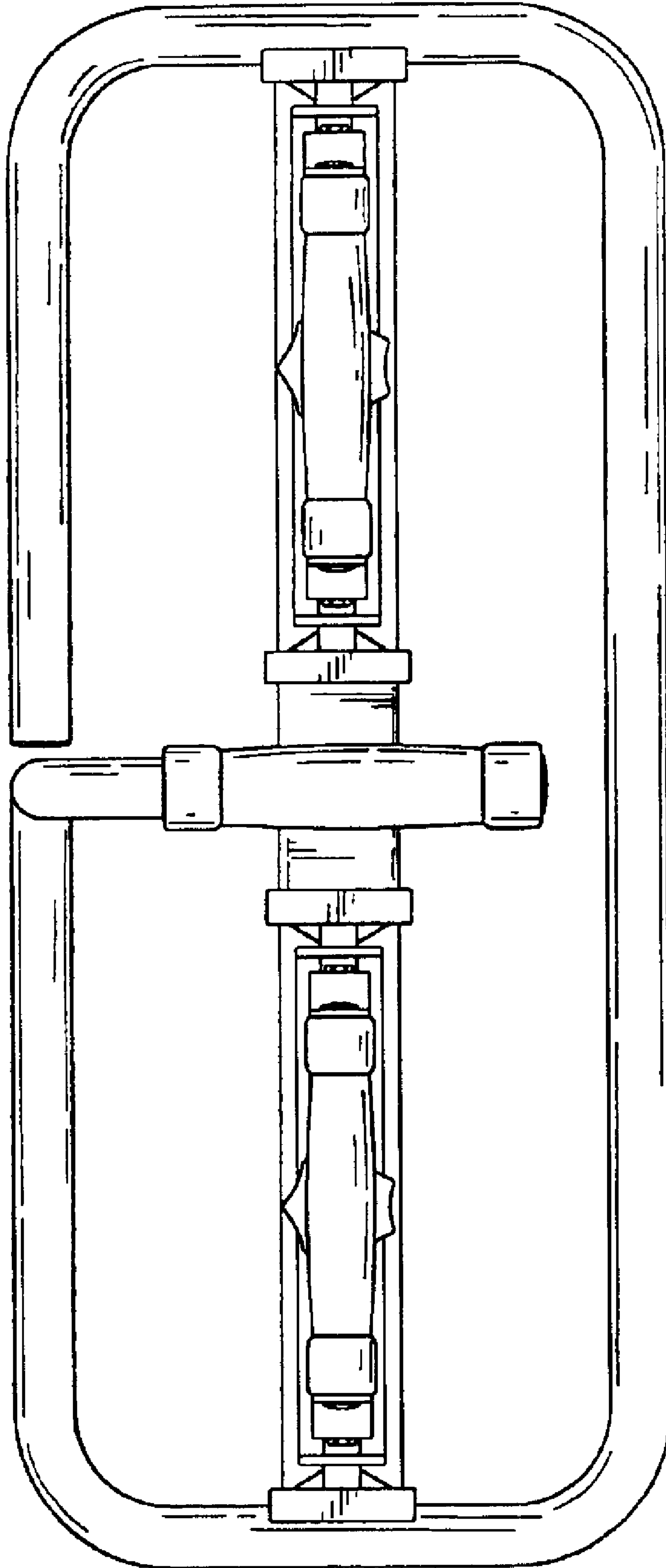


FIG.6

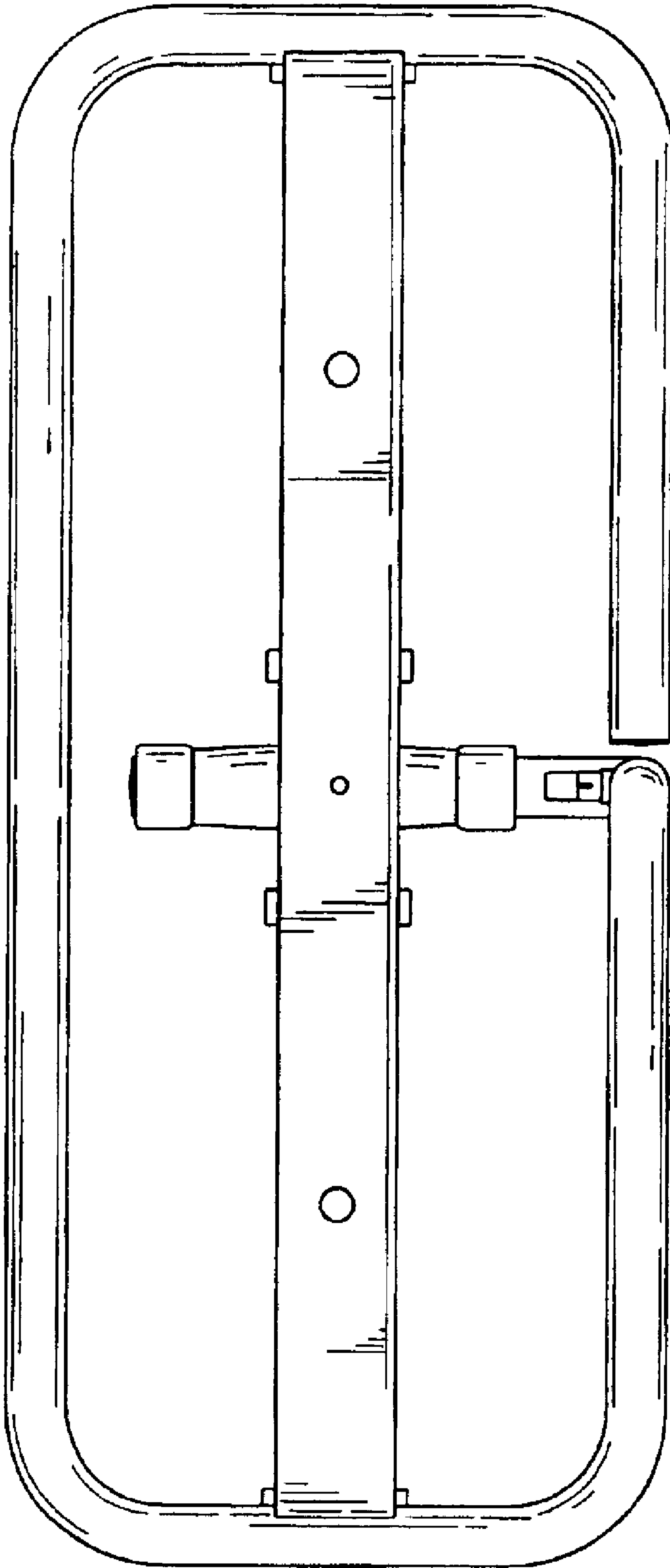


FIG.7

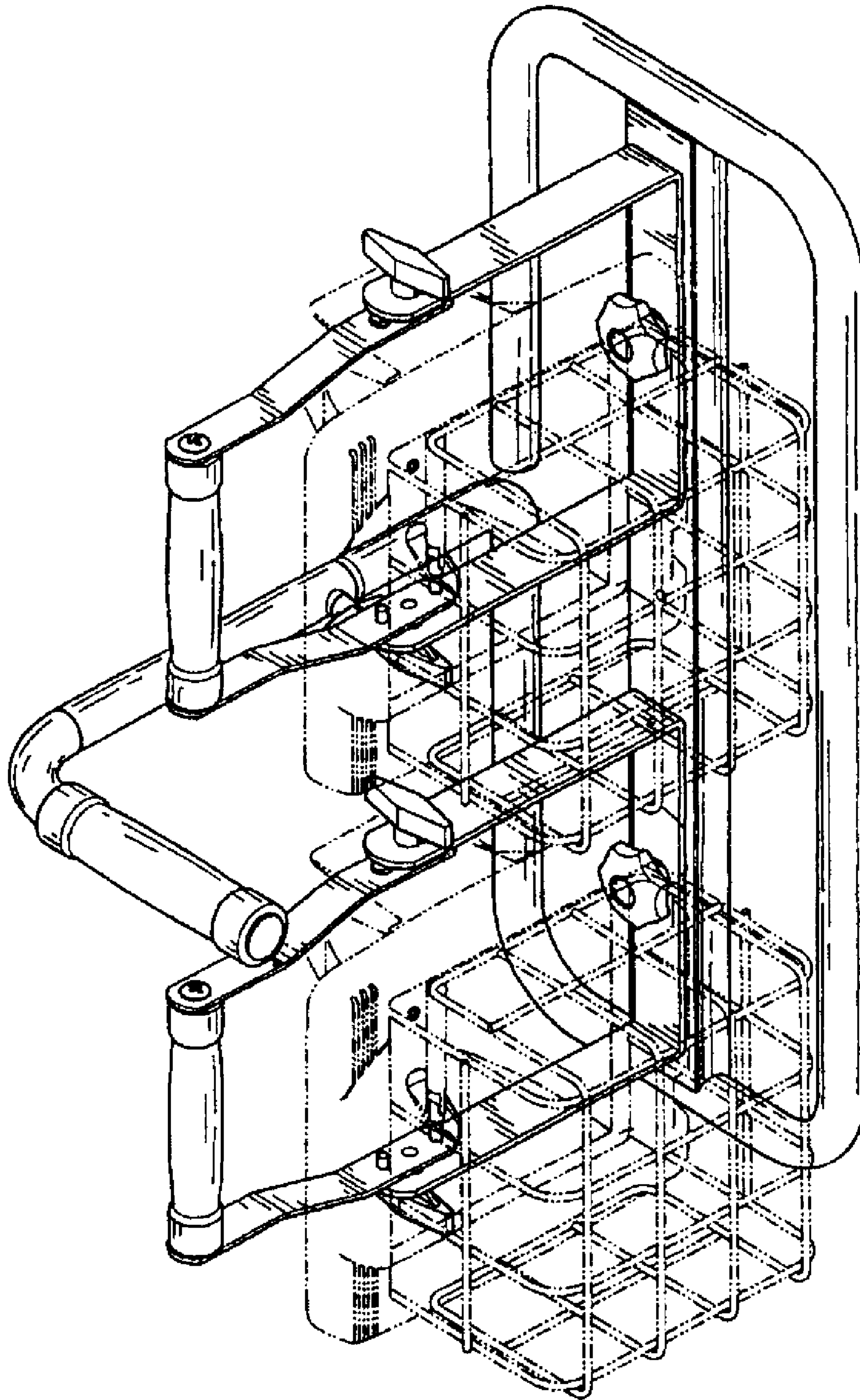


FIG. 8