

US00D502563S

(12) **United States Design Patent**  
**Otto et al.**

(10) **Patent No.:** **US D502,563 S**  
(45) **Date of Patent:** **\*\* Mar. 1, 2005**

(54) **FRONT LIGHT TO AN AUTOMOBILE**

D476,432 S \* 6/2003 Lin ..... D26/28  
D483,890 S \* 12/2003 Lin ..... D26/28

(75) Inventors: **Henrik Otto**, Göteborg (SE); **Fedde Talsma**, Rotterdam (NL); **Alsed Briscoe**, Göteborg (SE)

\* cited by examiner

(73) Assignee: **Ford Global Technologies, LLC.**, Dearborn, MI (US)

*Primary Examiner*—Marcus A. Jackson  
(74) *Attorney, Agent, or Firm*—Albihns Stockholm AB

(\*\*) Term: **14 Years**

(57) **CLAIM**

(21) Appl. No.: **29/197,721**

The ornamental design for a front light to an automobile, as shown and described.

(22) Filed: **Jan. 21, 2004**

**DESCRIPTION**

(30) **Foreign Application Priority Data**

Jul. 25, 2003 (SE) ..... 03-0700

FIG. 1 is a front elevational view, according to our new design;

(51) **LOC (7) Cl.** ..... **26-06**

FIG. 2 is a rear elevational view thereof;

(52) **U.S. Cl.** ..... **D26/28**

FIG. 3 is a top view thereof, looking directly down;

(58) **Field of Search** ..... D26/28-36; 362/457-468, 362/475-478, 485-487

FIG. 4 is a bottom view thereof, looking directly up;

FIG. 5 is a right side elevational view thereof;

FIG. 6 is a left side elevational view thereof;

FIG. 7 is a right side perspective view thereof; and,

FIG. 8 is a left side perspective view thereof.

(56) **References Cited**

**U.S. PATENT DOCUMENTS**

D464,449 S \* 10/2002 Yang ..... D26/28

**1 Claim, 8 Drawing Sheets**

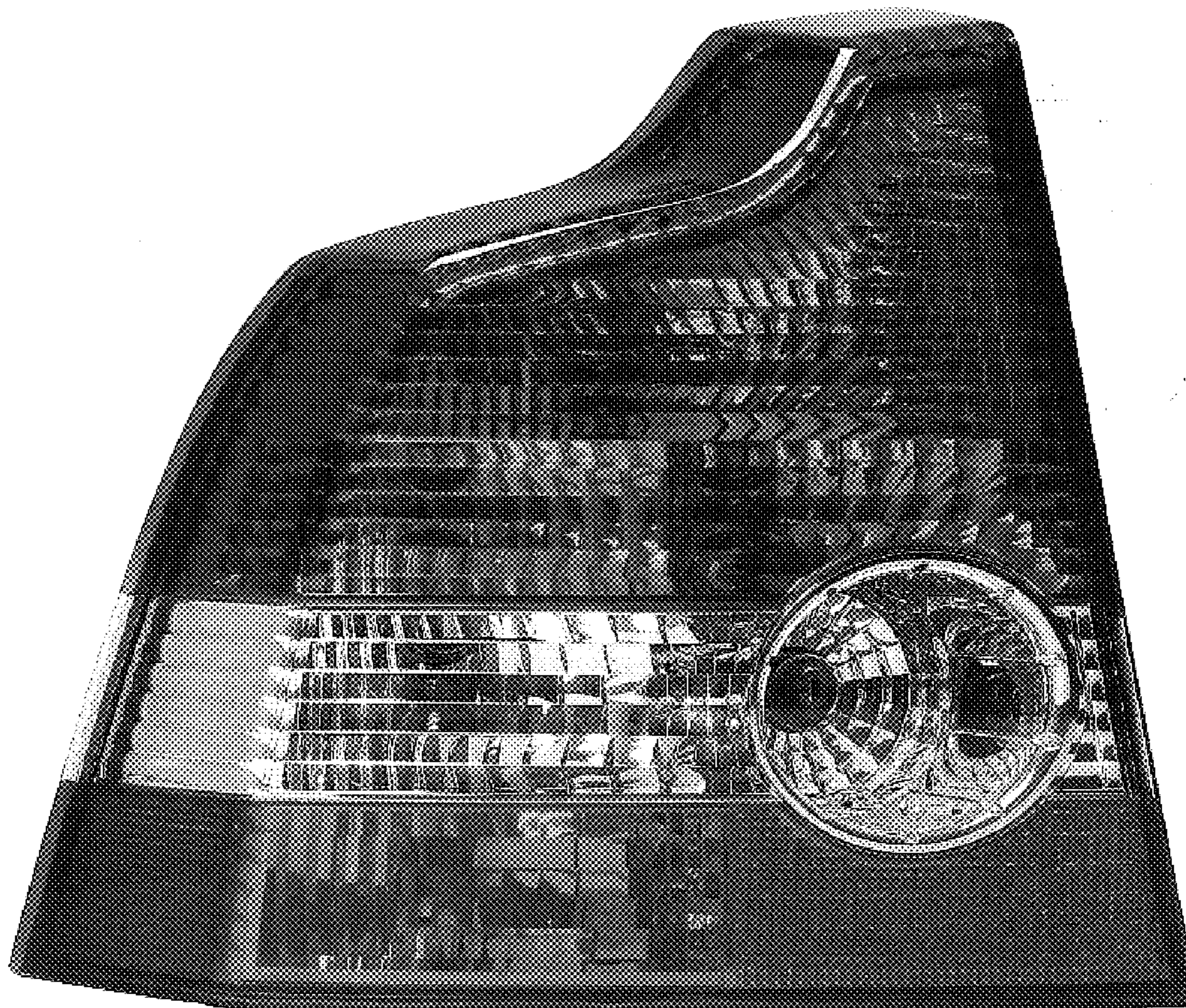




FIG. 1

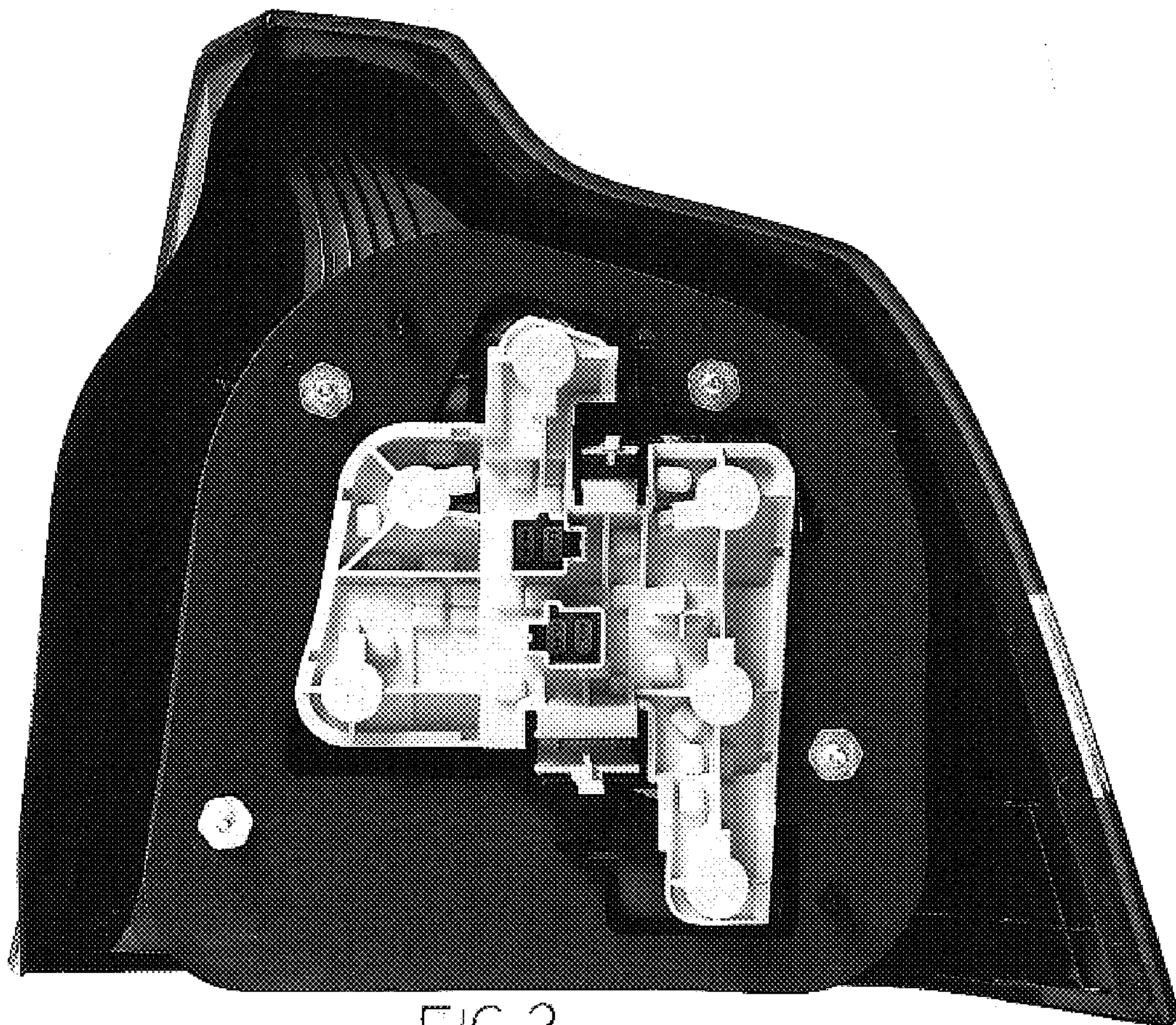


FIG. 2

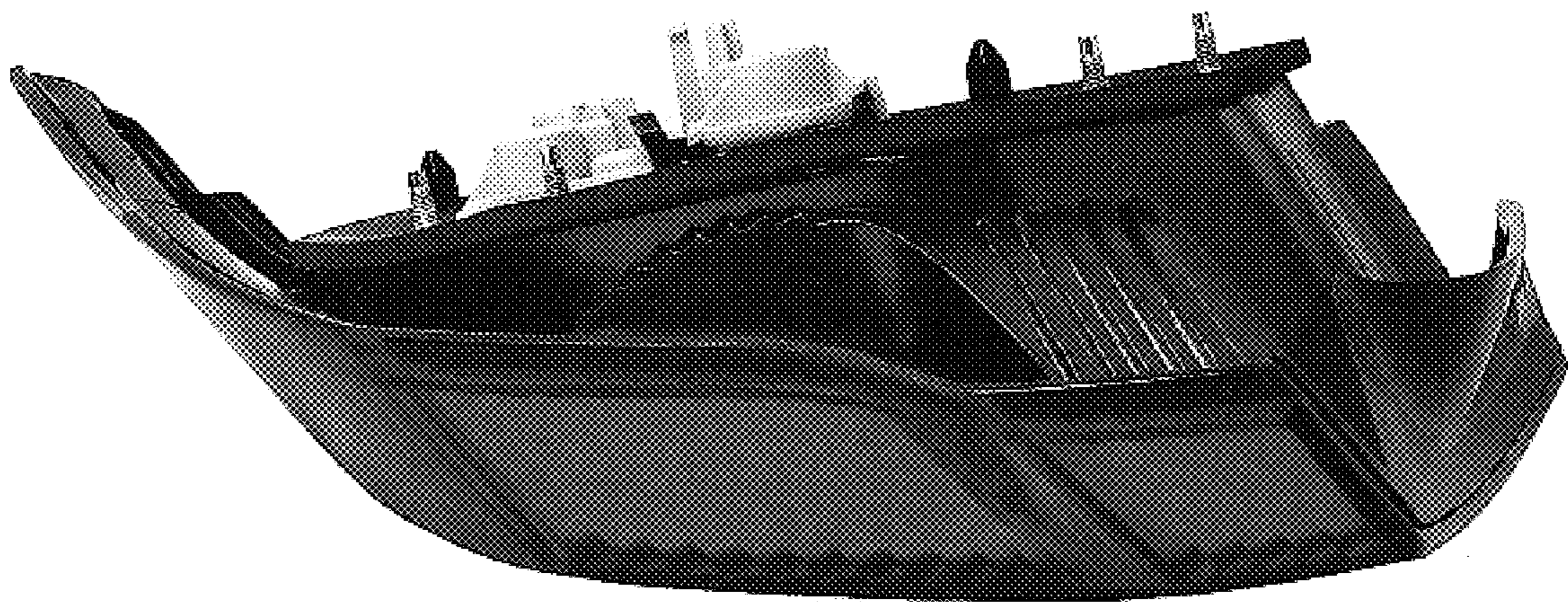


FIG.3

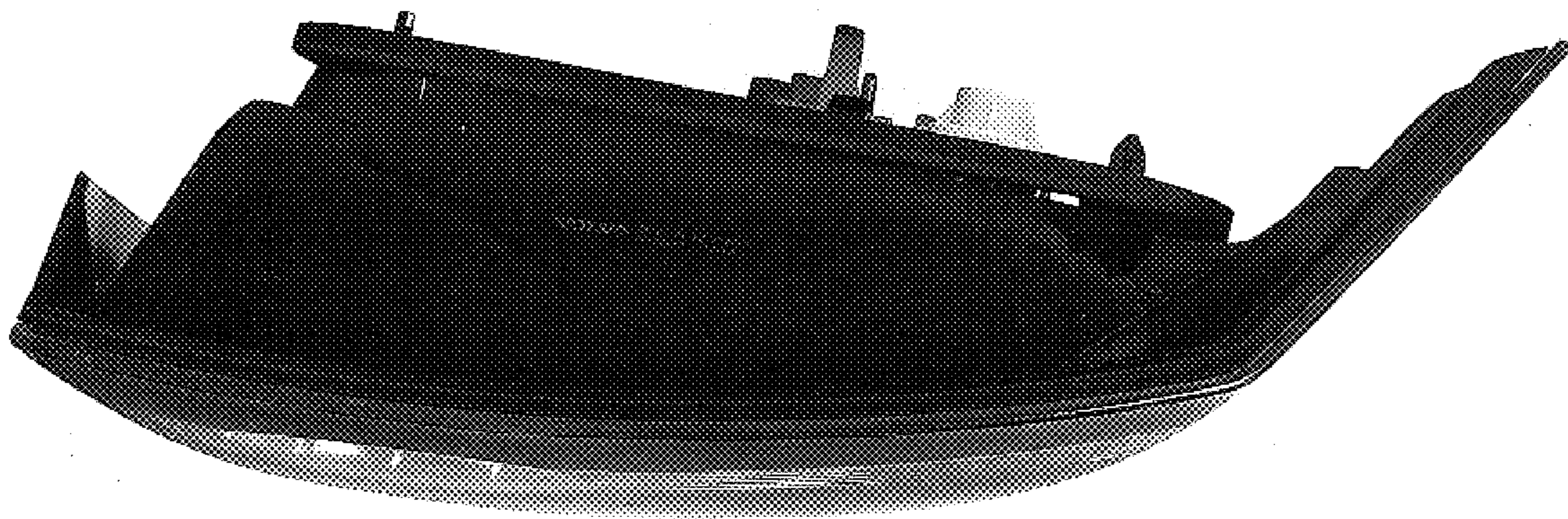


FIG.4

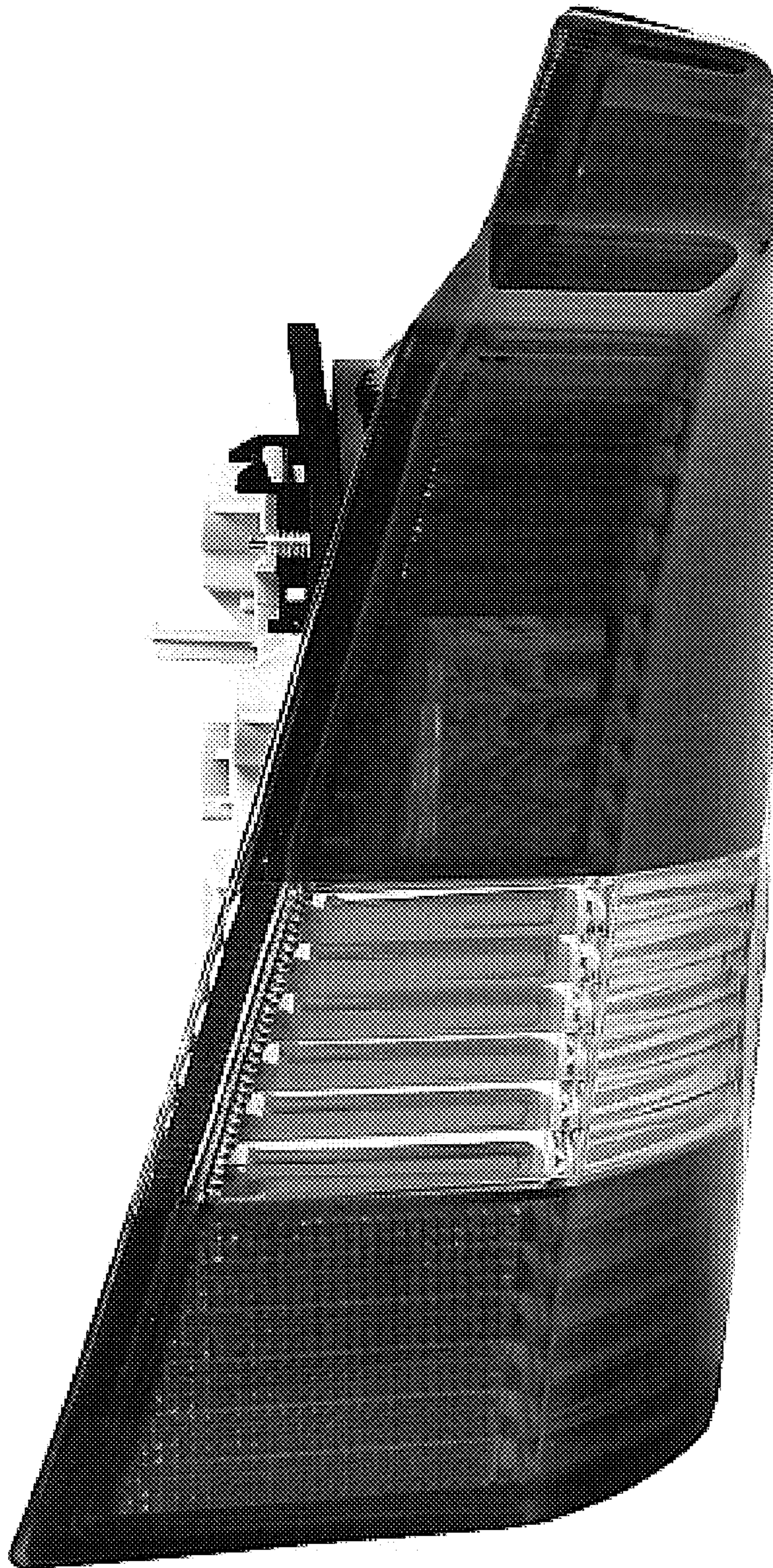


FIG. 5



FIG. 6

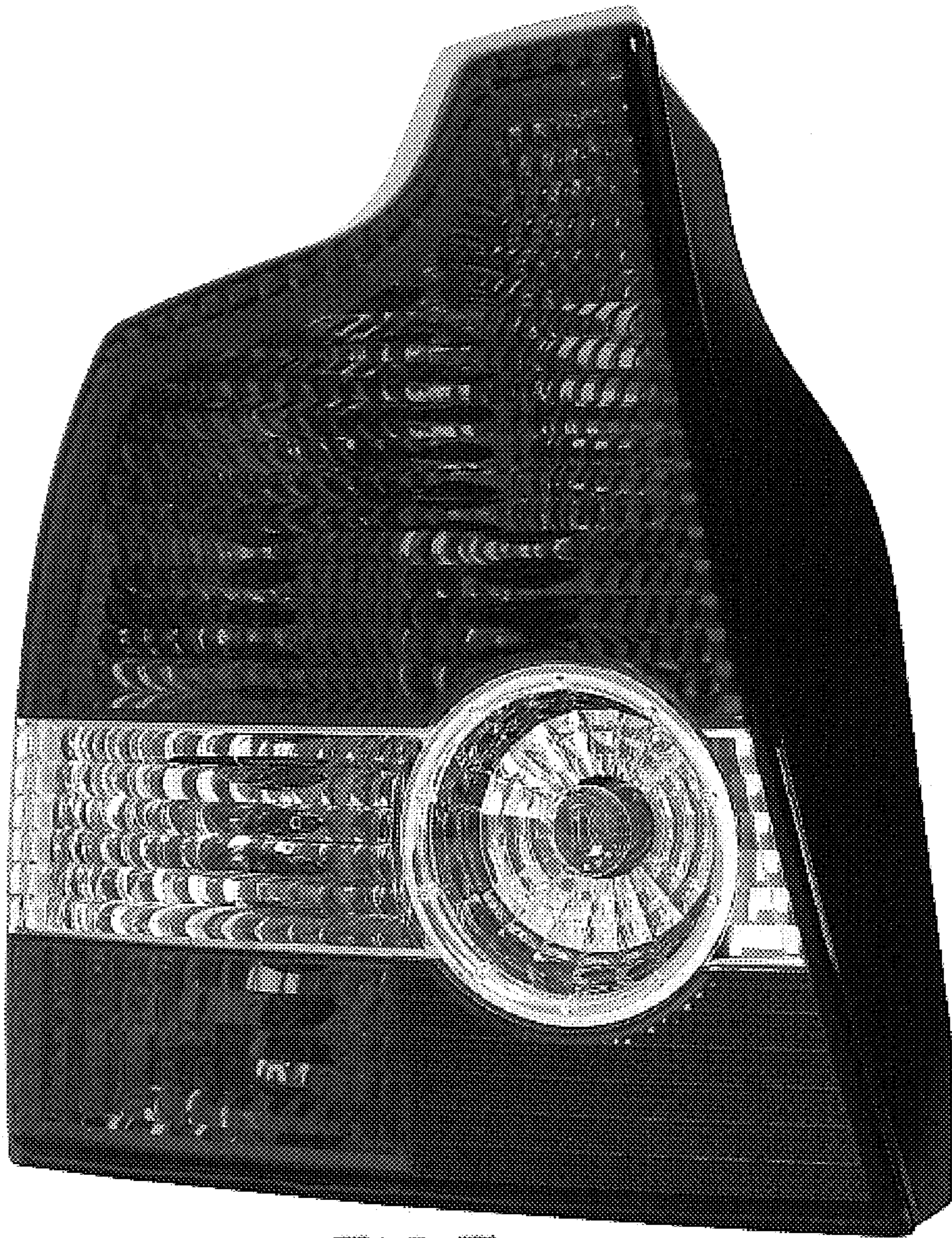


FIG. 7





FIG.8