

US00D502555S

(12) **United States Design Patent**
Fannan

(10) **Patent No.:** **US D502,555 S**

(45) **Date of Patent:** **** Mar. 1, 2005**

(54) **WINDOW COMPONENT EXTRUSION 8630**

(56) **References Cited**

U.S. PATENT DOCUMENTS

(75) **Inventor:** **Michael R. Fannan**, Pecatonica, IL
(US)

D404,149 S * 1/1999 Jarrell D25/124

* cited by examiner

(73) **Assignee:** **Mikron Industries, Inc.**, Kent, WA
(US)

Primary Examiner—Doris Clark

(74) *Attorney, Agent, or Firm*—Black Lowe & Graham
PLLC

(**) **Term:** **14 Years**

(57) **CLAIM**

The ornamental design for a window component extrusion,
as shown and described.

(21) **Appl. No.:** **29/198,306**

DESCRIPTION

(22) **Filed:** **Jan. 27, 2004**

FIG. 1 is a top right perspective view of the window
component extrusion which is broken in the center indicat-
ing indefinite length; and,

(51) **LOC (7) Cl.** **25-01**

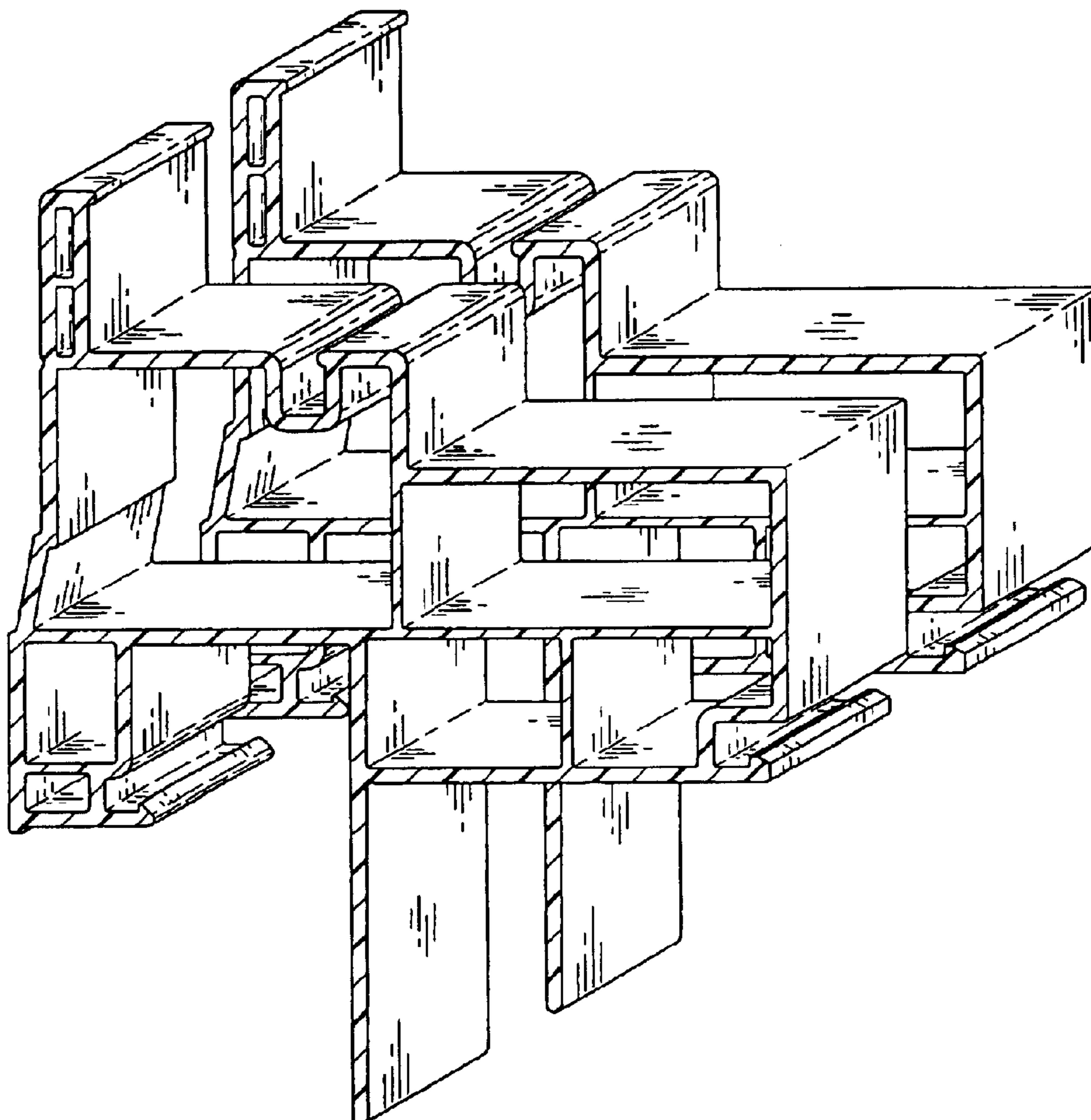
(52) **U.S. Cl.** **D25/124**

FIG. 2 is a bottom left perspective view of the window
component extrusion shown in FIG. 1.

(58) **Field of Search** D25/124, 125;

52/204.1, 204.5; 49/DIG. 2, 504

1 Claim, 2 Drawing Sheets



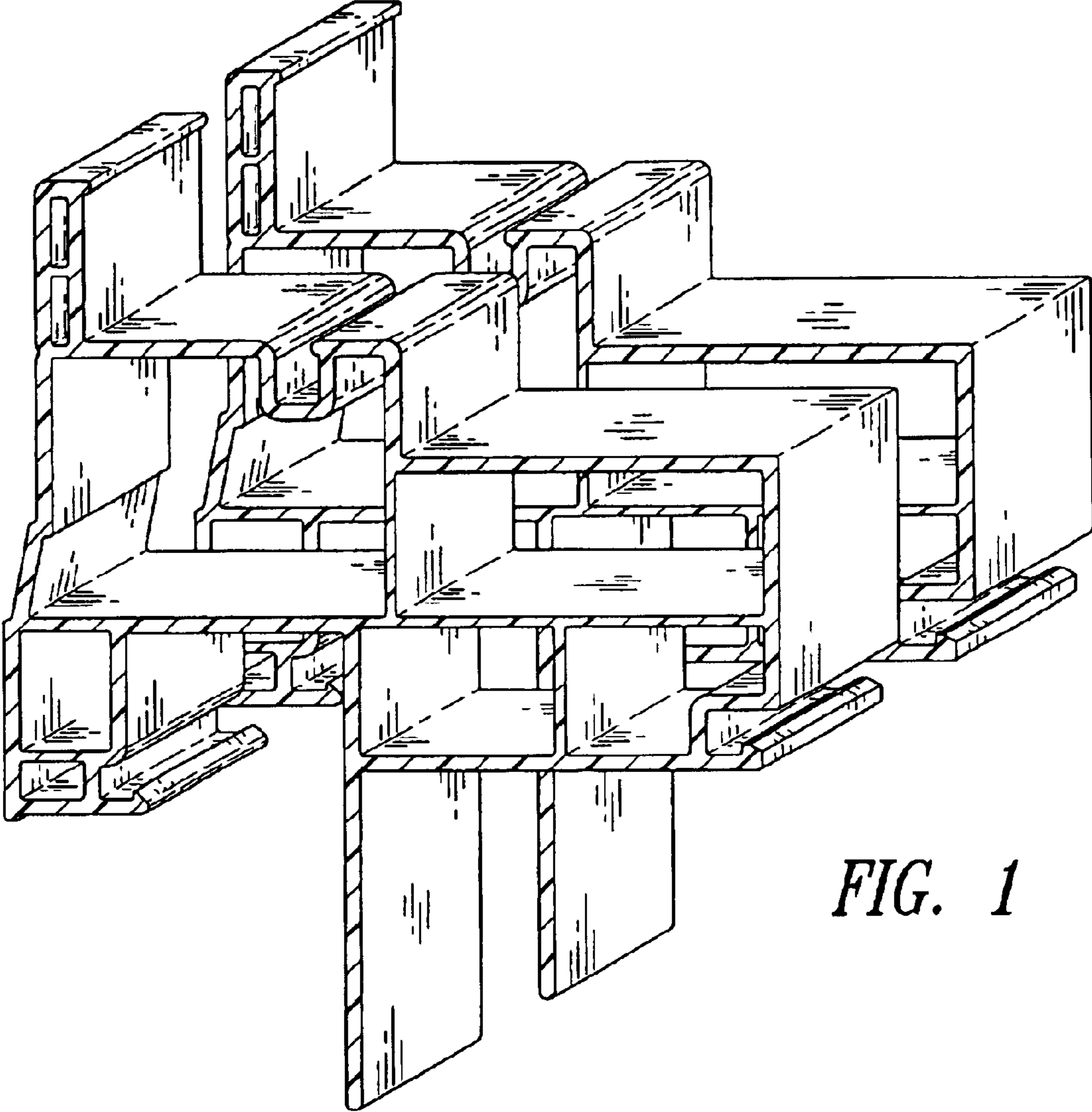


FIG. 1

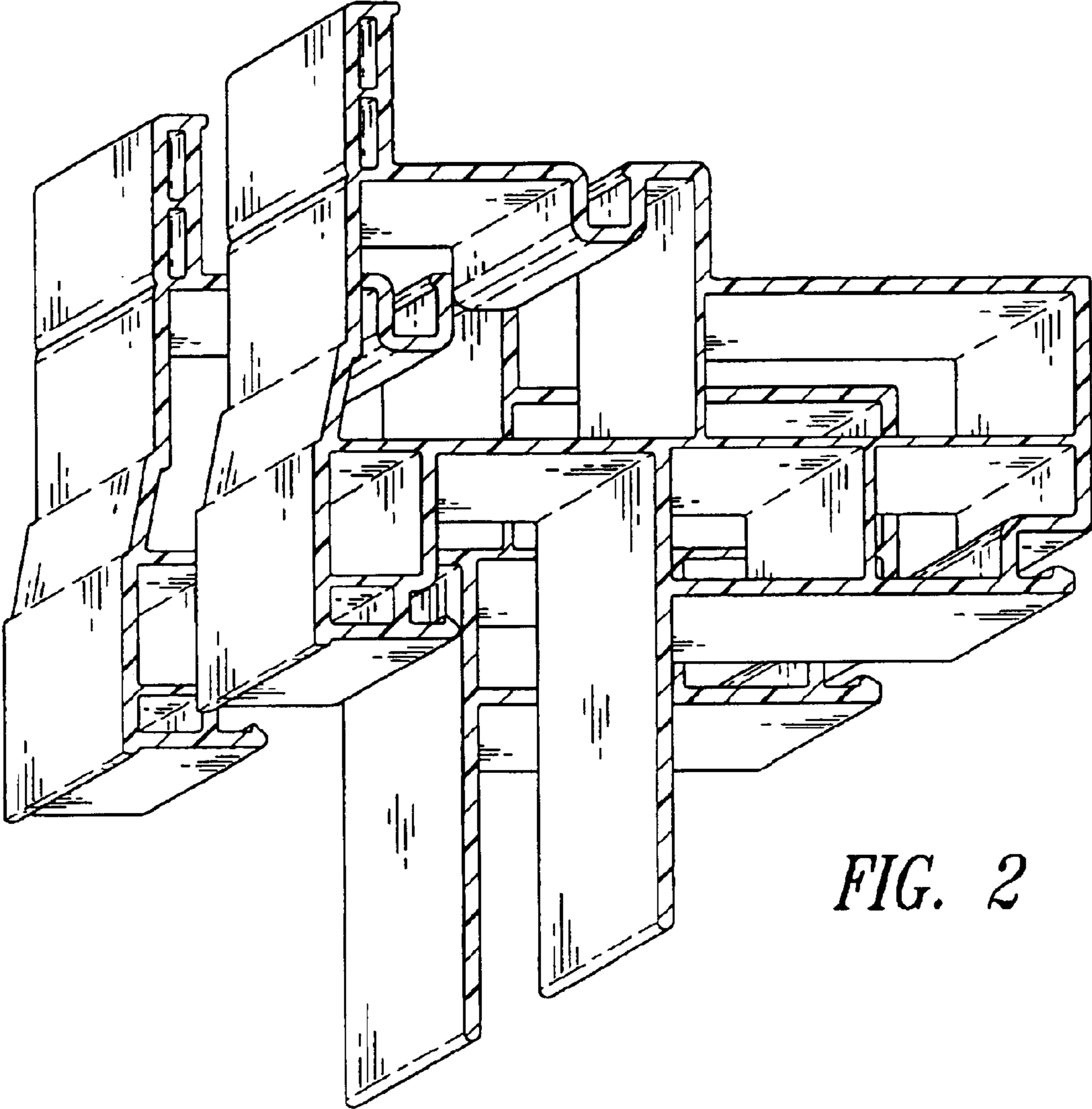


FIG. 2