

US00D502554S

(12) **United States Design Patent**
Luaces

(10) **Patent No.:** **US D502,554 S**
(45) **Date of Patent:** **** Mar. 1, 2005**

(54) **CONSTRUCTION BLOCK**

(76) **Inventor:** **Federico Luaces**, Calle 8 HIO, El Mirador, Rio Piedras, PR (US) 00926

(**) **Term:** **14 Years**

(21) **Appl. No.:** **29/186,699**

(22) **Filed:** **Jul. 22, 2003**

(51) **LOC (7) Cl.** **25-01**

(52) **U.S. Cl.** **D25/118**

(58) **Field of Search** D25/112-115,
D25/118; 405/273, 284, 286; 52/596-597,
600-601, 604-609

(56) **References Cited**

U.S. PATENT DOCUMENTS

- 4,314,431 A * 2/1982 Rabassa D25/113
- 5,285,610 A * 2/1994 Schaaf et al. 52/608
- D387,109 S * 12/1997 Winans D25/113

* cited by examiner

Primary Examiner—Robert A Delehanty

(74) *Attorney, Agent, or Firm*—Albert Bordas; Jesus Sanchelima

(57) **CLAIM**

The ornamental design for the construction block, as shown and described.

DESCRIPTION

FIG. 1 is a front perspective view;
FIG. A—A is a cut view taken from the line A—A—A—A in FIG. 1.

FIG. 2 is a front elevational view;

FIG. 3 is a back view thereof;

FIG. 4 is a right side elevational view thereof;

FIG. 5 is a left side elevational view thereof;

FIG. 6 is a top plan view thereof;

FIG. 7 is a bottom plan thereof;

FIG. 8 is a top plan view of a block shown on a reduced scale in condition of use with a plurality of like blocks thereof;

FIG. 9 is a perspective view of a block shown on a greater reduced scale in condition of use with a plurality of like blocks in a stacked configuration with reinforcement rods thereof; and,

FIG. 10 is a cut-away view of FIG. 9 thereof.

The broken lines are for environmental purposes only and form no part of the claimed design.

1 Claim, 4 Drawing Sheets

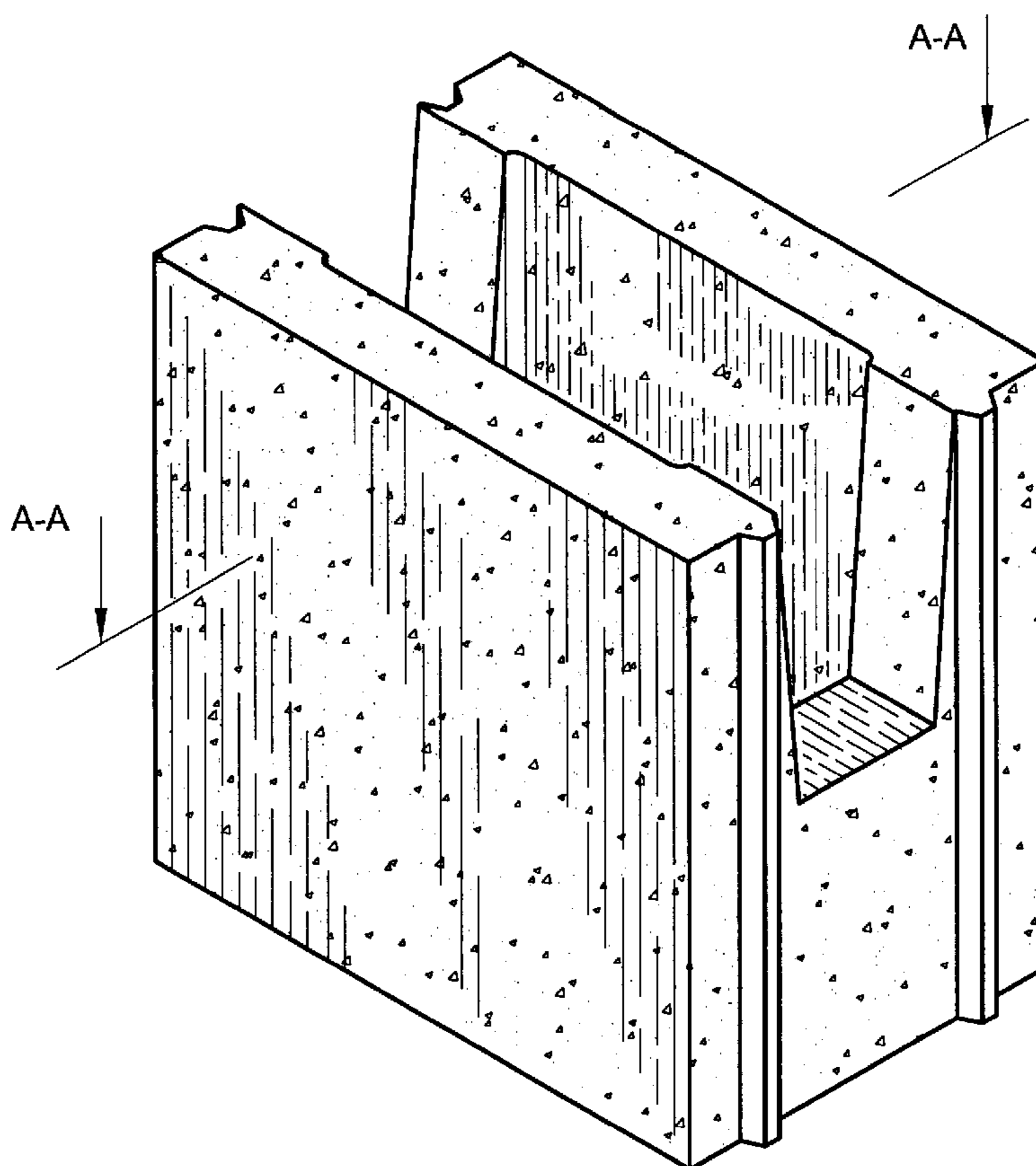
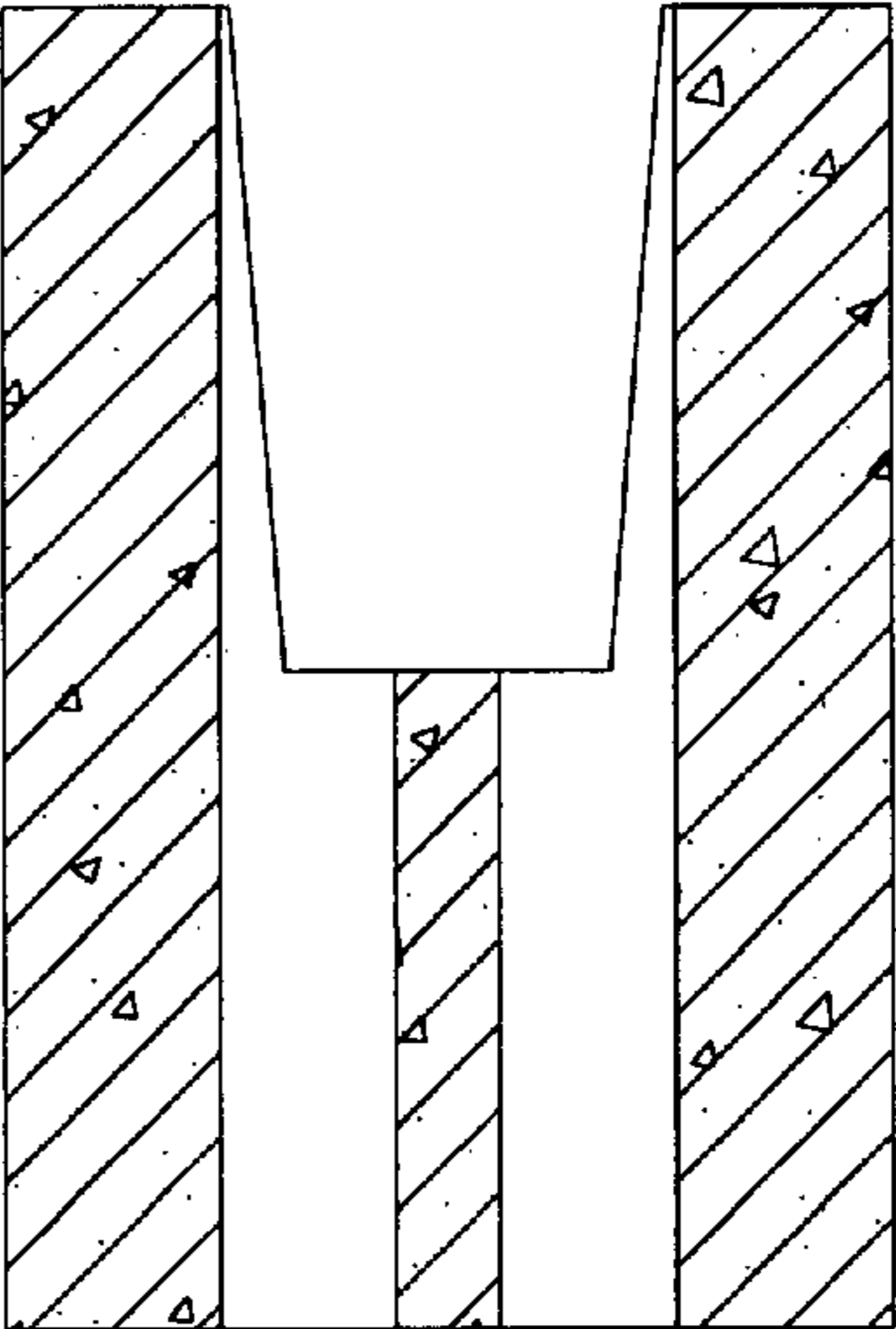
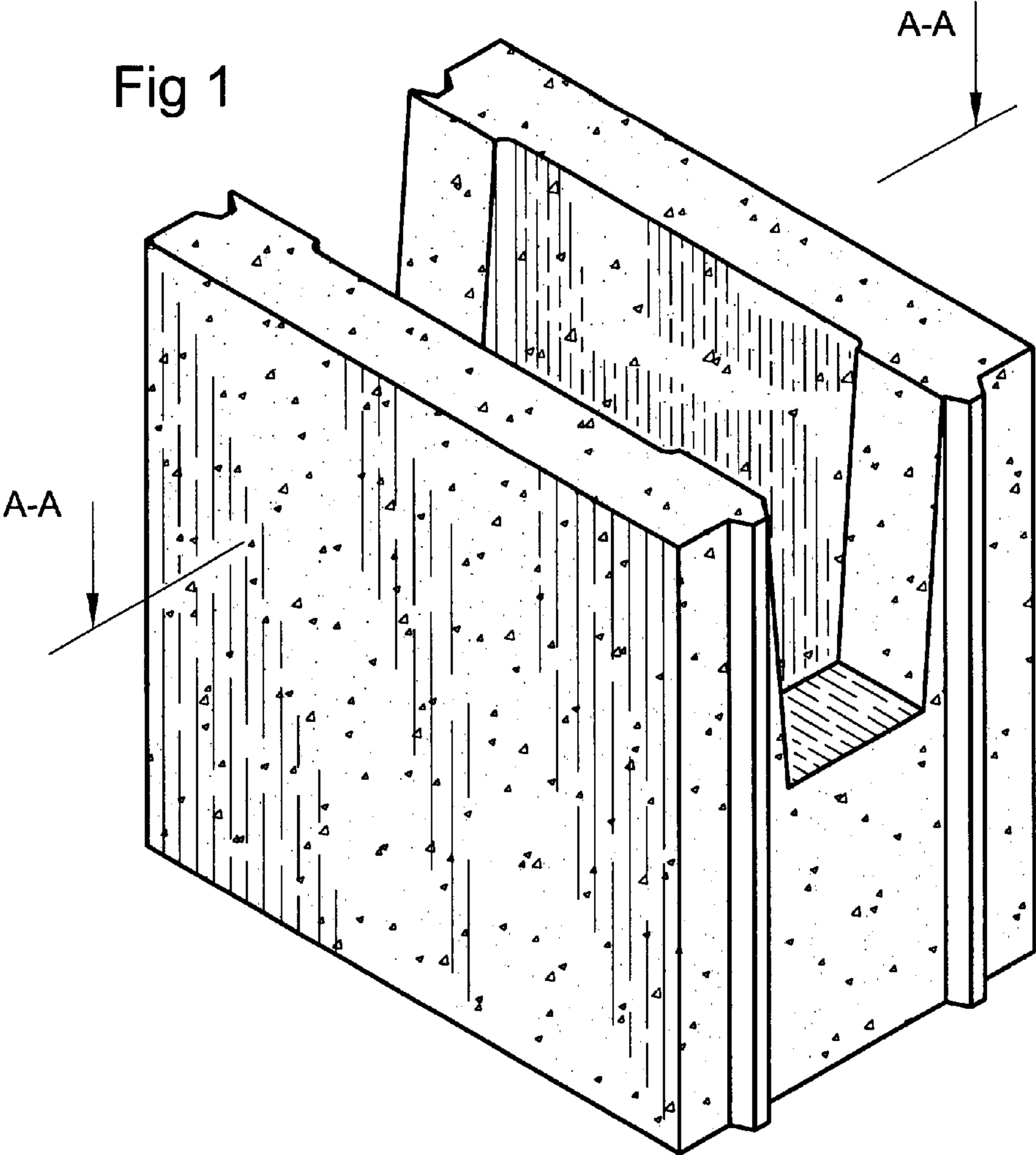


Fig 1



A-A

Fig 2

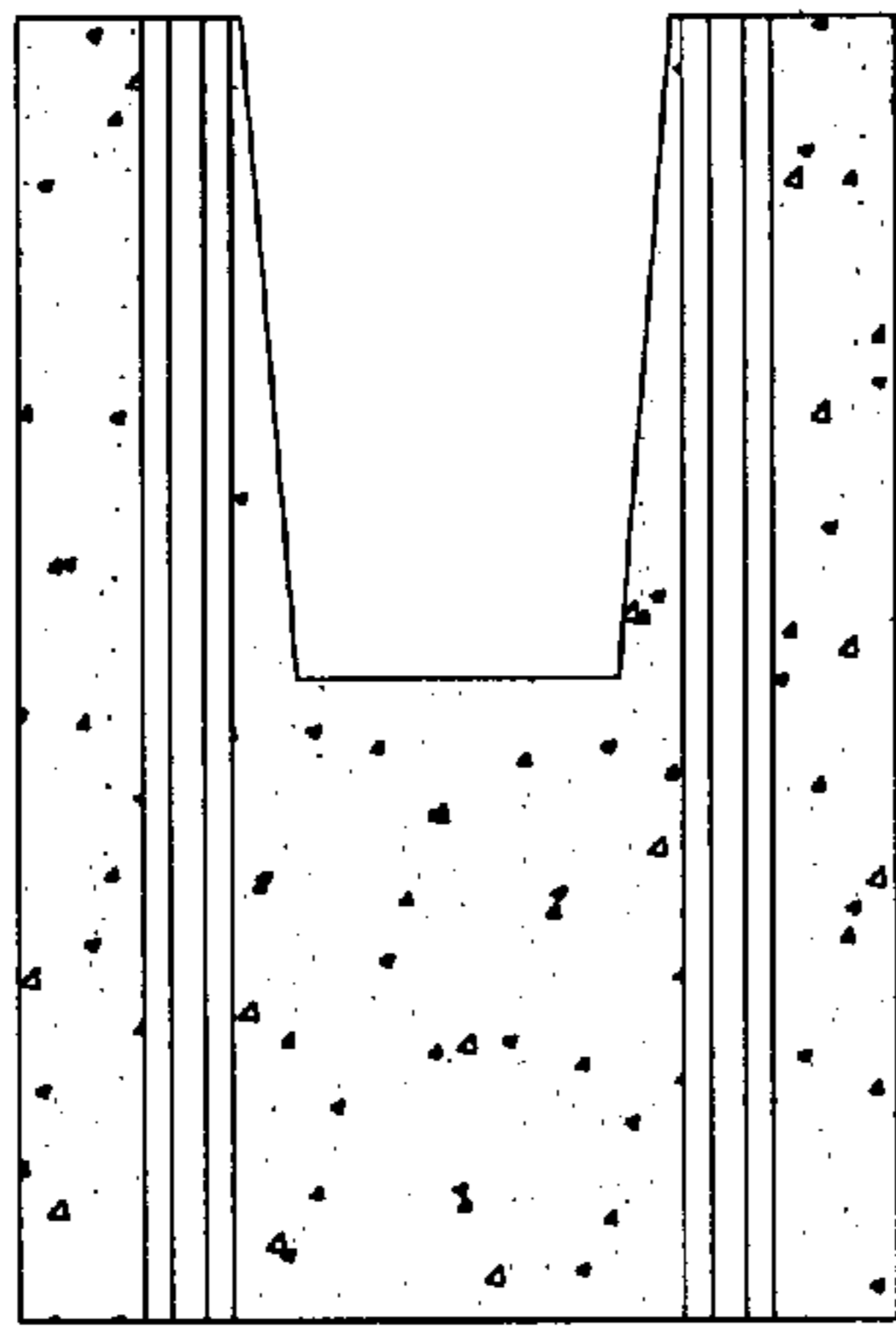


Fig 3

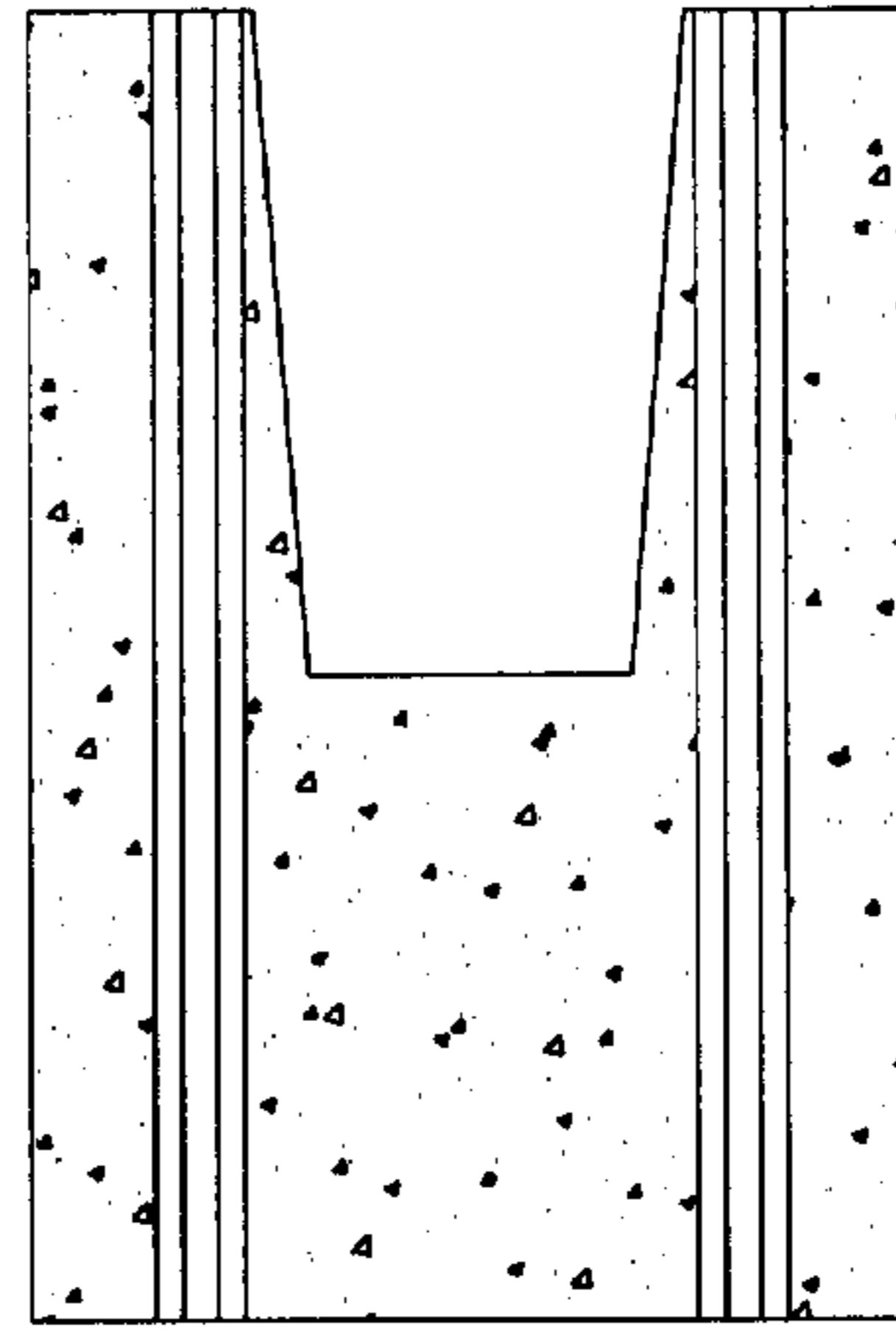


Fig 4

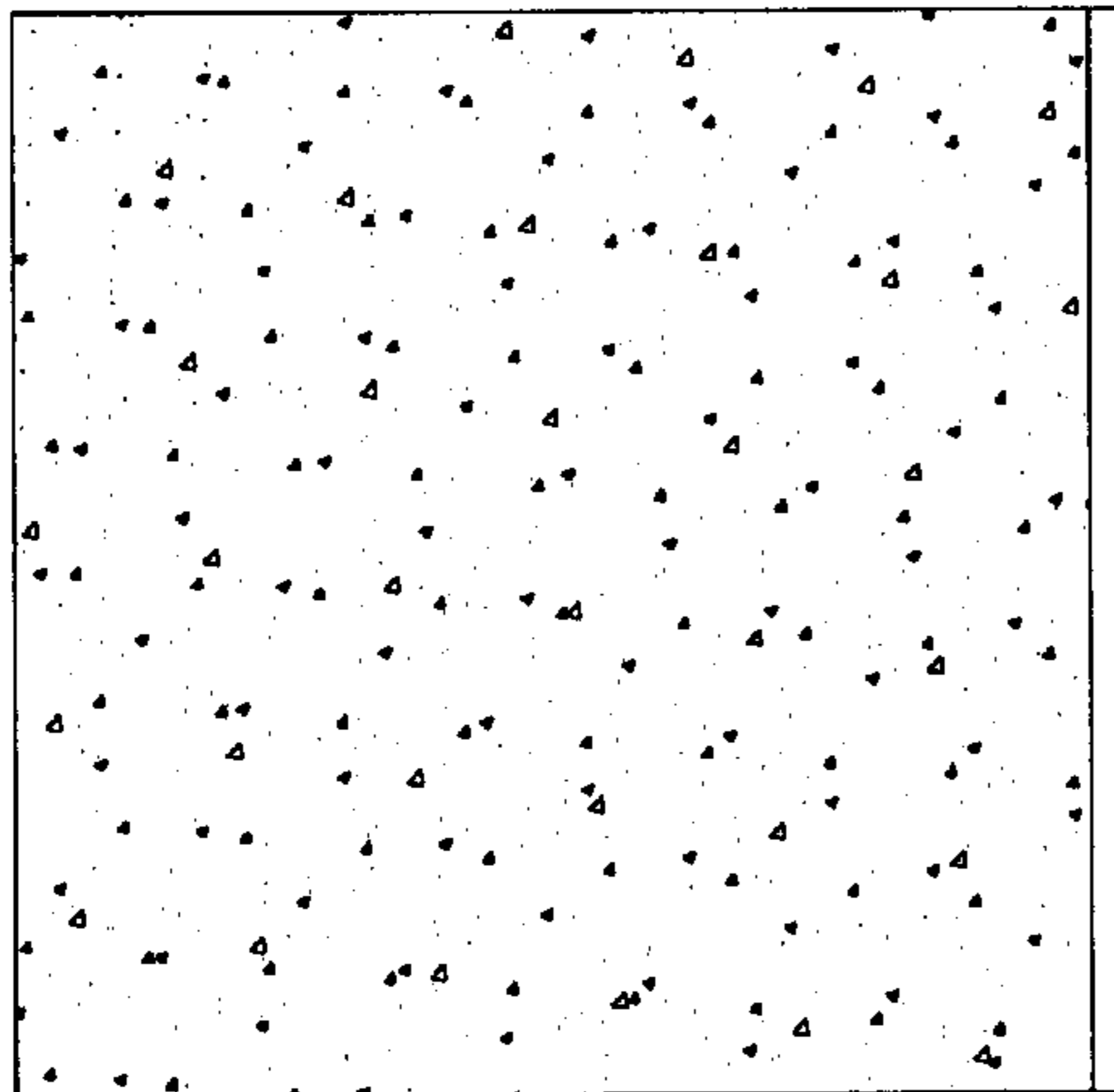


Fig 5

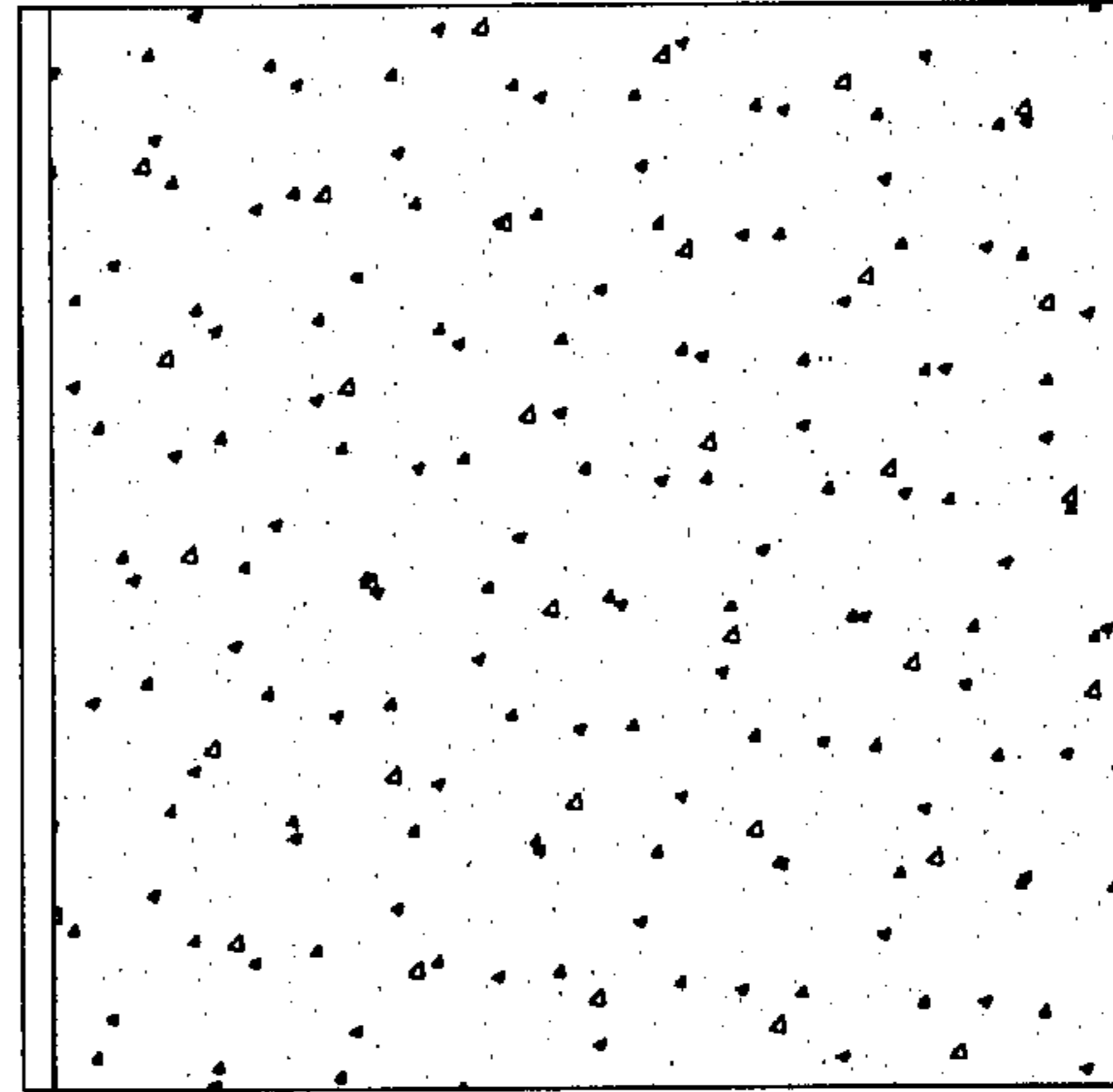


Fig 6

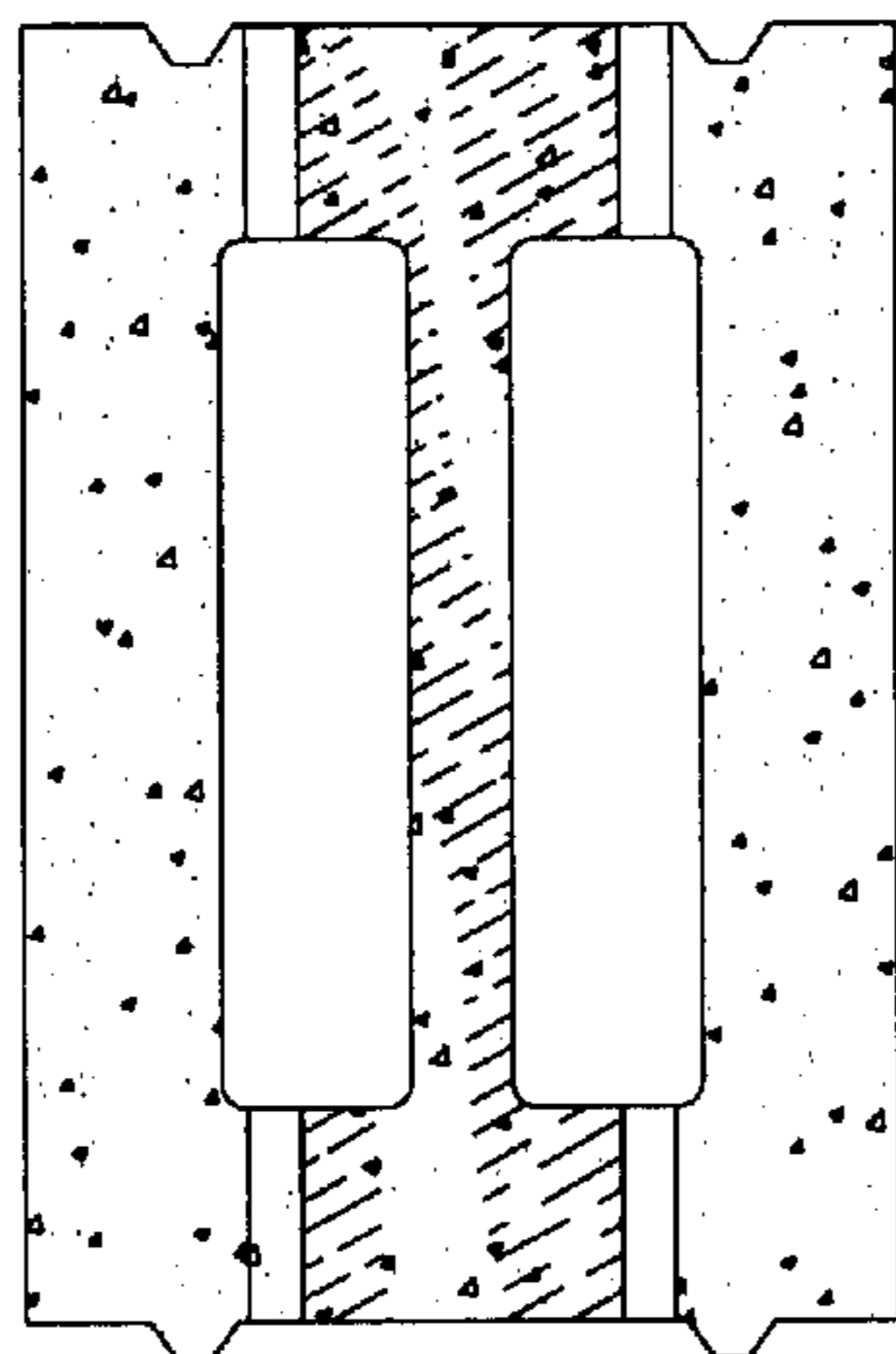
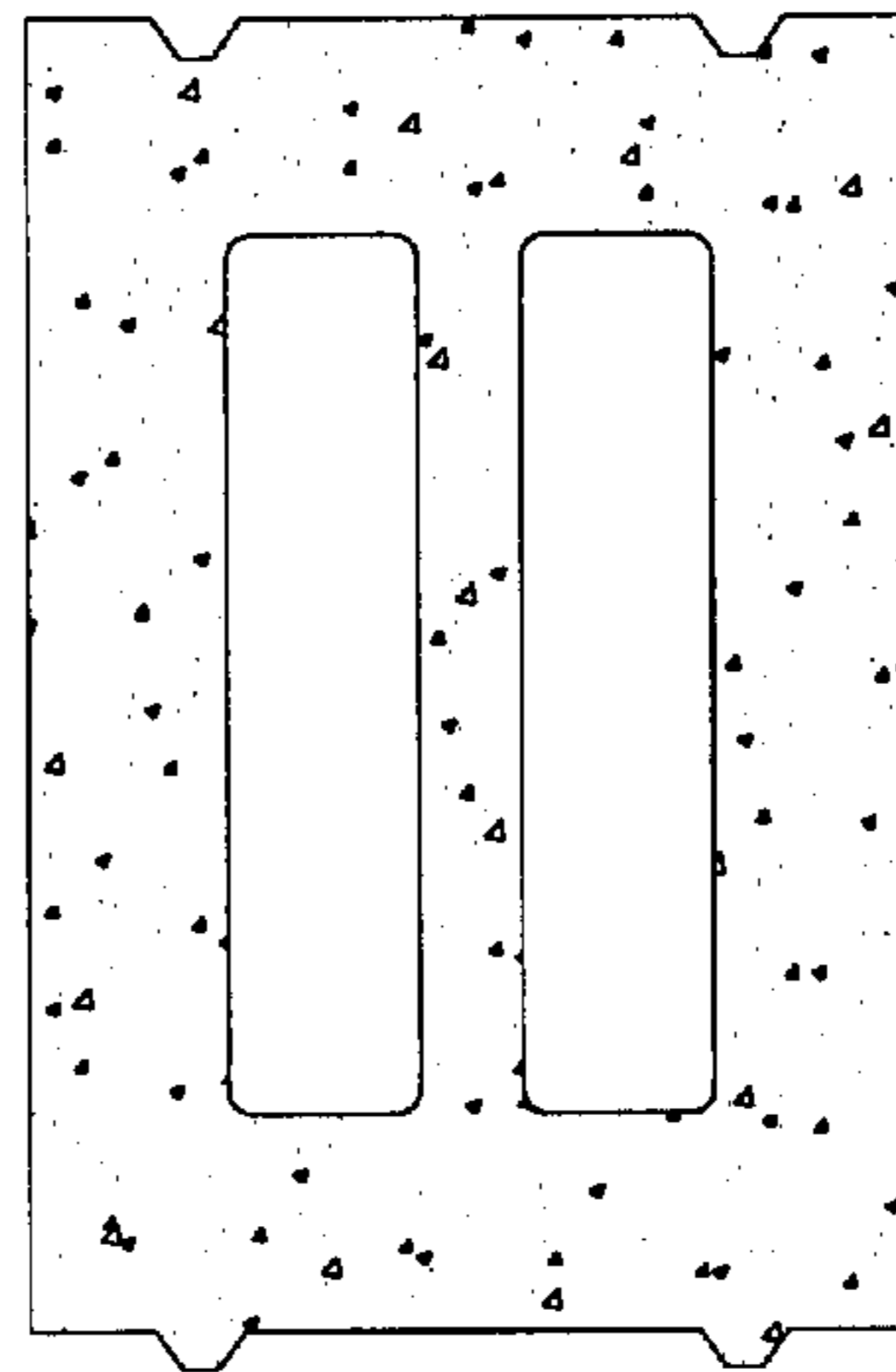


Fig 7



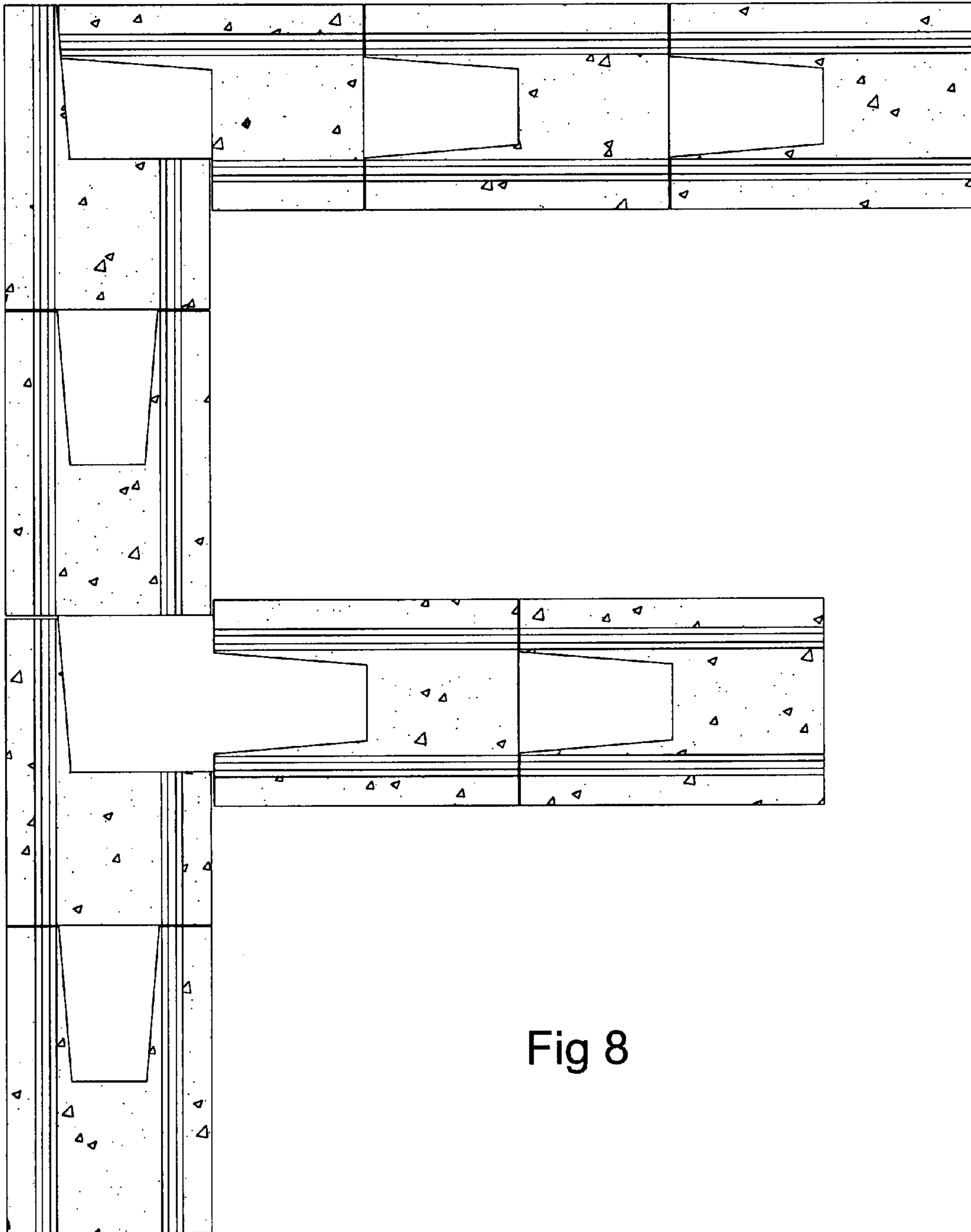


Fig 8

Fig 9

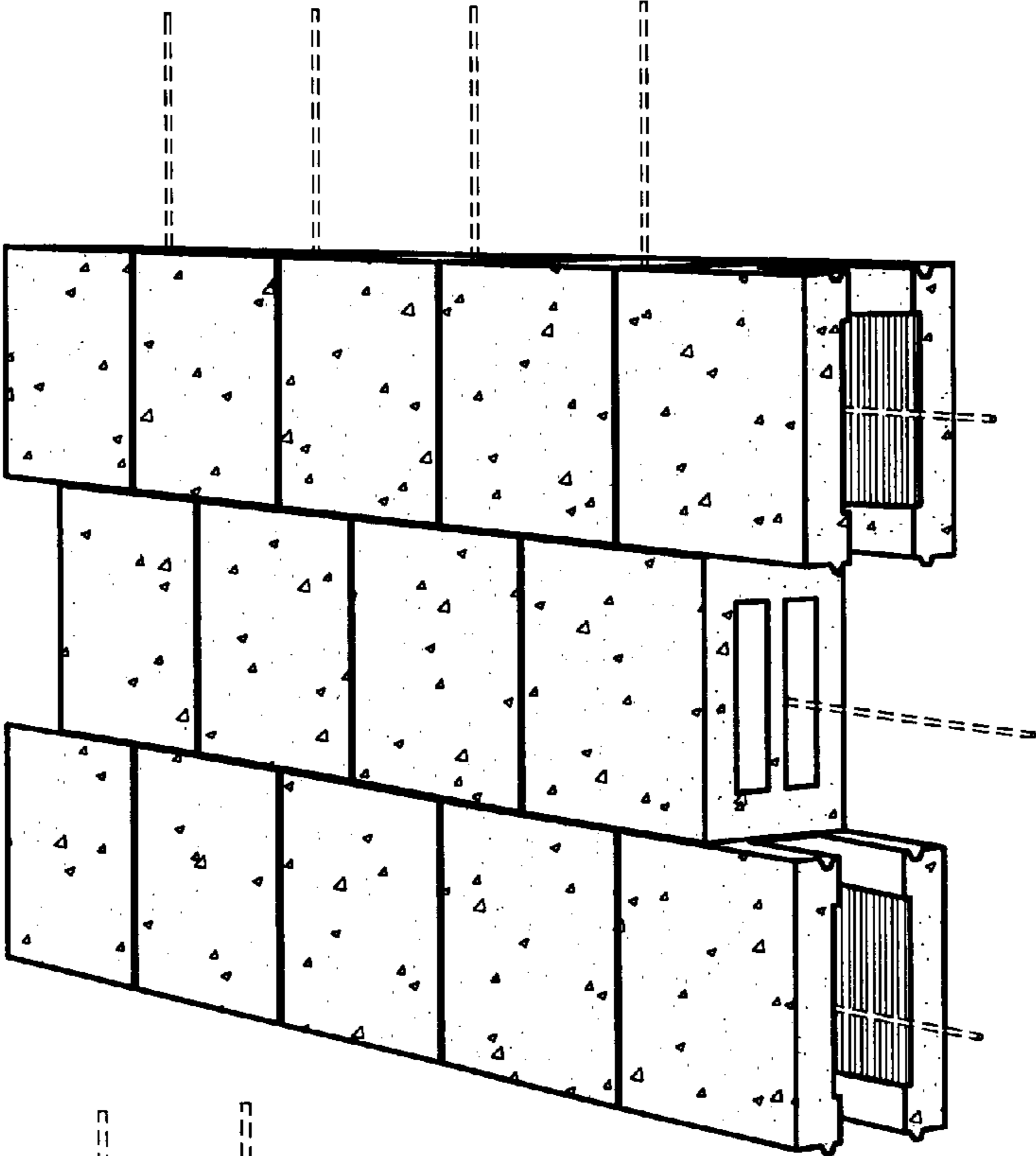


Fig 10

