

US00D502553S

(12) **United States Design Patent**
Sorheim

(10) **Patent No.:** **US D502,553 S**

(45) **Date of Patent:** **** Mar. 1, 2005**

(54) **STEP BLOCK**

(76) **Inventor:** **Daniel R. Sorheim**, 3803 NE. 86 St.,
Medford, MN (US) 55049

(**) **Term:** **14 Years**

(21) **Appl. No.:** **29/188,868**

(22) **Filed:** **Aug. 26, 2003**

(51) **LOC (7) Cl.** **25-01**

(52) **U.S. Cl.** **D25/113**

(58) **Field of Search** D25/112-115,
D25/118; 405/273, 284, 286; 52/596-597,
600-601, 604-609

(56) **References Cited**

U.S. PATENT DOCUMENTS

D452,332 S * 12/2001 Blomquist et al. D25/113
D458,387 S * 6/2002 Blomquist et al. D25/113

2001/0019684 A1 * 9/2001 Manthei et al. 52/596

* cited by examiner

Primary Examiner—Robert A Delehanty

(74) *Attorney, Agent, or Firm*—Oppenheimer Wolff &
Donnelly LLP

(57) **CLAIM**

The ornamental design for a step block, substantially as
shown and described.

DESCRIPTION

FIG. 1 is a perspective view of a step block having my new
design;

FIG. 2 is a side view thereof;

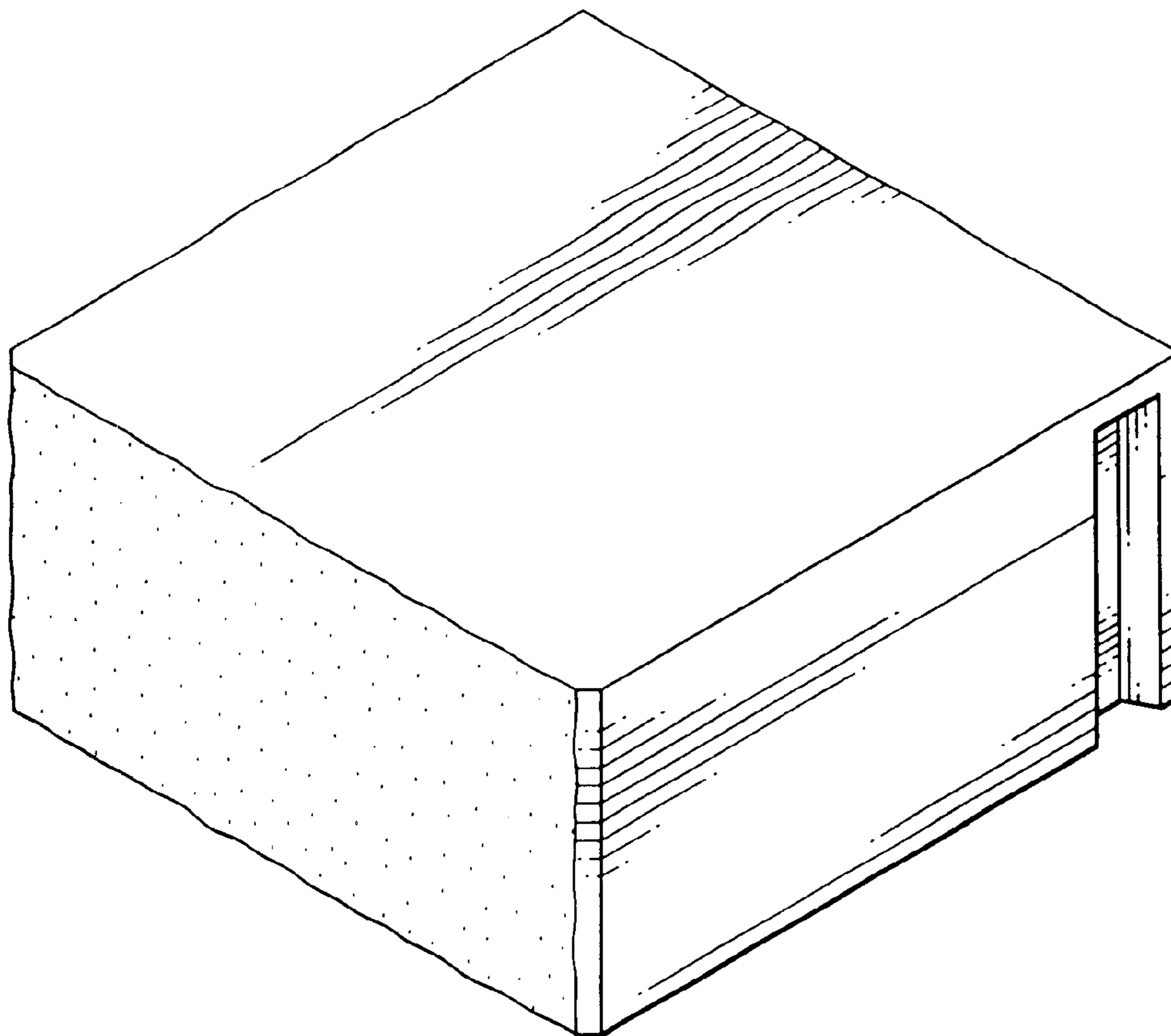
FIG. 3 is a top view thereof

FIG. 4 is a right side view thereof;

FIG. 5 is a bottom view thereof; and,

FIG. 6 is a back view thereof.

1 Claim, 3 Drawing Sheets



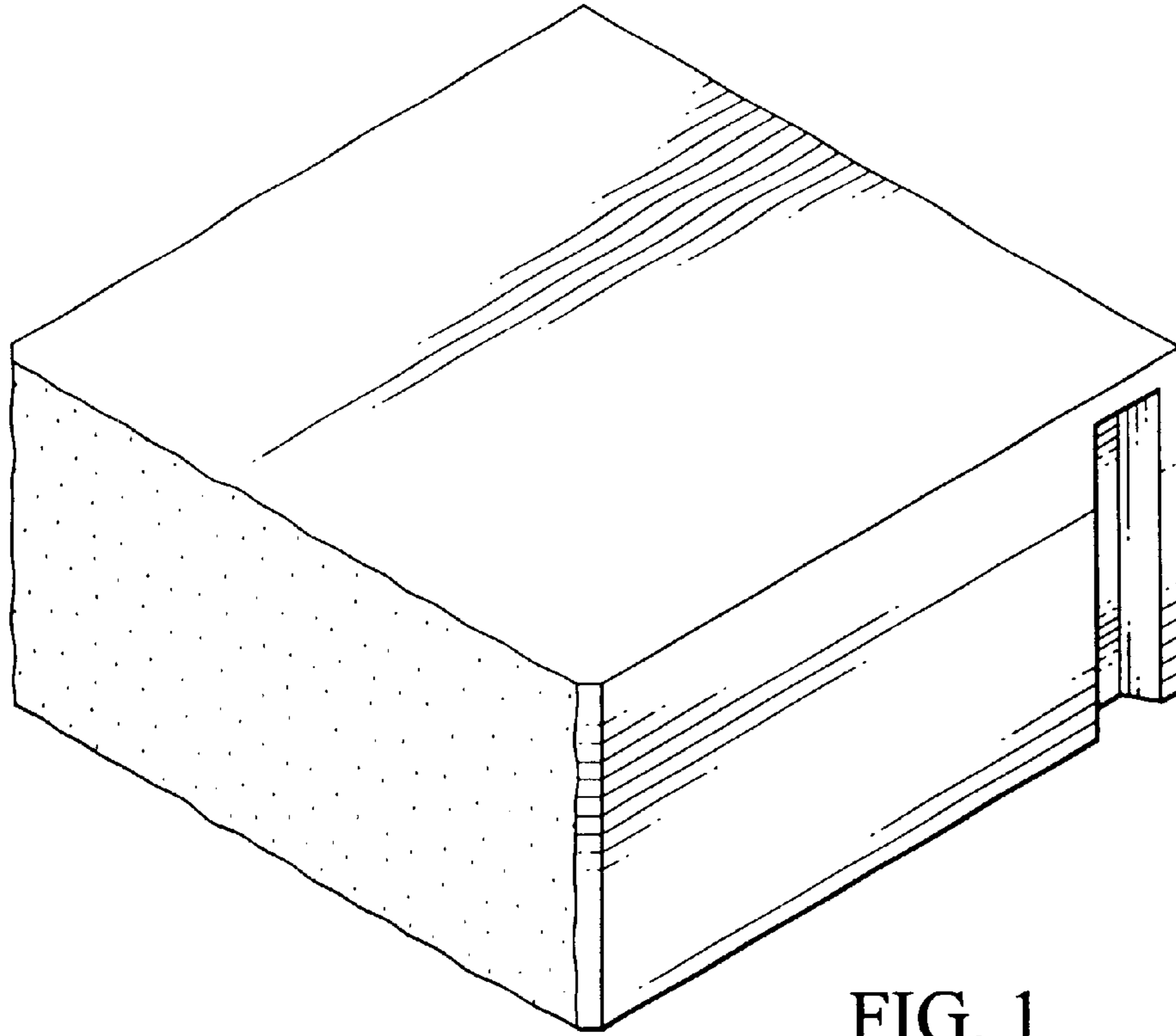


FIG. 1

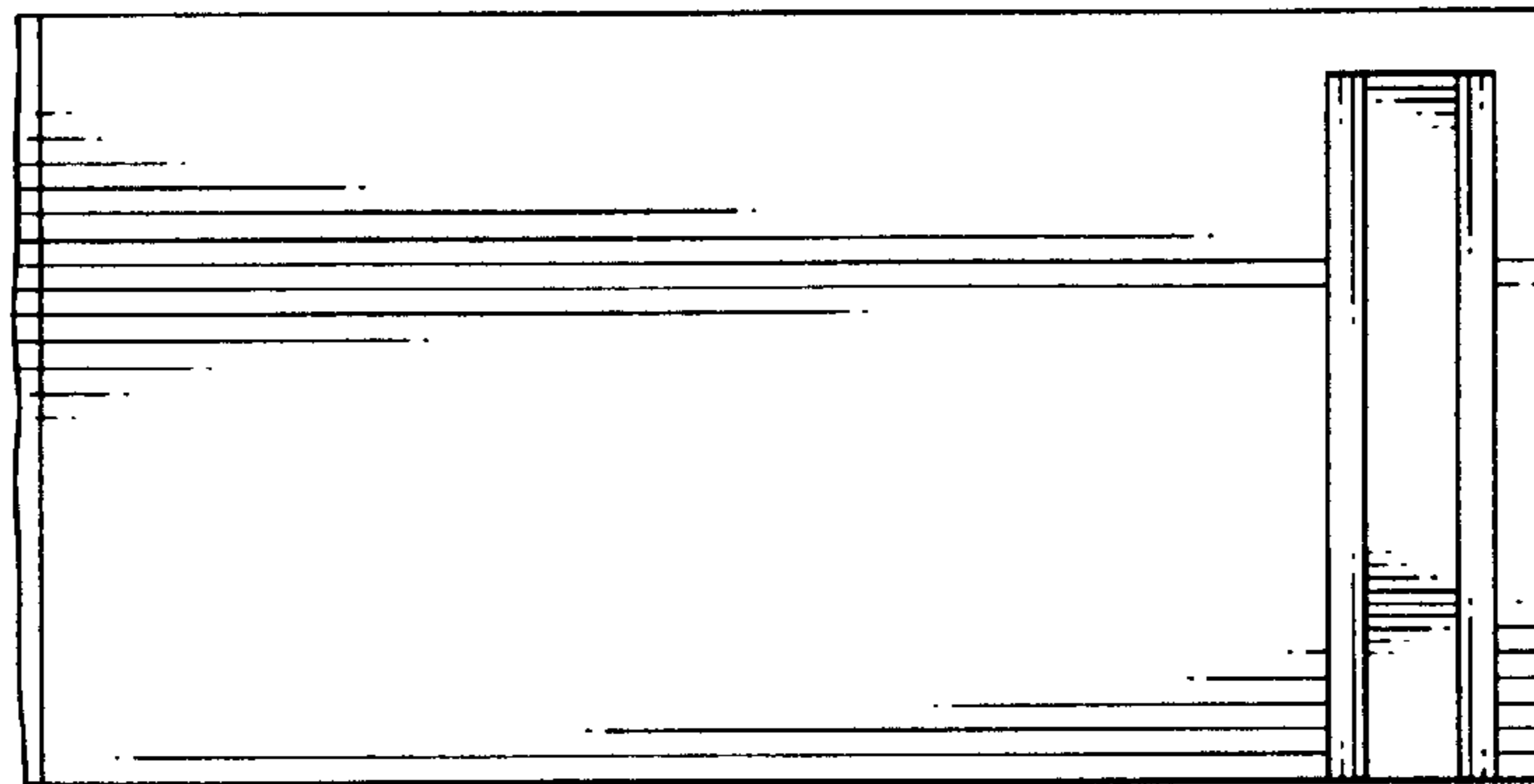


FIG. 2

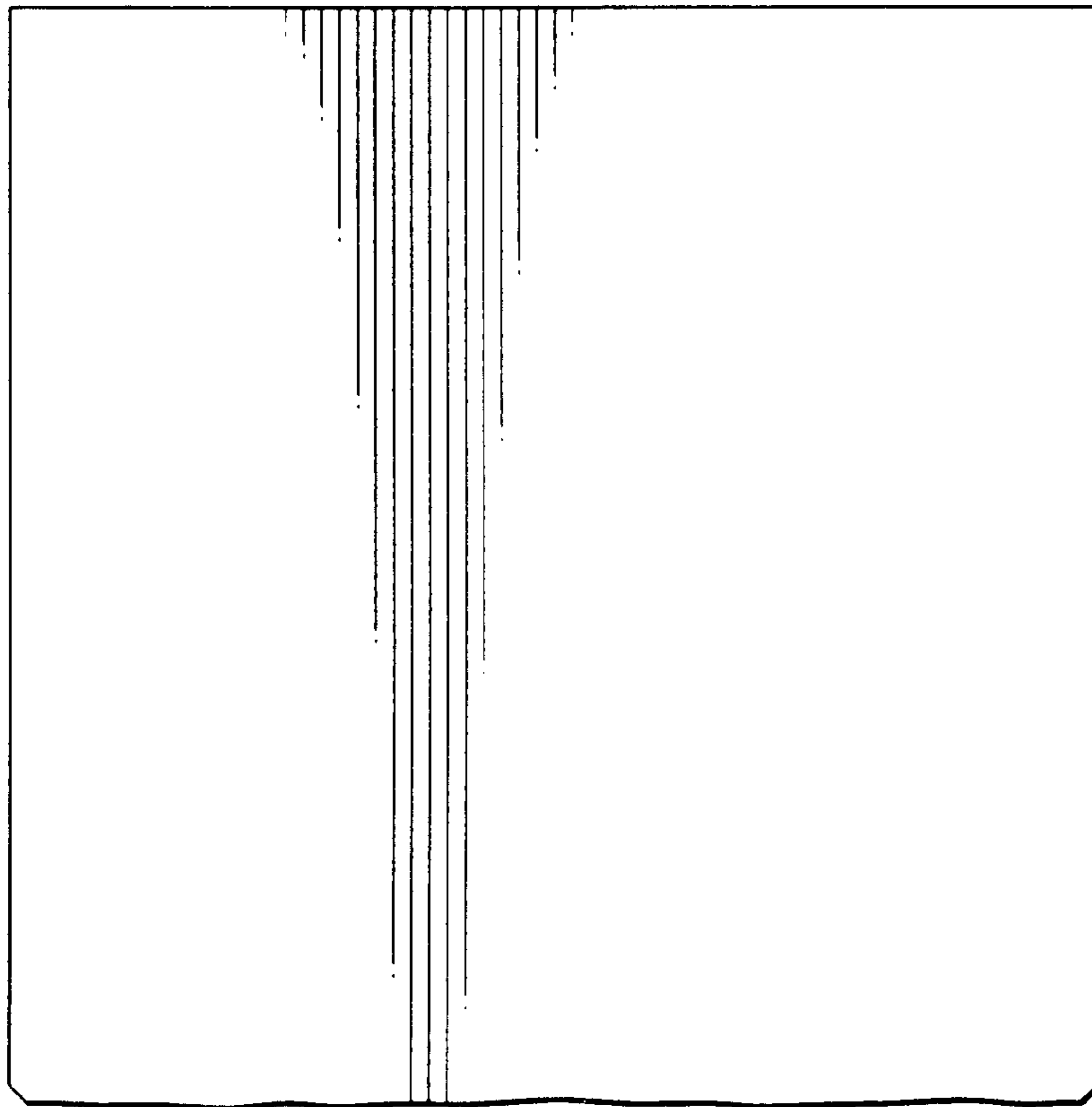


FIG. 3

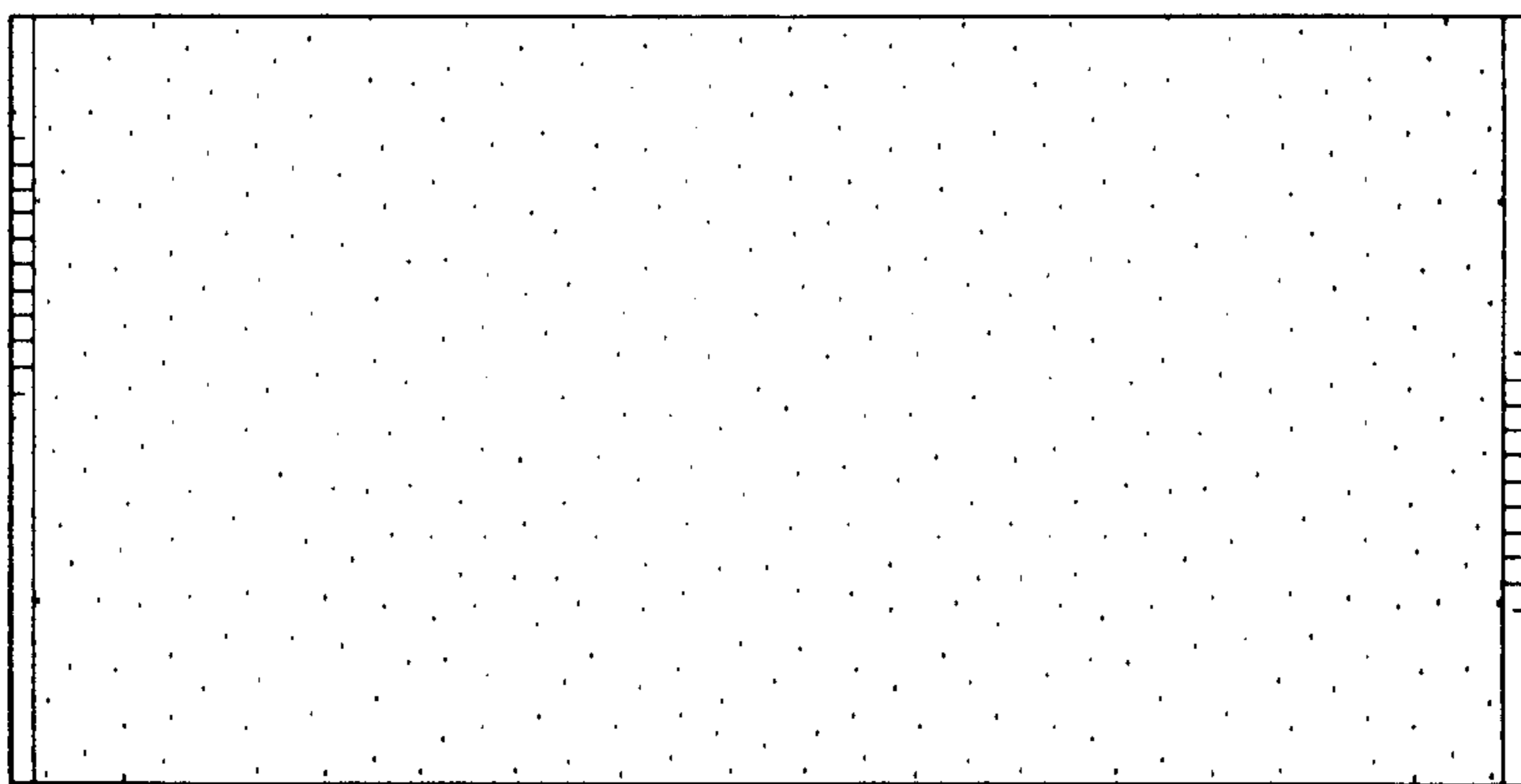


FIG. 4

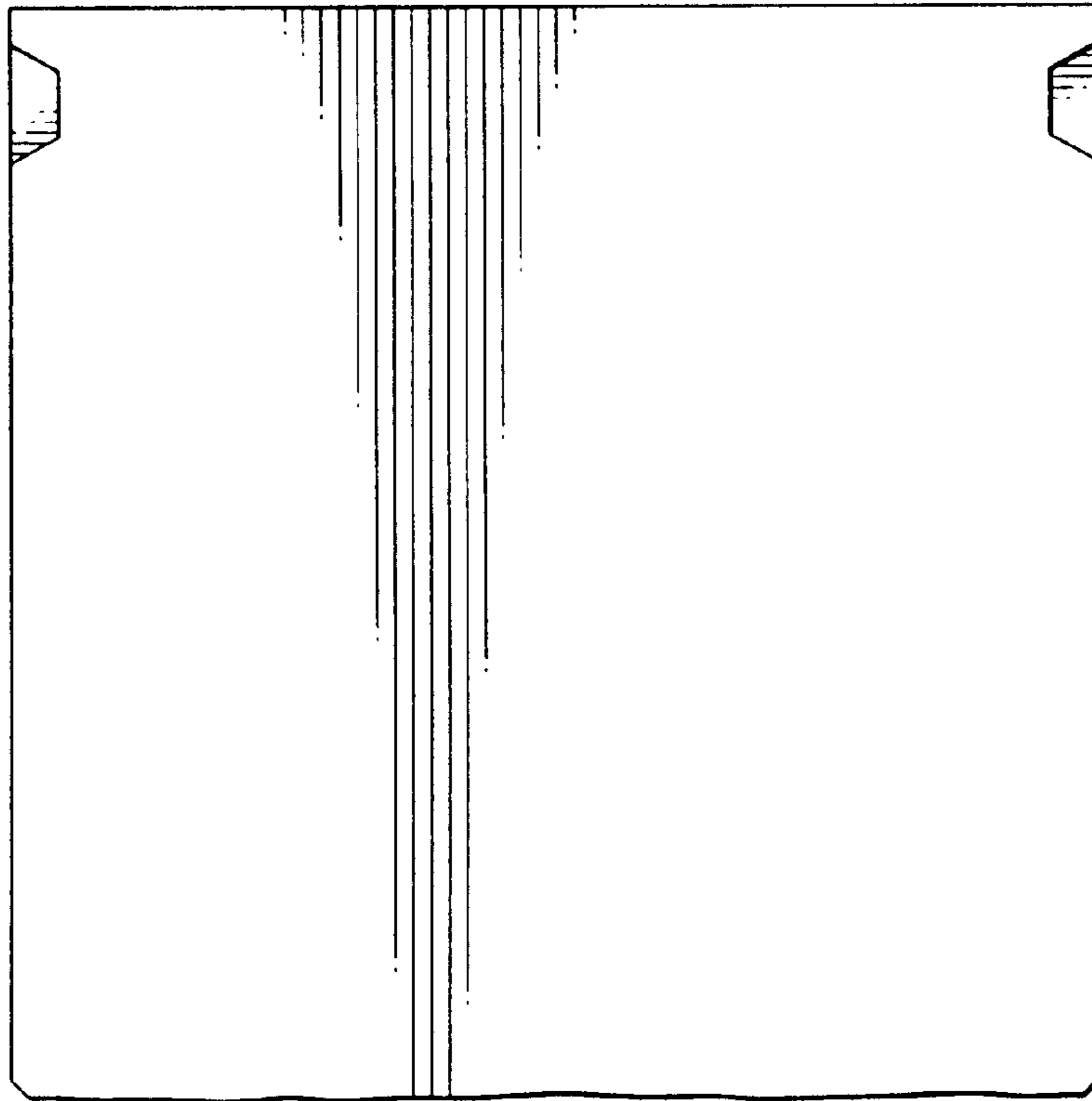


FIG. 5

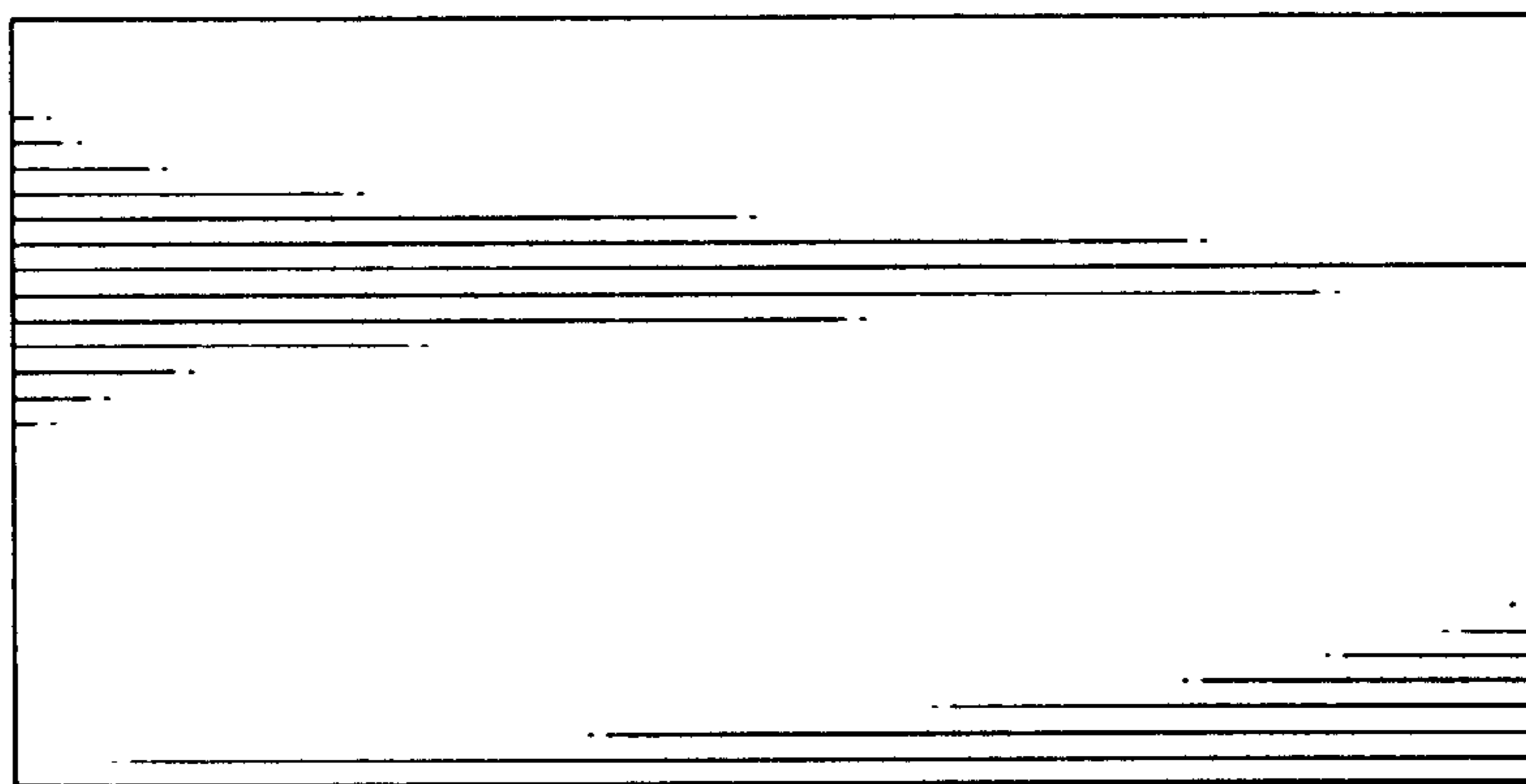


FIG. 6