

US00D502551S

(12) **United States Design Patent**
Hotaling et al.

(10) **Patent No.:** **US D502,551 S**
(45) **Date of Patent:** **** Mar. 1, 2005**

(54) **SAFETY GATE**

(75) Inventors: **Bryan R. Hotaling**, Arlington, MA
(US); **James R. Varney**, Medford, MA
(US)

(73) Assignee: **The First Years Inc.**, Avon, MA (US)

(**) Term: **14 Years**

(21) Appl. No.: **29/180,983**

(22) Filed: **May 1, 2003**

(51) **LOC (7) Cl.** **25-02**

(52) **U.S. Cl.** **D25/50**

(58) **Field of Search** D25/50; 256/25,
256/1

5,544,870 A	*	8/1996	Kelley et al.	256/25
5,609,327 A	*	3/1997	Amidon	256/25
D384,752 S	*	10/1997	Scherer et al.	D25/50
5,860,250 A		1/1999	Hill et al.	
6,098,217 A		8/2000	Hammil	
6,161,334 A		12/2000	Goodin	
D440,327 S	*	4/2001	Keating et al.	D25/138
6,449,901 B1		9/2002	Gibree et al.	
2001/0011392 A1		8/2001	Homeyer	
2001/0015266 A1		8/2001	Yates et al.	

* cited by examiner

Primary Examiner—Doris Clark

(74) *Attorney, Agent, or Firm*—Fish & Richardson P.C.

(57) **CLAIM**

The ornamental design for a safety gate, as shown and described.

(56) **References Cited**

U.S. PATENT DOCUMENTS

3,000,063 A	9/1961	Hoog	
3,216,482 A	11/1965	Lindholm	
D209,738 S	* 1/1968	Bachner	D25/150
4,846,246 A	7/1989	Stern	
4,968,071 A	11/1990	Stern	
5,052,461 A	10/1991	Stern	
5,060,421 A	10/1991	Castelli	
5,271,449 A	12/1993	Herrick	
5,535,552 A	7/1996	Stern	

DESCRIPTION

FIG. 1 is a perspective view of a safety gate according to the invention.

FIG. 2 is a front view of the safety gate of FIG. 1.

FIG. 3 is a back view of the safety gate of FIG. 1.

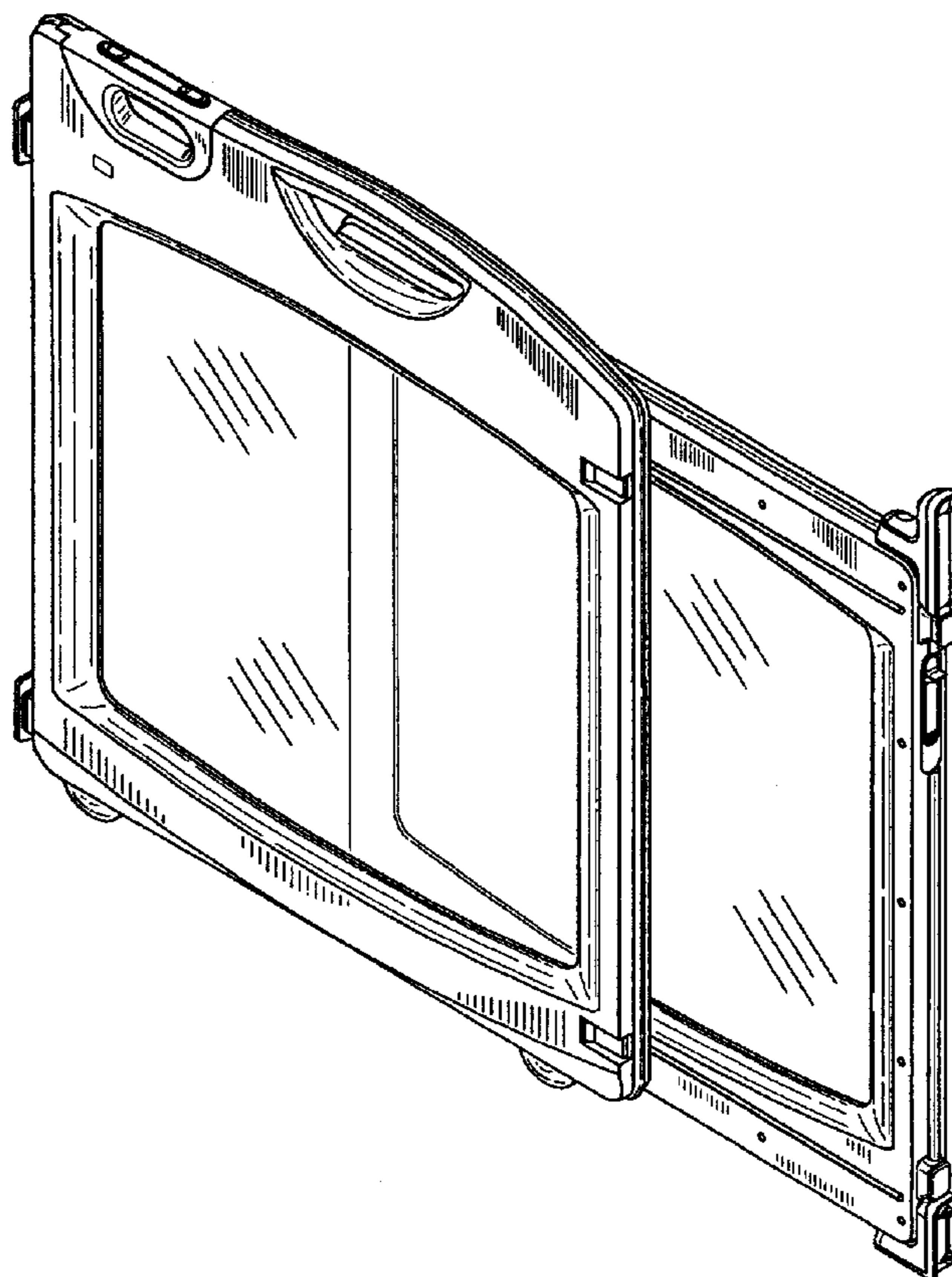
FIG. 4 is a top view of the safety gate of FIG. 1.

FIG. 5 is a bottom view of the safety gate of FIG. 1.

FIG. 6 is a left side view of the safety gate of FIG. 1; and,

FIG. 7 is a right side view of the safety gate of FIG. 1.

1 Claim, 5 Drawing Sheets



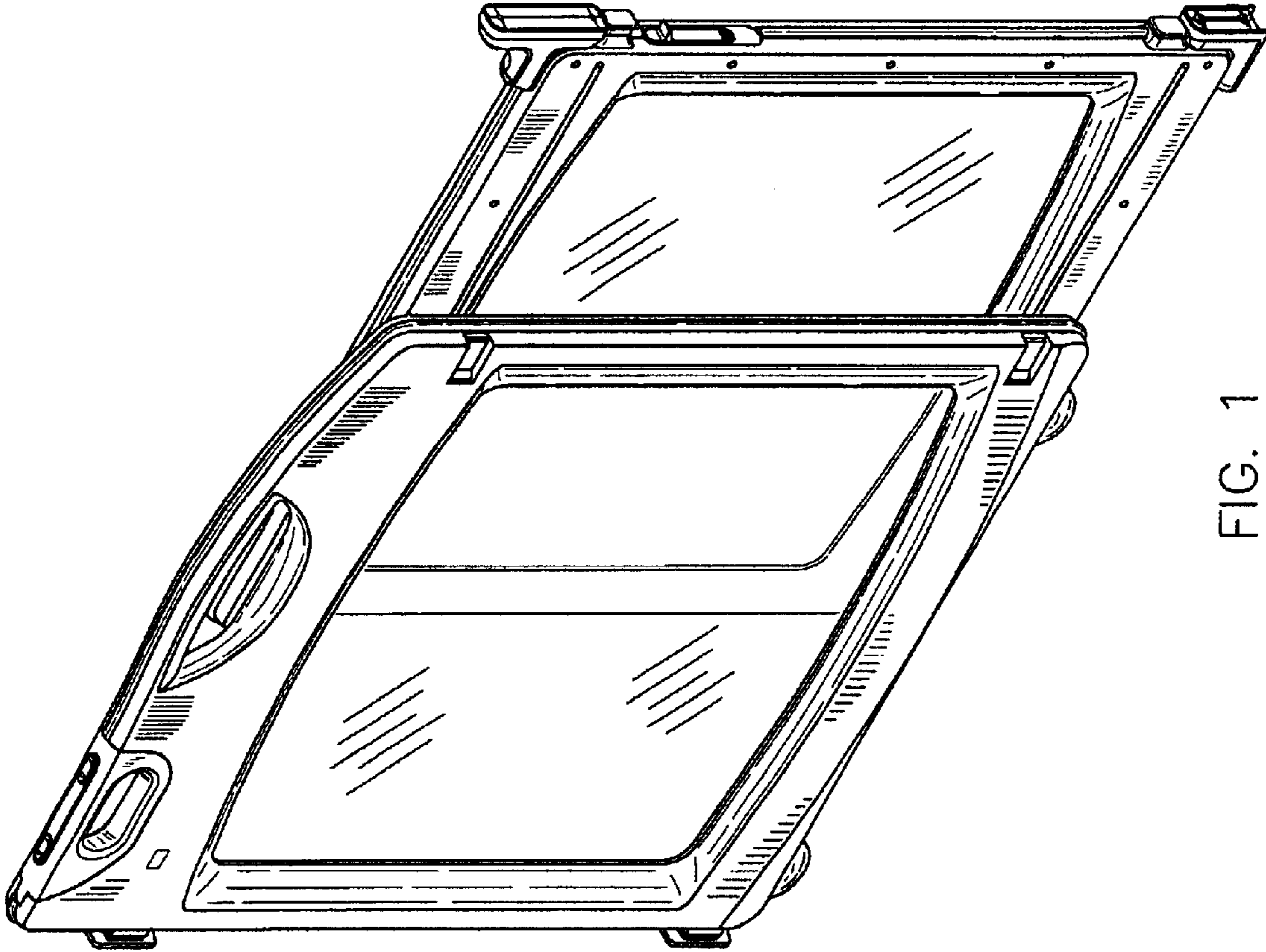


FIG. 1

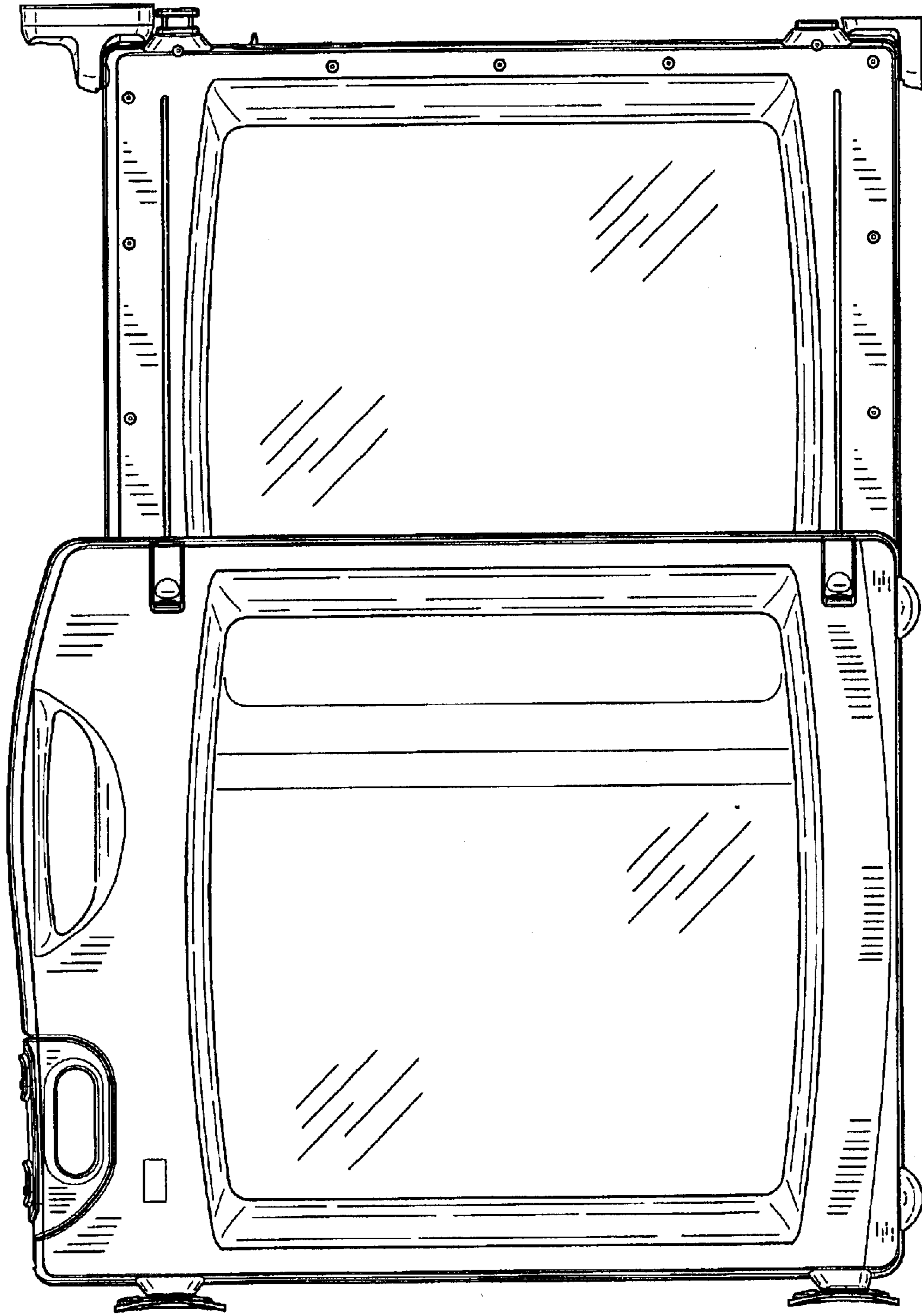


FIG. 2

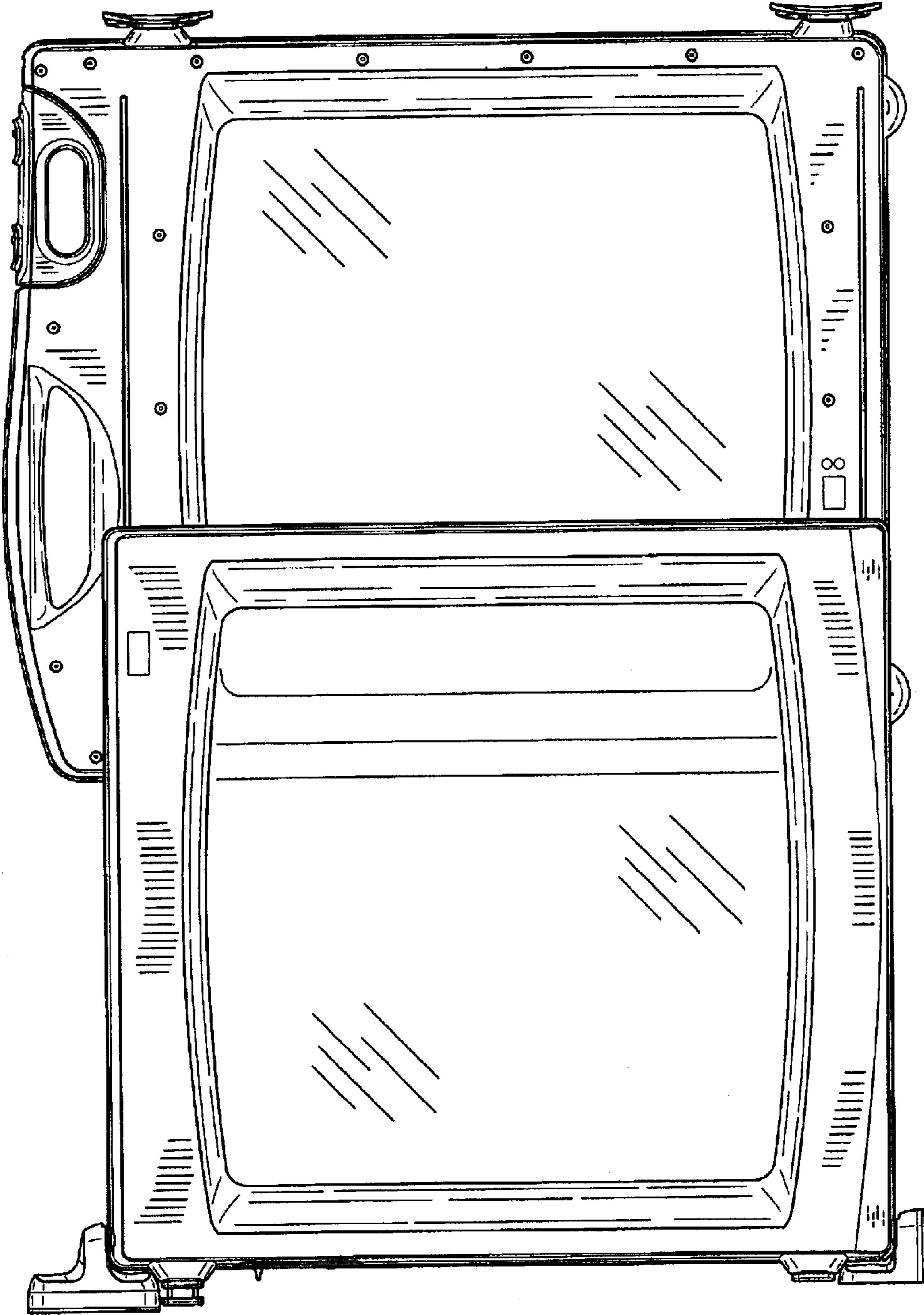


FIG. 3



FIG. 4



FIG. 5

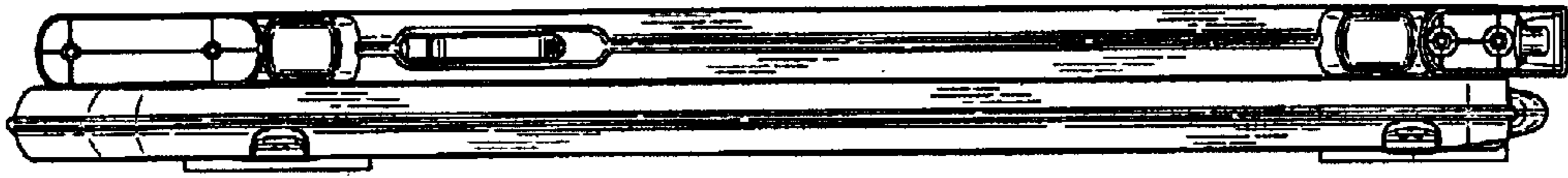


FIG. 7

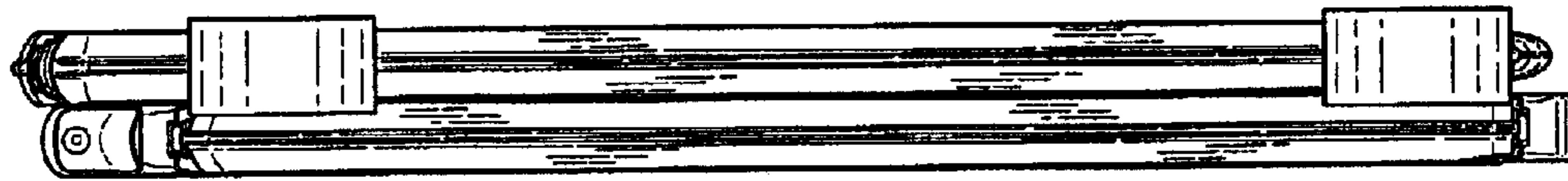


FIG. 6