

US00D502550S

(12) **United States Design Patent**  
**Walker**

(10) **Patent No.: US D502,550 S**  
(45) **Date of Patent: \*\* Mar. 1, 2005**

(54) **RAILING SYSTEM**

- (75) Inventor: **Simon Walker, Delta (CA)**
- (73) Assignee: **Peak Innovations Inc., Vancouver (CA)**
- (\*\*) Term: **14 Years**

(21) Appl. No.: **29/186,016**

(22) Filed: **Jul. 9, 2003**

(51) **LOC (7) Cl. .... 25-02**

(52) **U.S. Cl. .... D25/38; D25/39; D25/50**

(58) **Field of Search .... D25/39, 38, 50;**  
**256/19, 24, 25, 73, 65.01, 59**

(56) **References Cited**

**U.S. PATENT DOCUMENTS**

3,083,951	A	4/1963	Huret	
4,272,061	A	6/1981	Suckno	
4,346,872	A	8/1982	Tornya	
D380,140	S	6/1997	Siemens	
D415,288	S	* 10/1999	Mishina	D25/39
D422,089	S	* 3/2000	Blad	D25/50
6,199,833	B1	* 3/2001	Bilby et al.	256/24
6,460,829	B1	10/2002	Forbis et al.	
D465,286	S	* 11/2002	Gregori	D25/38

**FOREIGN PATENT DOCUMENTS**

CA	878854	8/1971
CA	1289797	10/1991

**OTHER PUBLICATIONS**

Web printout from <http://www.ezedeck.co.uk/assembly2.html> dated Jul. 11, 2002 showing railing and spacer.  
Web printout from <http://www.regalrailing.com/installguide.htm> dated Aug. 20, 2001 showing railing and snap in spacer.

\* cited by examiner

*Primary Examiner*—Doris Clark

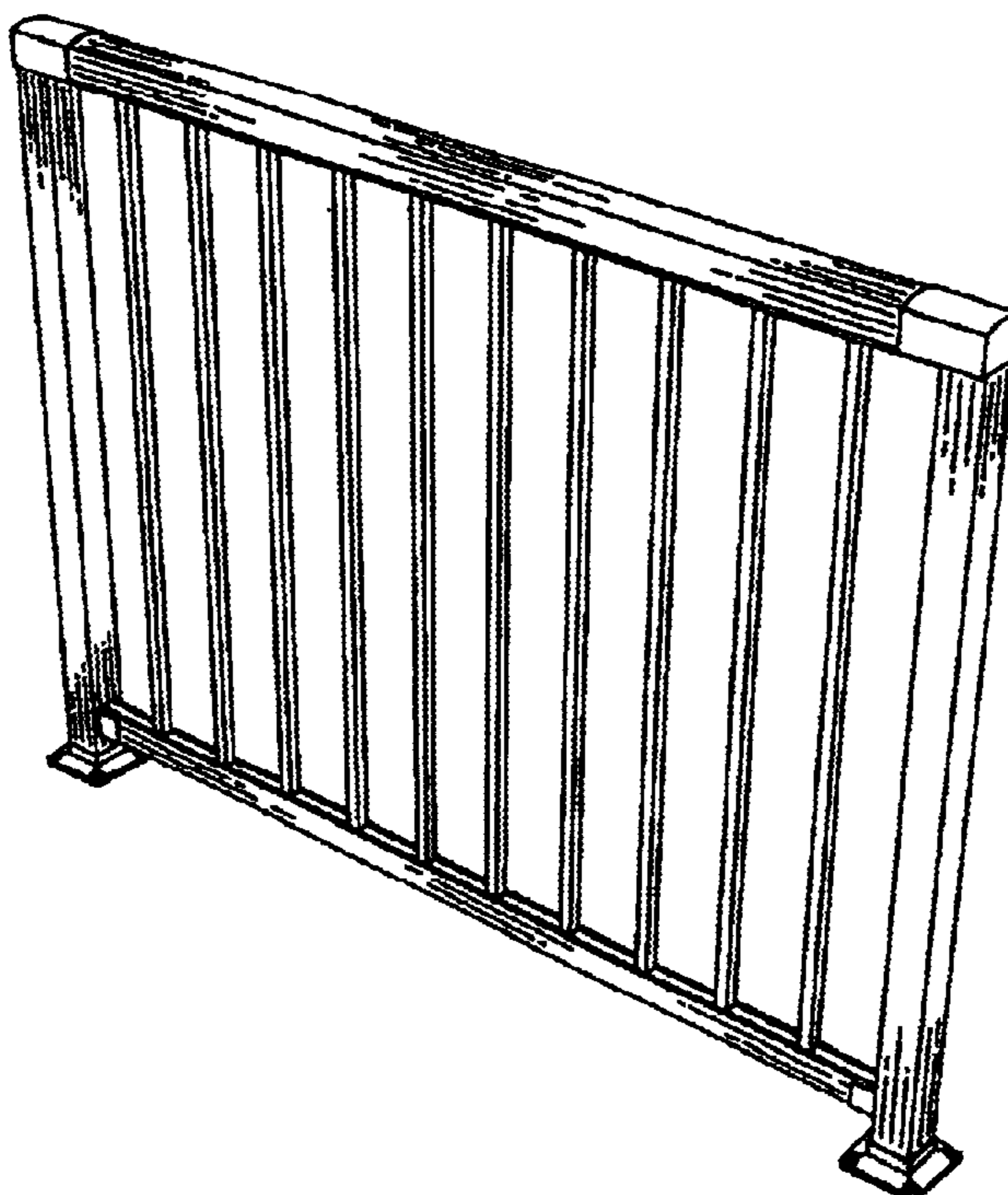
(57) **CLAIM**

The ornamental design for a railing system, as shown and described.

**DESCRIPTION**

FIG. 1 is a top perspective view of my railing system; FIG. 2 is an enlarged fragmentary view of the bottom left corner in FIG. 1; FIG. 3 is a bottom perspective view of my railing system; FIG. 4 is an enlarged fragmentary view of the top left corner in FIG. 3; FIG. 5 is a top view thereof; FIG. 6 is a front view thereof, where the front and rear views are identical; FIG. 7 is a bottom view thereof; and, FIG. 8 is a side view thereof, where the left and right hand sides are identical.

**1 Claim, 4 Drawing Sheets**



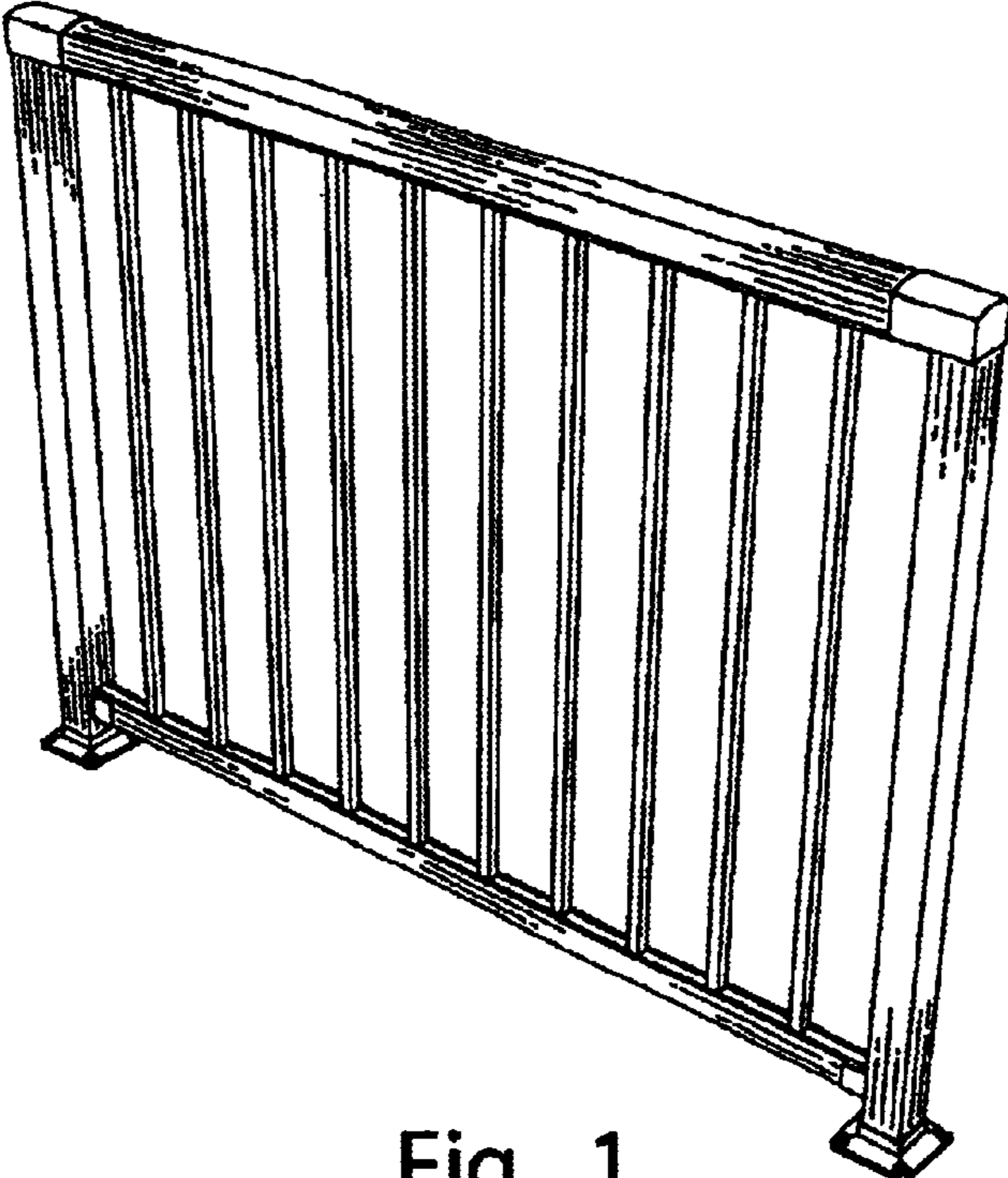


Fig. 1

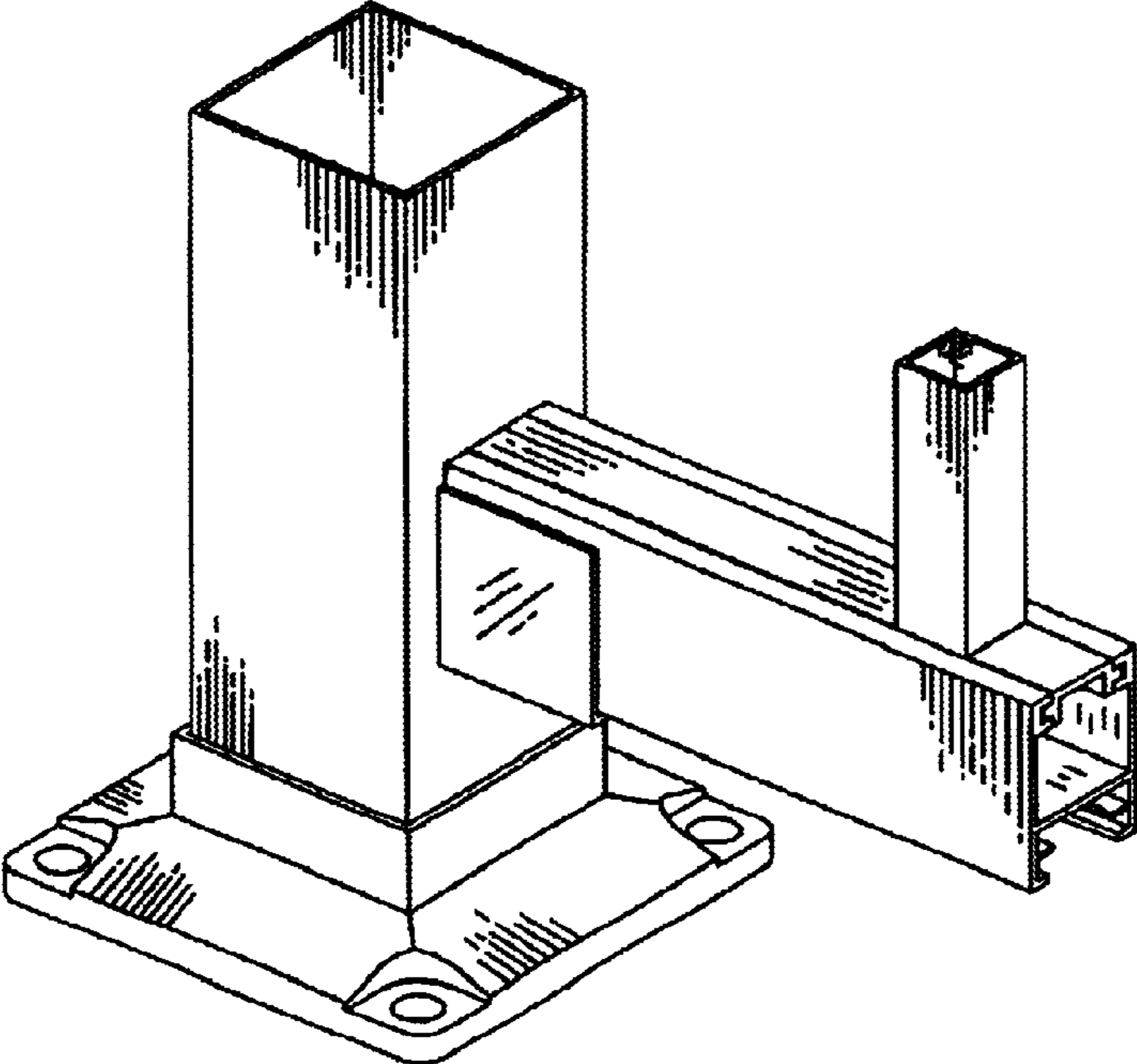


Fig. 2

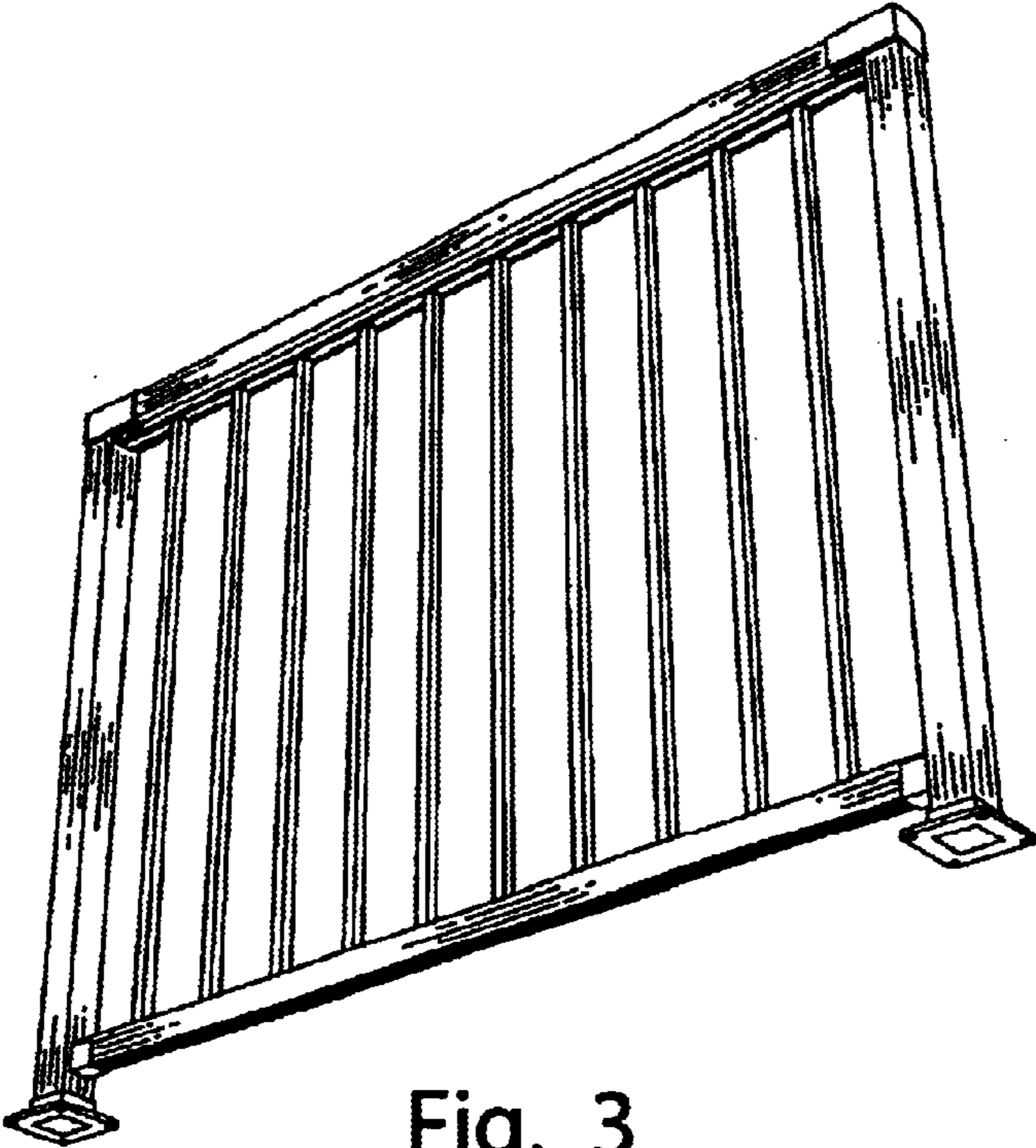


Fig. 3

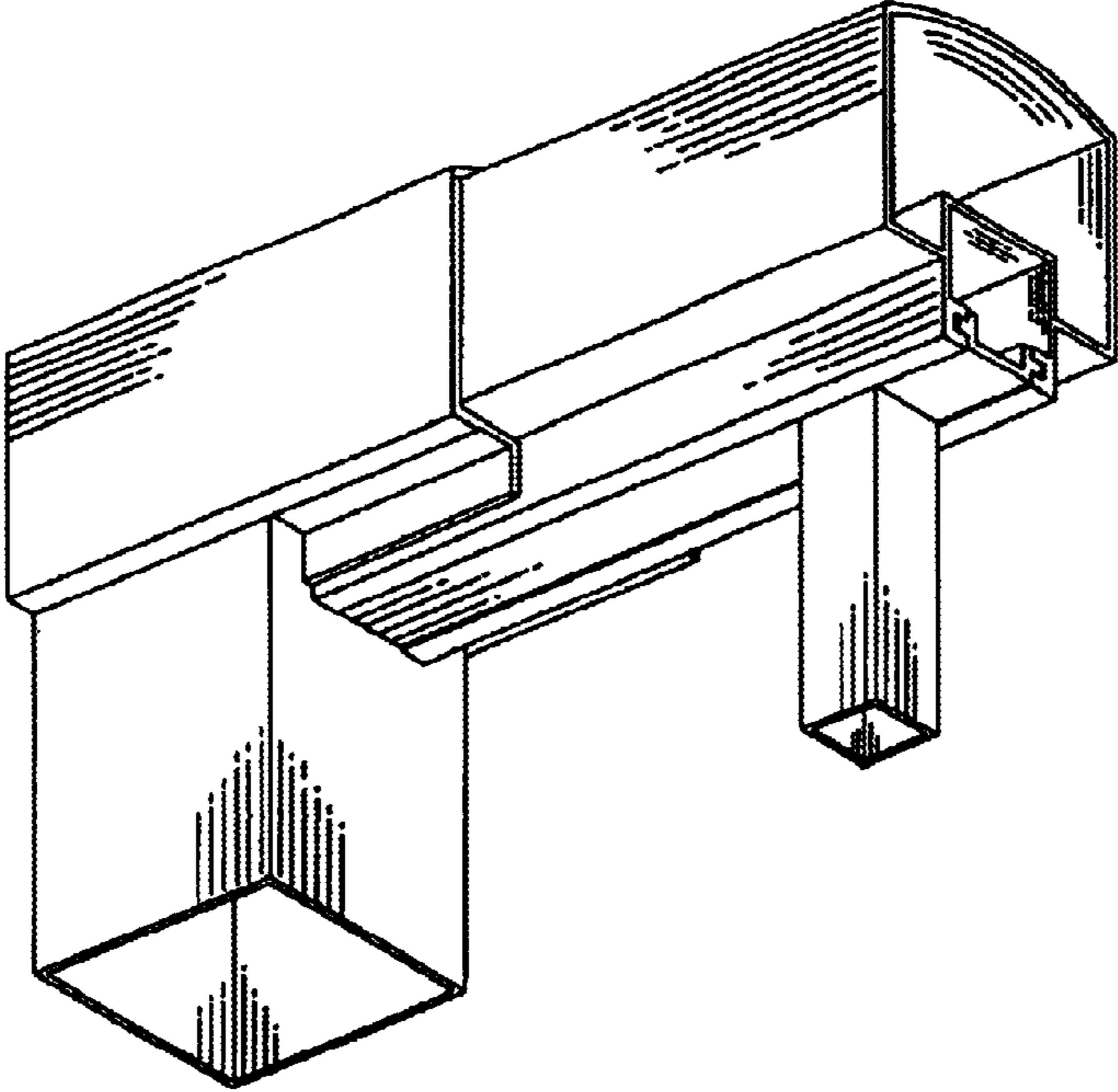


Fig. 4



Fig. 5

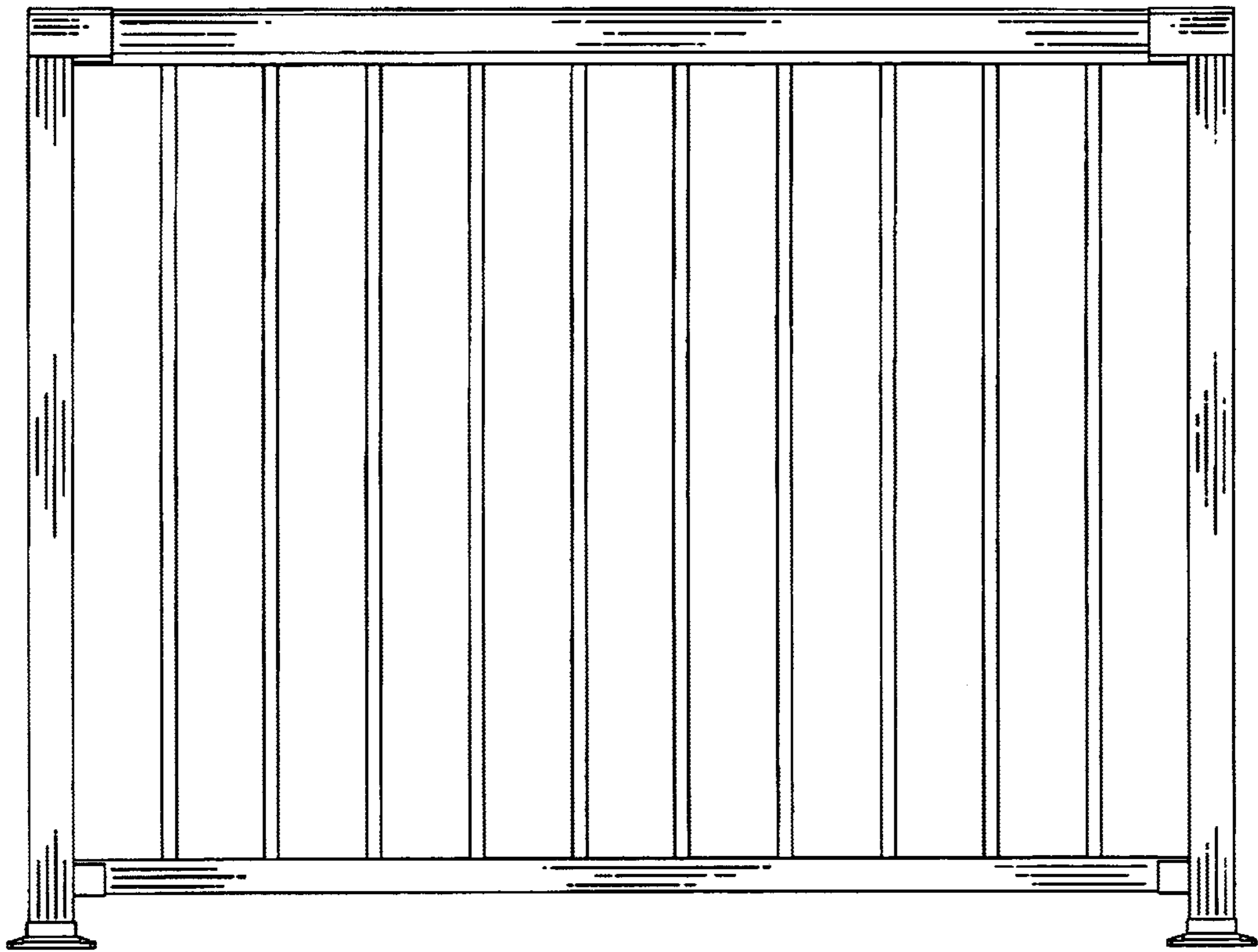


Fig. 6

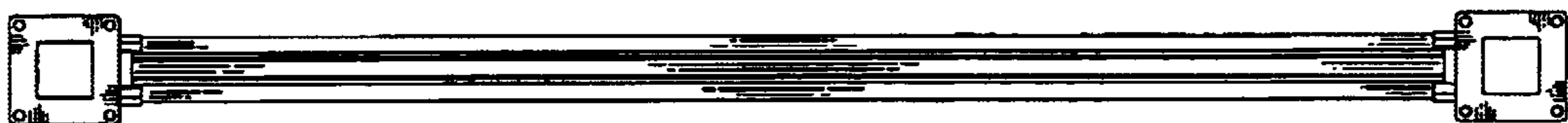


Fig. 7



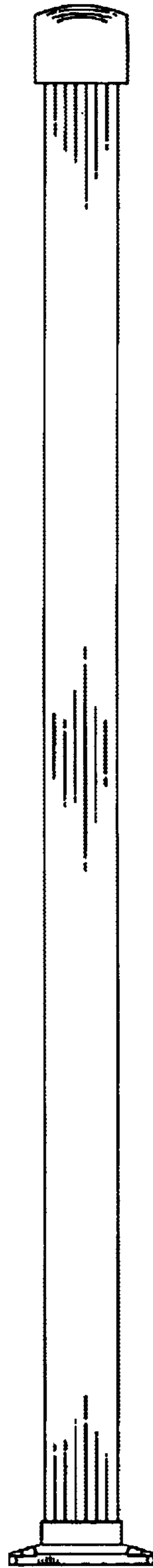


Fig. 8