

US00D502547S

(12) **United States Design Patent**
Hawes

(10) **Patent No.:** **US D502,547 S**
(45) **Date of Patent:** **** Mar. 1, 2005**

(54) **CONTAINER**

(75) Inventor: **Anthony Hawes**, Round O, SC (US)

(73) Assignee: **Sea Containers America, Inc.**, New York, NY (US)

(**) Term: **14 Years**

(21) Appl. No.: **29/195,318**

(22) Filed: **Dec. 10, 2003**

(51) **LOC (7) Cl.** **25-03**

(52) **U.S. Cl.** **D25/33**

(58) **Field of Search** D25/33; 52/79.5,
52/79.1

(56) **References Cited**

U.S. PATENT DOCUMENTS

5,761,854	A	*	6/1998	Johnson et al.	52/69
D399,575	S	*	10/1998	Hunt	D25/33
5,950,373	A	*	9/1999	von Hoff et al.	52/79.5
6,016,634	A	*	1/2000	Sayer	52/648.1

OTHER PUBLICATIONS

Product literature for Quadcon Integrated Storage Systems, Jan. 2003.
Product literature for Quadcon, Jan. 2003.
Product literature for Tricon, Jan. 2003.
Product literature for CARC Tricon, Jan. 2003.
Product literature for Tricon Laboratory Shelter (obtained May 2003).

Product literature for Tricon Weapons and Ordnance Shelter (obtained May 2003).

Product literature for Tricon Medical Supplies Shelter (obtained May 2003).

* cited by examiner

Primary Examiner—Doris Clark

(74) *Attorney, Agent, or Firm*—Wiley Rein & Fielding LLP

(57) **CLAIM**

The ornamental design for a container, as shown and described.

DESCRIPTION

FIG. 1 is a front perspective view of a container according to the novel design.

FIG. 2 is a bottom view of a container according to the novel design.

FIG. 3 is a front view of a container according to a novel design.

FIG. 4 is a back view of a container according to the novel design.

FIG. 5 is a top view of a container according to the novel design.

FIG. 6 is a side view of a container according to the novel design.

FIG. 7 is a front view of a container in open configuration; and,

FIG. 8 is a back view of a container in open configuration.

The broken lines included in the drawings depict elements that are not part of the claimed design.

1 Claim, 4 Drawing Sheets

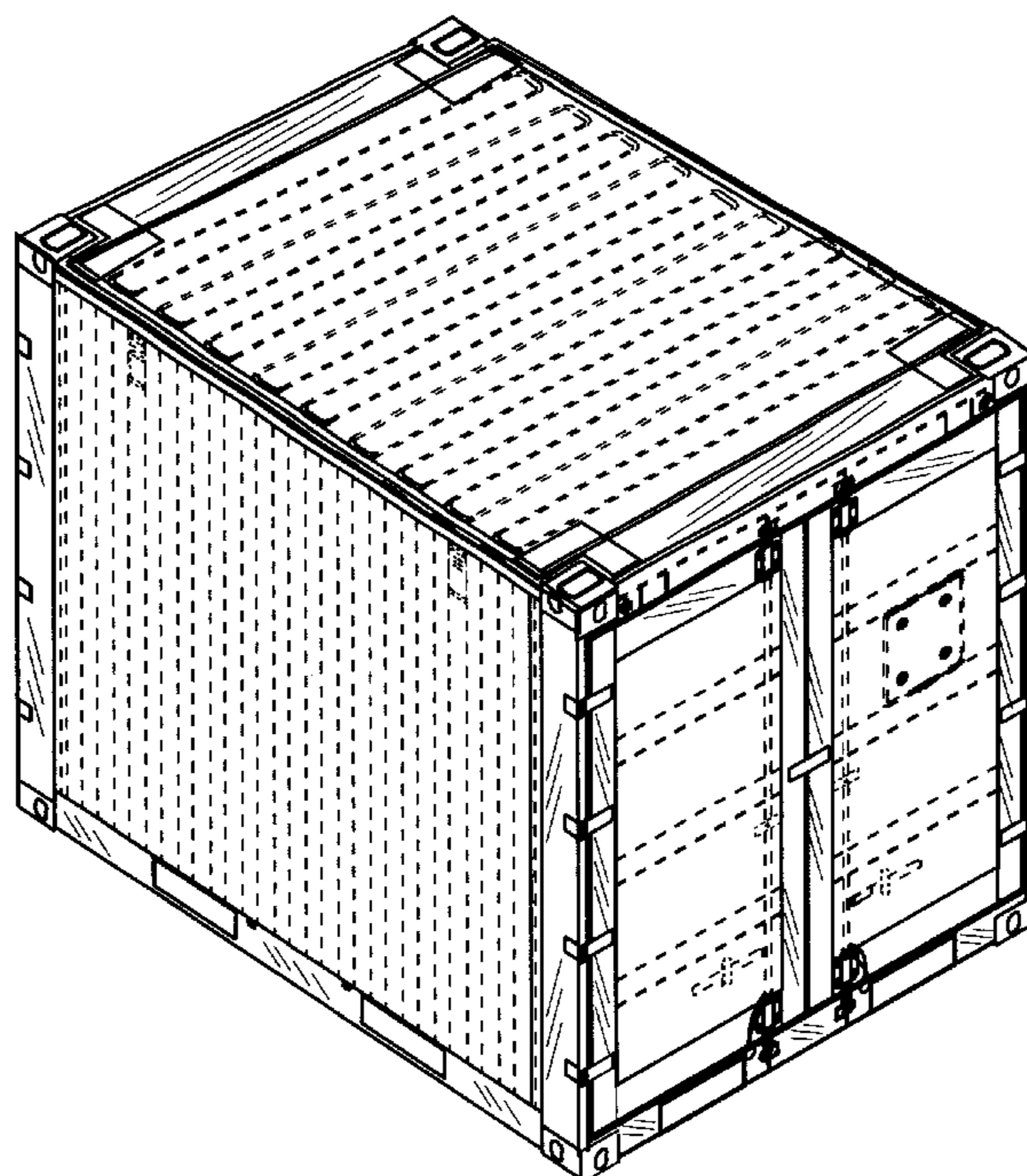


FIG. 1

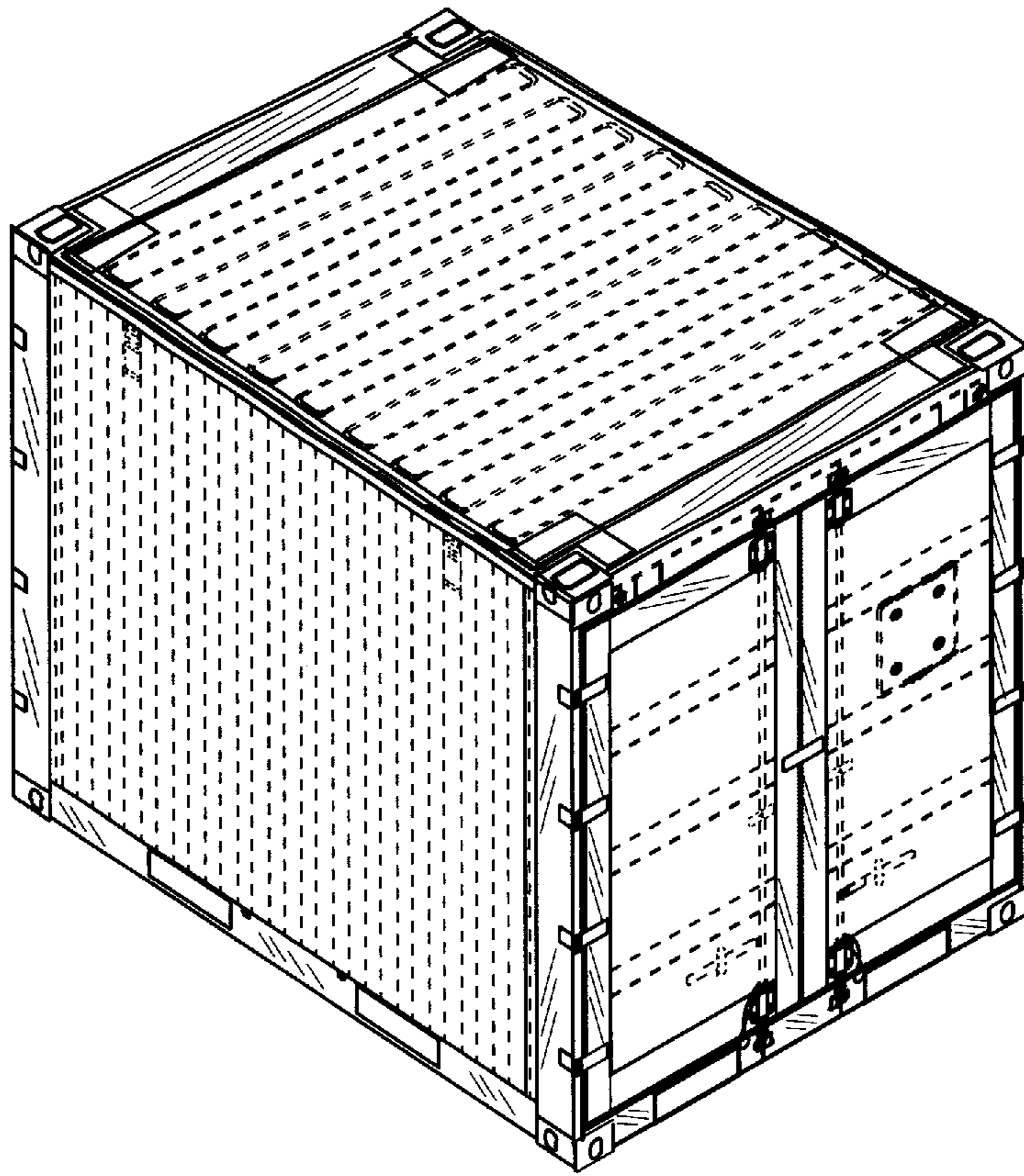


FIG. 2

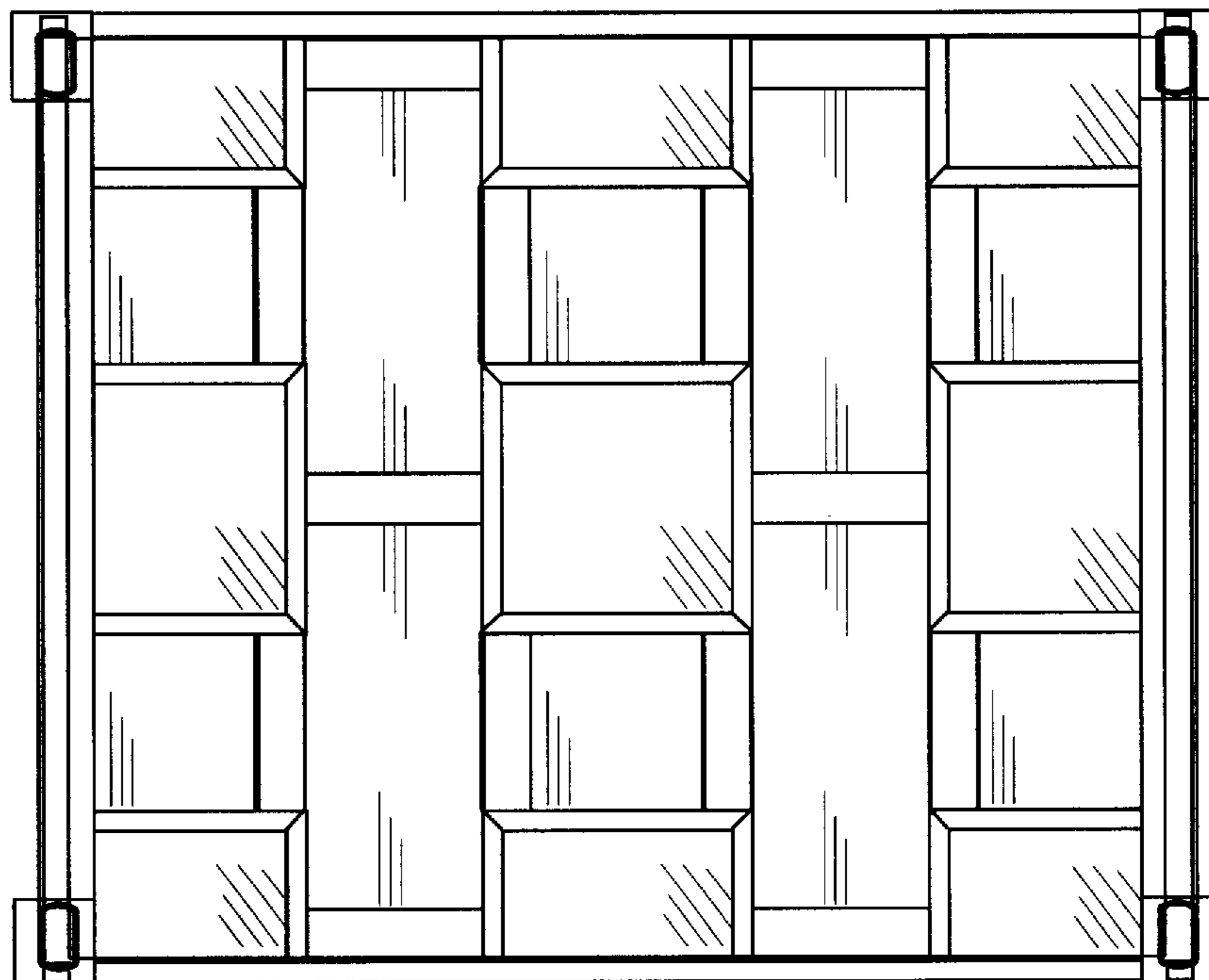


FIG. 3

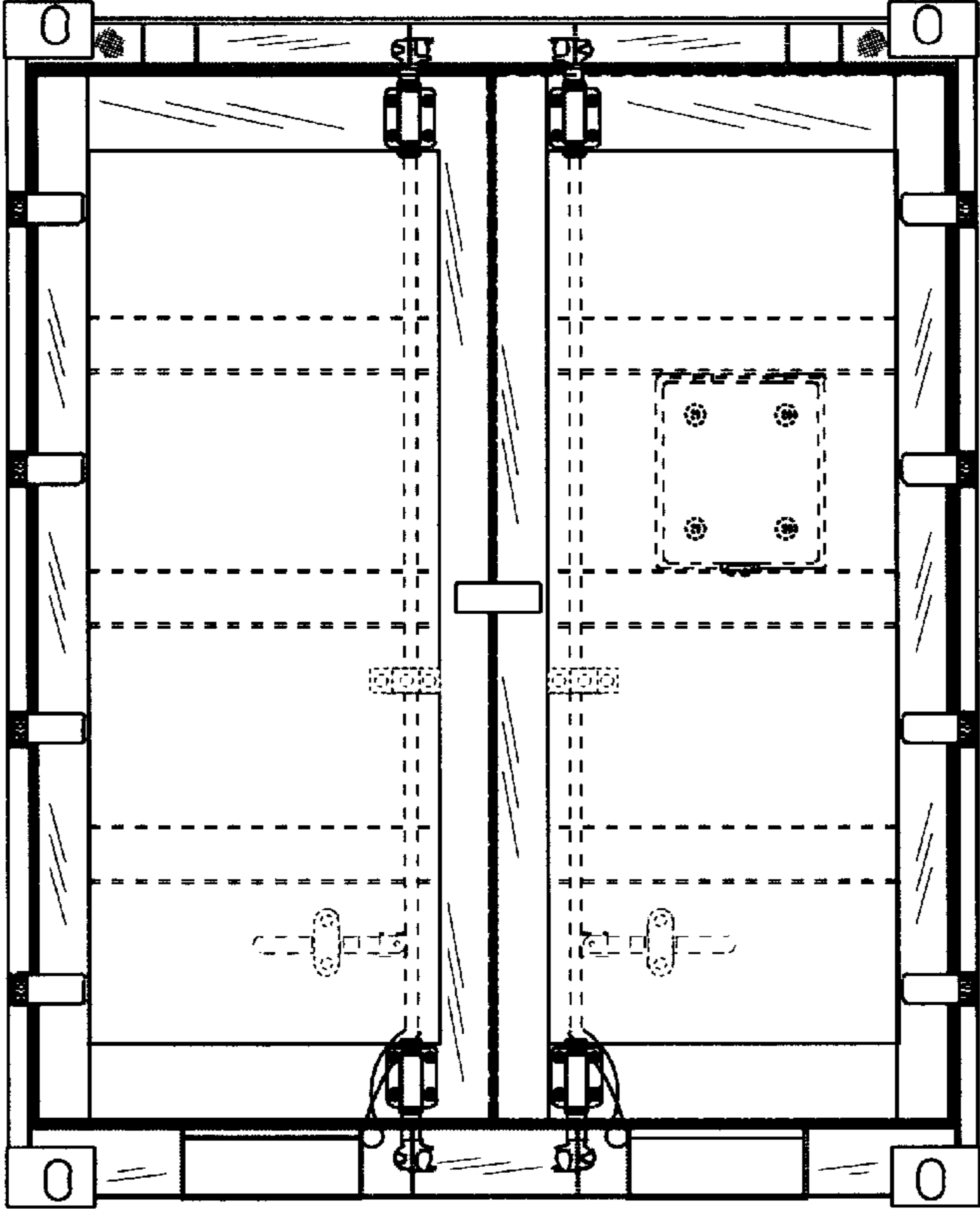


FIG. 4

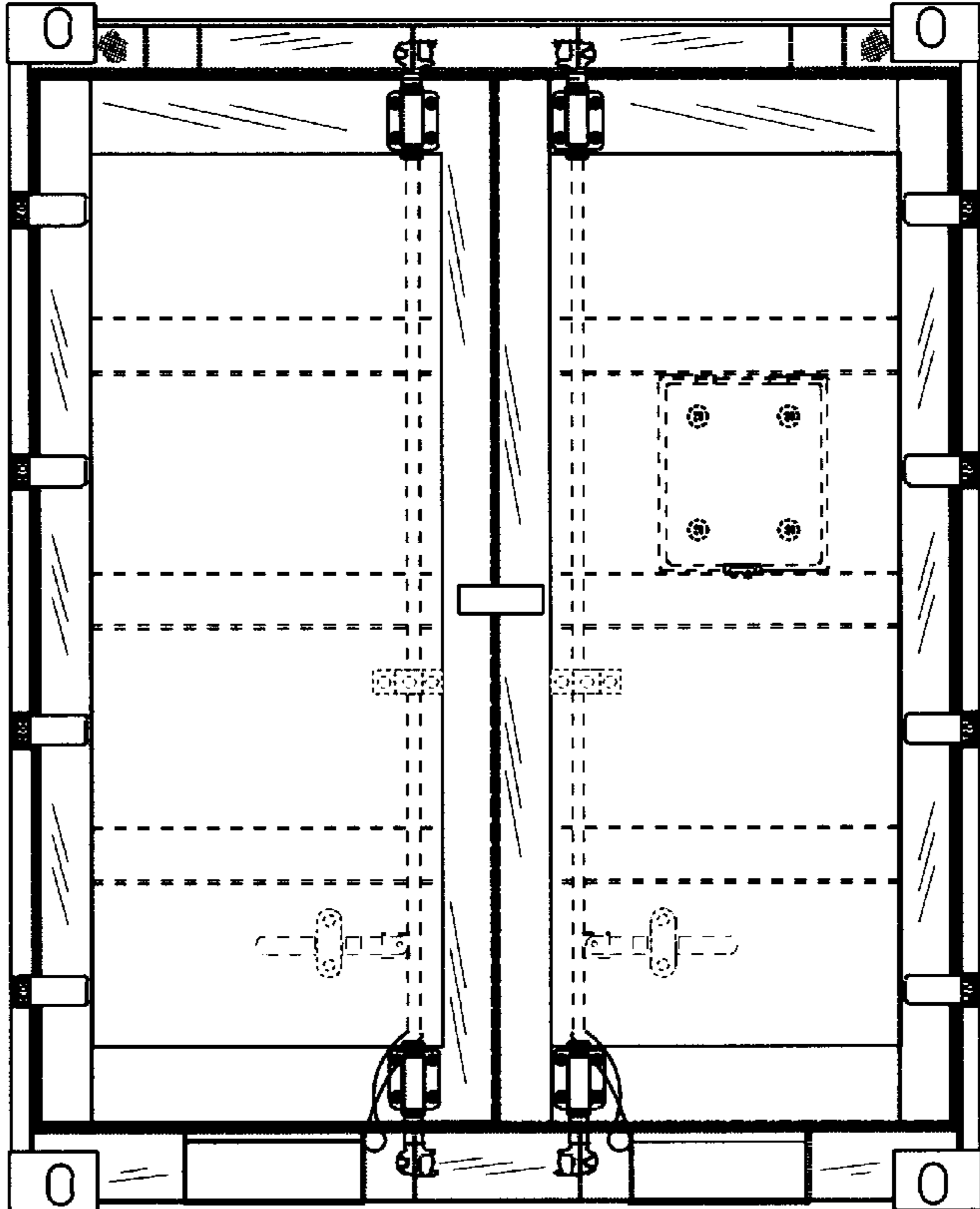


FIG. 5

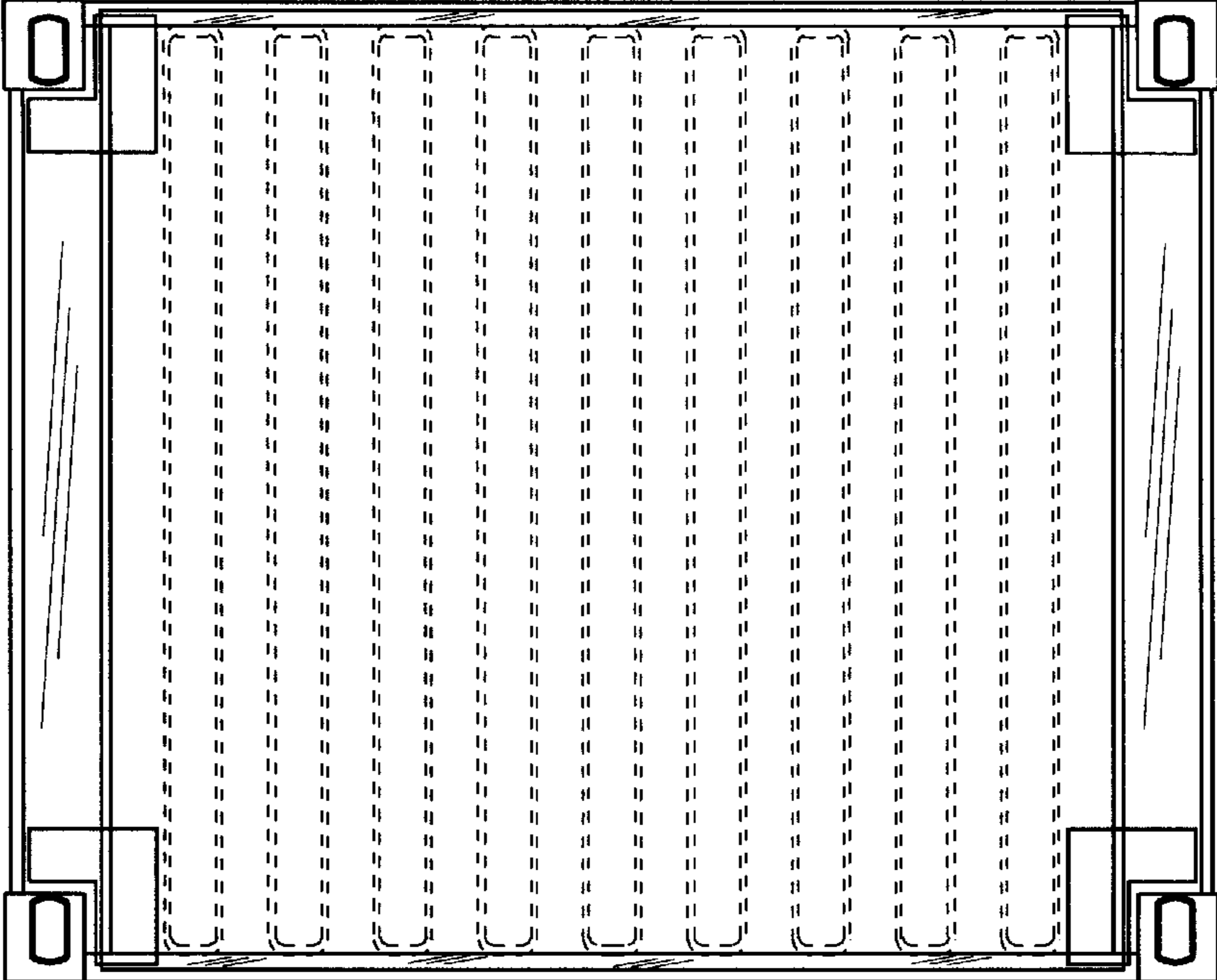


FIG. 6

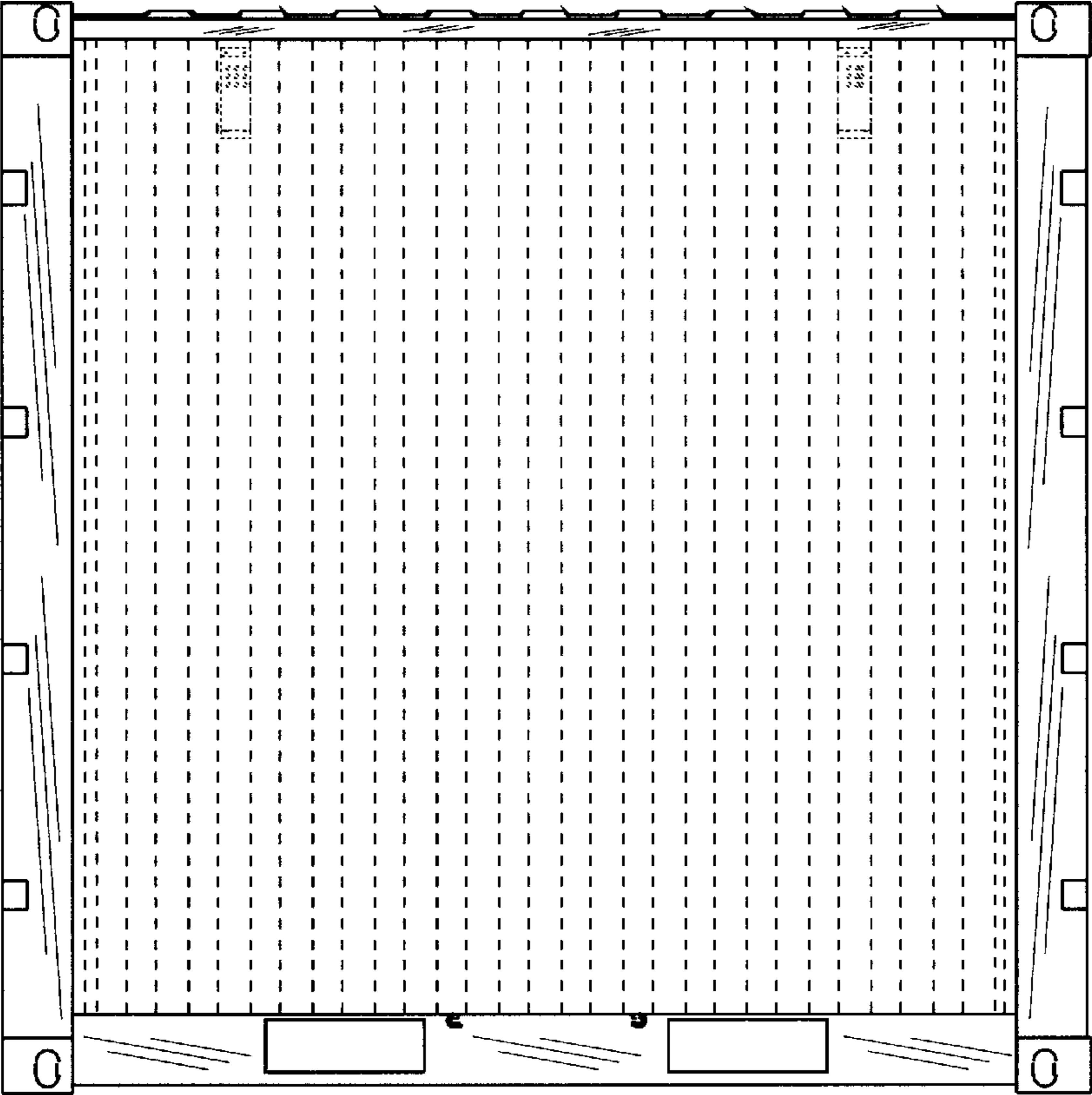


FIG. 7

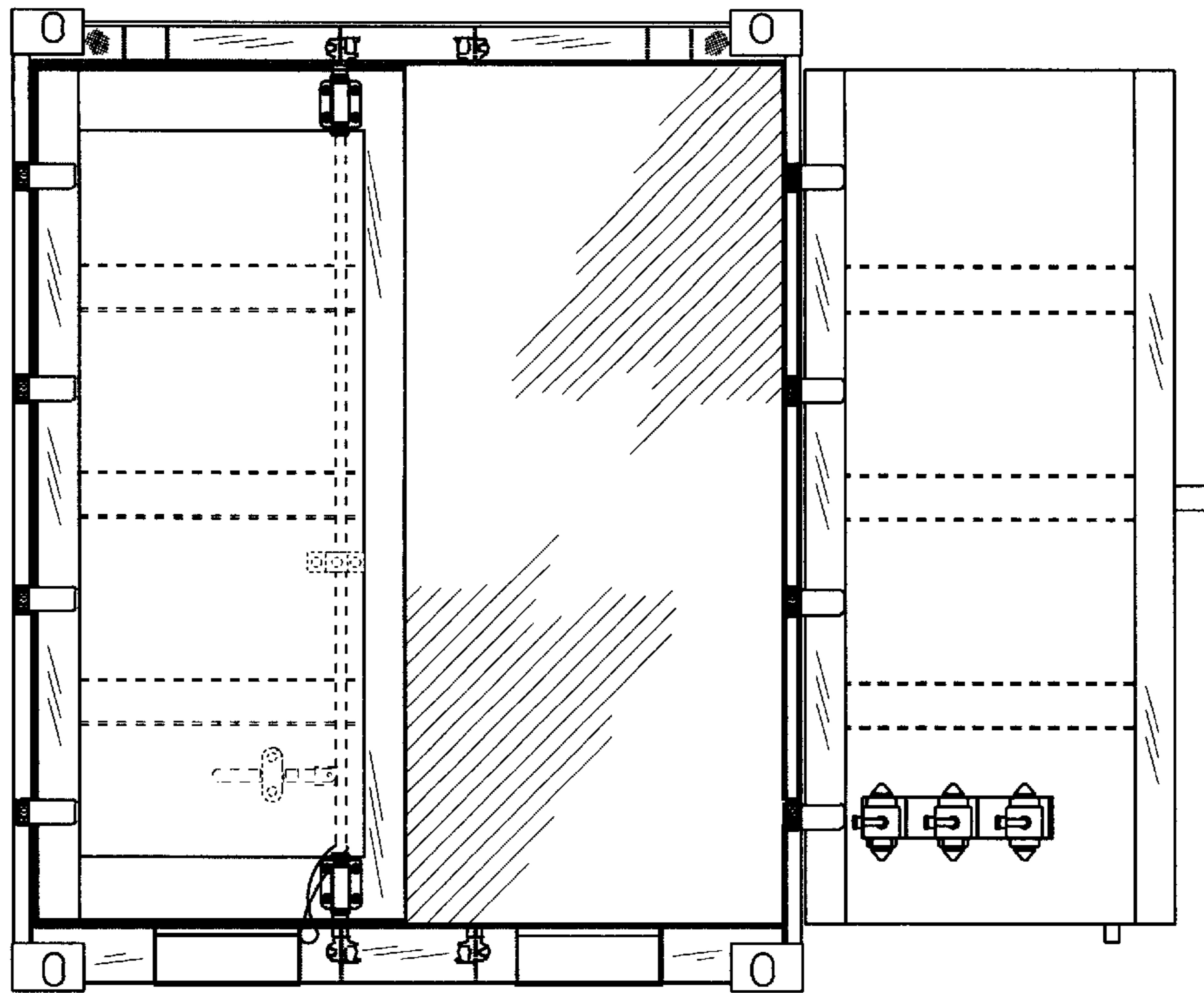


FIG. 8

