



US00D502546S

(12) **United States Design Patent**
Shin

(10) **Patent No.:** **US D502,546 S**
(45) **Date of Patent:** **** Mar. 1, 2005**

(54) **STERILIZER FOR TOOTHBRUSH**

(75) **Inventor:** **Choong-Sik Shin, Seoul (KR)**

(73) **Assignee:** **Escencia Co., Ltd., Seoul (KR)**

(**) **Term:** **14 Years**

(21) **Appl. No.:** **29/191,770**

(22) **Filed:** **Oct. 15, 2003**

(30) **Foreign Application Priority Data**

Apr. 15, 2003 (KR) 30-2003-0010468

(51) **LOC (7) Cl.** **24-01**

(52) **U.S. Cl.** **D24/217; D6/534**

(58) **Field of Search** D24/217, 232;
D6/528, 534; 422/24, 300, 297, 26, 28,
299, 305, 292, 27; 250/491.1, 455.11; 206/362,
369, 209.1, 210, 363, 368, 370

(56) **References Cited**

U.S. PATENT DOCUMENTS

1,992,564	A	*	2/1935	Amdur	422/300
D281,476	S	*	11/1985	Smith, Jr.	D6/432
4,906,851	A	*	3/1990	Beasley et al.	250/455.11
5,127,521	A	*	7/1992	Bourque	206/362.1
D368,143	S	*	3/1996	Willows et al.	D24/232
D461,670	S	*	8/2002	Hill	D6/528

2002/0122743 A1 * 9/2002 Huang 422/24

* cited by examiner

Primary Examiner—Ian Simmons

(74) *Attorney, Agent, or Firm*—Piper Rudnick LLP

(57) **CLAIM**

The ornamental design for a sterilizer for toothbrush, as shown and described.

DESCRIPTION

The claimed sterilizer for toothbrush will be intended to use in the sanitary goods field. The sterilizer for toothbrush is made from acrylic plastic; The claimed sterilizer for toothbrush shows the effect of mirror using translucent glass (half mirror) material in the center of front side; as shown in FIG. 8, it has the structure that toothbrushes can be placed inside. FIG. 1 is a front and left perspective view of a sterilizer for toothbrush, showing my new design; FIG. 2 is a front elevational view thereof; FIG. 3 is a rear view thereof; FIG. 4 is a left side elevational view thereof; FIG. 5 is a right side elevational view thereof; FIG. 6 is a top plan view thereof; FIG. 7 is a bottom plan view thereof; and, FIG. 8 is a front and right perspective view thereof, shown with the door in open condition.

1 Claim, 8 Drawing Sheets

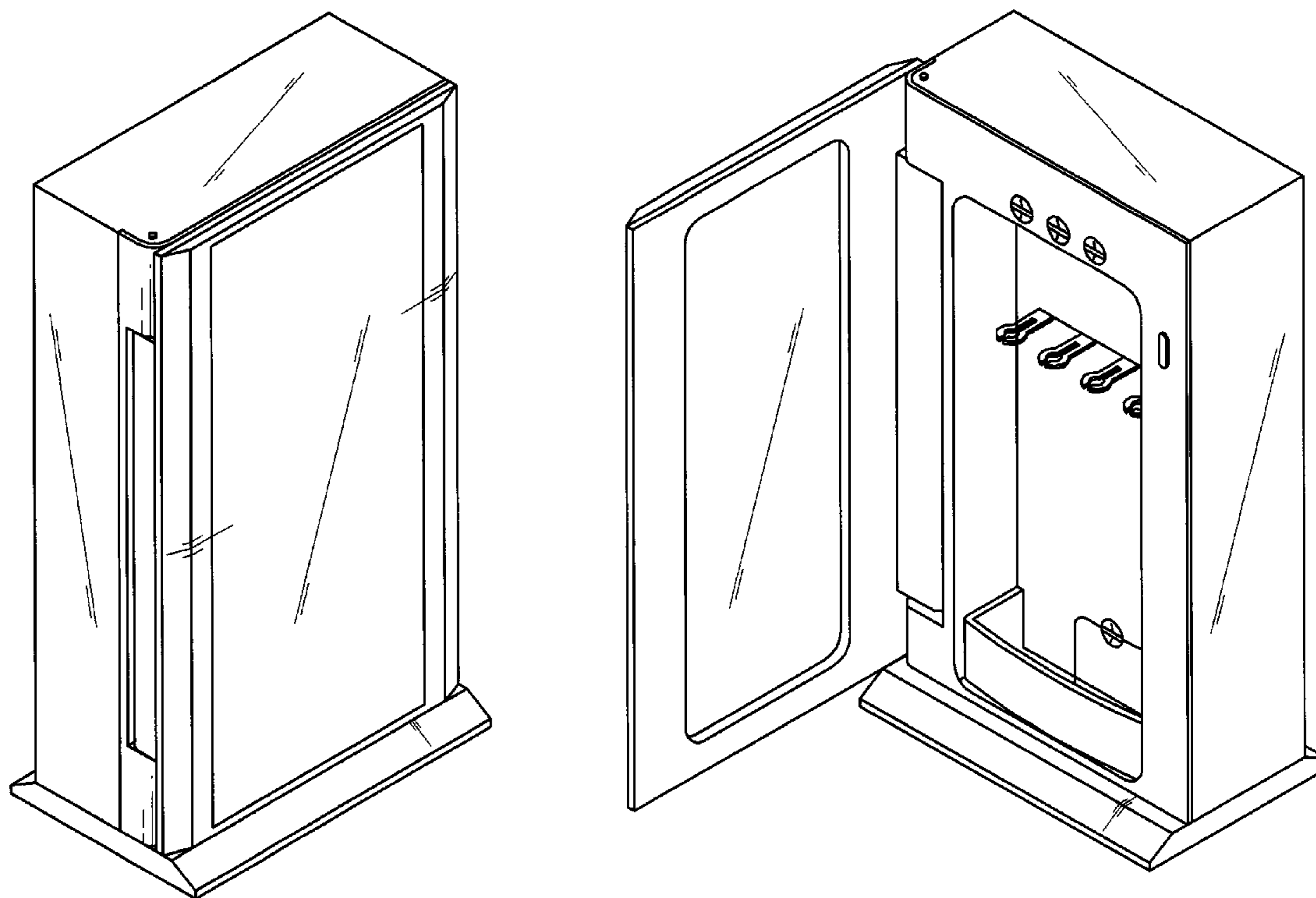


FIG. 1

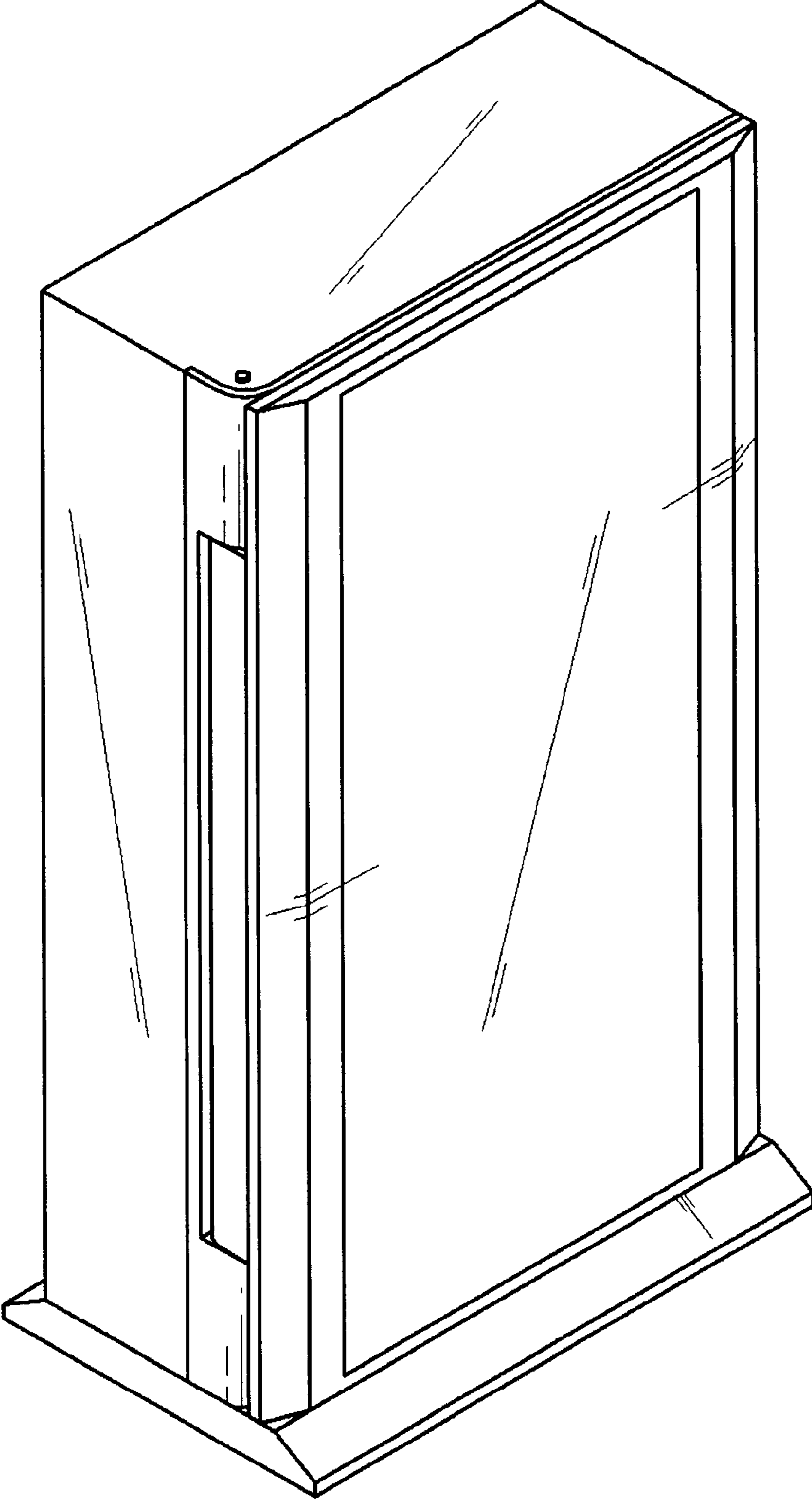


FIG. 2

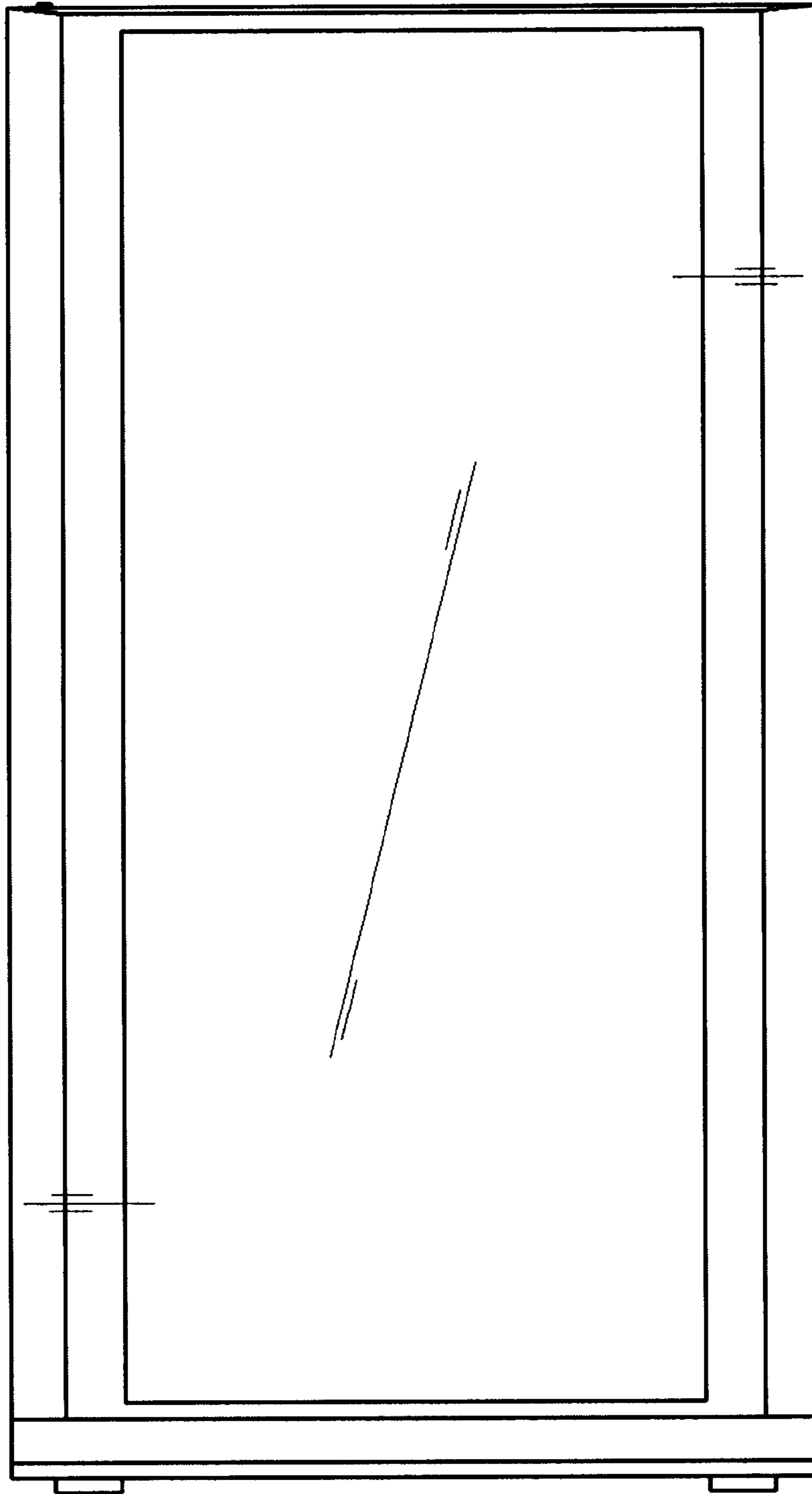


FIG. 3

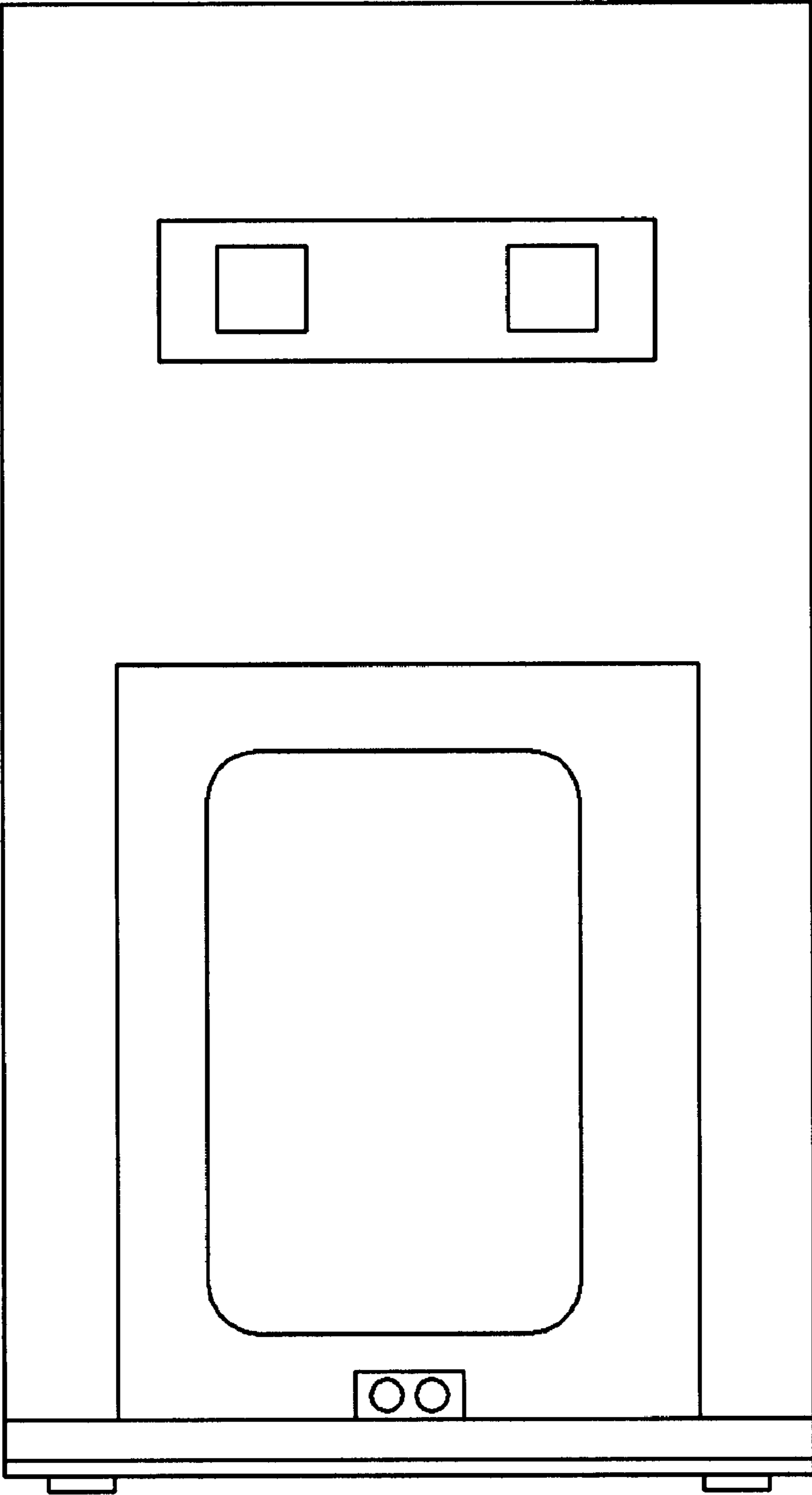


FIG. 4

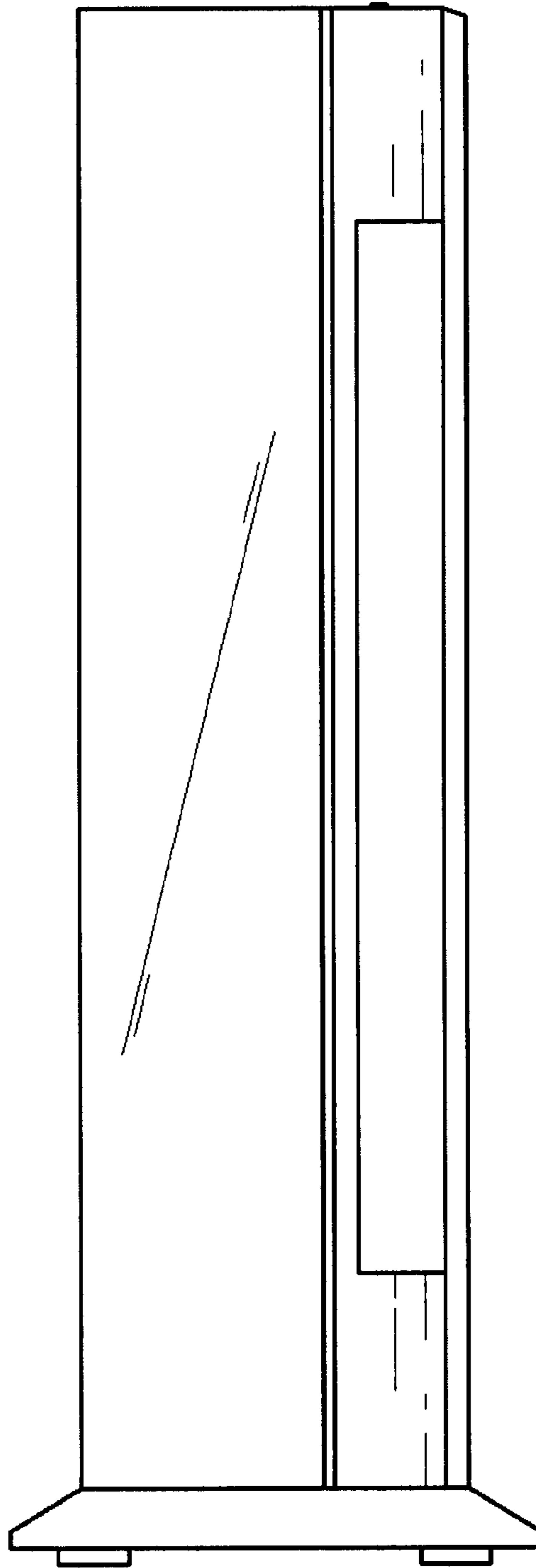


FIG. 5

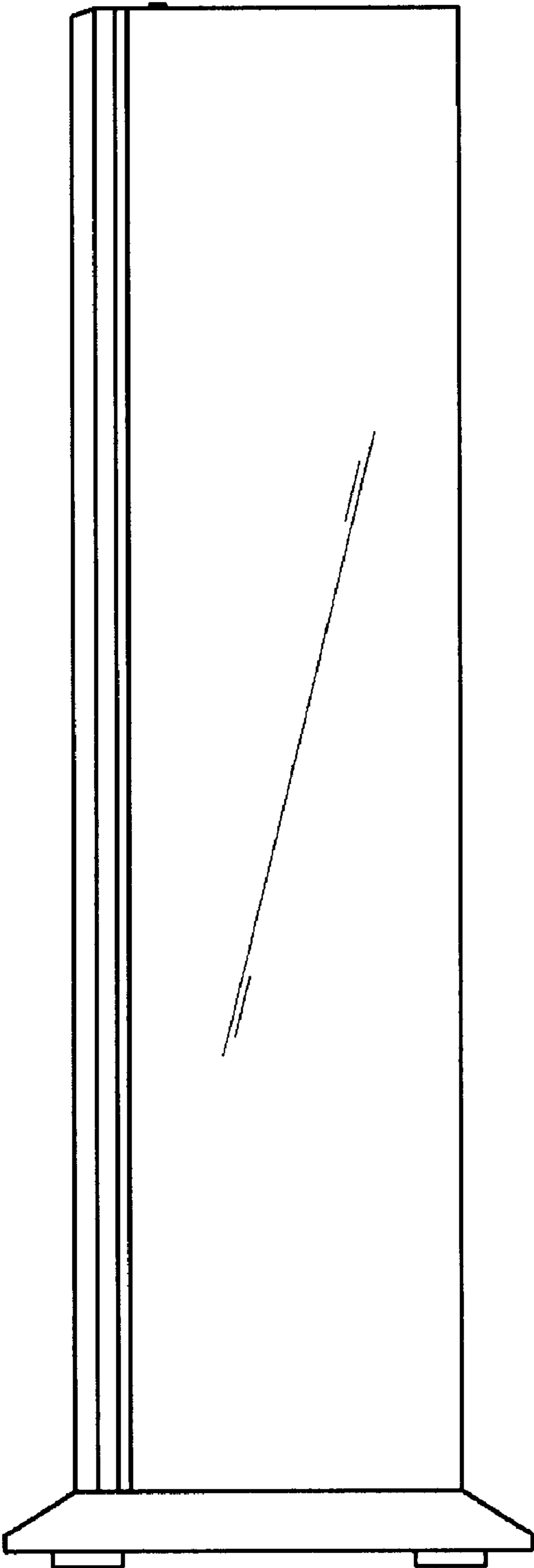


FIG. 6

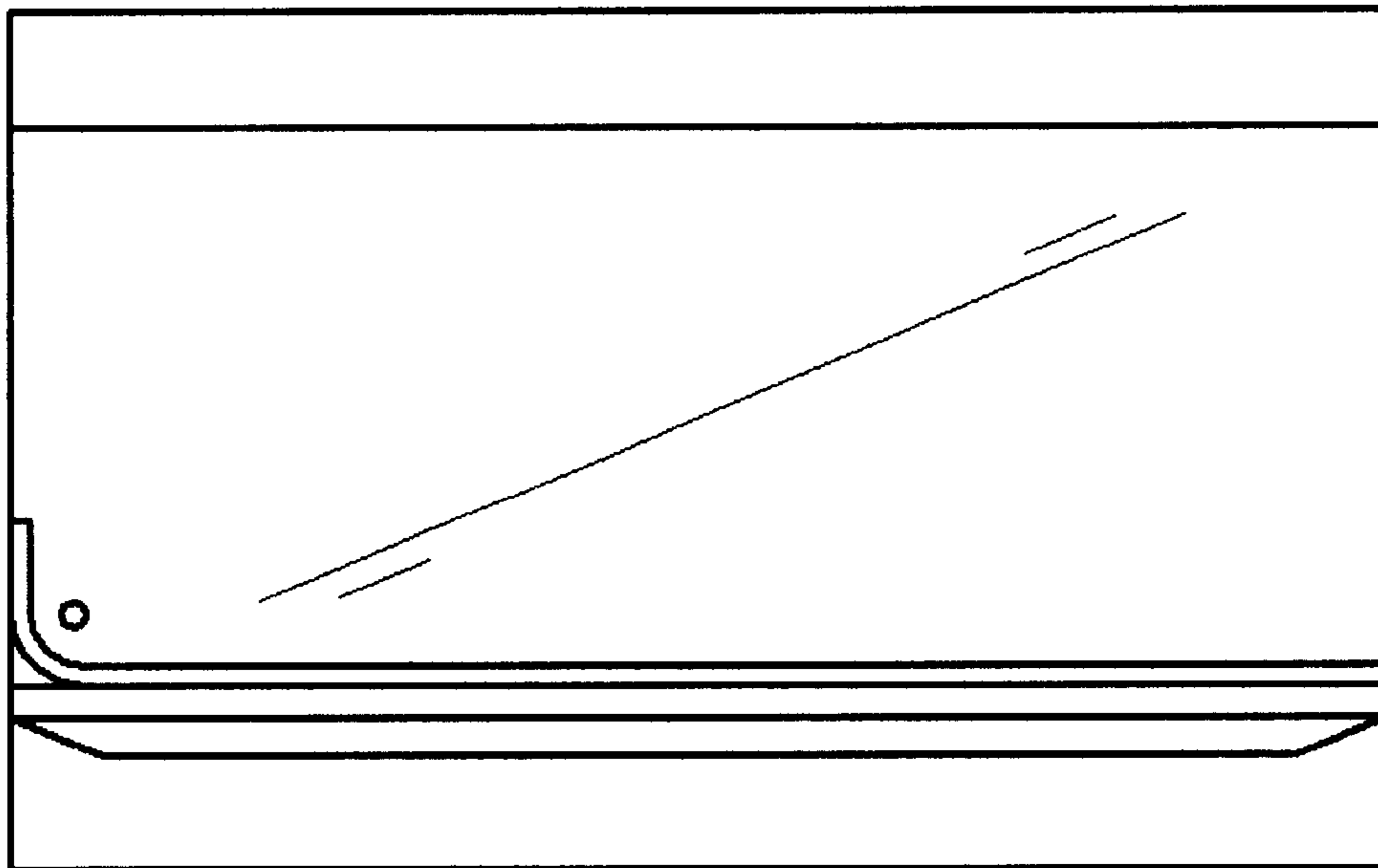


FIG. 7

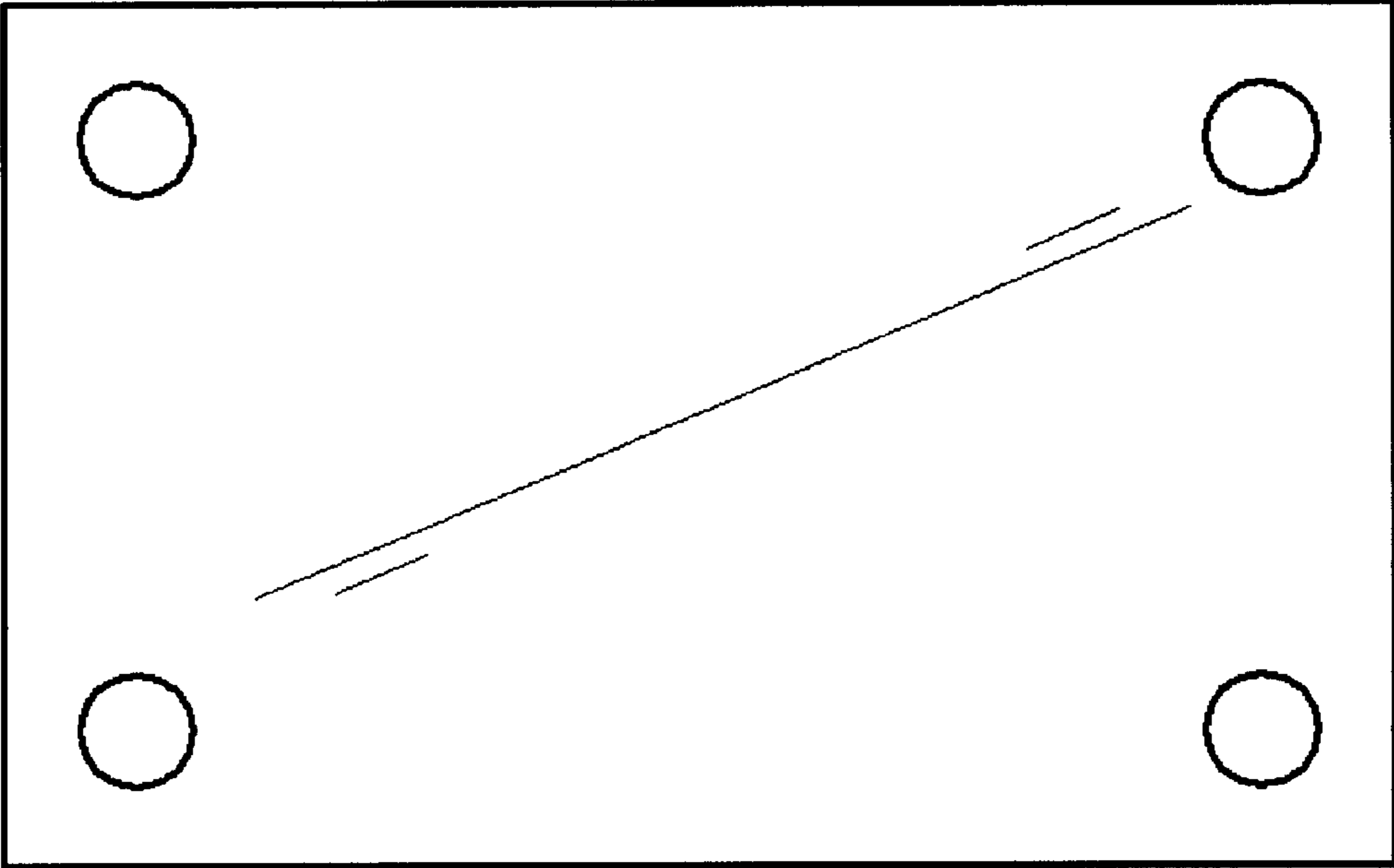


FIG. 8

