

US00D502544S

(12) **United States Design Patent**
Anderson

(10) **Patent No.:** **US D502,544 S**
(45) **Date of Patent:** **** Mar. 1, 2005**

(54) **TEMPERATURE CONTROLLED SUPPORT FOR LABORATORY ANIMALS USED IN AN ANESTHESIA APPARATUS**

(75) **Inventor:** **Leslie B Anderson**, Easton, PA (US)

(73) **Assignee:** **Medico International, Inc.**, Palmer, PA (US)

(**) **Term:** **14 Years**

(21) **Appl. No.:** **29/171,676**

(22) **Filed:** **Nov. 26, 2002**

(51) **LOC (7) Cl.** **24-01**

(52) **U.S. Cl.** **D24/164**

(58) **Field of Search** D24/110, 164;
219/217, 219, 211, 212, 528, 529, 549

(56) **References Cited**

U.S. PATENT DOCUMENTS

4,591,694 A *	5/1986	Phillips	219/217
5,371,340 A *	12/1994	Stanfield	219/217
6,189,487 B1 *	2/2001	Owen et al.	119/28.5

* cited by examiner

Primary Examiner—Stella Reid

(74) *Attorney, Agent, or Firm*—Dann, Dorfman, Herrell and Skillman; Henry H. Skillman

(57) **CLAIM**

The ornamental design for a temperature controlled support for laboratory animals used in an anesthesia apparatus, as shown and described.

DESCRIPTION

FIG. 1 is a top perspective view of a temperature controlled support for laboratory animals used in an anesthesia apparatus, showing my new design;

FIG. 2 is a left end elevation view thereof;

FIG. 3 is a right end elevation view thereof;

FIG. 4 is a top plan view thereof;

FIG. 5 is a bottom plan view thereof;

FIG. 6 is a front elevation view thereof, the rear elevation view being a mirror image thereof;

FIG. 7 is a top perspective view of a second embodiment of the temperature controlled support for laboratory animals used in anesthesia apparatus, showing my new design;

FIG. 8 is a left end elevation view thereof;

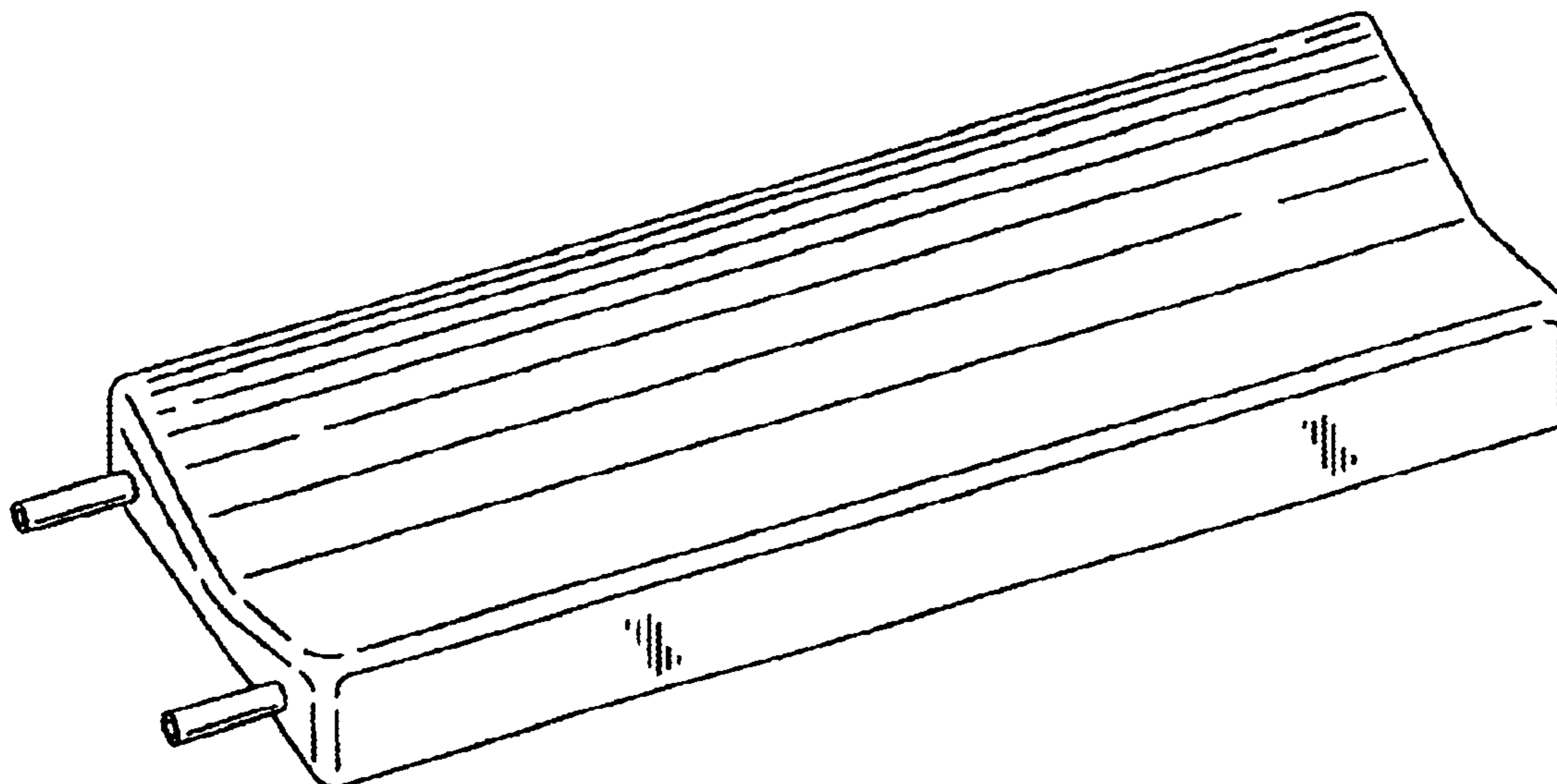
FIG. 9 is a right end elevation view thereof;

FIG. 10 is a top plan view thereof;

FIG. 11 is a bottom plan view thereof; and,

FIG. 12 is a front elevation view thereof, the rear elevation view being a mirror image thereof.

1 Claim, 4 Drawing Sheets



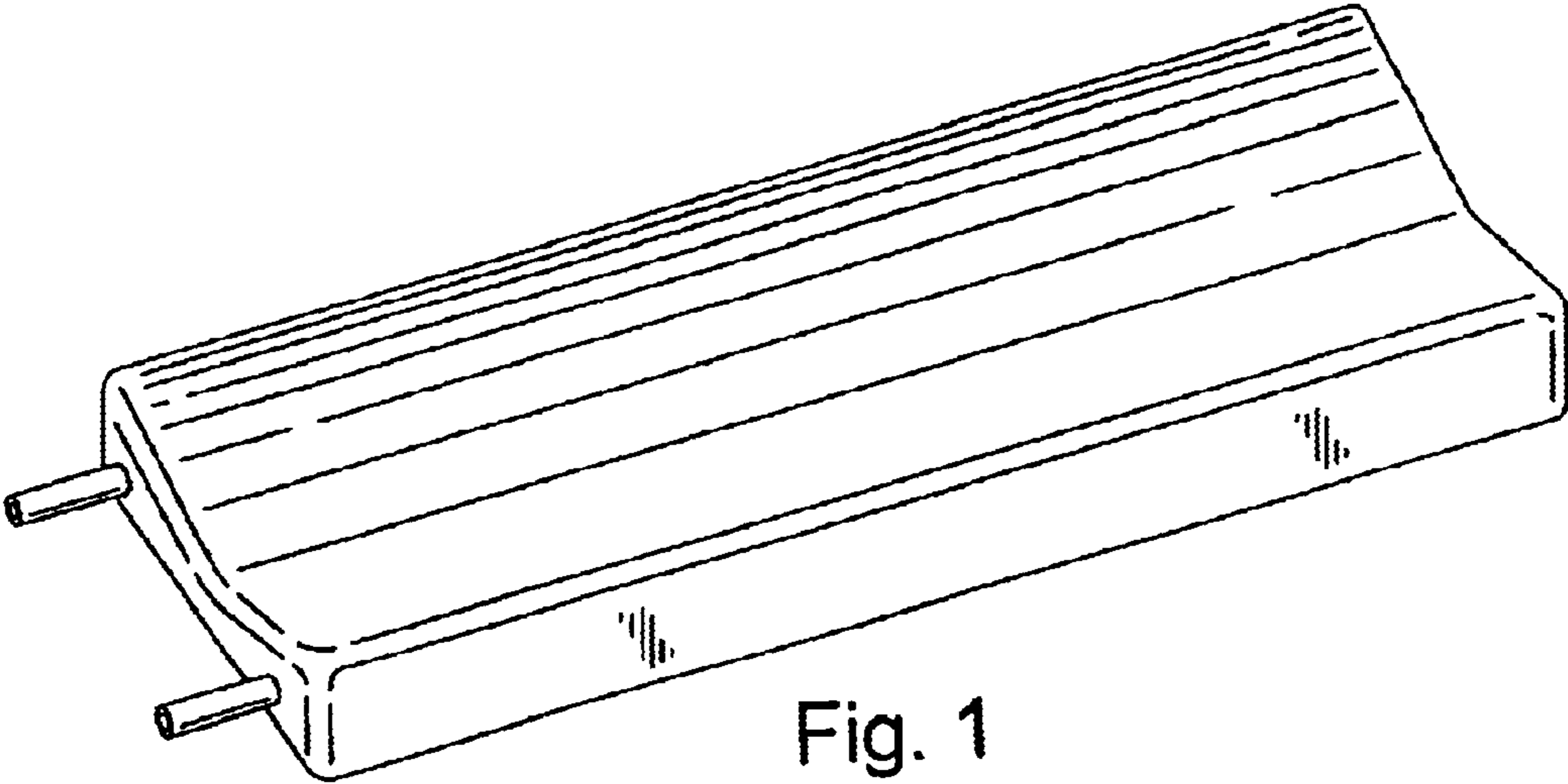


Fig. 1



Fig. 2

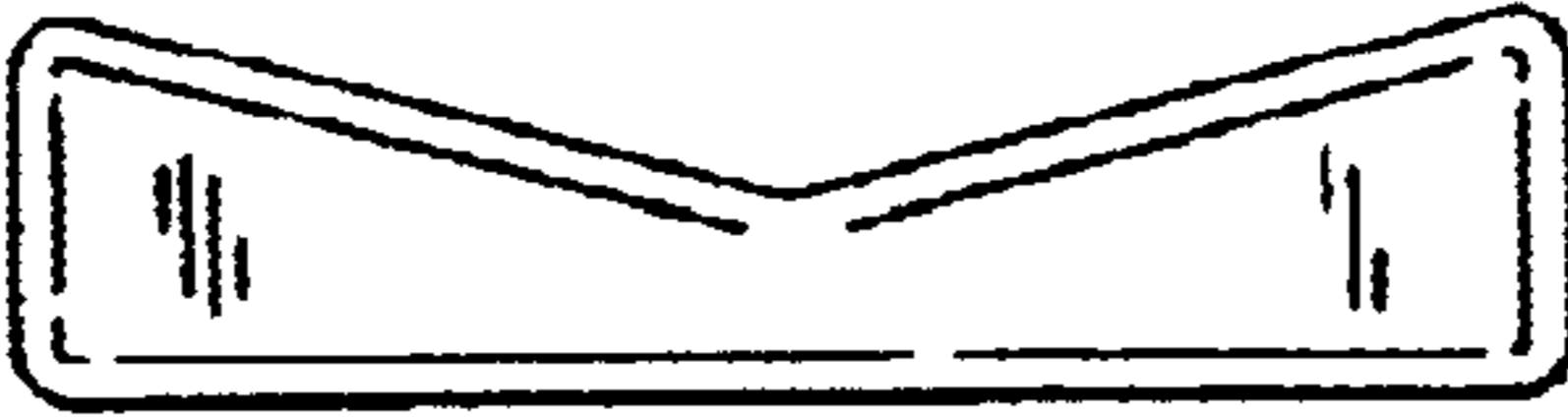


Fig. 3

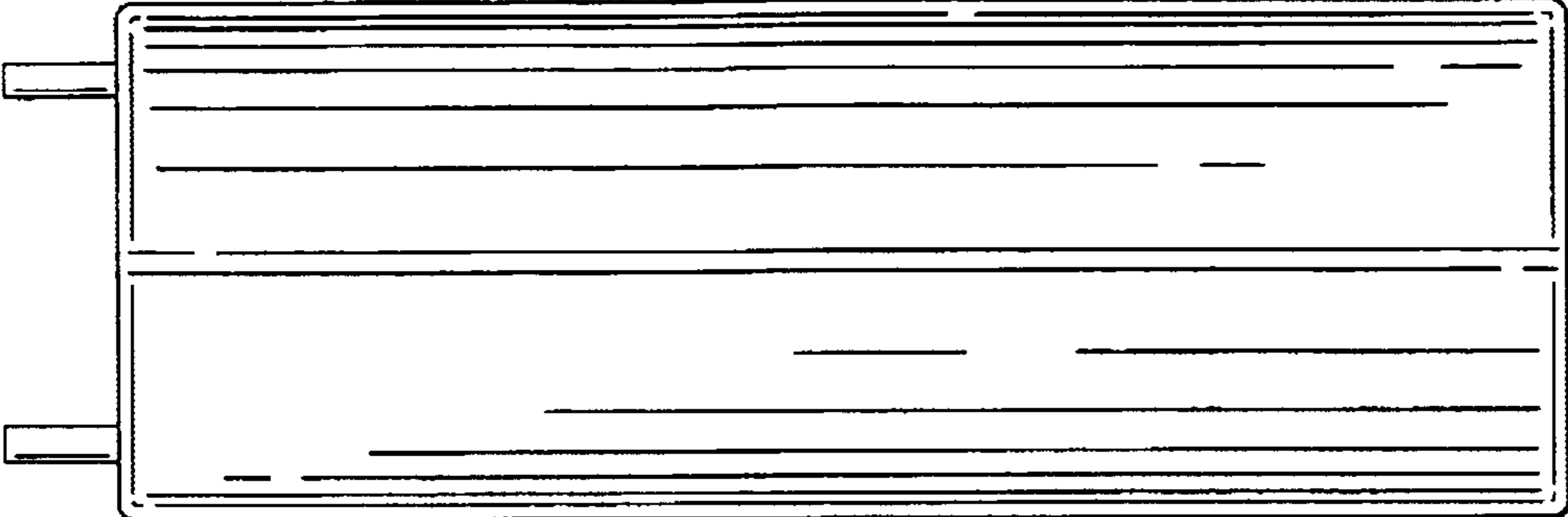


Fig. 4

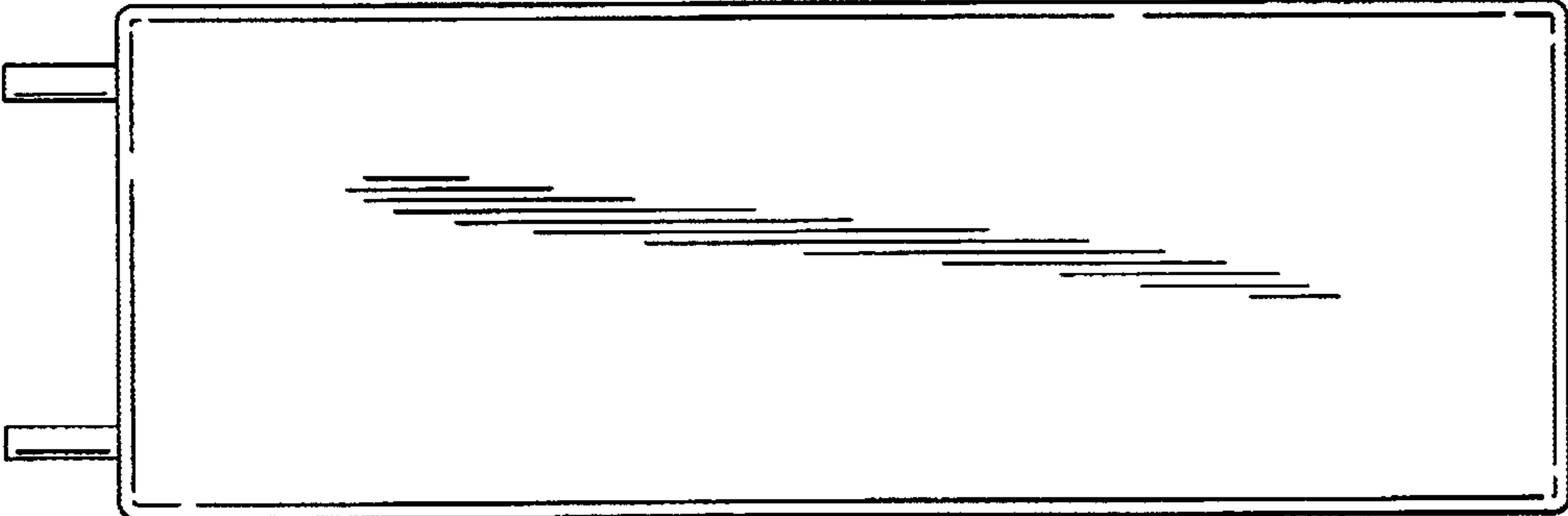


Fig. 5

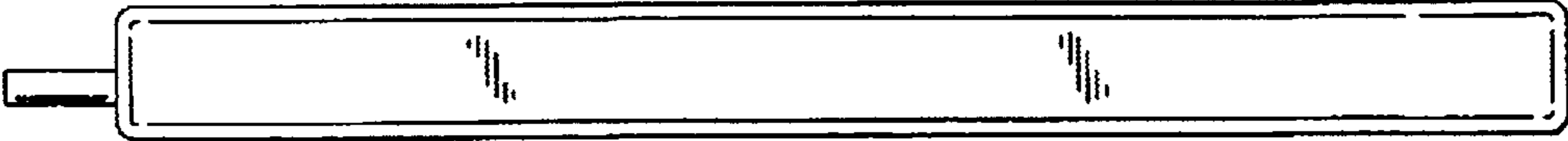


Fig. 6

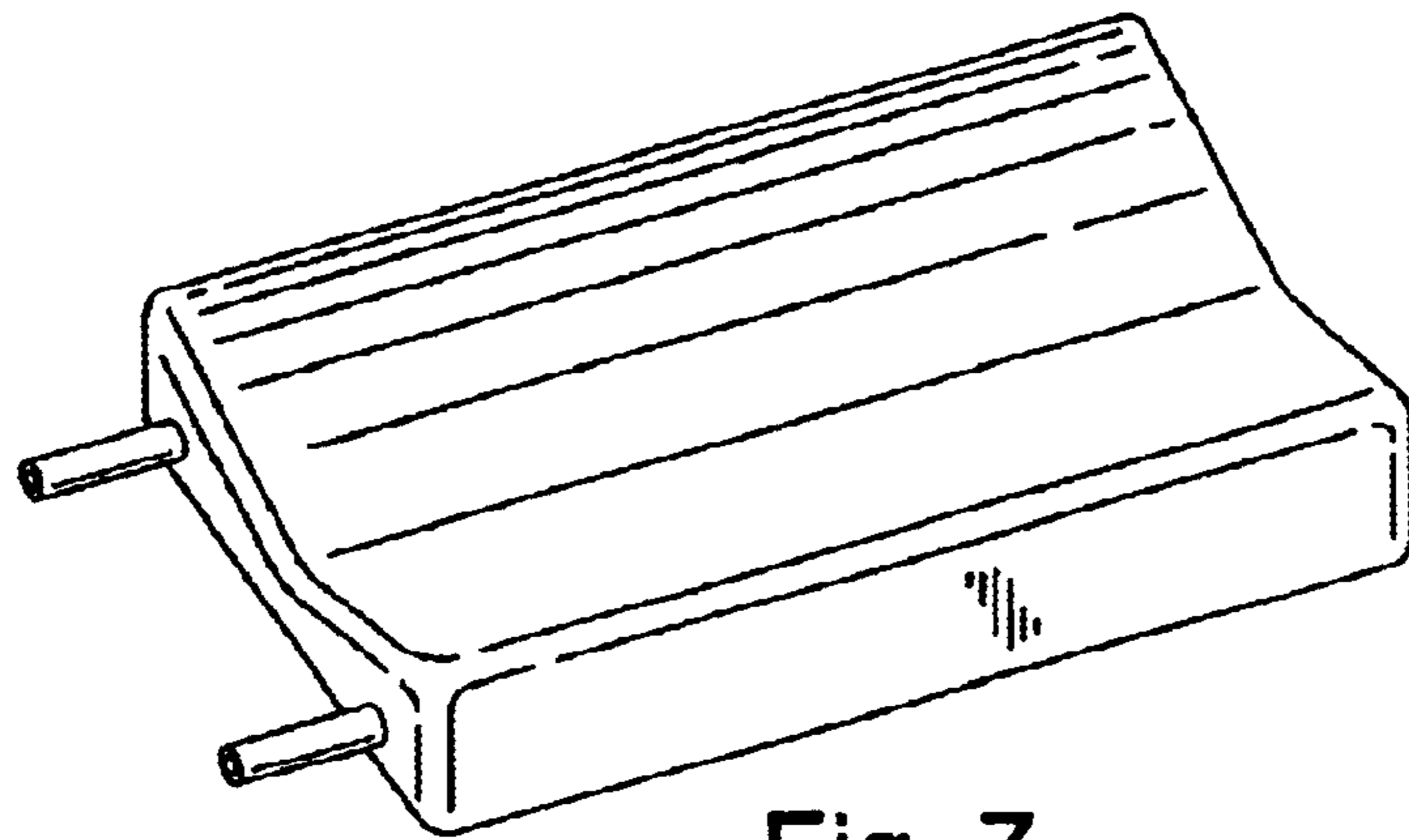


Fig. 7



Fig. 8

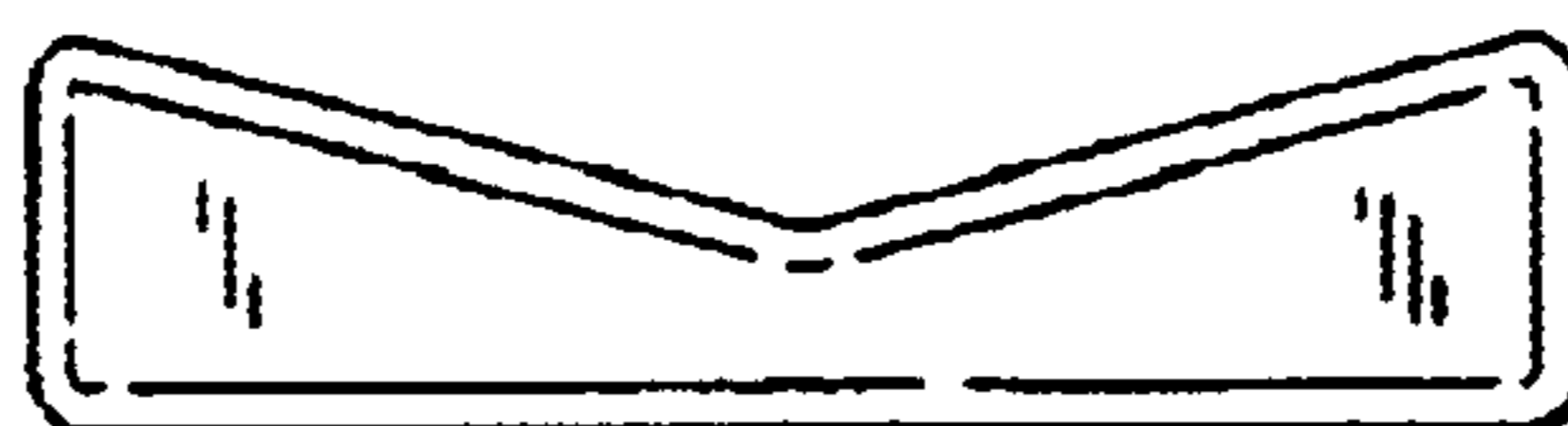


Fig. 9

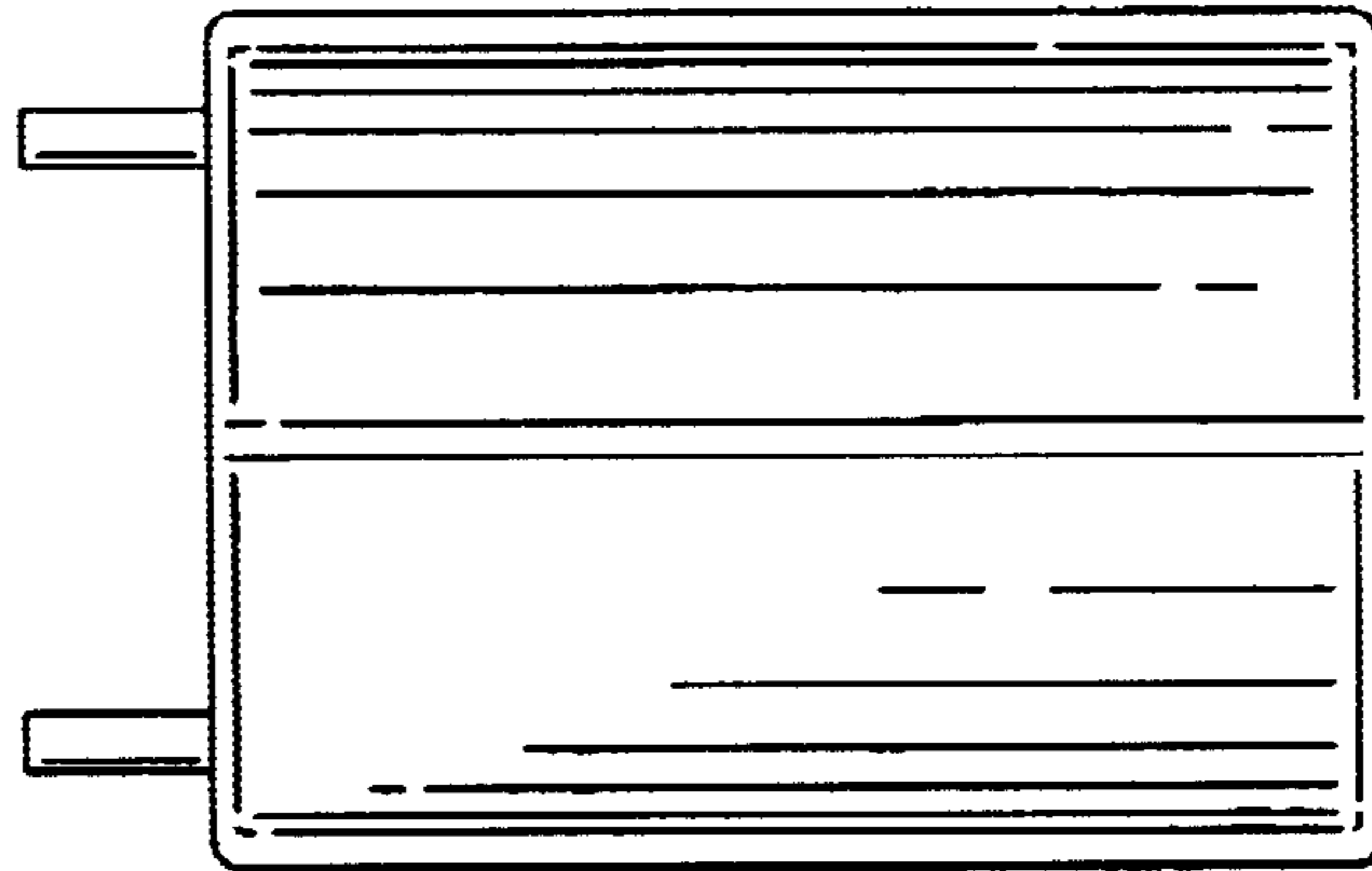


Fig. 10

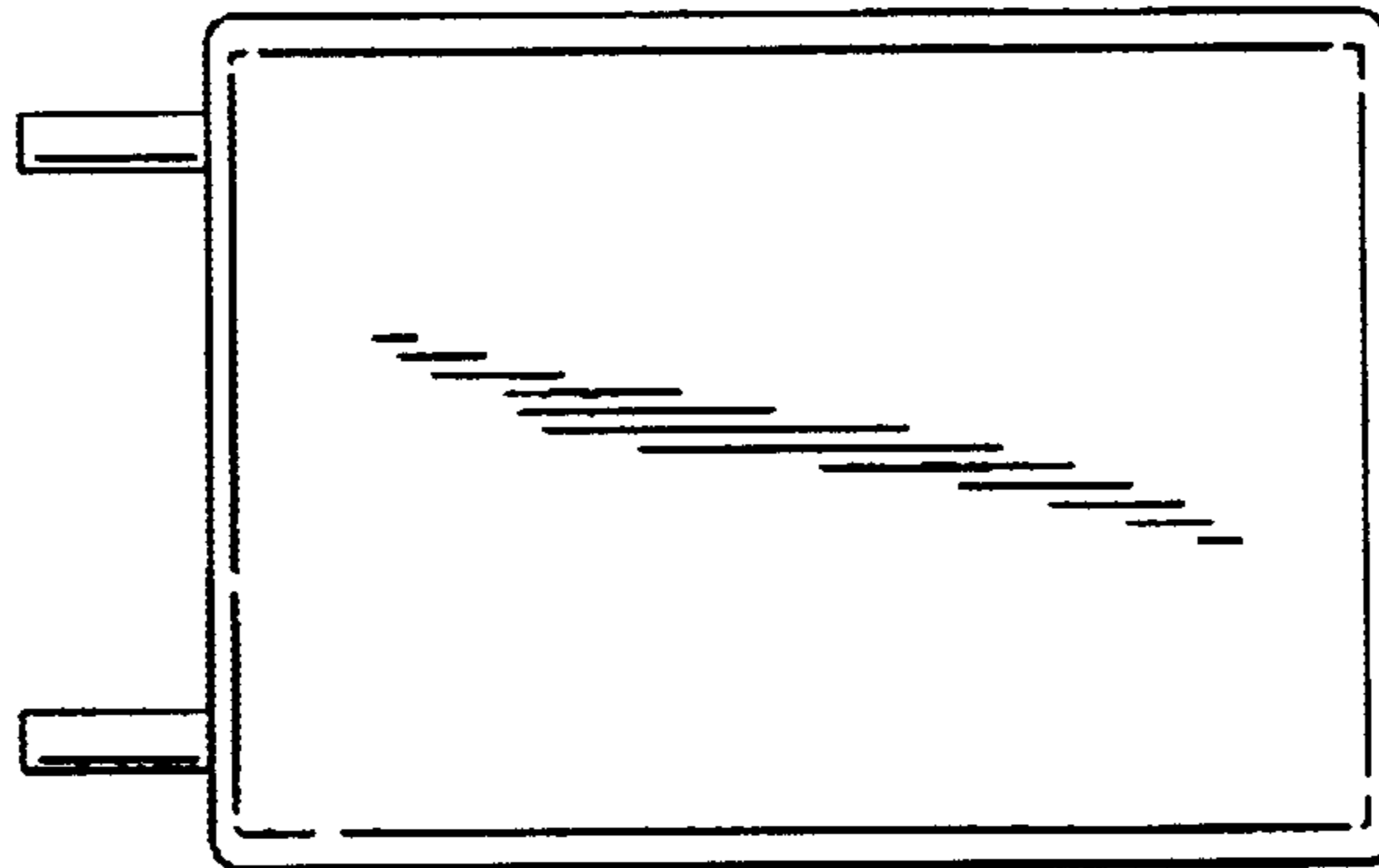


Fig. 11

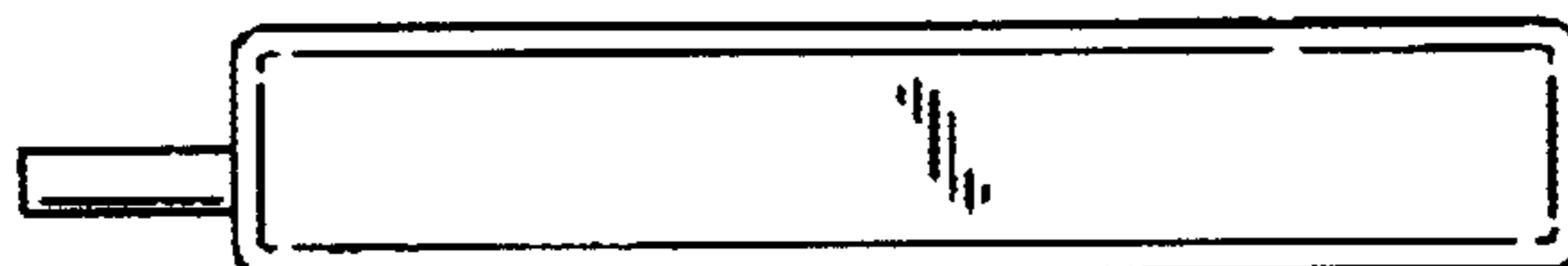


Fig. 12