



US00D502543S

(12) **United States Design Patent**
Phleps et al.

(10) **Patent No.: US D502,543 S**
(45) **Date of Patent: ** Mar. 1, 2005**

(54) **DENTAL X-RAY MACHINE**
(75) Inventors: **Tilman Phleps**, Lorsch (DE); **Thomas Blümel**, Mohrendorf (DE); **Klaus Stöckl**, Bensheim (DE)

5,058,147 A * 10/1991 Nishikawa et al. 378/38
6,169,780 B1 * 1/2001 Yoshimura et al. 378/39
6,424,694 B1 * 7/2002 Molteni et al. 378/38
6,466,641 B1 * 10/2002 Virta et al. 378/38

* cited by examiner

(73) Assignee: **Sirona Dental Systems GmbH**, Bensheim (DE)

Primary Examiner—Stella Reid
(74) *Attorney, Agent, or Firm*—Dykema Gossett PLLC

(**) Term: **14 Years**

(57) **CLAIM**

(21) Appl. No.: **29/190,411**

The ornamental design for a dental x-ray machine, as shown and described.

(22) Filed: **Sep. 22, 2003**

DESCRIPTION

(30) **Foreign Application Priority Data**

Mar. 19, 2003 (DE) 403 02 215

This application relates to application Ser. No. 29/190,410, filed on even date herewith, naming the same inventors and entitled handle for dental x-ray machine.

(51) **LOC (7) Cl.** **24-01**

FIG. 1 is a right side perspective view of a dental x-ray machine showing my new design;

(52) **U.S. Cl.** **D24/158**

FIG. 2 is a left side elevational view thereof;

(58) **Field of Search** D24/158; 378/38-40, 378/167, 168, 180, 197

FIG. 3 is a right side elevational view thereof;

FIG. 4 is a front elevational view thereof;

FIG. 5 is a top plan view thereof;

FIG. 6 is a bottom plan view thereof; and,

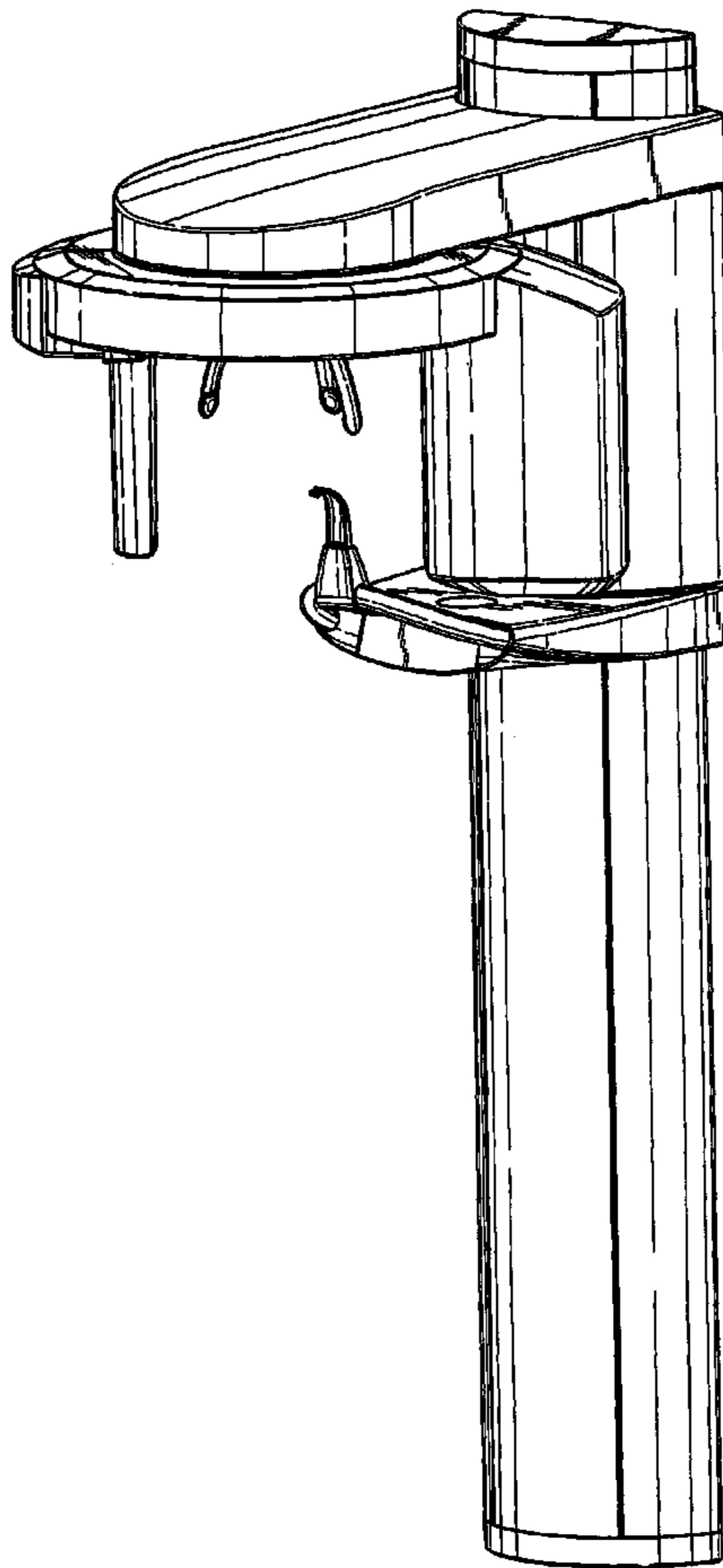
FIG. 7 is a rear view thereof.

(56) **References Cited**

U.S. PATENT DOCUMENTS

4,242,585 A * 12/1980 Yamano 378/39
D272,385 S * 1/1984 Nakano et al. D24/158

1 Claim, 6 Drawing Sheets



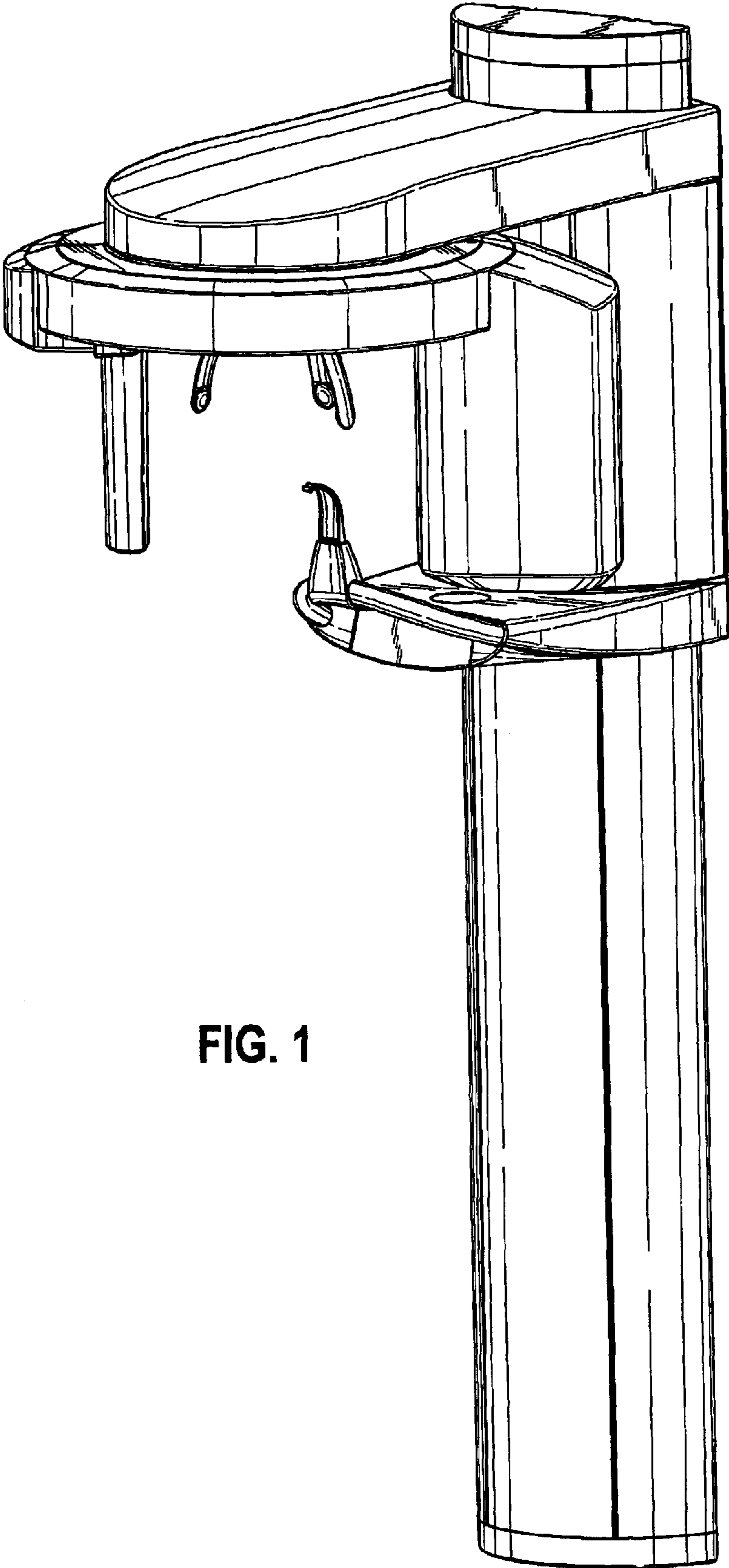


FIG. 1

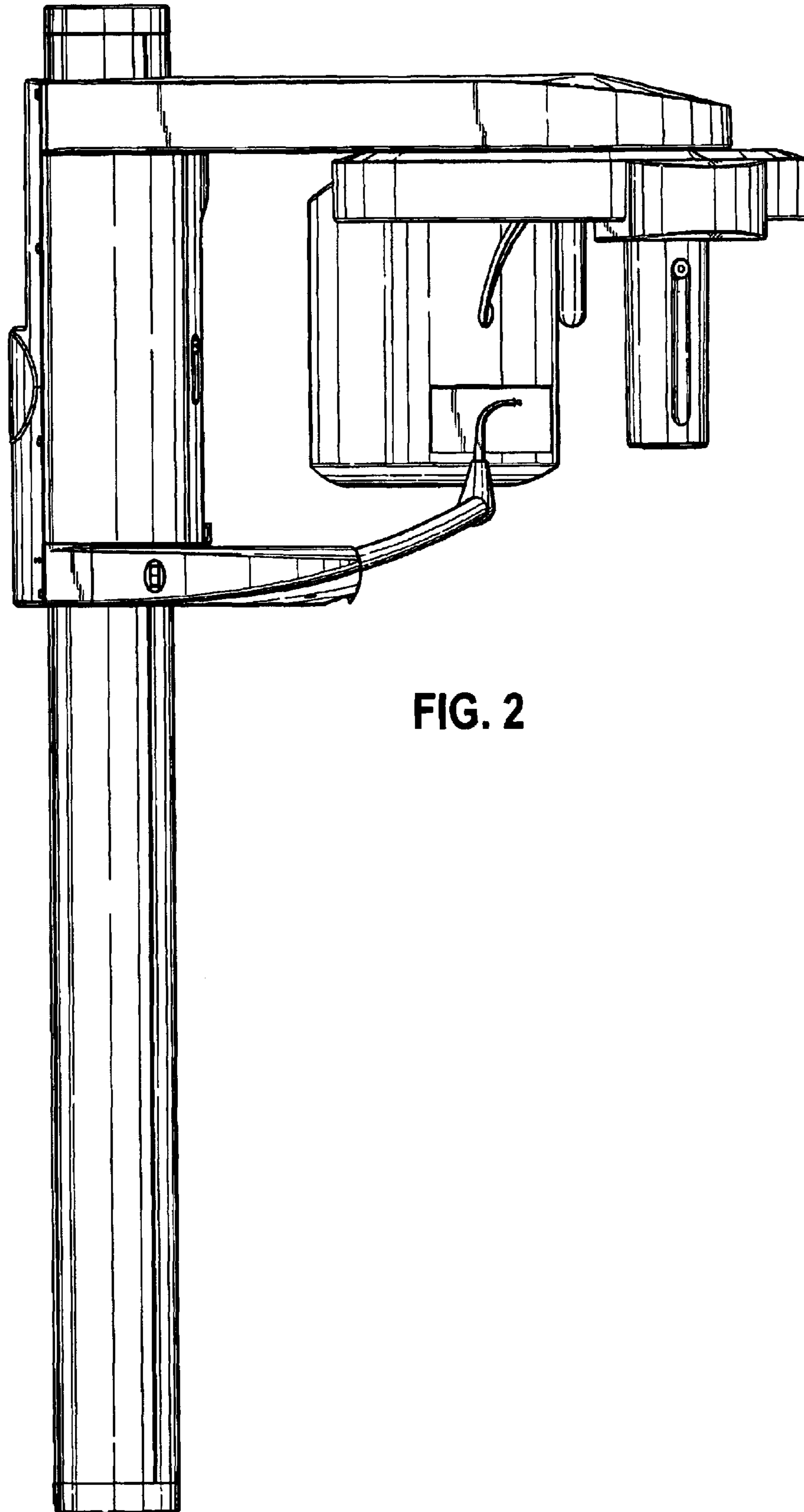


FIG. 2

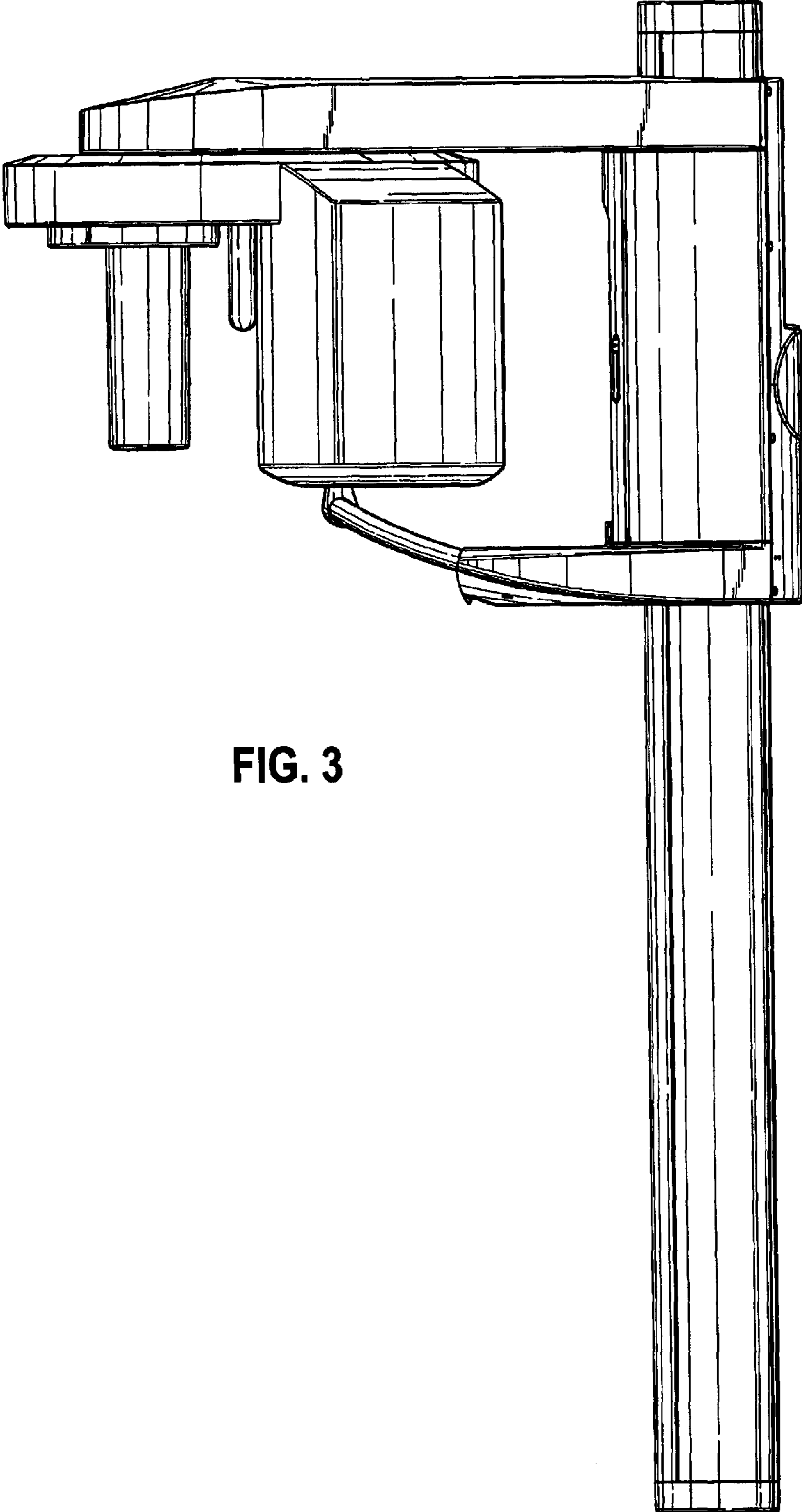


FIG. 3

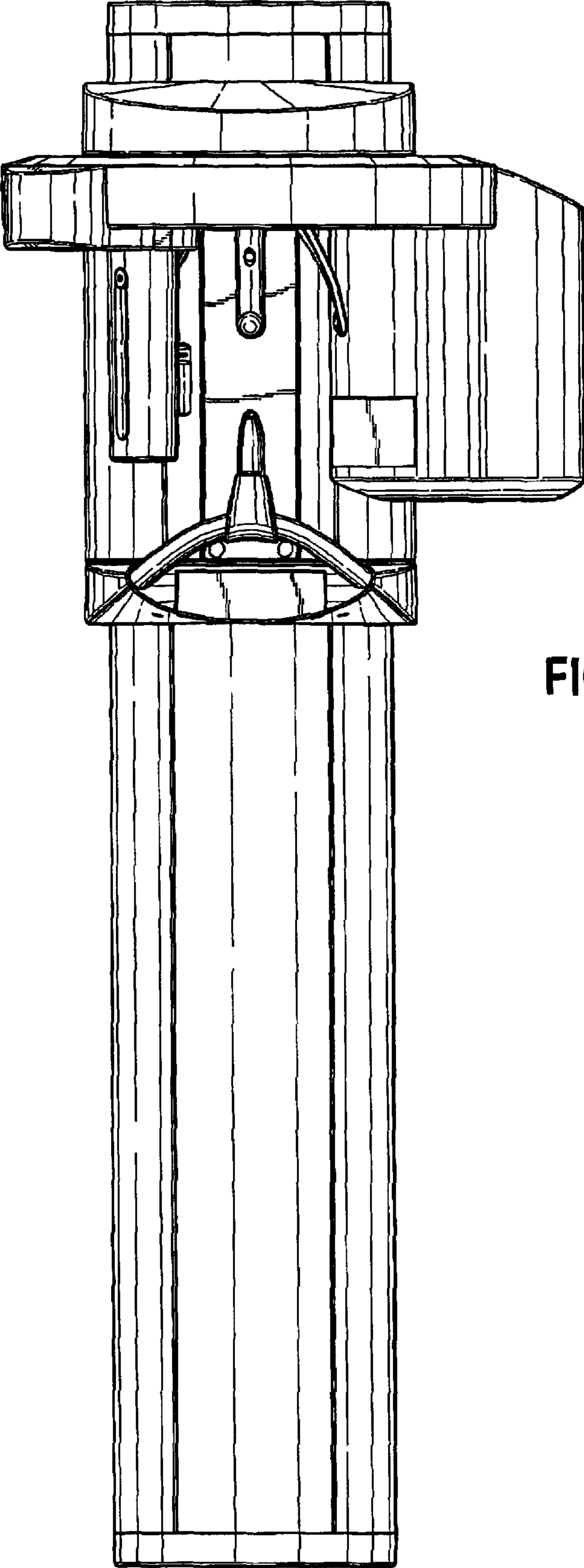


FIG. 4

FIG. 5

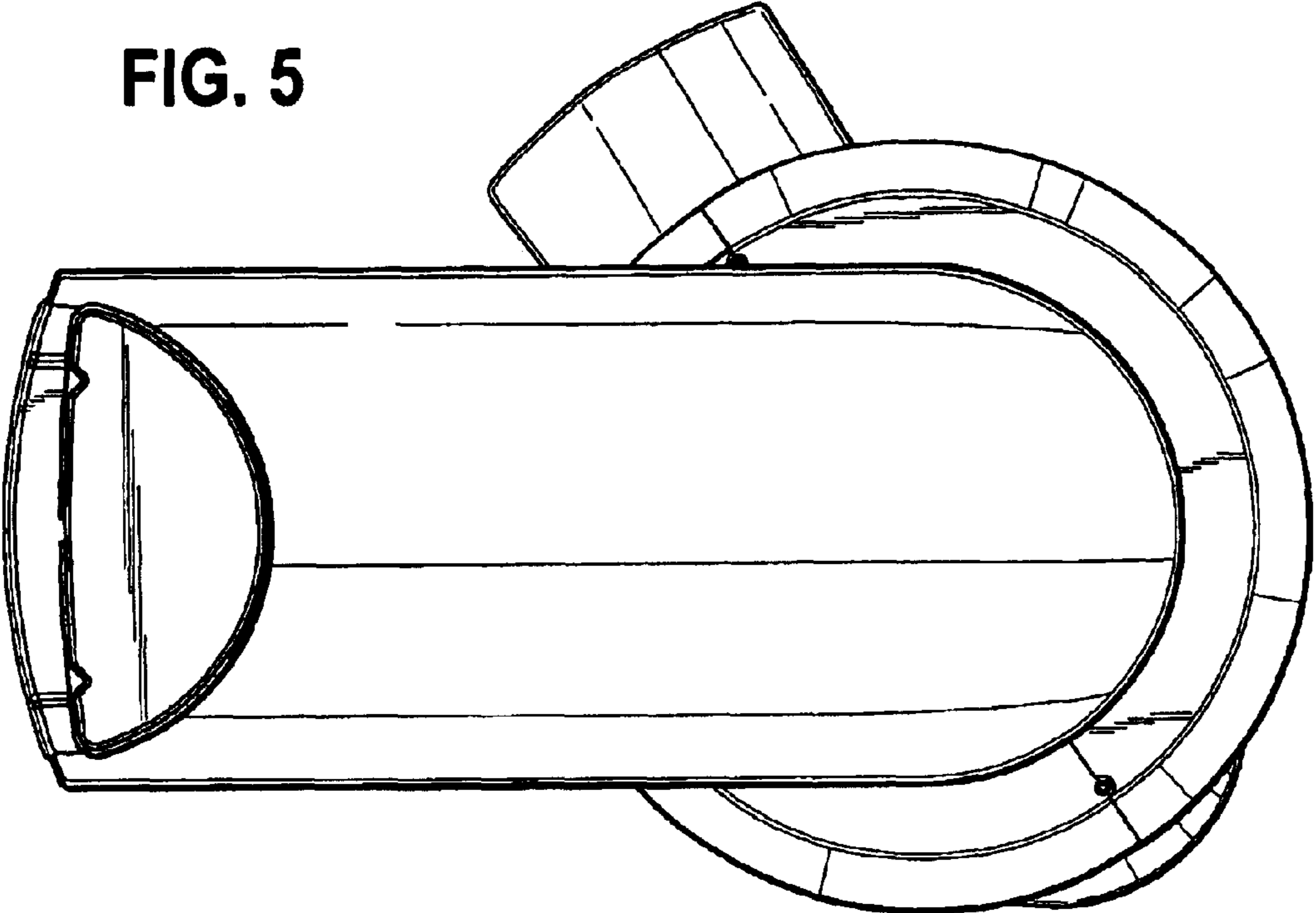
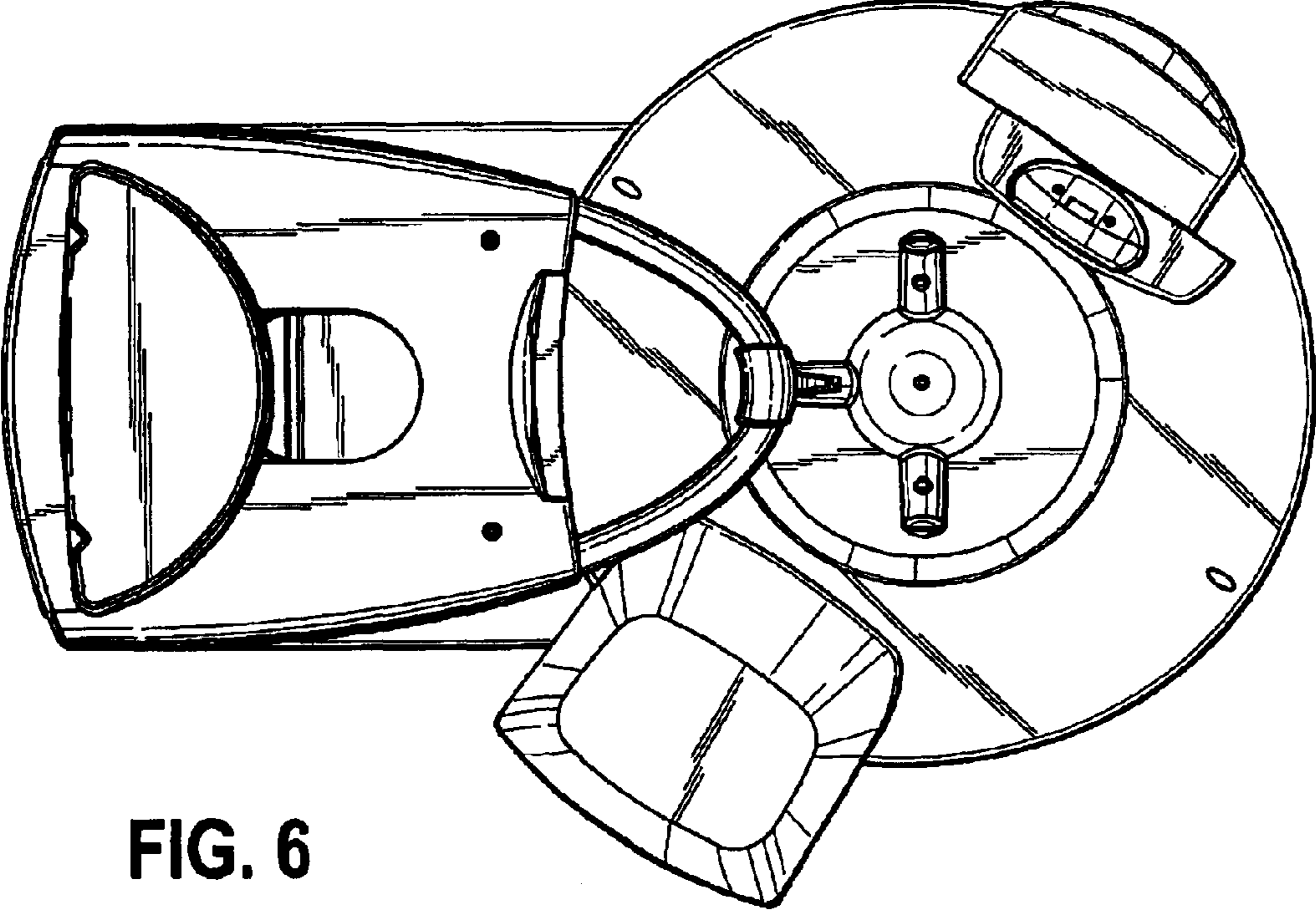


FIG. 6



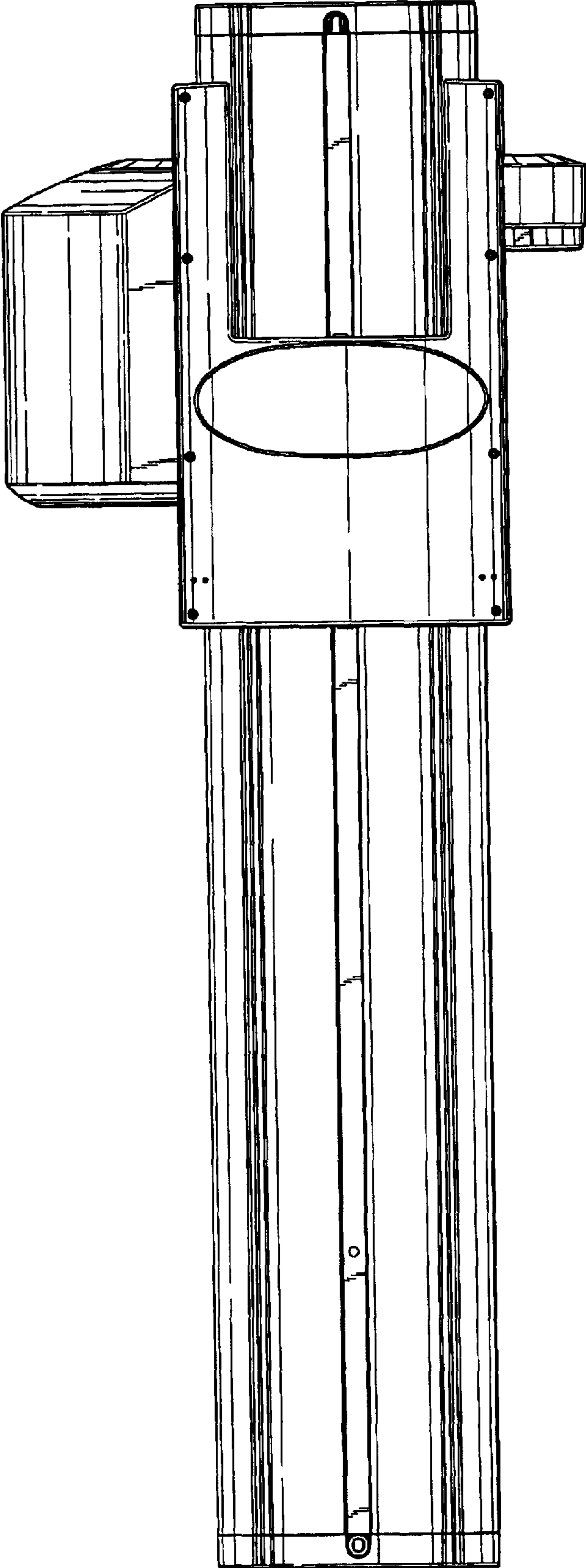


FIG. 7