

US00D502541S

(12) **United States Design Patent**
Abry

(10) **Patent No.:** **US D502,541 S**
(45) **Date of Patent:** **** Mar. 1, 2005**

(54) **TROLLEY STAND BASE FOR MEDICAL LAMP**

D308,725 S * 6/1990 Kraus D24/128
5,344,169 A * 9/1994 Pryor et al. 248/129
D484,975 S * 1/2004 Belokin D24/128

(75) Inventor: **Emil Abry**, Hoslekroken (NO)

* cited by examiner

(73) Assignee: **Photocure ASA**, Oslo (NO)

Primary Examiner—Ian Simmons

(**) Term: **14 Years**

(74) *Attorney, Agent, or Firm*—Kenyon & Kenyon

(21) Appl. No.: **29/185,158**

(57) **CLAIM**

(22) Filed: **Jun. 23, 2003**

The ornamental design for a trolley stand base for medical lamp, as shown and described.

(30) **Foreign Application Priority Data**

DESCRIPTION

Dec. 24, 2002 (GB) 3009679

(51) **LOC (7) Cl.** **24-02**

FIG. 1 is a front perspective view of a trolley stand base for medical lamp showing my new design;

(52) **U.S. Cl.** **D24/128; D24/209**

FIG. 2 is a top plan view thereof;

(58) **Field of Search** D24/128, 209, D24/107, 210, 169, 186, 185; D26/28, 65, 63; 362/410, 804, 457, 458; 248/127, 129, 519, 188.91

FIG. 3 is a side elevation view thereof, the opposite side being a mirror image thereto;

FIG. 4 is a rear elevation view thereof; and,

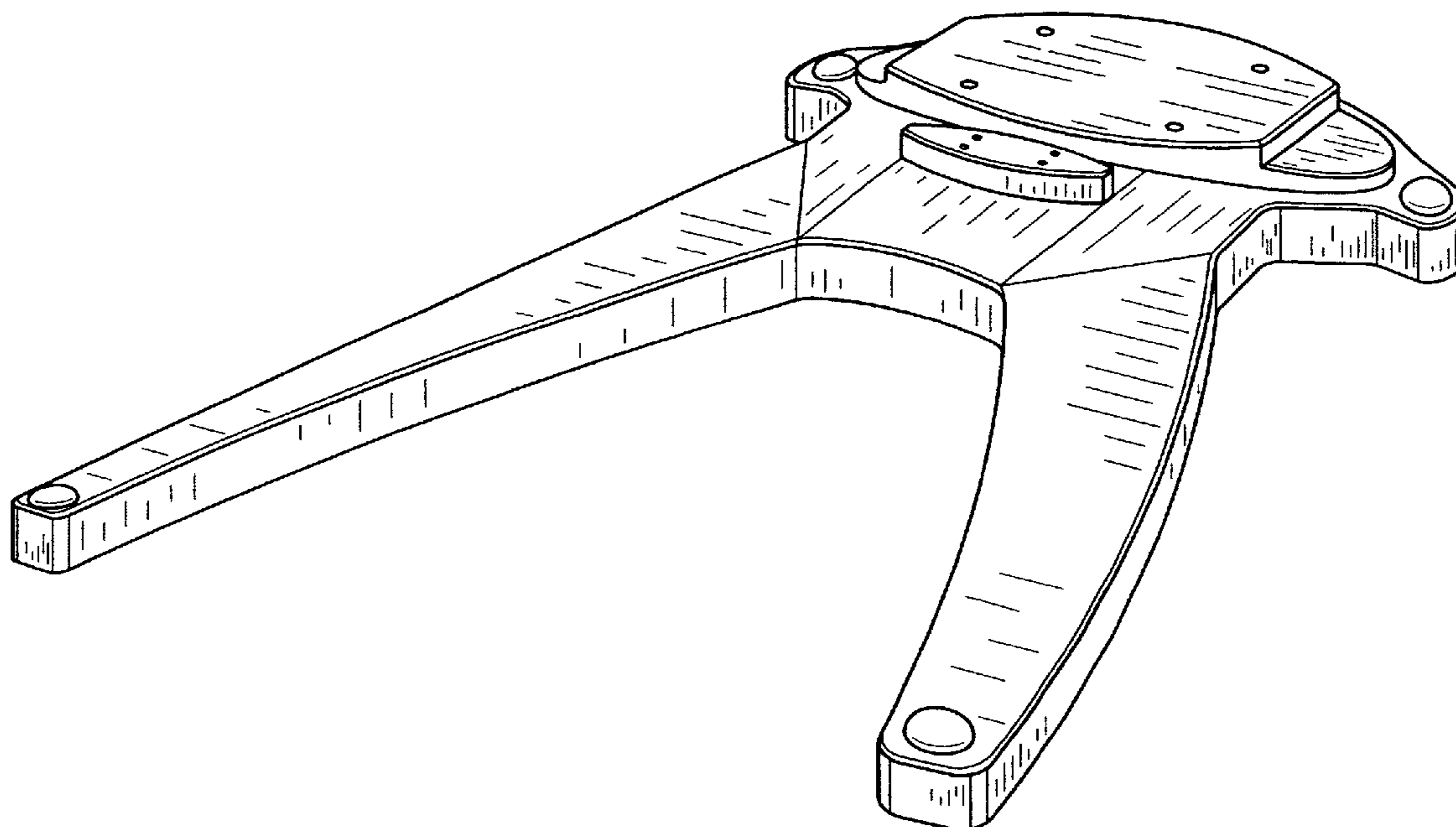
(56) **References Cited**

FIG. 5 is a perspective view thereof, the broken line showing is for illustrative purposes only and forms no part of the claimed design.

U.S. PATENT DOCUMENTS

D268,287 S * 3/1983 Boschetti D24/210

1 Claim, 4 Drawing Sheets



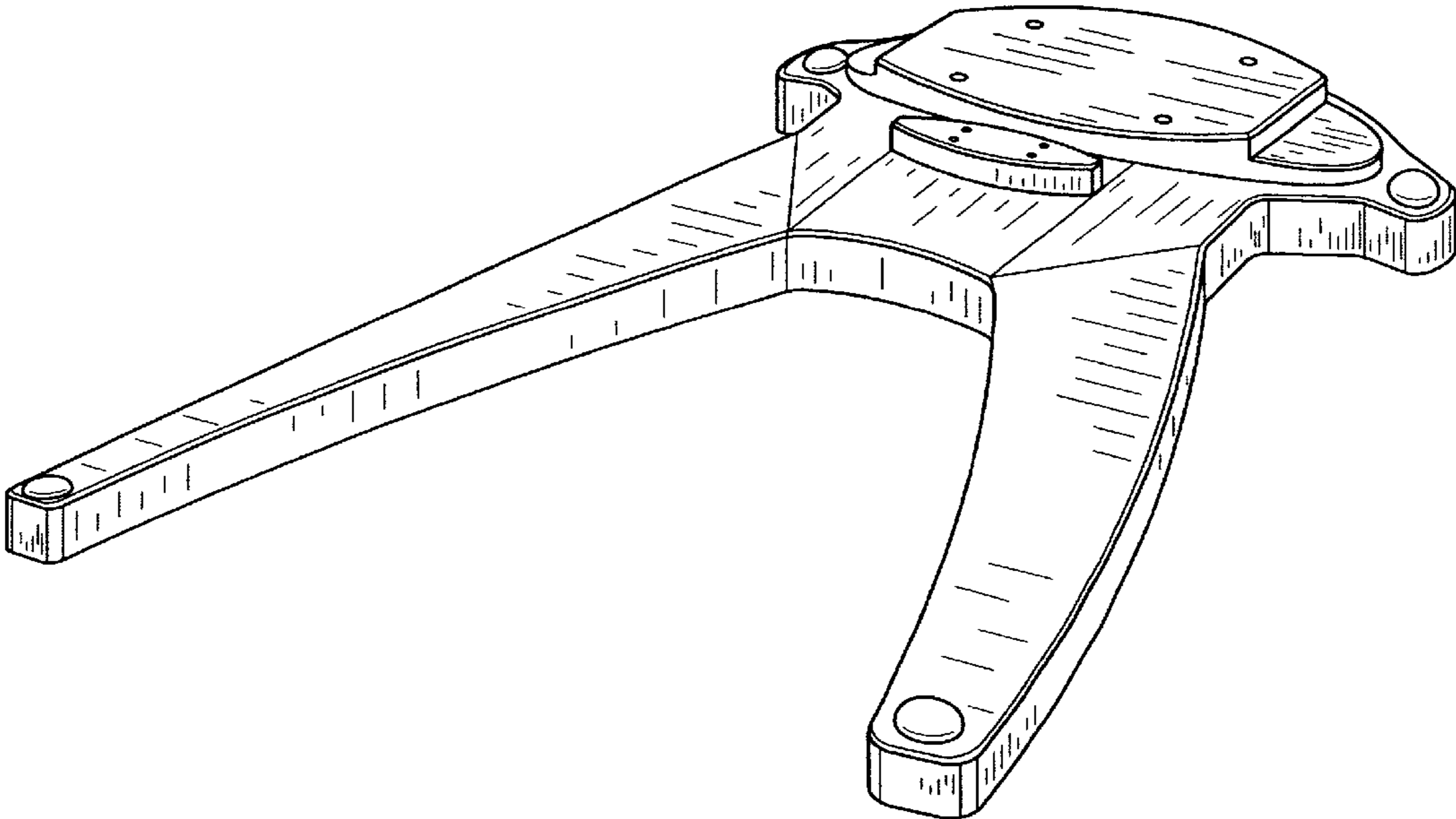


FIG. 1

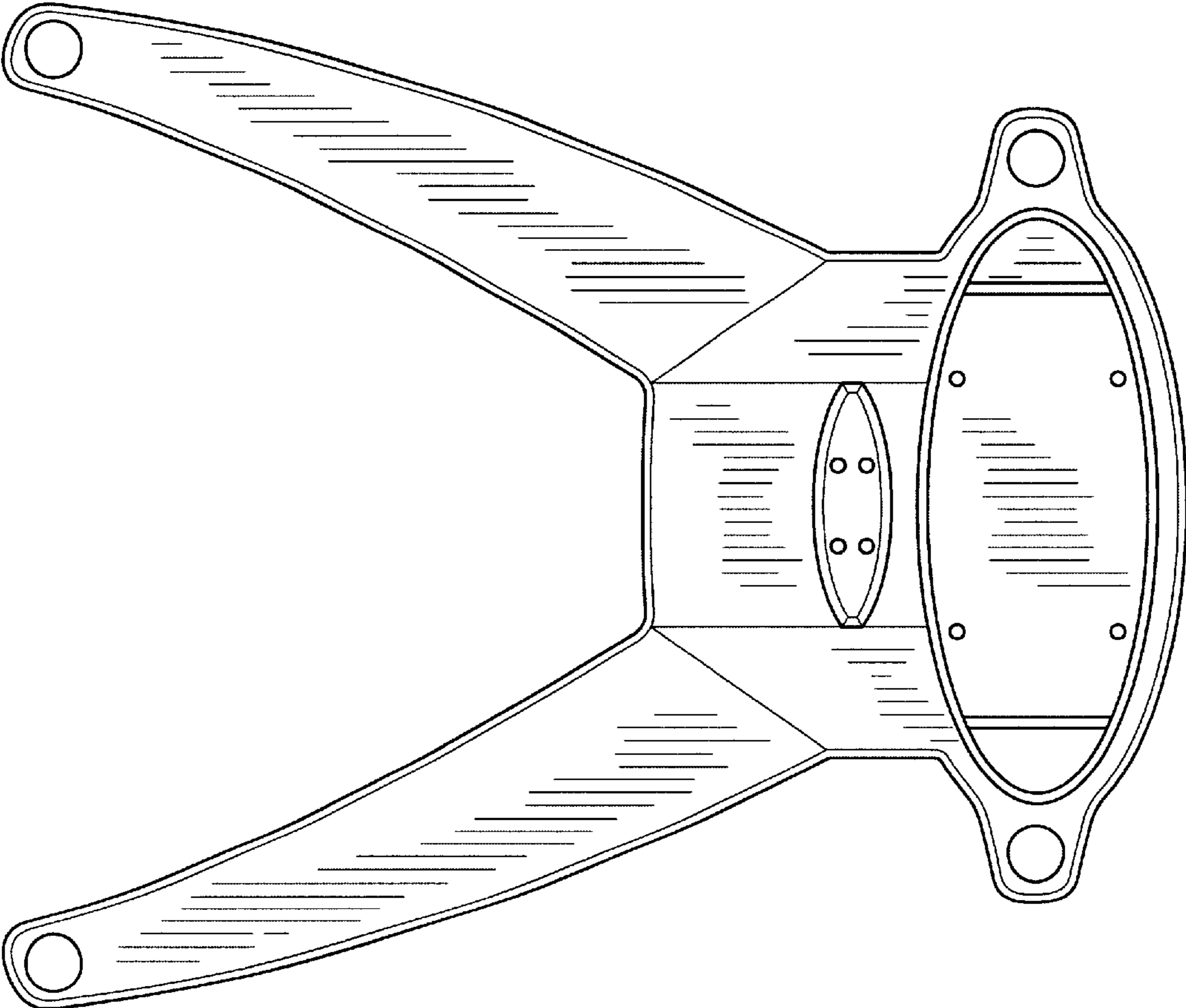


FIG. 2

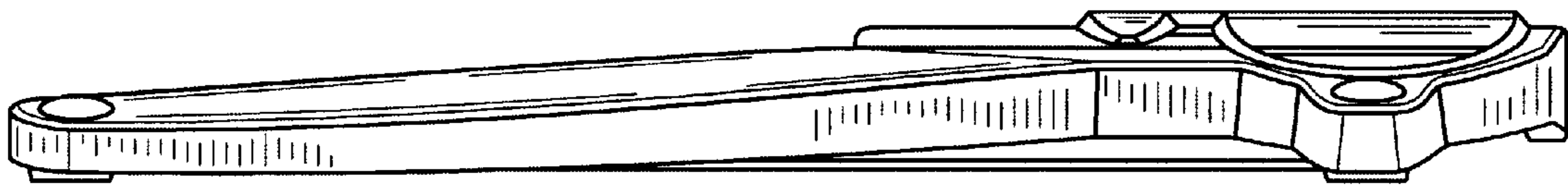


FIG. 3

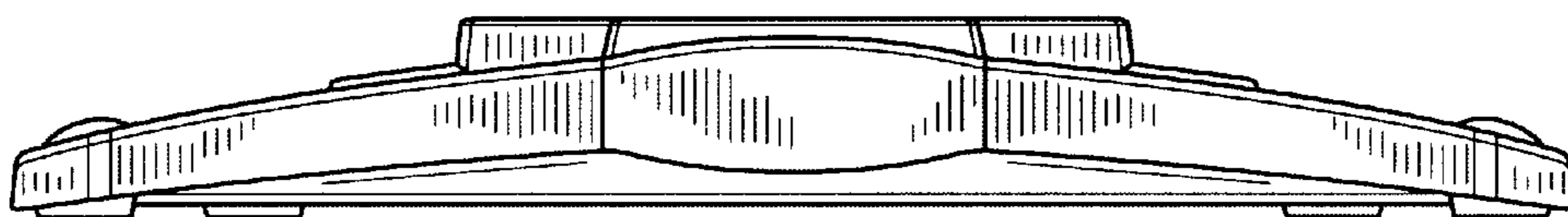


FIG. 4

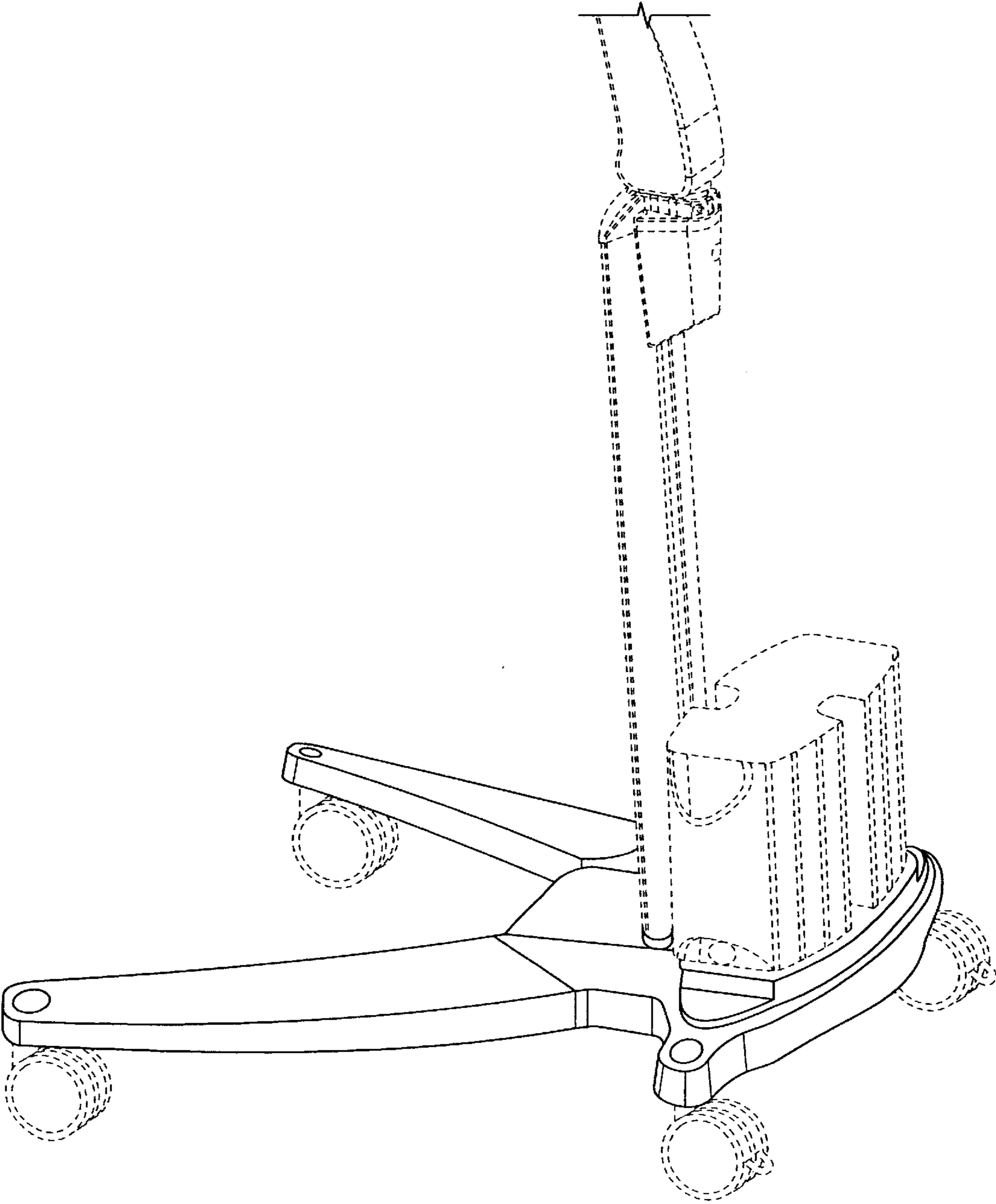


FIG. 5