

US00D502540S

(12) **United States Design Patent**
Cruver, IV et al.

(10) **Patent No.: US D502,540 S**
(45) **Date of Patent: ** Mar. 1, 2005**

(54) **VOLATILE ACTIVES DISPENSER**
(75) Inventors: **Curtis Leroy Cruver, IV**, Elmhurst, IL (US); **Christian J. Kulujian**, Chicago, IL (US)
(73) Assignee: **S.C. Johnson & Son, Inc.**, Racine, WI (US)
(**) Term: **14 Years**

D466,204 S 11/2002 Wolpert et al.
D469,862 S * 2/2003 Cruver et al. D23/366
D471,267 S 3/2003 Ahn et al.
D473,638 S * 4/2003 Cruver, IV D23/366
D487,144 S * 2/2004 Choke-arpornchai et al. ... D23/366
2001/0053283 A1 12/2001 Levine et al.
2002/0146243 A1 10/2002 Rymer
2002/0172512 A1 11/2002 Stathakis et al.
2003/0063902 A1 4/2003 Pedrotti et al.

* cited by examiner

Primary Examiner—Lisa Lichtenstein

(21) Appl. No.: **29/180,955**
(22) Filed: **May 2, 2003**

(57) **CLAIM**

(51) **LOC (7) Cl.** **23-04**
(52) **U.S. Cl.** **D23/366**
(58) **Field of Search** D23/366–369, D23/356–363; 392/390, 392; 239/135, 136, 58; 261/DIG. 17, DIG. 65

The ornamental design for a volatile actives dispenser, as shown and described.

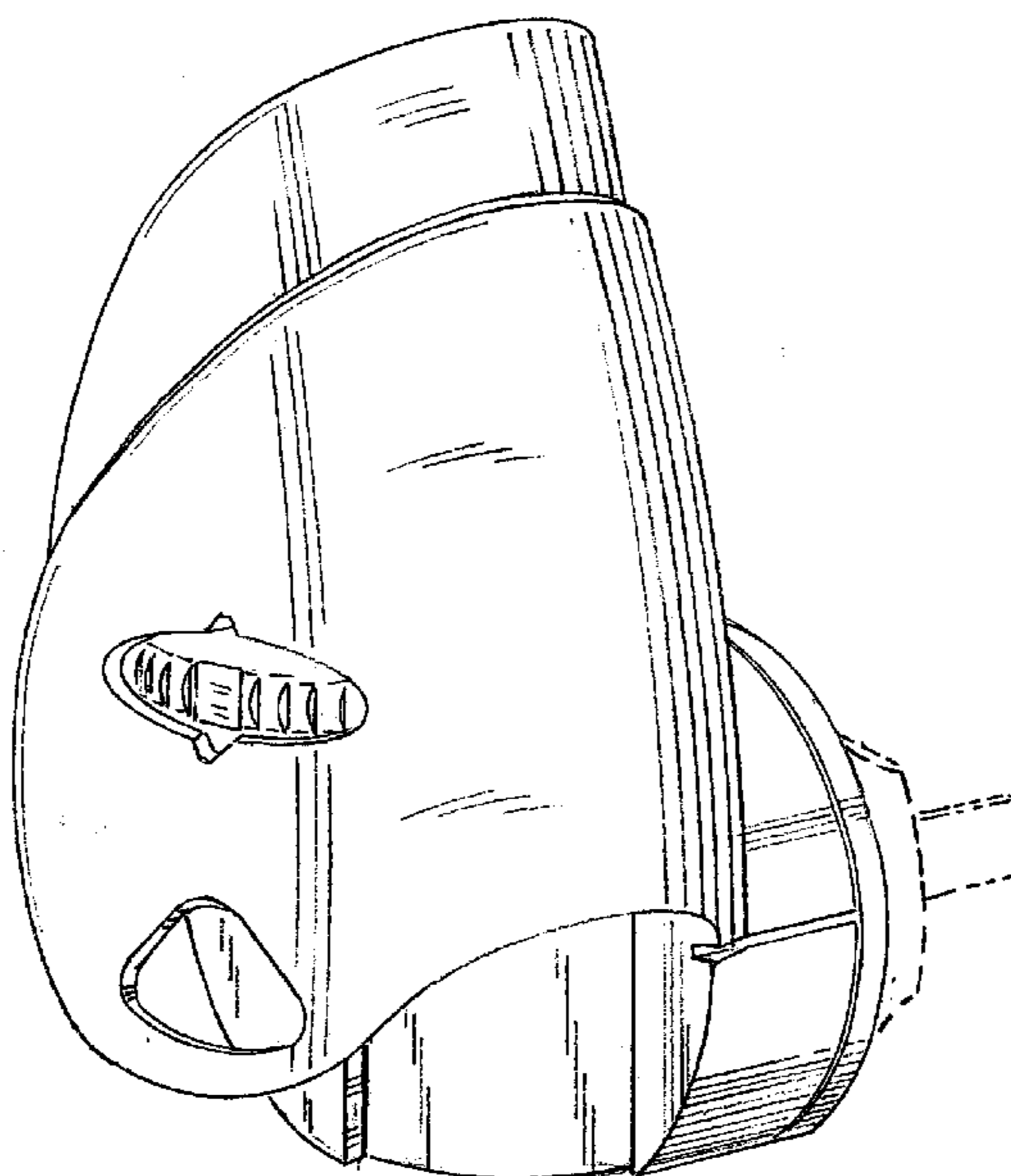
DESCRIPTION

(56) **References Cited**
U.S. PATENT DOCUMENTS

D386,974 S 12/1997 Wefler
D393,063 S 3/1998 Wefler
6,104,867 A 8/2000 Stathakis et al.
D432,222 S 10/2000 Rymer et al.
D433,113 S 10/2000 Cole
D433,744 S 11/2000 Basaganas
D434,482 S 11/2000 Cole
D437,636 S 2/2001 Basaganas
D440,291 S 4/2001 Wolpert et al.
D447,550 S 9/2001 Basaganas
D449,101 S 10/2001 Wolpert et al.
D460,170 S 7/2002 Hart et al.
D461,549 S 8/2002 Garcia
D461,885 S 8/2002 Basaganas
D462,755 S 9/2002 Basaganas Millan
D464,416 S 10/2002 von Dohlen et al.

FIG. 1 is a front perspective view.
FIG. 2 is a front view of the volatile actives dispenser of FIG. 1.
FIG. 3 is a rear view of the volatile actives dispenser of FIG. 1.
FIG. 4 is a right side view of the volatile actives dispenser of FIG. 1.
FIG. 5 is a left side view of the volatile actives dispenser of FIG. 1.
FIG. 6 is a top plan view of the volatile actives dispenser of FIG. 1; and,
FIG. 7 is a bottom plan view of the volatile actives dispenser of FIG. 1.
The broken line showing of environmental structure is for illustrative purposes only and forms no part of the claimed design.

1 Claim, 2 Drawing Sheets



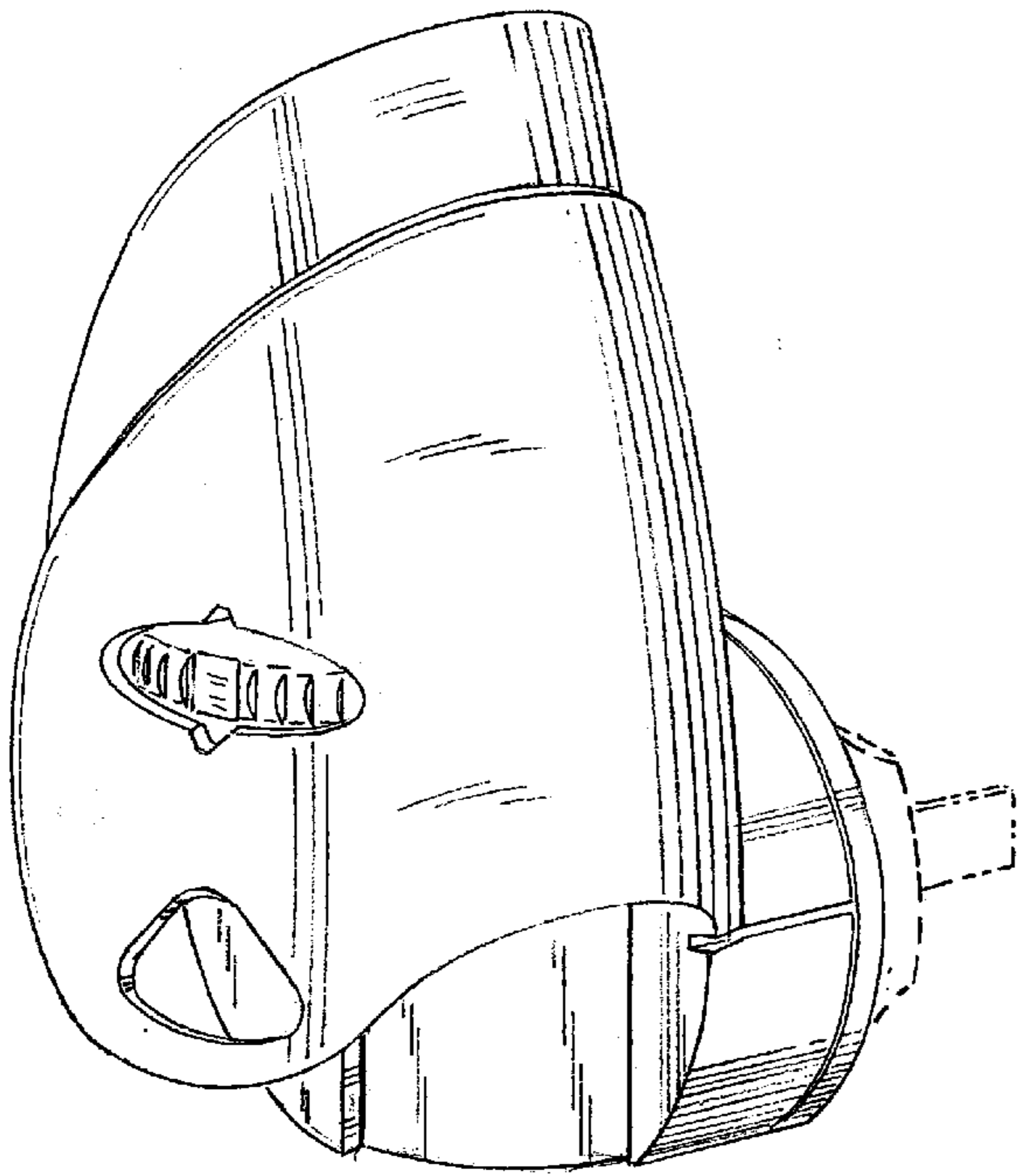


FIG. 1

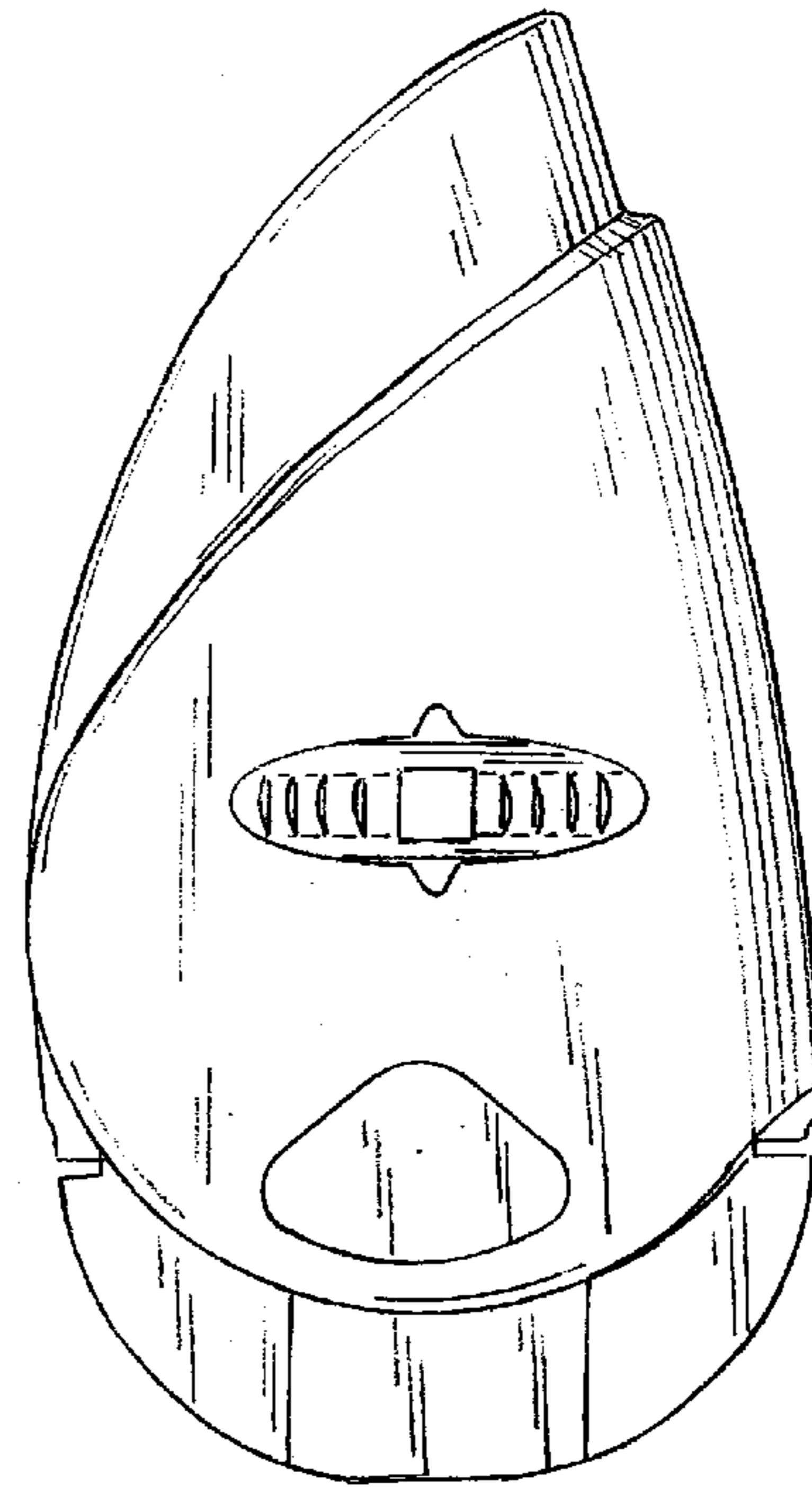


FIG. 2

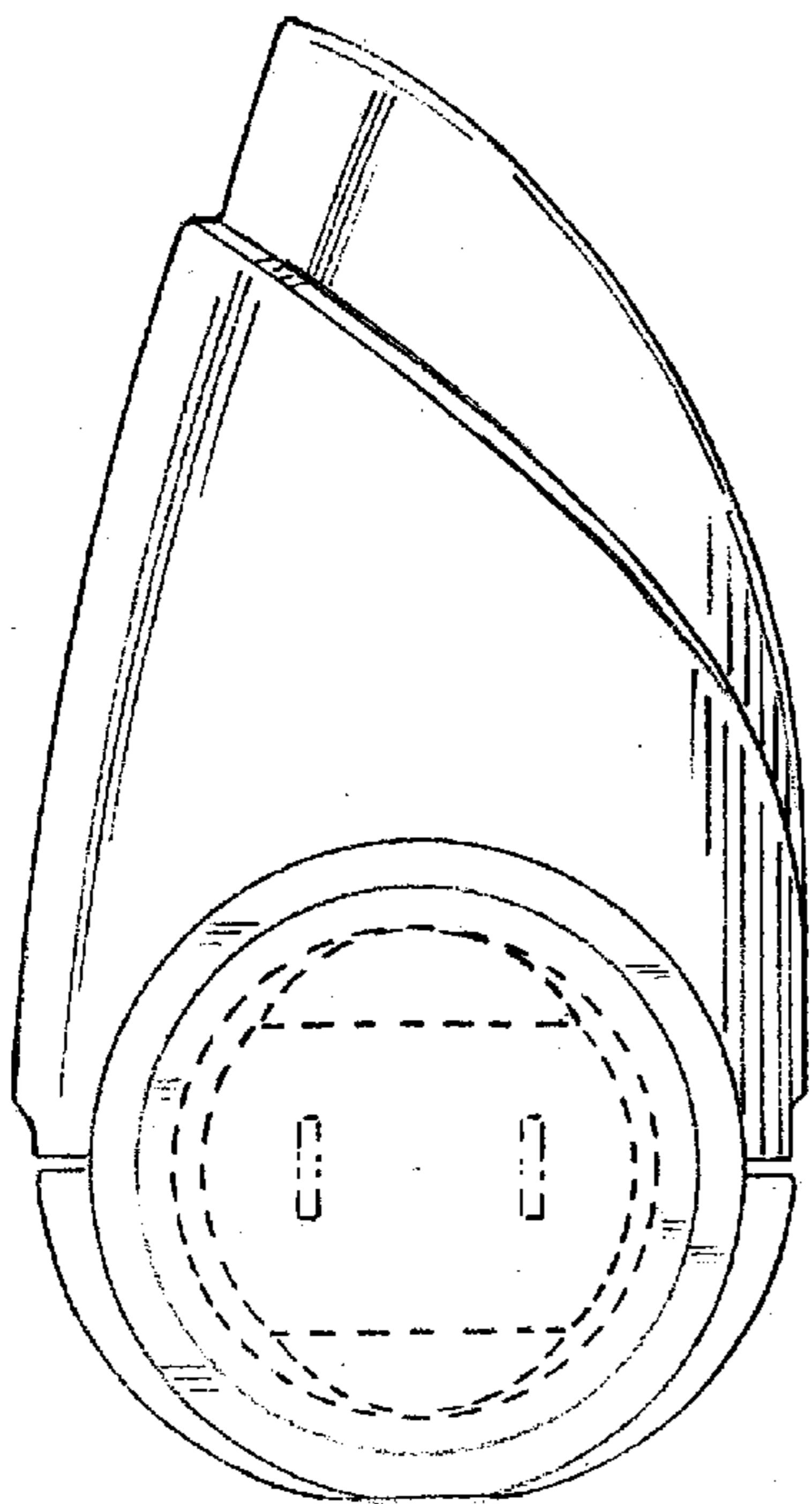


FIG. 3

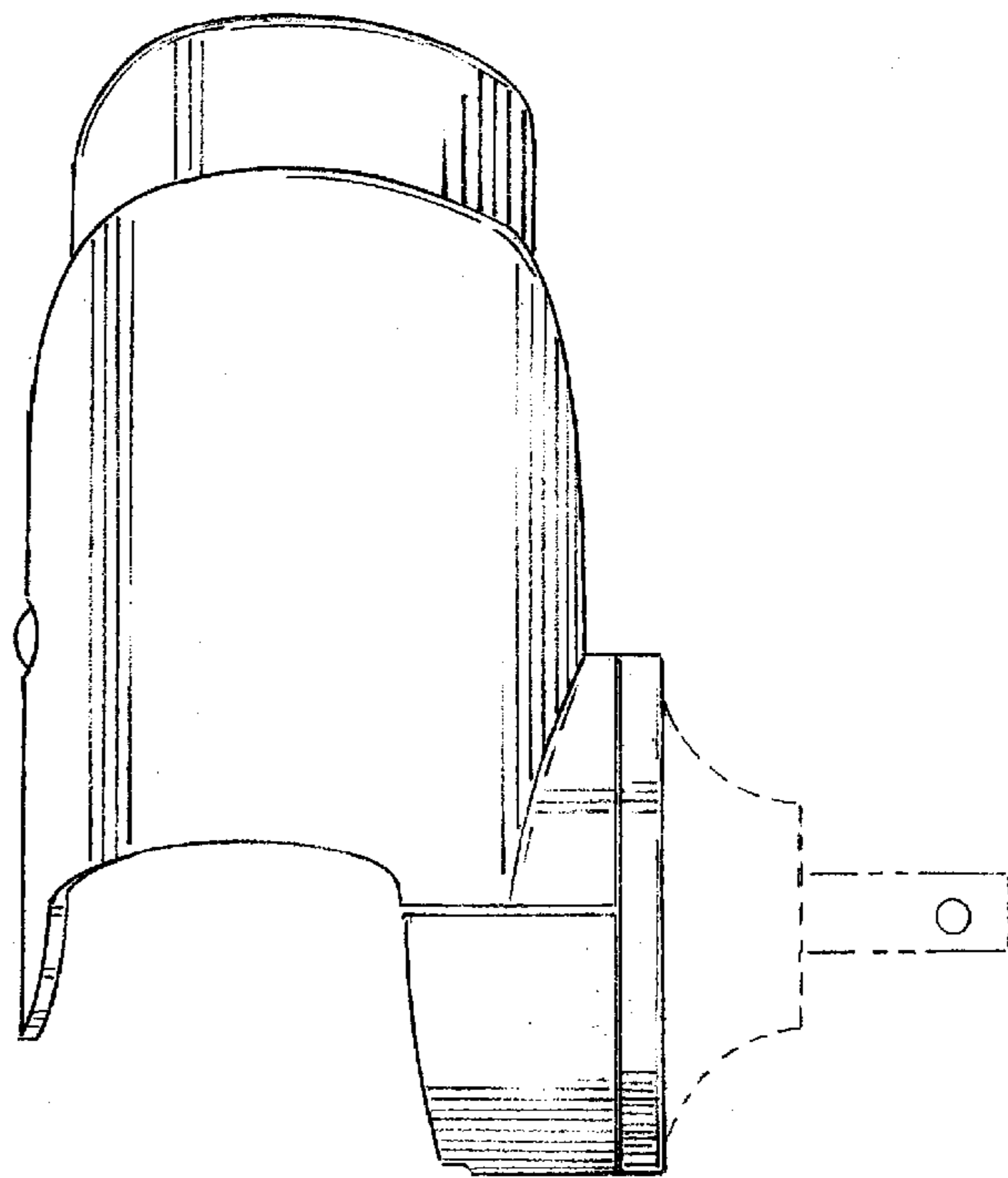


FIG. 4

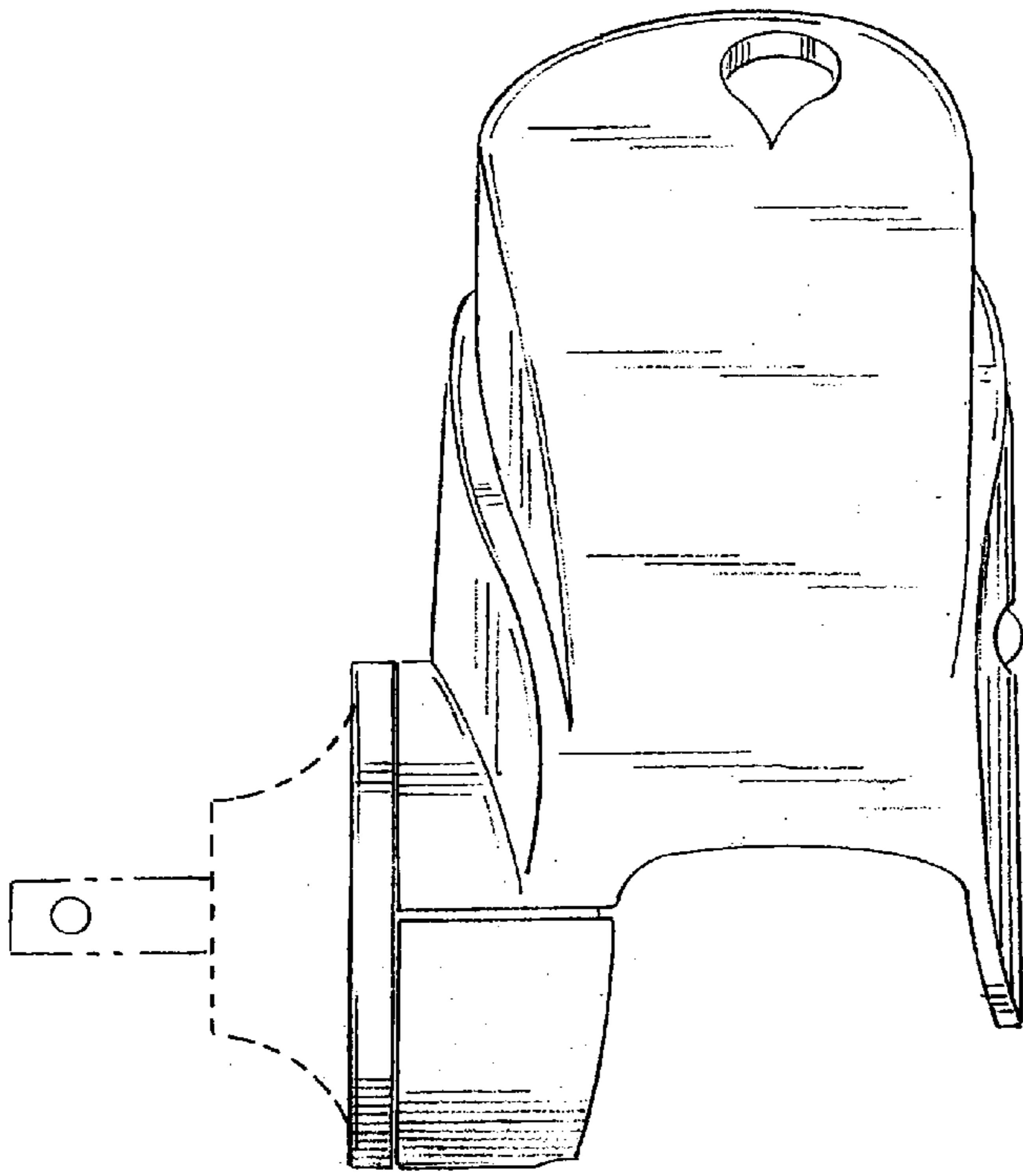


FIG. 5

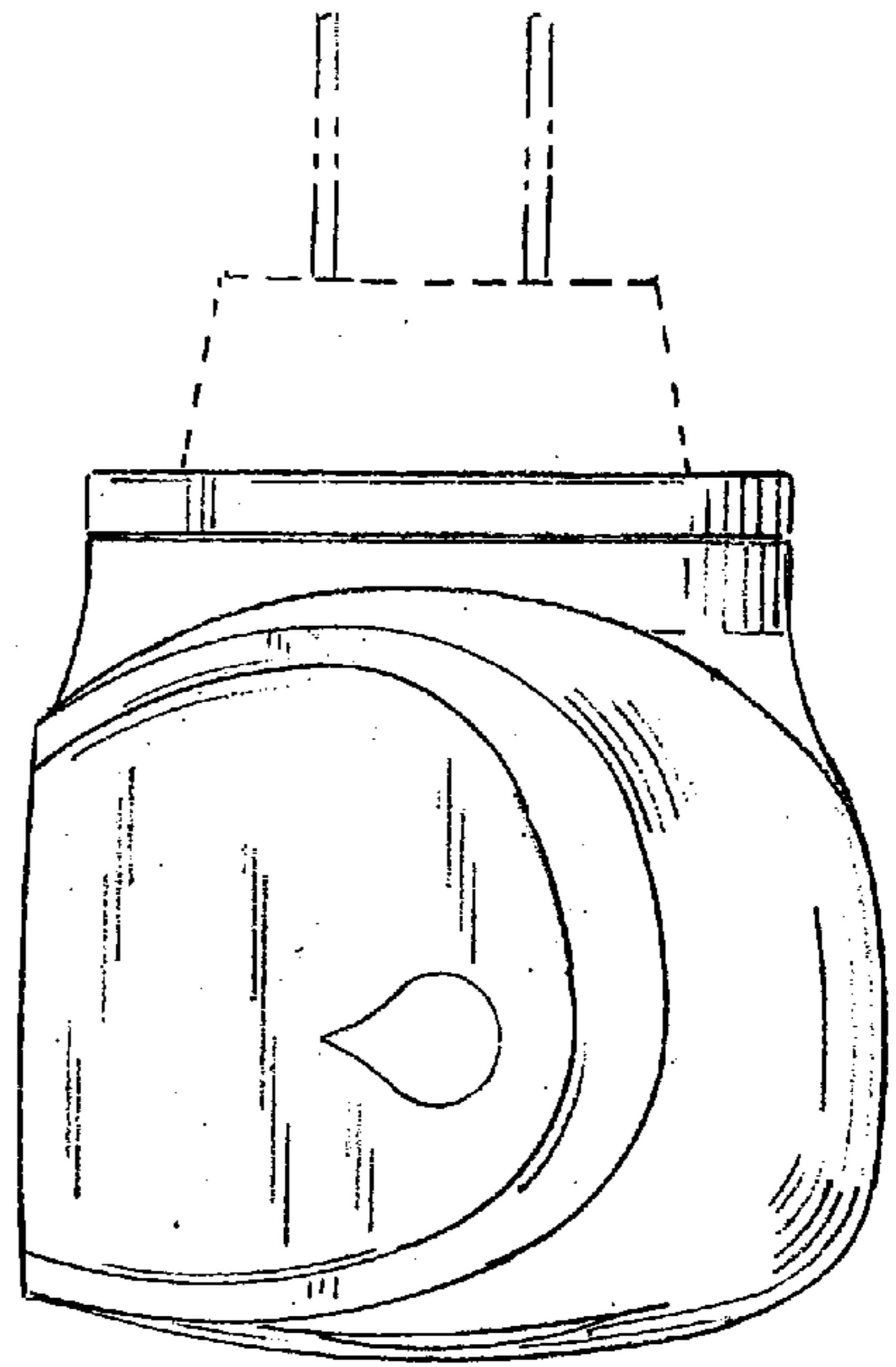


FIG. 6

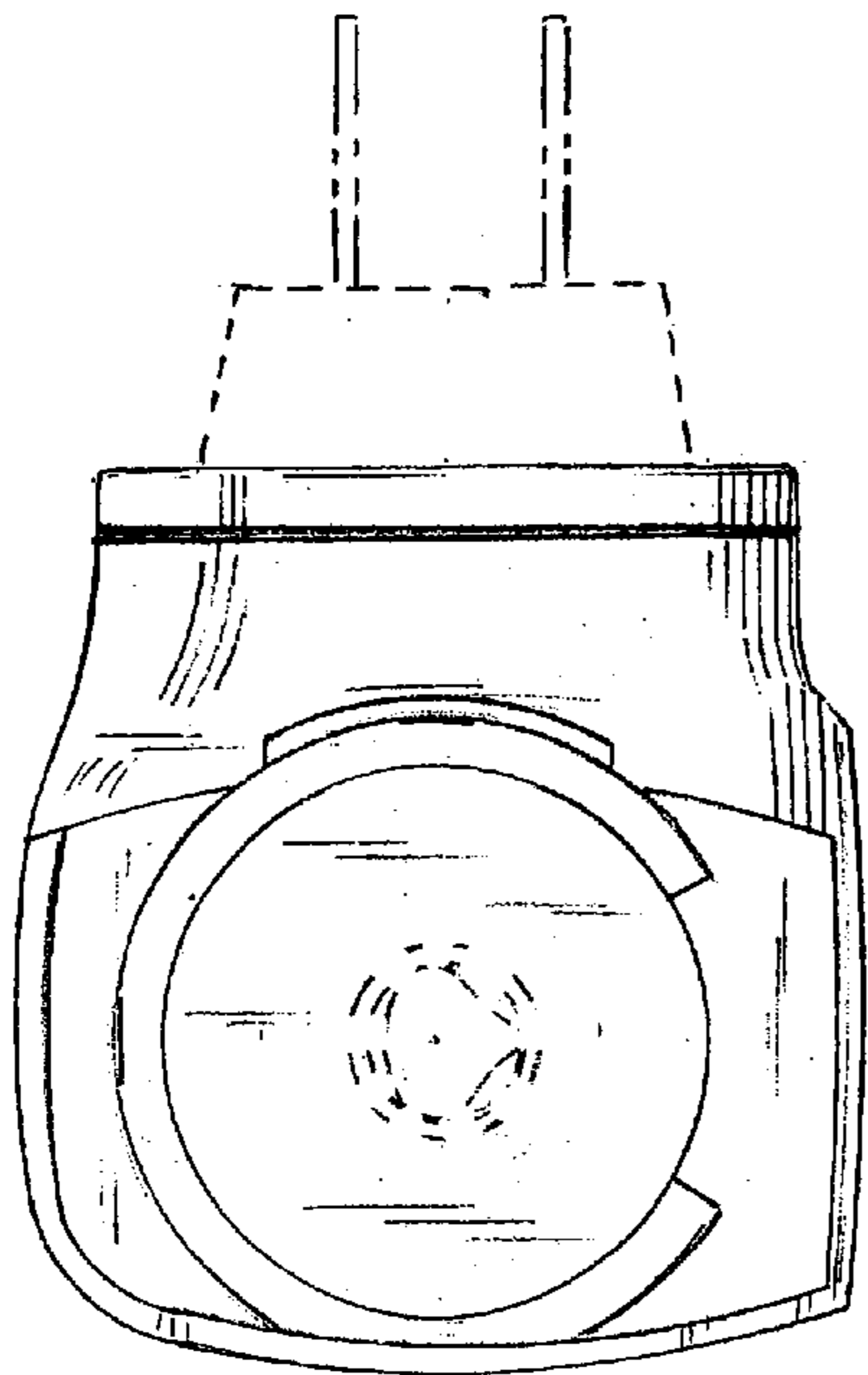


FIG. 7