

US00D502539S

(12) **United States Design Patent**
Ashbaugh et al.

(10) **Patent No.:** **US D502,539 S**
(45) **Date of Patent:** **** Mar. 1, 2005**

(54) **HEATER MODULE**

(75) Inventors: **Kurt E. Ashbaugh**, Rockford, MI
(US); **Allen W. Scott**, Alto, MI (US)

(73) Assignee: **Bissell Homecare, Inc.**, Grand Rapids,
MI (US)

(**) Term: **14 Years**

(21) Appl. No.: **29/205,565**

(22) Filed: **May 17, 2004**

(51) **LOC (7) Cl.** **23-02**

(52) **U.S. Cl.** **D23/321**

(58) **Field of Search** D23/318-322;
392/322, 441, 449, 479-480; 220/567.3;
219/296-309

(56) **References Cited**

U.S. PATENT DOCUMENTS

2,592,568 A * 4/1952 Hill 392/479
4,185,187 A * 1/1980 Rogers 392/479
4,595,825 A 6/1986 Gordbegli

D301,733 S * 6/1989 Mansfield D23/318
D369,402 S * 4/1996 Krishart D23/318
5,724,478 A 3/1998 Thweatt
D421,107 S * 2/2000 Jackson et al. D23/318
2002/0146244 A1 10/2002 Thweatt, Jr.

* cited by examiner

Primary Examiner—Brian N Vinson

(74) *Attorney, Agent, or Firm*—McGarry Bair PC

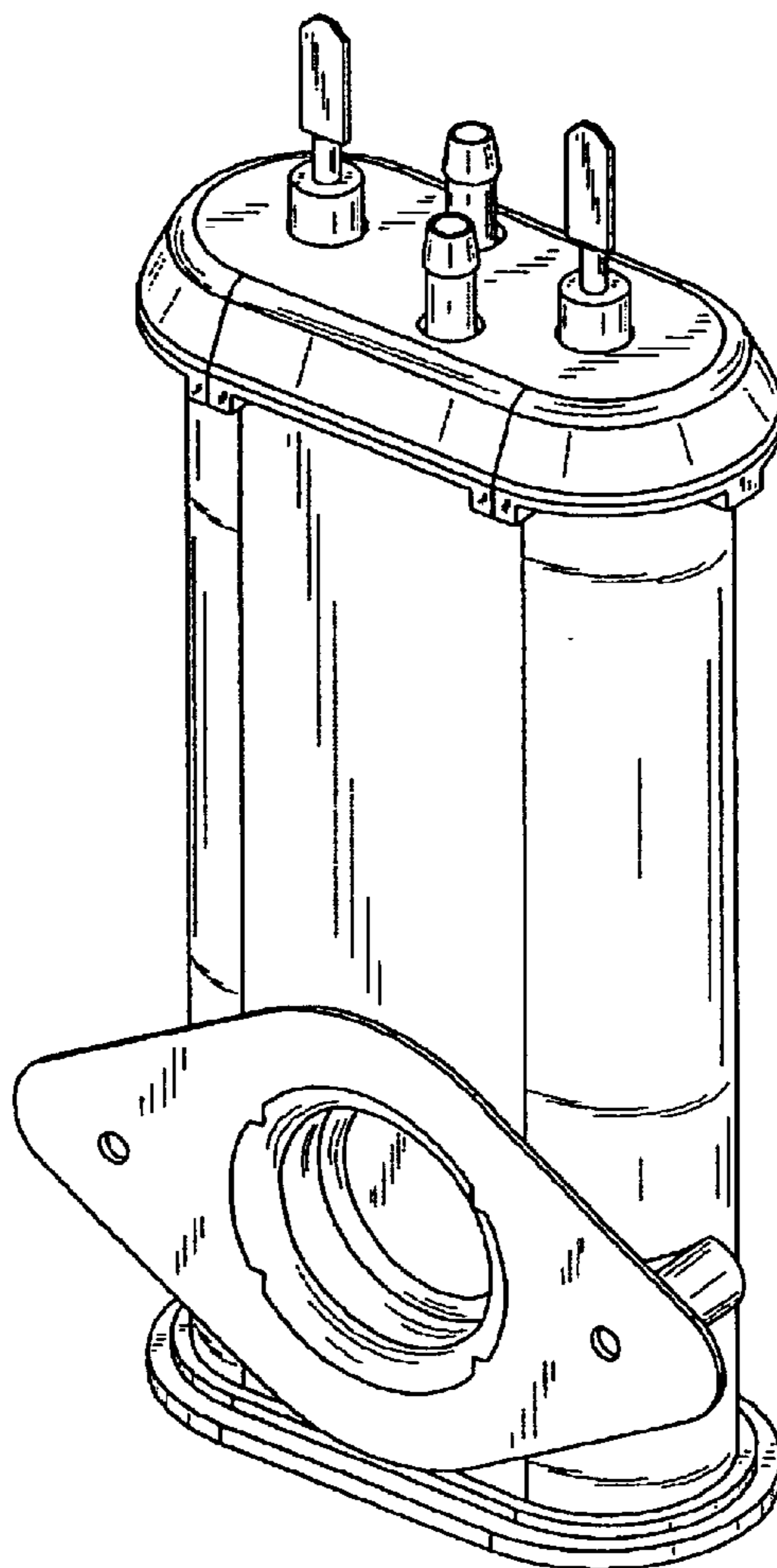
(57) **CLAIM**

The ornamental design for a heater module, as shown and described.

DESCRIPTION

FIG. 1 is a perspective view of a heater module which embodies our design;
FIG. 2 is a front view thereof;
FIG. 3 is a rear view thereof;
FIG. 4 is a right side view thereof, the left side view thereof being a mirror image of the right side view thereof;
FIG. 5 is a top view thereof; and,
FIG. 6 is a bottom view.

1 Claim, 5 Drawing Sheets



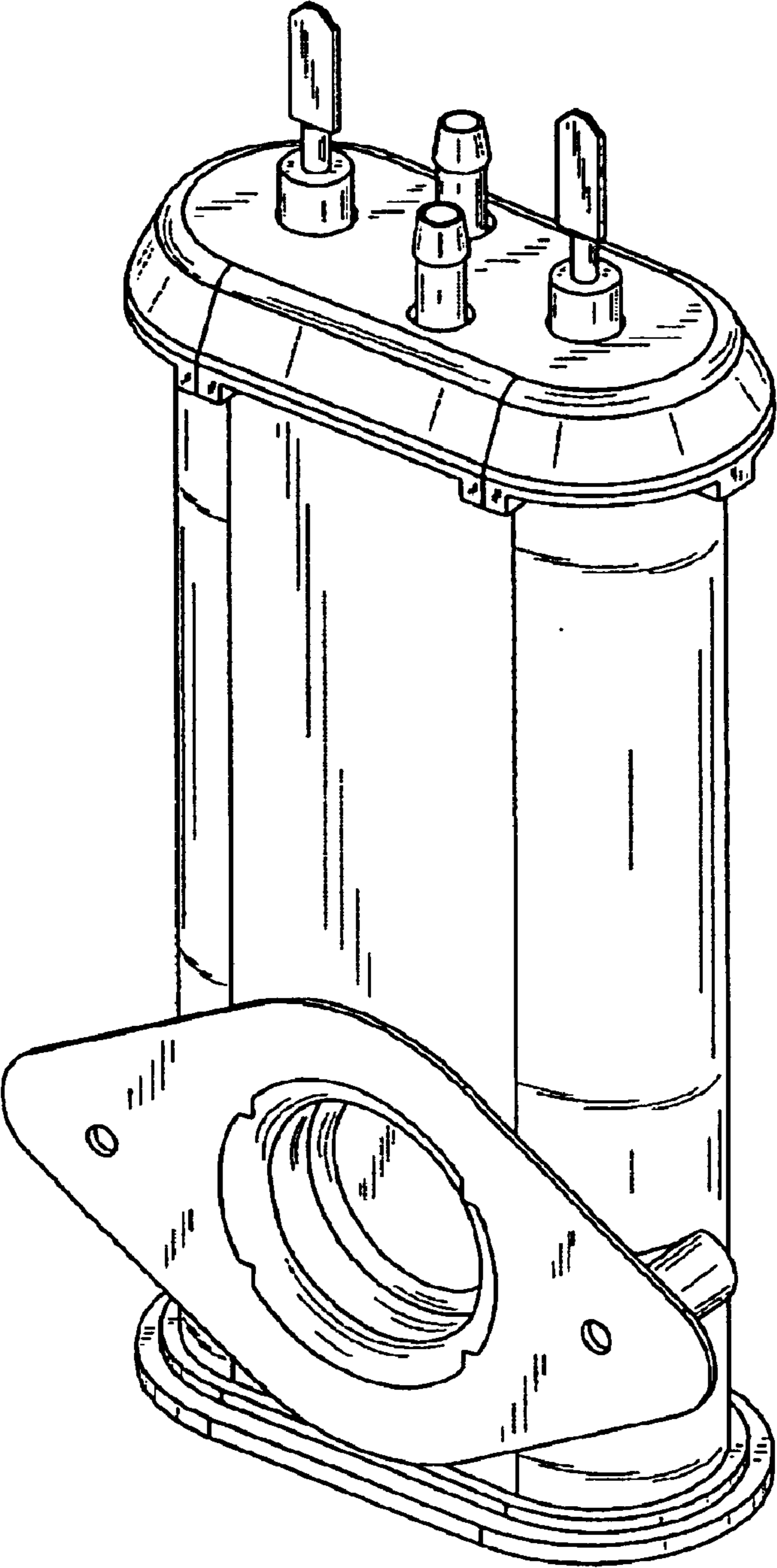


Fig. 1

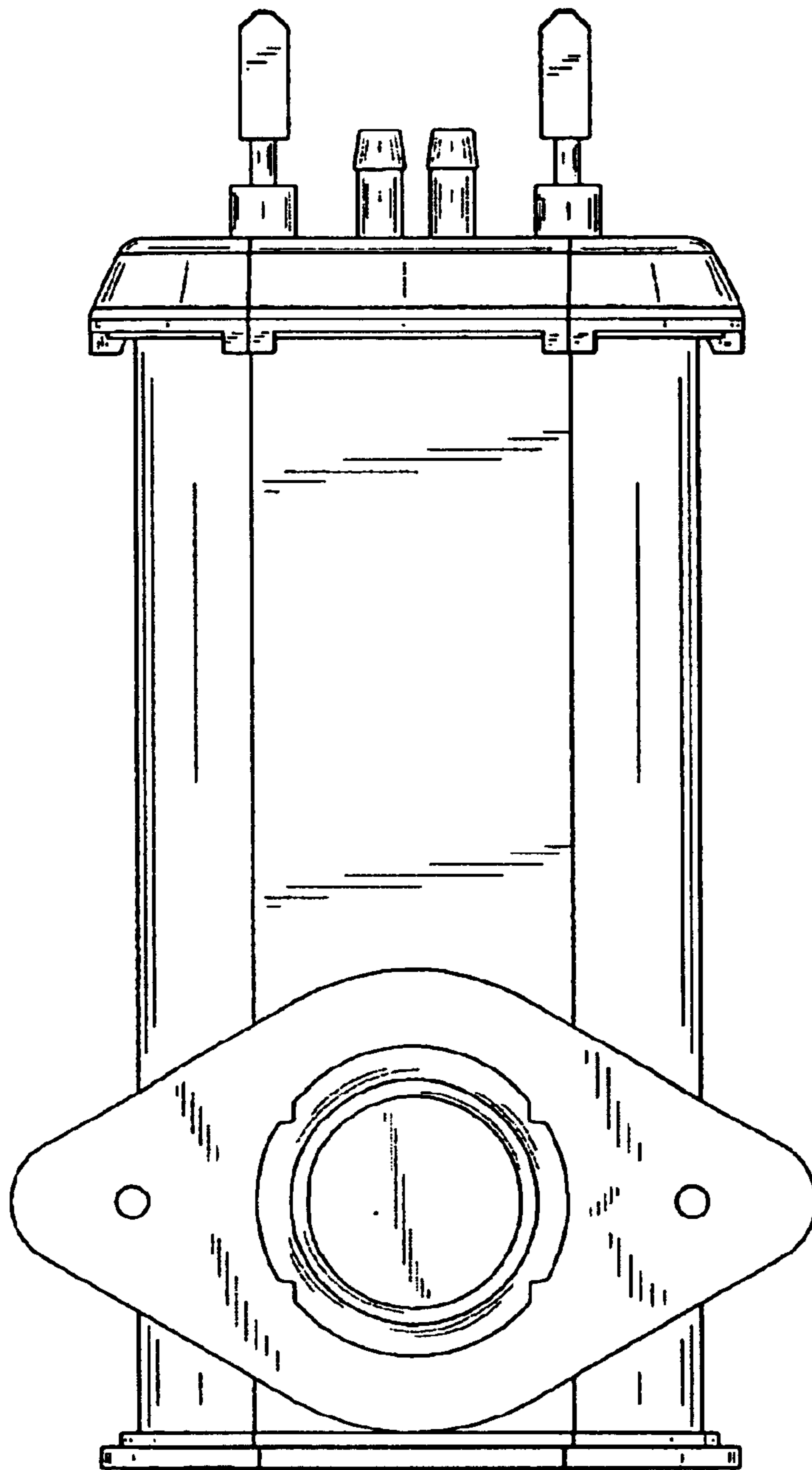


Fig. 2

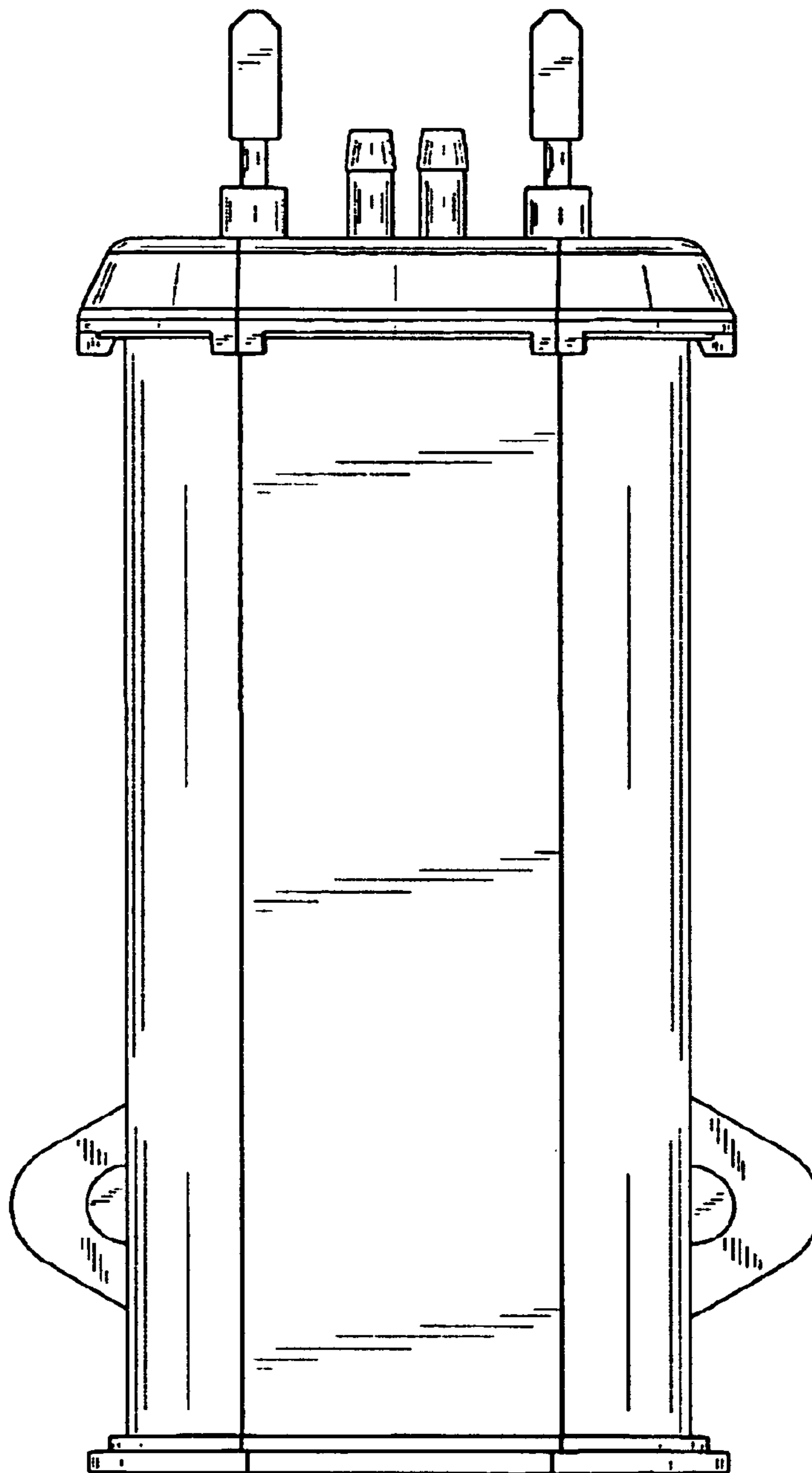


Fig. 3

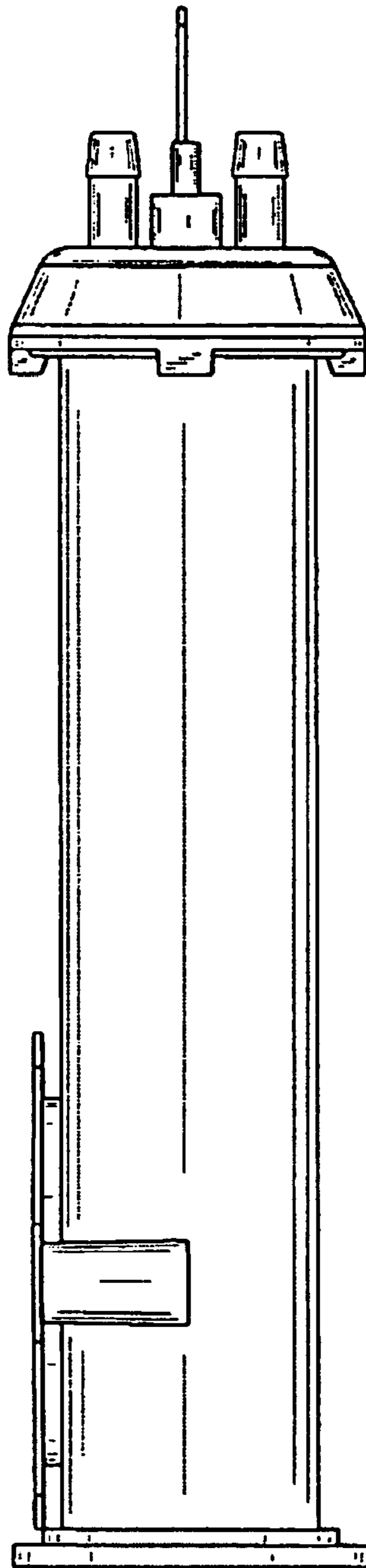


Fig. 4

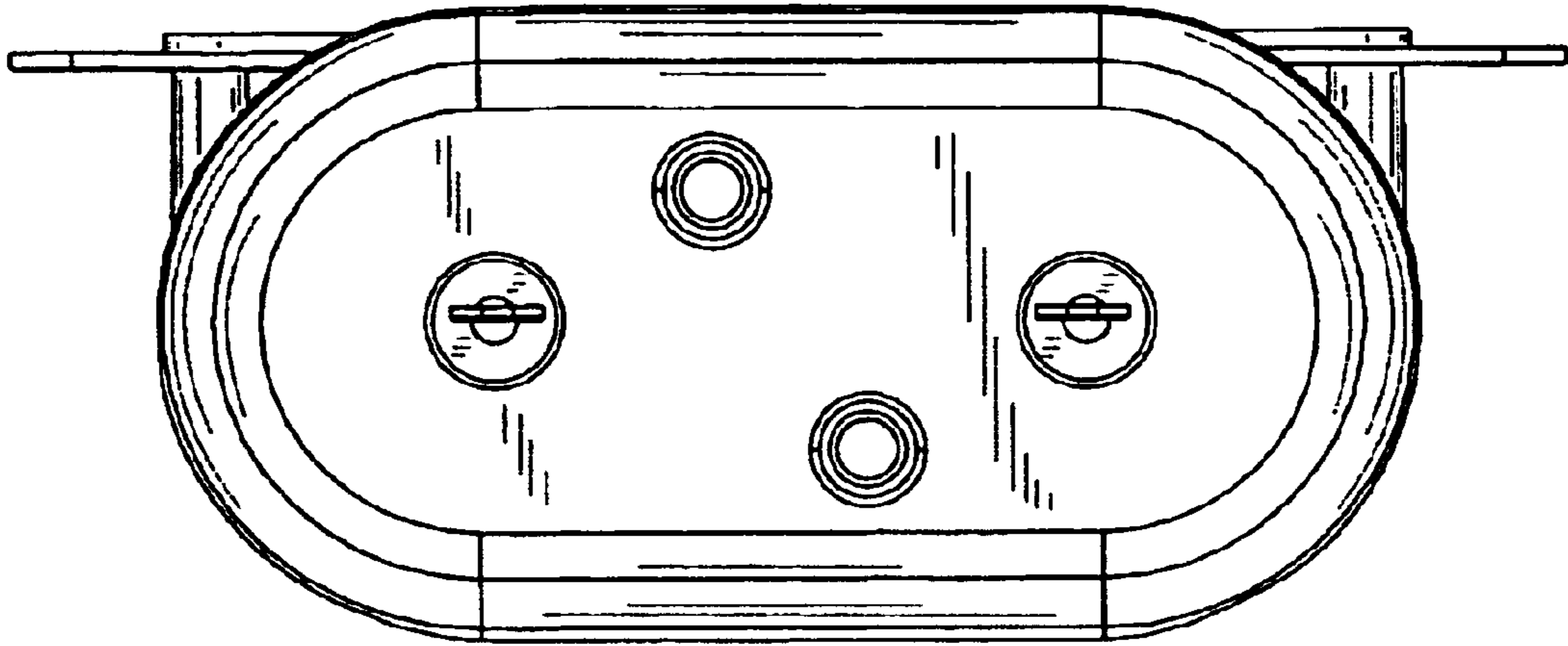


Fig. 5

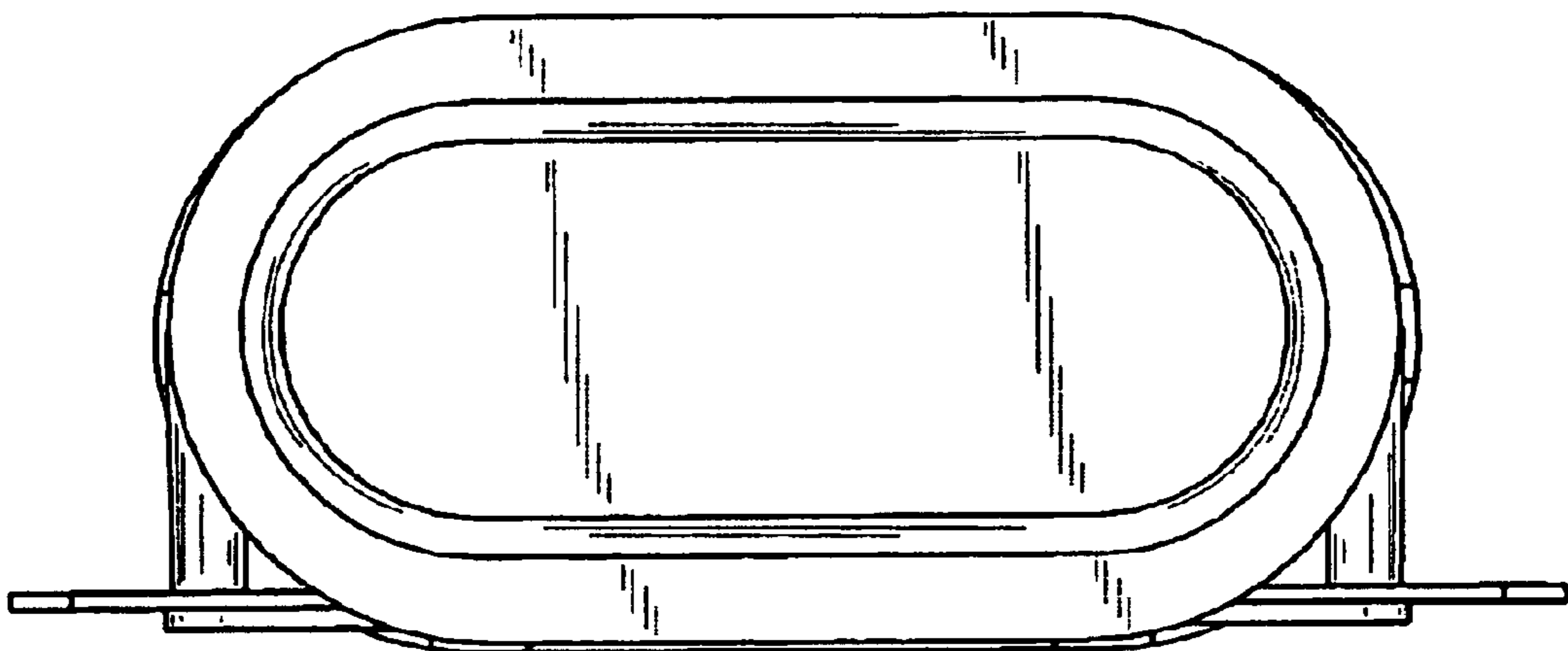


Fig. 6