



US00D502529S

(12) **United States Design Patent**
Nago

(10) **Patent No.:** **US D502,529 S**
(45) **Date of Patent:** **** Mar. 1, 2005**

(54) **FISHING REEL COVER**

(75) Inventor: **Akira Nago**, Osaka (JP)

(73) Assignee: **Shimano Inc.**, Osaka (JP)

(**) Term: **14 Years**

(21) Appl. No.: **29/194,706**

(22) Filed: **Dec. 1, 2003**

(30) **Foreign Application Priority Data**

May 30, 2003 (JP) 2003-015431

(51) **LOC (7) Cl.** **22-05**

(52) **U.S. Cl.** **D22/140**

(58) **Field of Search** D22/140, 141,
D22/137-139; 242/234-240, 370, 223,
323, 314

(56) **References Cited**

U.S. PATENT DOCUMENTS

- D452,292 S * 12/2001 Kim et al. D22/140
- D476,715 S * 7/2003 Robbins et al. D22/140
- D487,496 S * 3/2004 Iwabuchi D22/141
- D491,249 S * 6/2004 Burke et al. D22/140

* cited by examiner

Primary Examiner—Catherine R. Oliver

(74) *Attorney, Agent, or Firm*—Shinju Global IP
Counselors, LLP

(57) **CLAIM**

The ornamental design for a fishing reel cover as shown and described.

DESCRIPTION

This design patent application claims priority to Japanese

Patent Application No. 2003-15431. The entire disclosure of Japanese Design Patent Application No. 2003-15431 is hereby incorporated herein by reference.

FIG. 1 is a top plan view of a fishing reel cover in accordance with my new design;

FIG. 2 is a bottom rear view of the fishing reel cover in accordance with my new design;

FIG. 3 is a front elevational view of the fishing reel cover in accordance with my new design;

FIG. 4 is a rear view of the fishing reel cover in accordance with my new design;

FIG. 5 is a right side view of the fishing reel cover in accordance with my new design;

FIG. 6 is a left side view of the fishing reel cover vi in accordance with my new design;

FIG. 7 is a left side perspective view of the fishing reel cover viewed from above in accordance with my new design;

FIG. 8 is another left side perspective view of the fishing reel cover viewed from below in accordance with my new design;

FIG. 9 is a right side perspective view of the fishing reel cover viewed from below in accordance with my new design;

FIG. 10 is cross sectional view of the FISHING REEL COVER in accordance with my new design shown along line 10—10 in FIG. 6; and,

FIG. 11 is cross sectional view of the FISHING REEL COVER in accordance with my new design shown along line 11—11 in FIG. 6.

The broken line showing the environment (the remaining structure of the fishing reel cover) in the Figures is for illustrative purposes only and forms no part of the claimed design. The interior surface of the fishing reel cover does not form part of the claimed design.

1 Claim, 6 Drawing Sheets

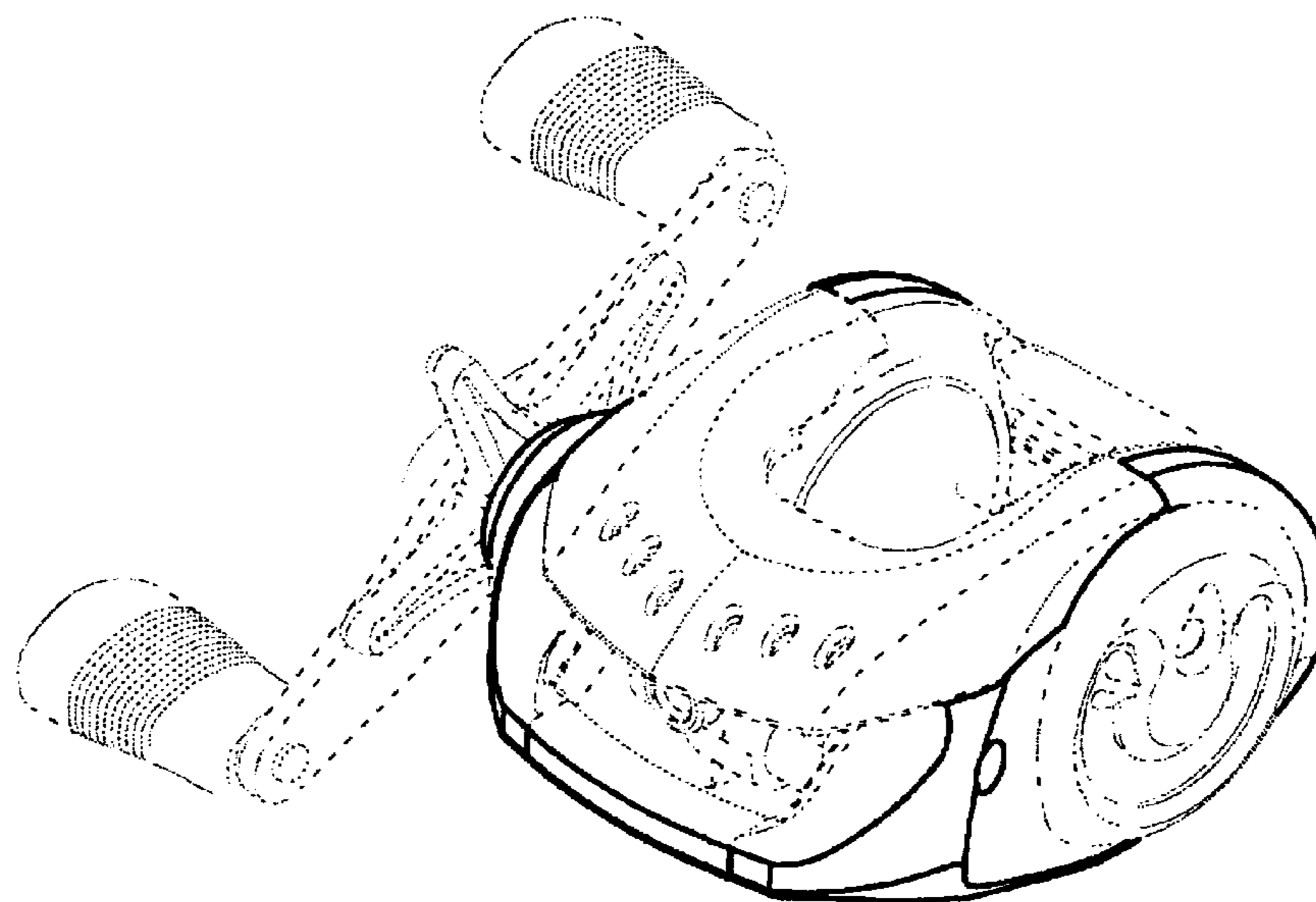


Figure 1

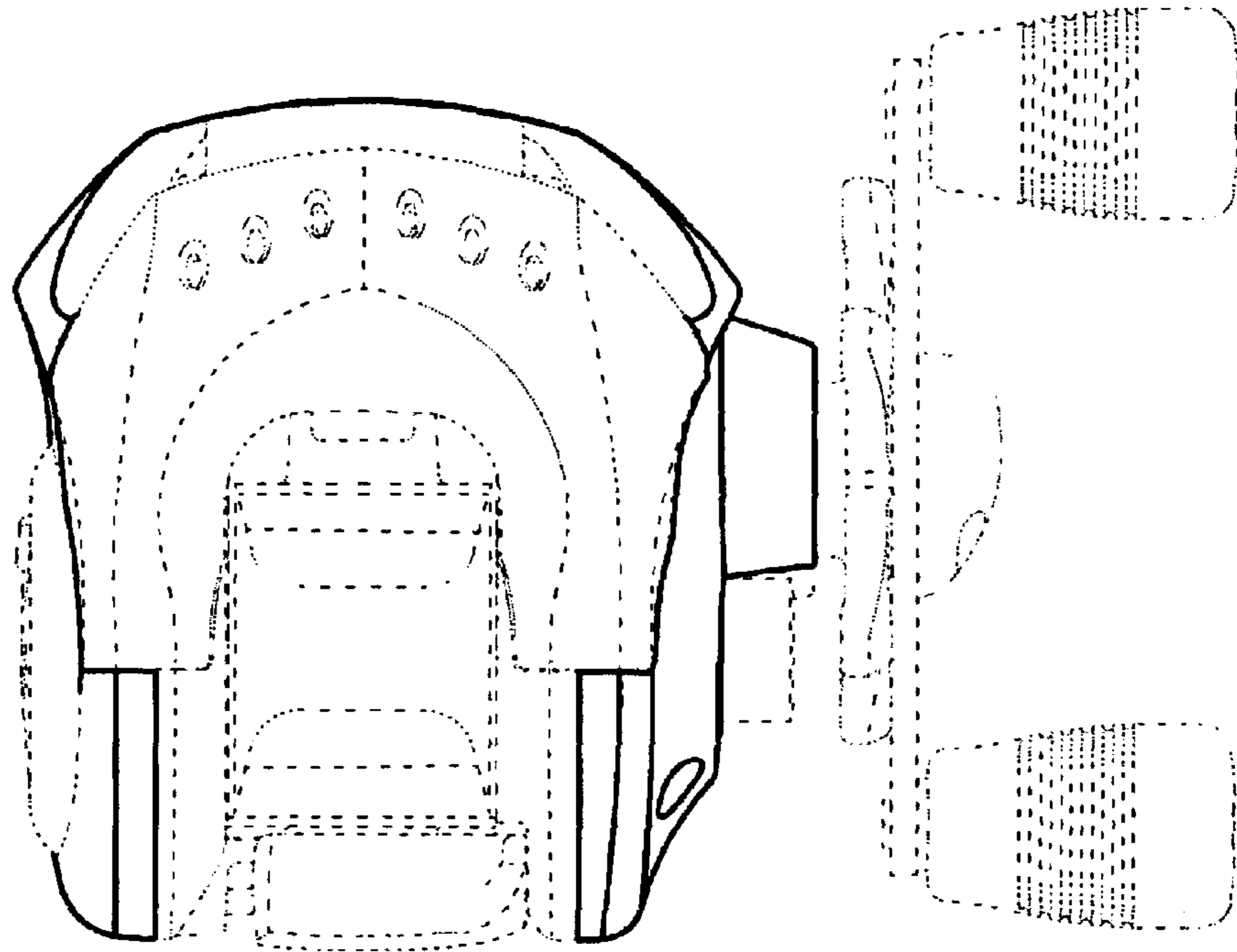


Figure 2

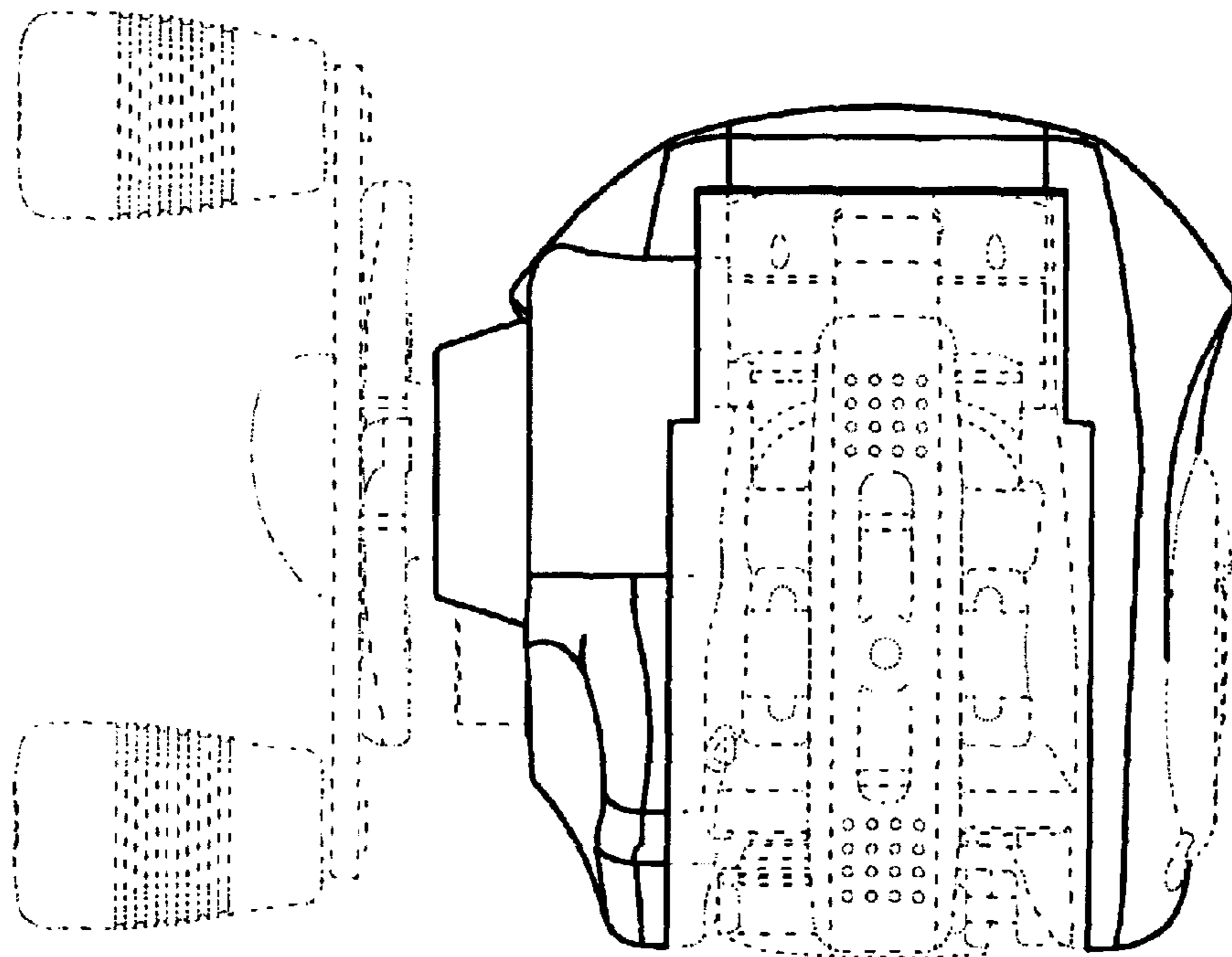


Figure 3

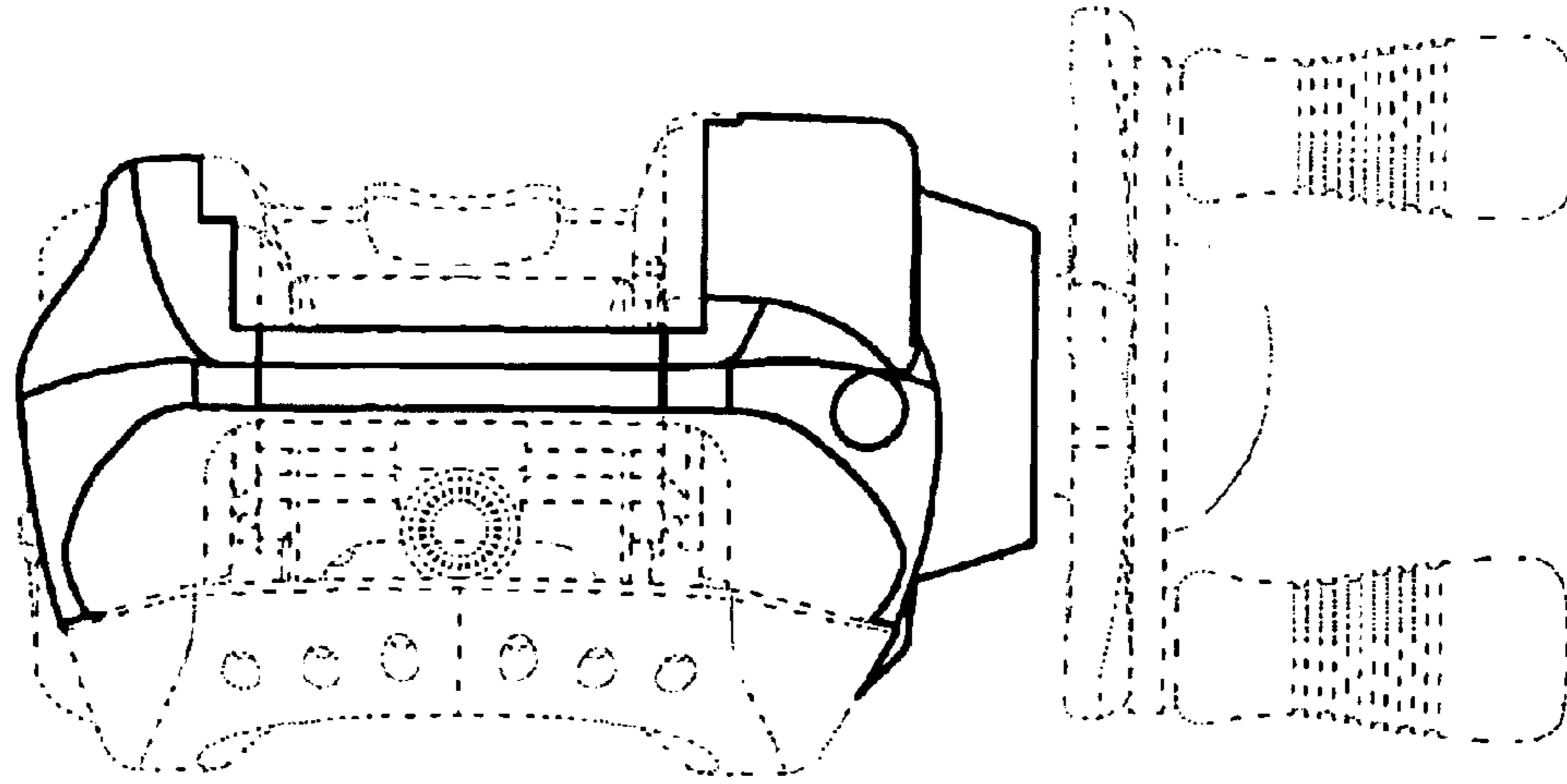


Figure 4

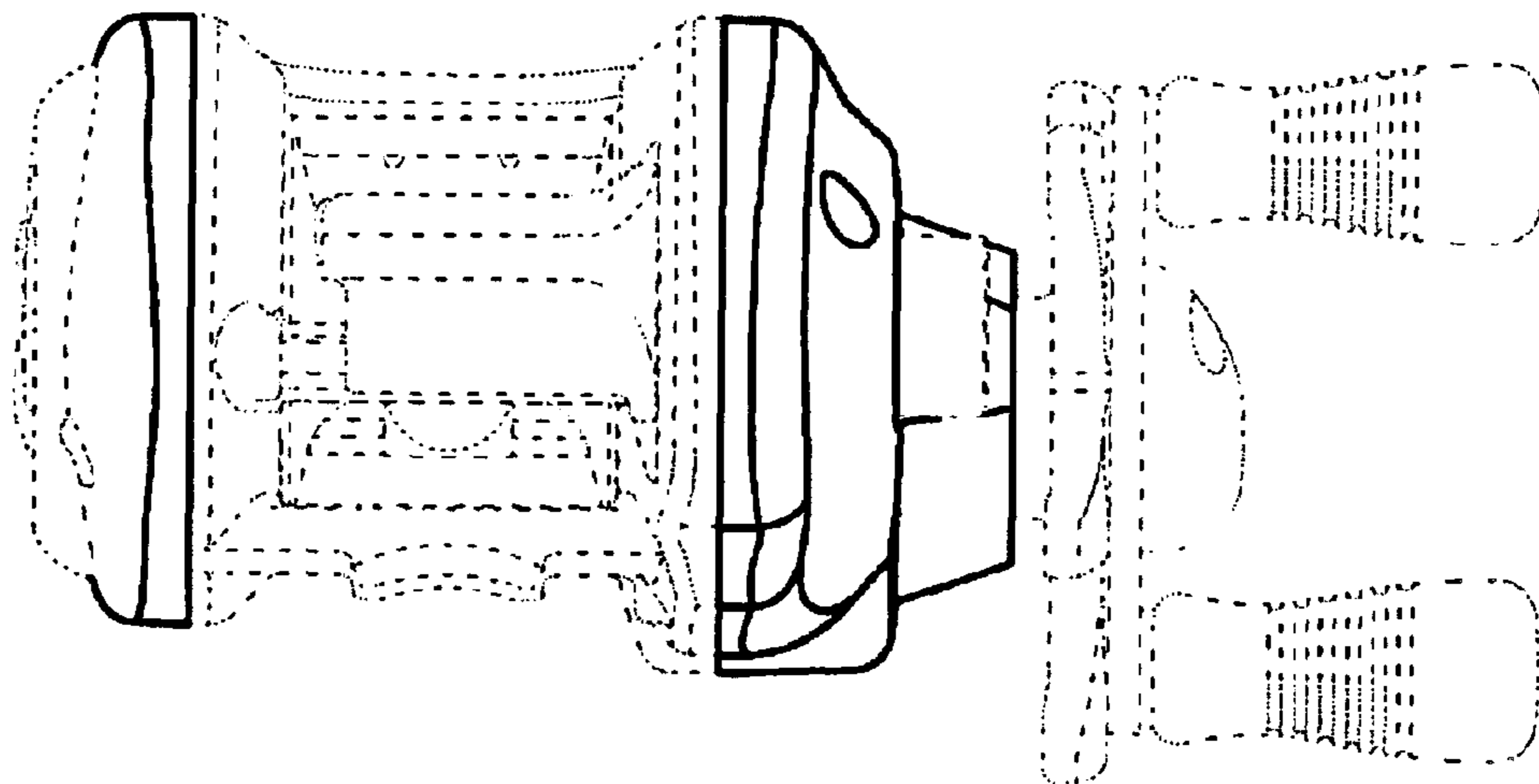


Figure 5

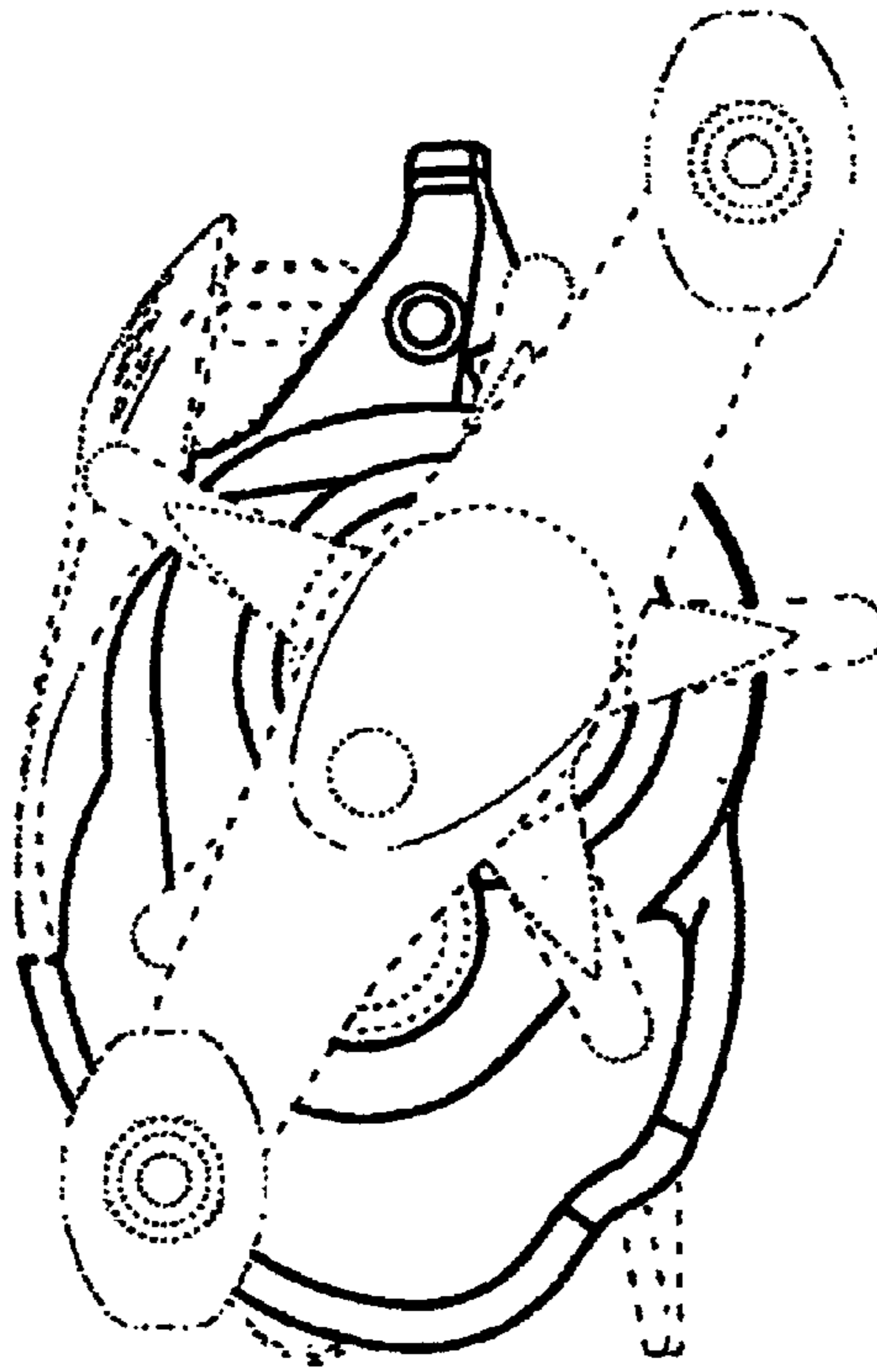


Figure 6

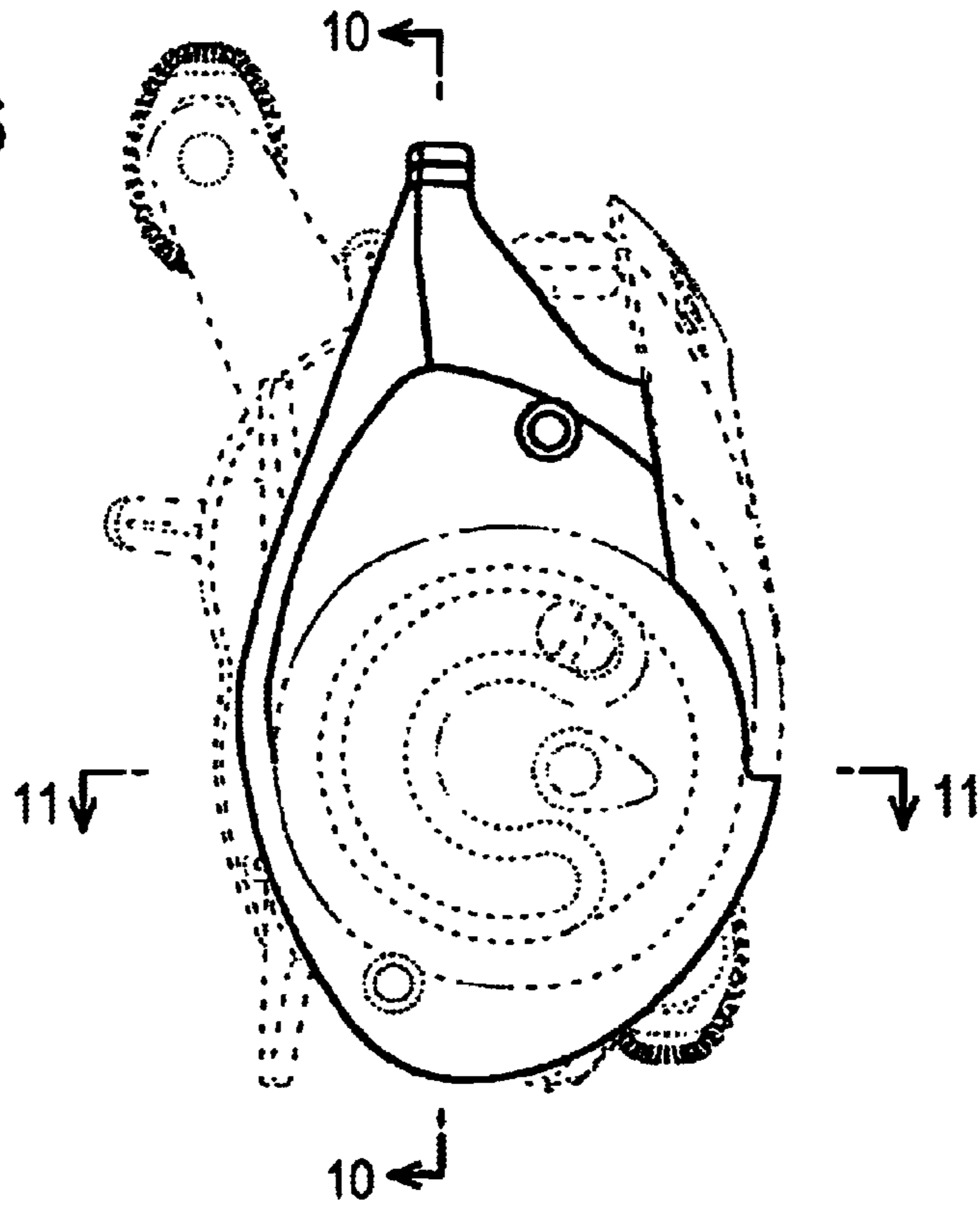


Figure 7

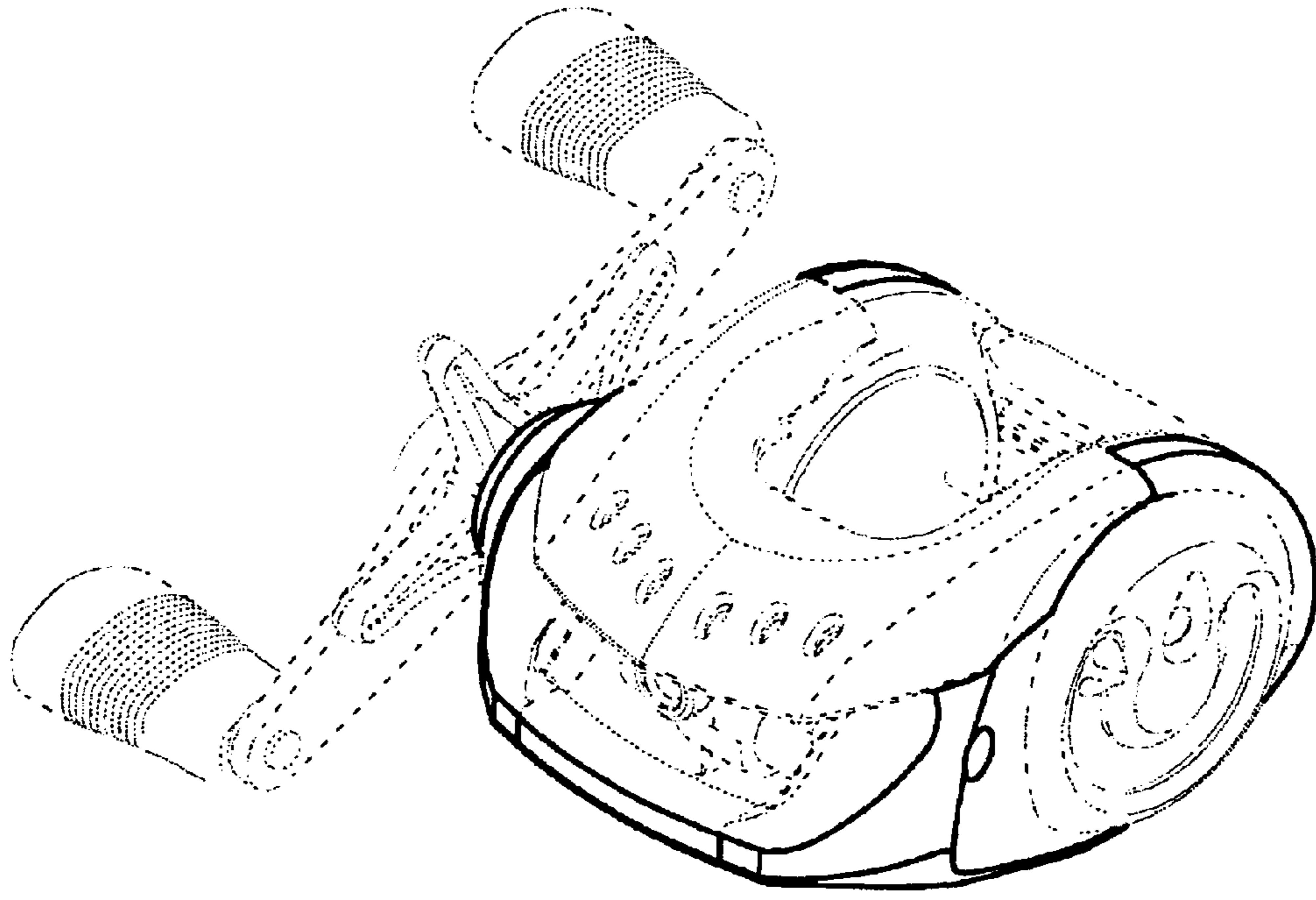


Figure 8

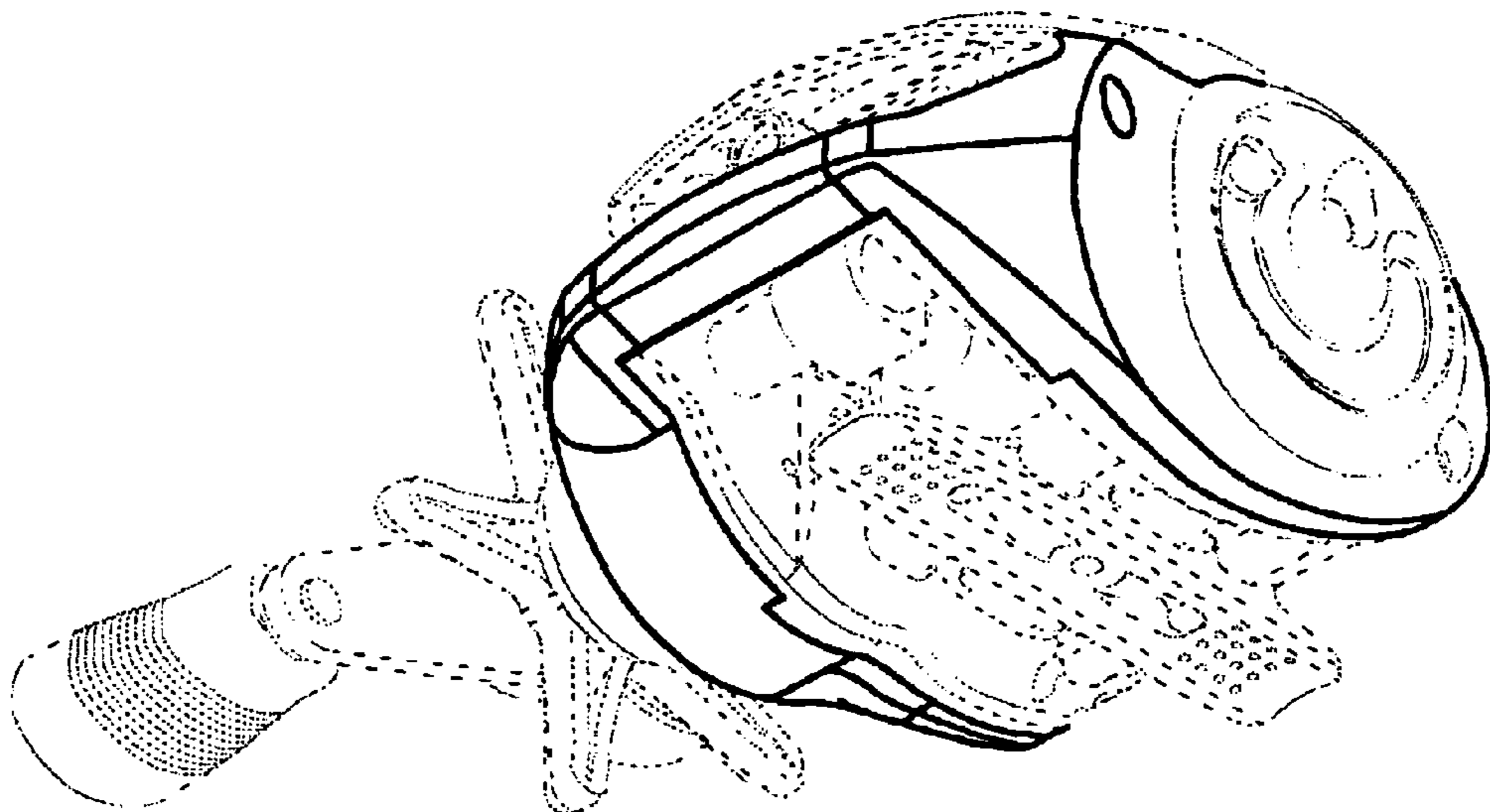


Figure 9

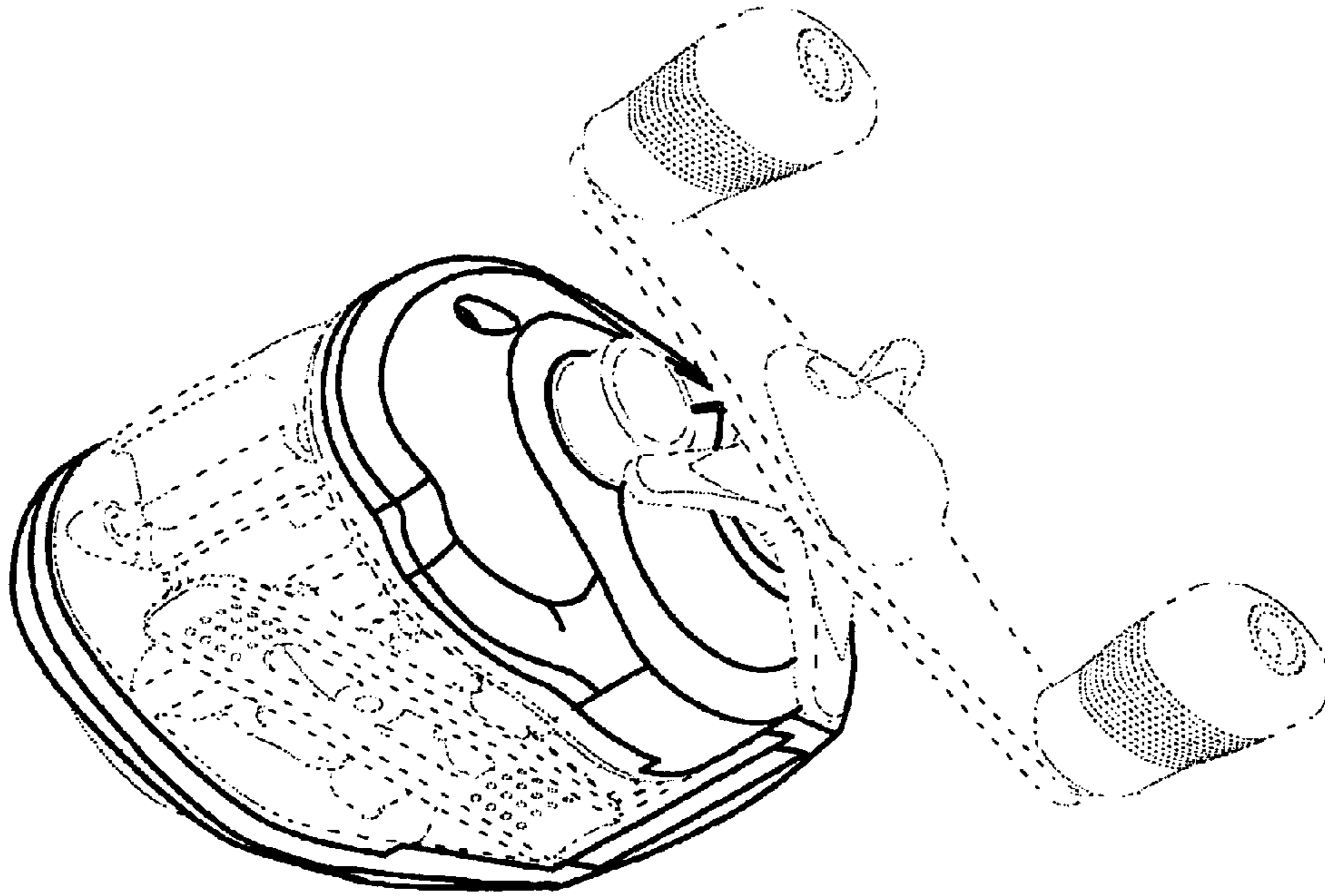


Figure 10

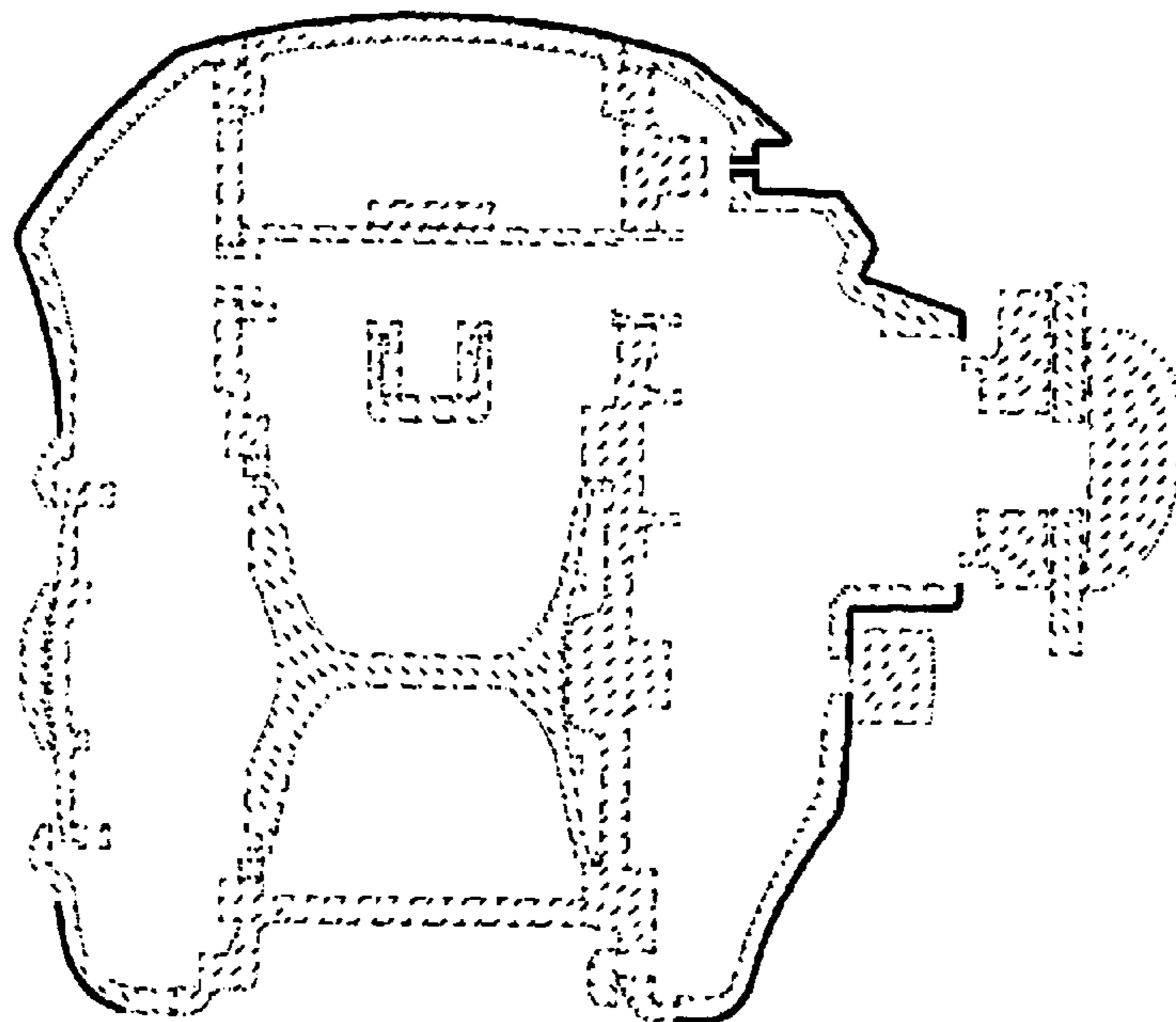


Figure 11

