



US00D502519S

(12) **United States Design Patent** (10) **Patent No.:** **US D502,519 S**  
**Kang** (45) **Date of Patent:** **\*\* Mar. 1, 2005**

(54) **GOLF PUTTER HEAD ATTACHMENT**

(76) Inventor: **Sock Jhin Kang**, 7-303, Asia  
Seonsuchon Apartment, 86, Jamsil  
7-dong, Songpa-ku, Seoul 138-797 (KR)

(\*\*) Term: **14 Years**

(21) Appl. No.: **29/194,571**

(22) Filed: **Nov. 28, 2003**

(30) **Foreign Application Priority Data**

May 30, 2003 (KR) ..... 30-2003-0015136

(51) **LOC (7) Cl.** ..... **21-02**

(52) **U.S. Cl.** ..... **D21/759**

(58) **Field of Search** ..... D21/736-746,  
D21/759; 473/324-331, 340, 341, 251-256

(56) **References Cited**

**U.S. PATENT DOCUMENTS**

D208,984 S	*	10/1967	Huelsman	.....	D21/736
4,002,343 A	*	1/1977	Eckert	.....	473/251
D279,399 S	*	6/1985	Neumunz	.....	D21/759
D310,115 S	*	8/1990	Iinuma	.....	D21/739
D314,031 S	*	1/1991	Iinuma	.....	D21/739
D360,446 S	*	7/1995	Juliano	.....	D21/759
D494,238 S	*	8/2004	Fain	.....	D21/736
D494,646 S	*	8/2004	Fain	.....	D21/736

\* cited by examiner

*Primary Examiner*—Mitchell Siegel  
(74) *Attorney, Agent, or Firm*—Greenblum & Bernstein P.L.C.

(57) **CLAIM**

I claim the ornamental design for a golf putter head attachment, as shown and described.

**DESCRIPTION**

The golf putter head attachment is manufactured from metal. As shown in FIG. 1 of the drawings, the golf putter head attachment of the present design can make a golfer hit a ball using virtual face of the present design with no awareness of real face of the putter when putting. This makes a golf ball go straight and have more topspin.

FIG. 1 is a front perspective view of an embodiment of the golf putter head attachment, showing my new design;

FIG. 2 is a front elevational view of the embodiment of FIG. 1;

FIG. 3 is a rear elevational view of the embodiment of FIG. 1;

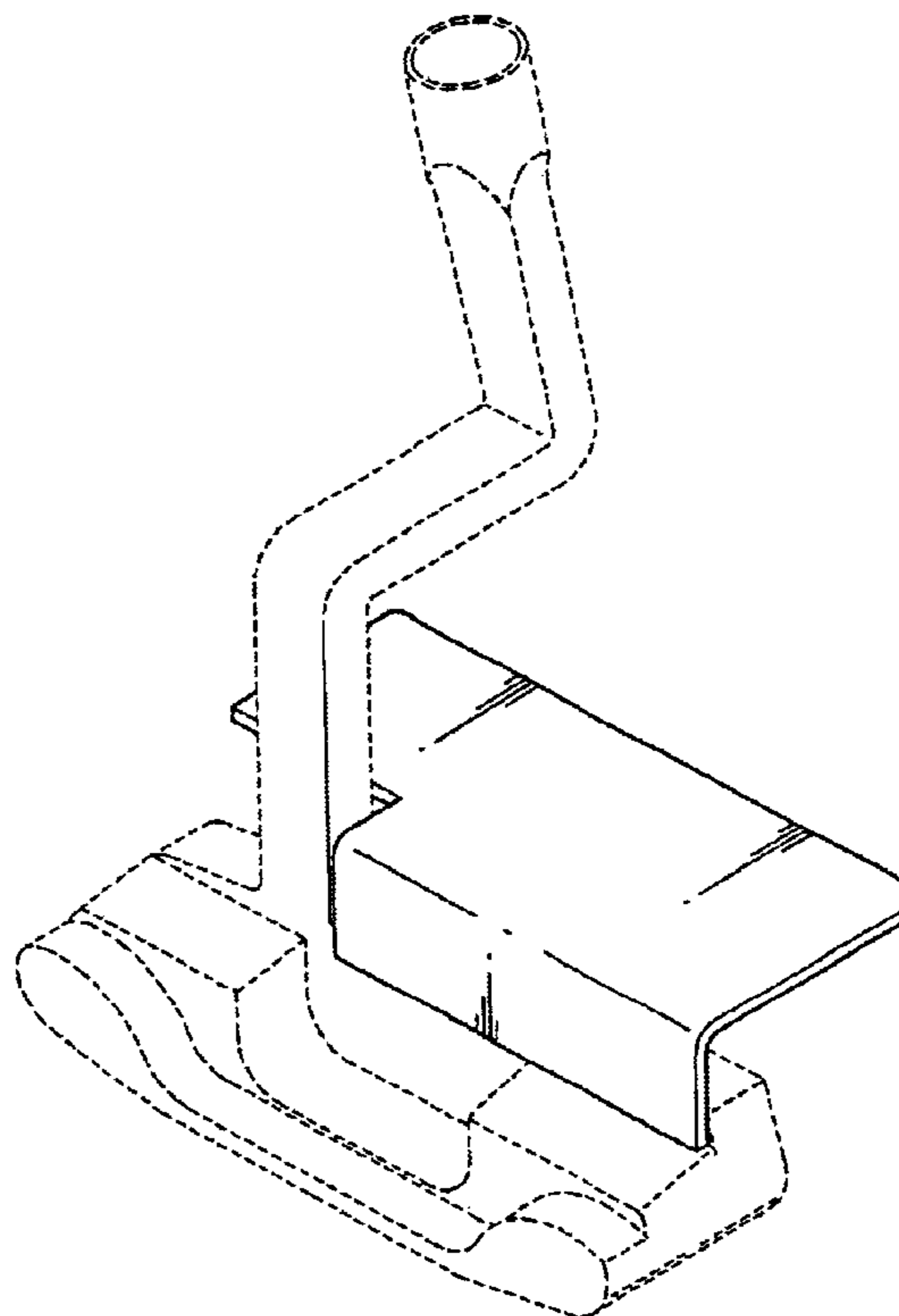
FIG. 4 is a left side elevational view of the embodiment of FIG. 1;

FIG. 5 is a right side elevational view of the embodiment of FIG. 1;

FIG. 6 is a top plan view of the embodiment of FIG.; and, FIG. 7 is a bottom plan view of the embodiment of FIG. 1.

The broken line showing is for illustrative purposes only and forms no part of the claimed design.

**1 Claim, 6 Drawing Sheets**



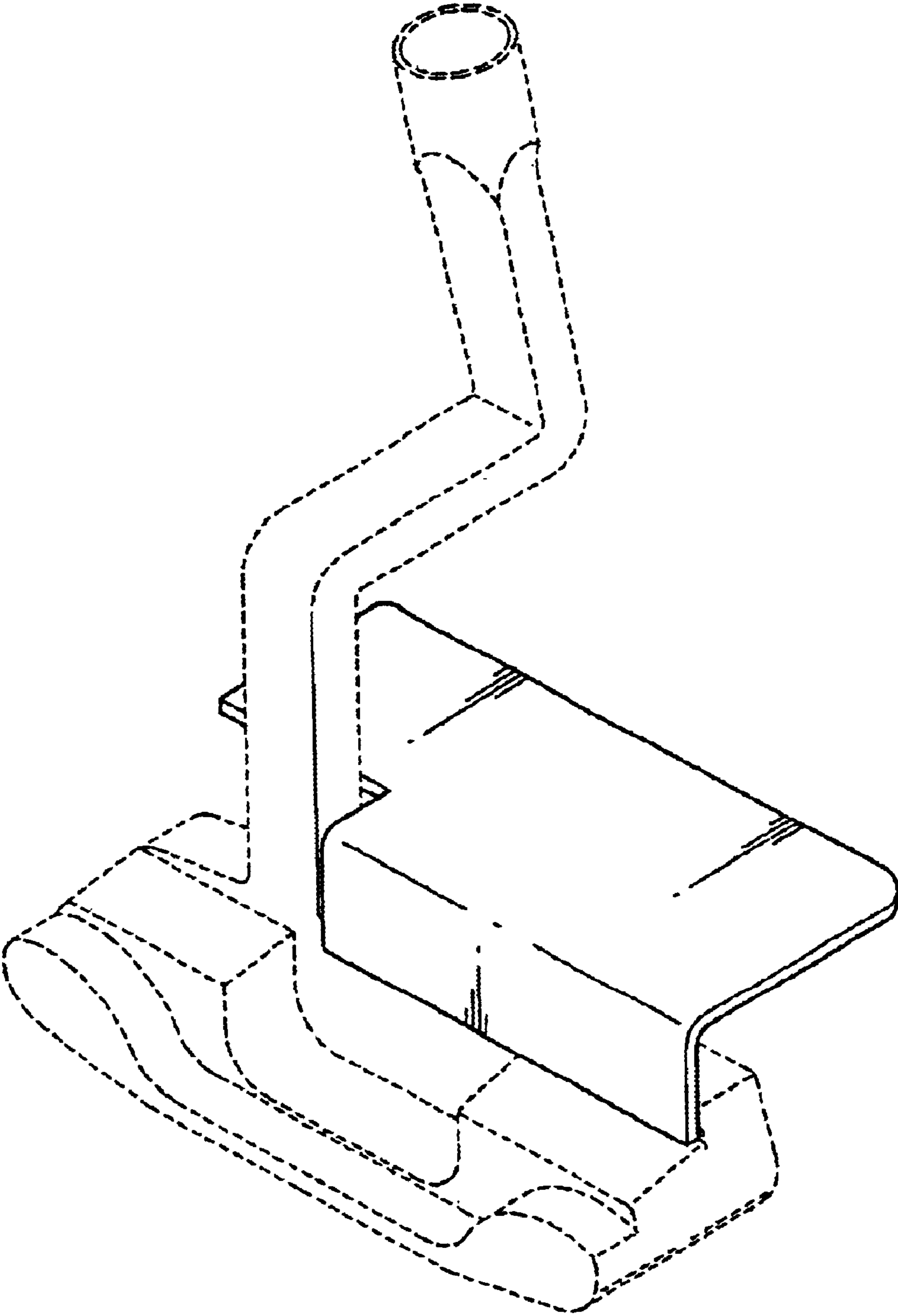


FIG. 1

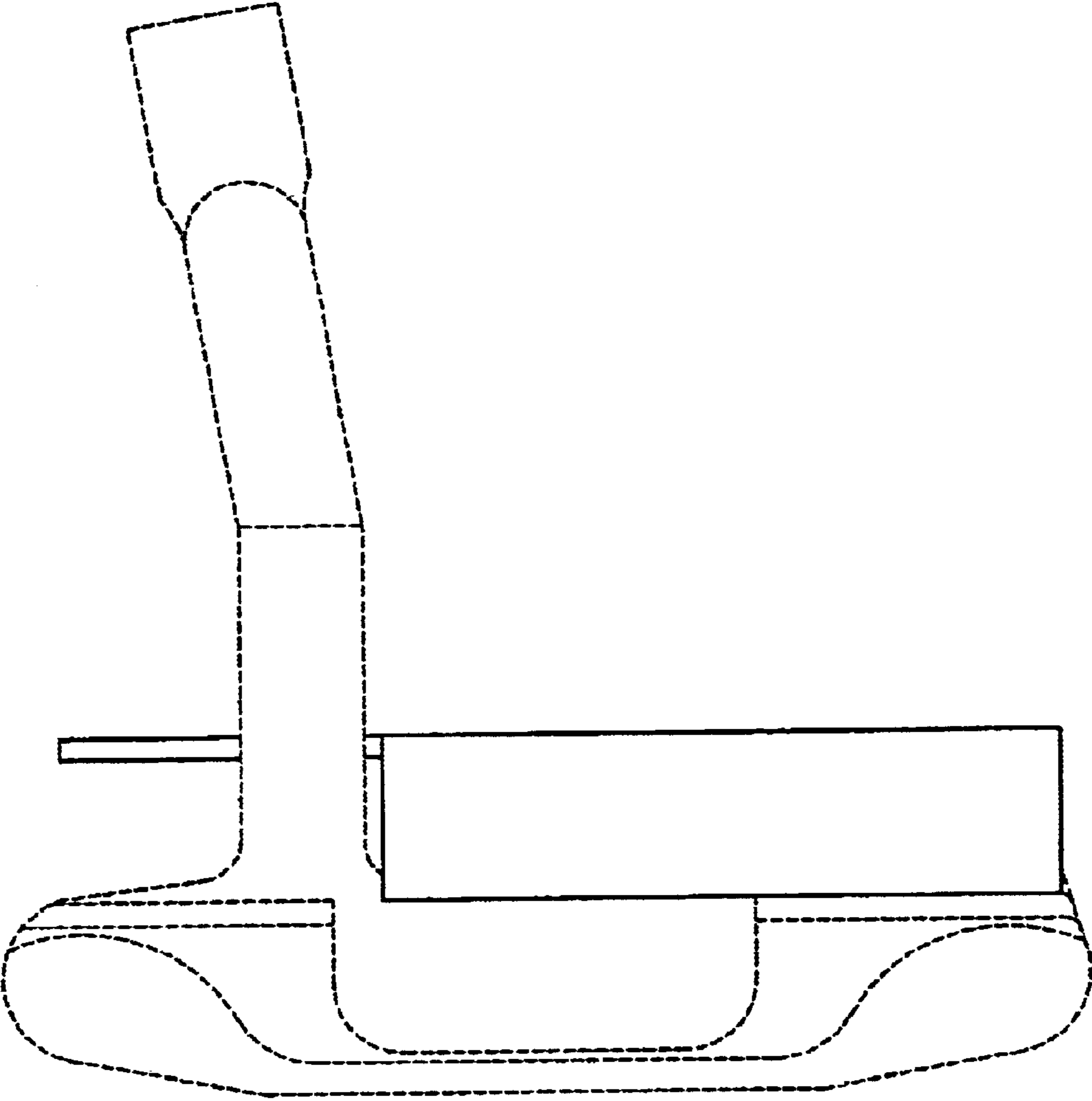


FIG. 2

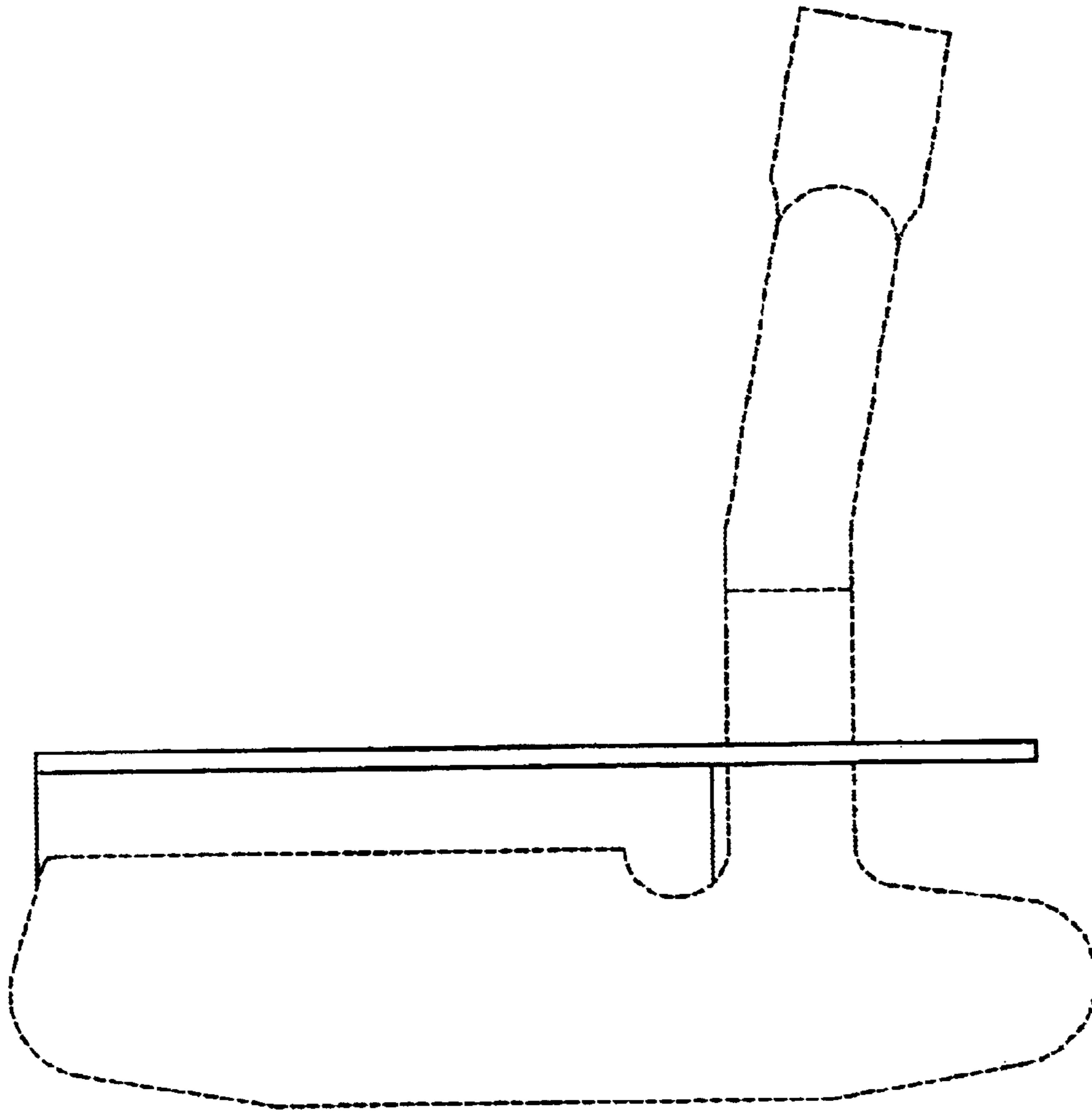


FIG. 3

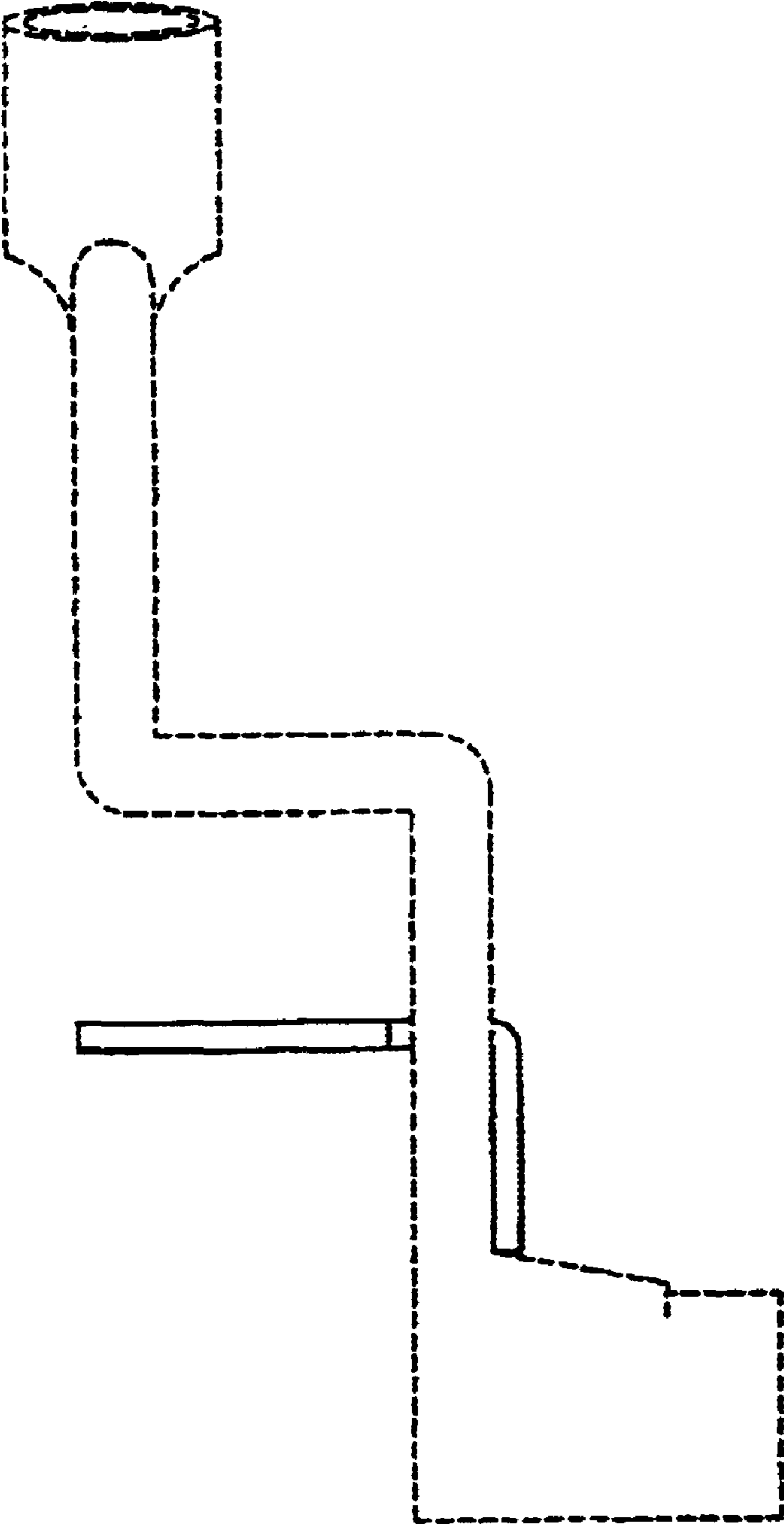


FIG. 4

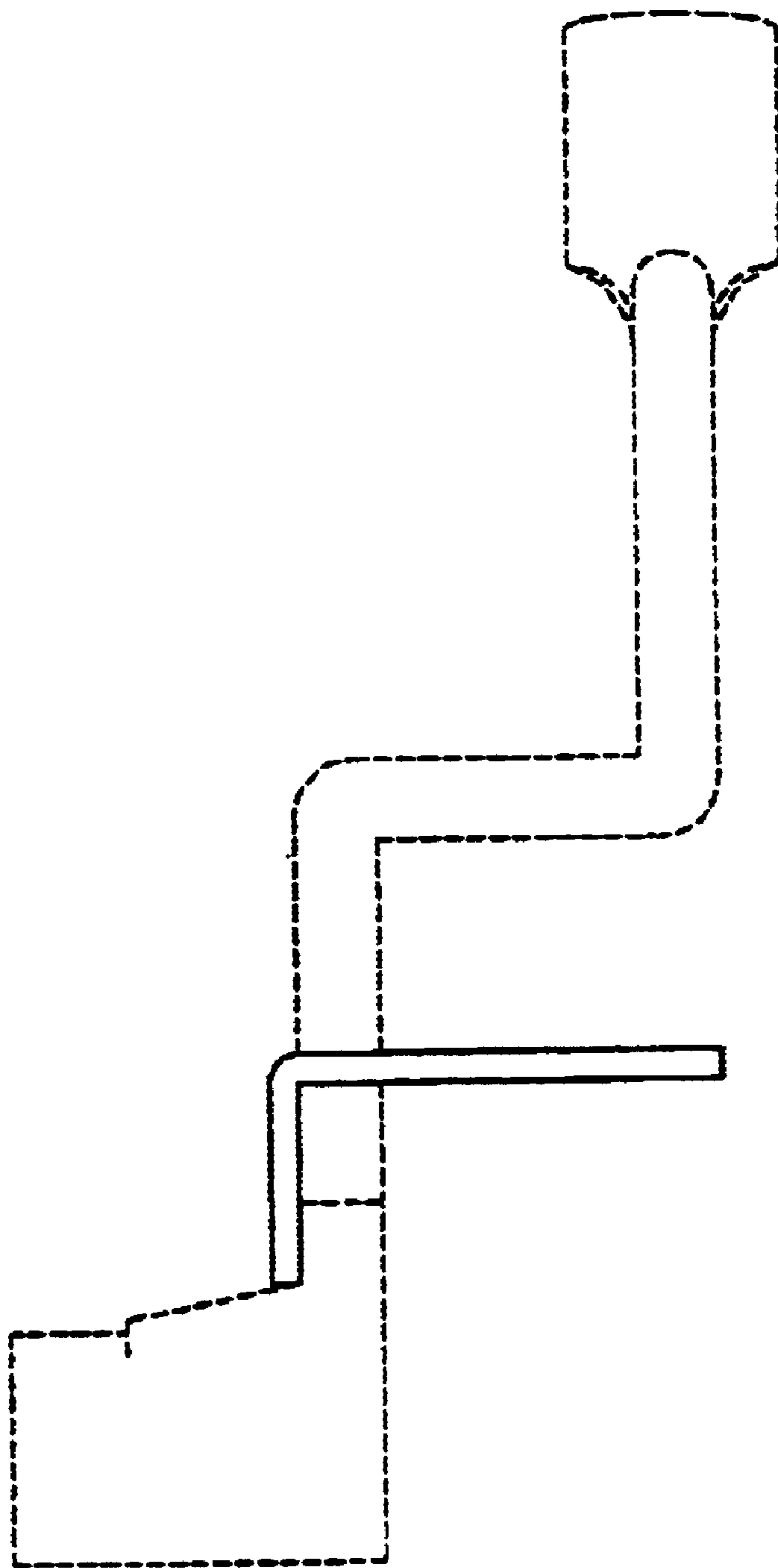


FIG. 5

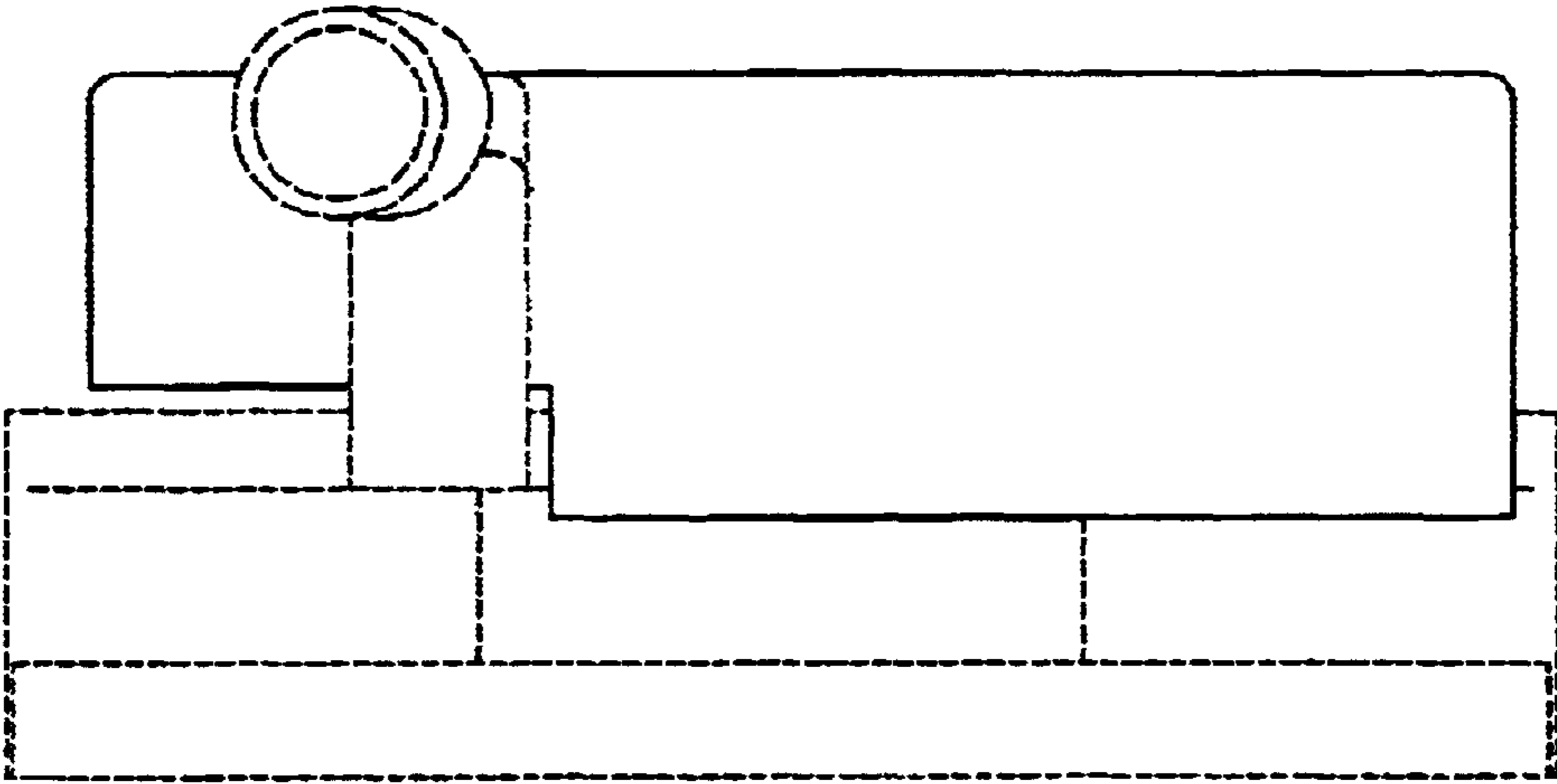


FIG. 6

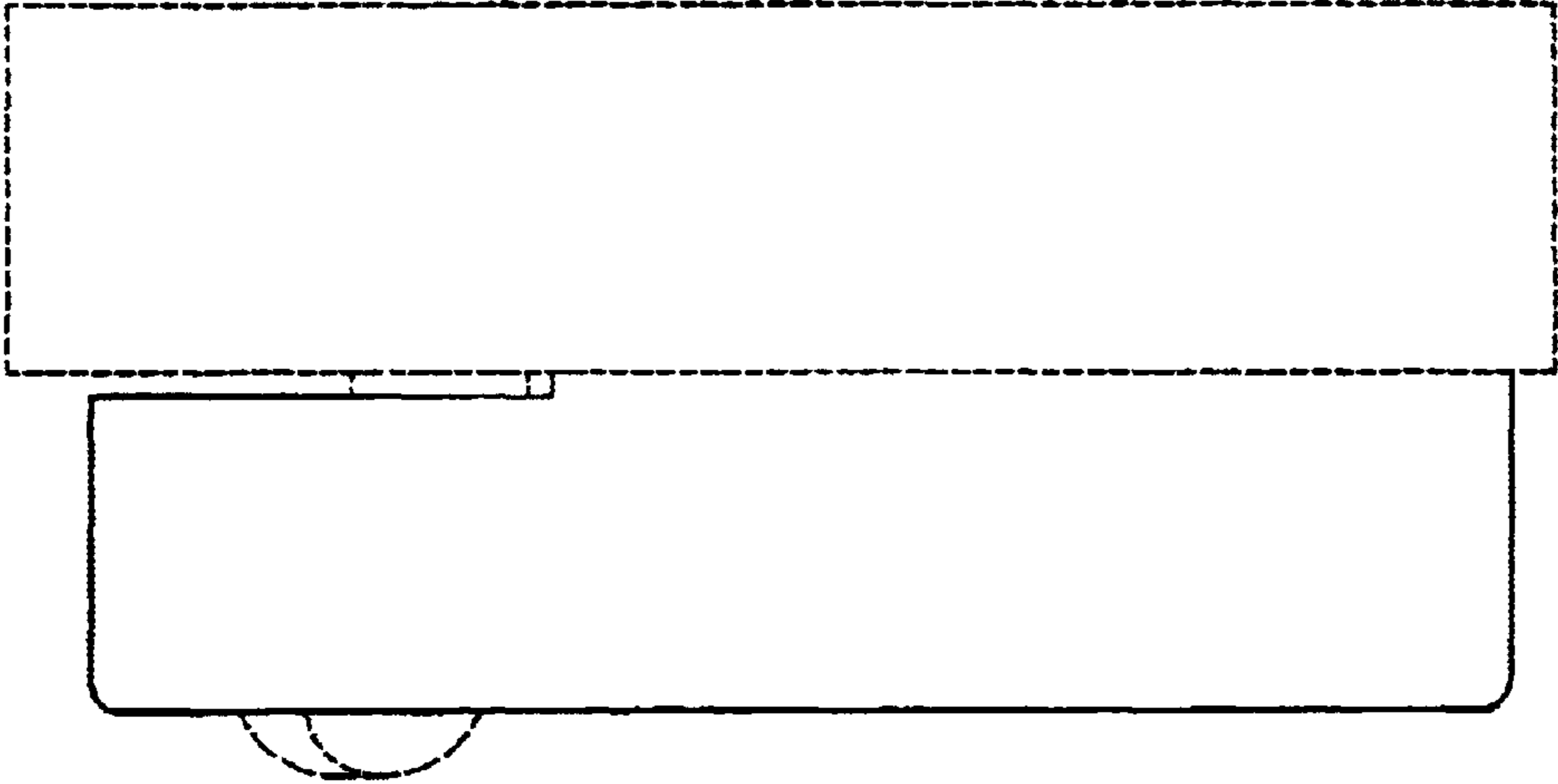


FIG. 7