



US00D502518S

(12) **United States Design Patent** (10) **Patent No.:** **US D502,518 S**  
**Smart** (45) **Date of Patent:** **\*\* Mar. 1, 2005**

(54) **GOLF CLUB PUTTER HEAD**

(76) Inventor: **Robert S. Smart**, 7644 Jasmine Cir.  
NW., North Canton, OH (US) 44720

(\*\*) Term: **14 Years**

(21) Appl. No.: **29/196,635**

(22) Filed: **Jan. 2, 2004**

(51) **LOC (7) Cl.** ..... **21-02**

(52) **U.S. Cl.** ..... **D21/736**

(58) **Field of Search** ..... D21/736-746;  
473/324-331, 340, 341, 251-256

(56) **References Cited**

**U.S. PATENT DOCUMENTS**

1,690,388	A	11/1928	Waldron	
5,080,365	A	1/1992	Winchell	
5,429,356	A	7/1995	Dingle et al.	
5,700,207	A	12/1997	Guthrie et al.	
5,890,969	A	4/1999	Bechler	
D410,716	S	6/1999	Bendo et al.	
5,938,538	A	8/1999	Broadbridge et al.	
6,019,686	A	2/2000	Gray	
D422,328	S	4/2000	Lannoch	
6,045,453	A	4/2000	Jenkins	
D477,041	S	7/2003	Cameron	
D486,540	S	* 2/2004	Bettinardi	..... D21/738
D486,541	S	* 2/2004	Bettinardi	..... D21/738
D494,237	S	* 8/2004	Ware	..... D21/736

2002/0025859 A1 2/2002 Finn

\* cited by examiner

*Primary Examiner*—Mitchell Siegel

(74) *Attorney, Agent, or Firm*—Zollinger & Burleson Ltd

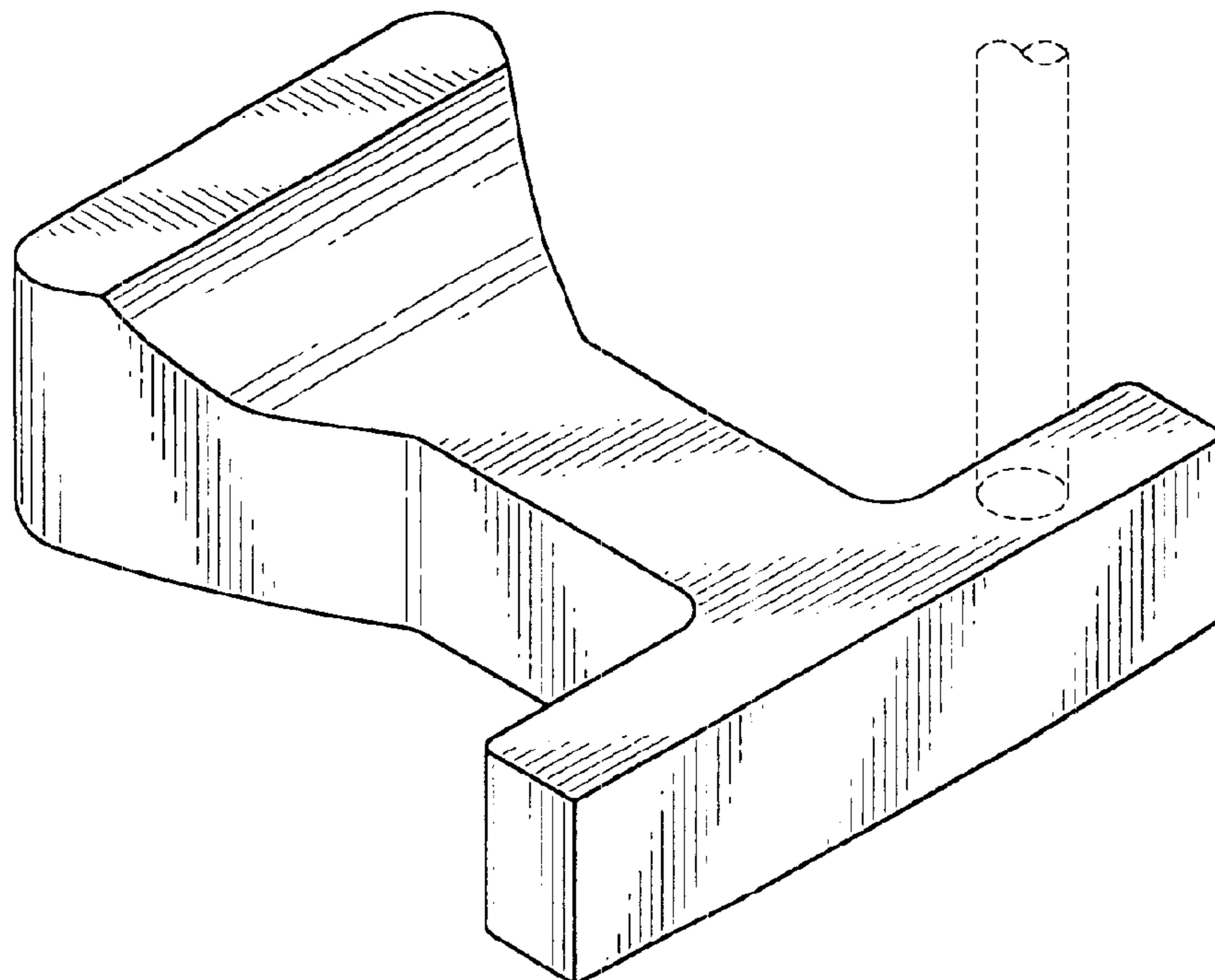
(57) **CLAIM**

The ornamental design for the golf club putter head, as shown and described.

**DESCRIPTION**

FIG. 1 is a perspective view of a first embodiment of the golf club putter head according to my invention.  
 FIG. 2 is a front elevation view of FIG. 1.  
 FIG. 3 is a rear elevation view of FIG. 1.  
 FIG. 4 is a top plan view of FIG. 1.  
 FIG. 5 is a bottom plan view of FIG. 1.  
 FIG. 6 is a left side elevation view of FIG. 1.  
 FIG. 7 is a right side elevation view of FIG. 1.  
 FIG. 8 is a perspective view of a second embodiment of the golf club putter head according to my new design.  
 FIG. 9 is a front elevation view of FIG. 8.  
 FIG. 10 is a rear elevation view of FIG. 8.  
 FIG. 11 is a top plan view of FIG. 8.  
 FIG. 12 is a bottom plan view of FIG. 8.  
 FIG. 13 is a left side elevation view of FIG. 8; and,  
 FIG. 14 is a right side elevation view of FIG. 8.  
 The dashed lines shown in the drawings form no part of the claimed design.

**1 Claim, 6 Drawing Sheets**



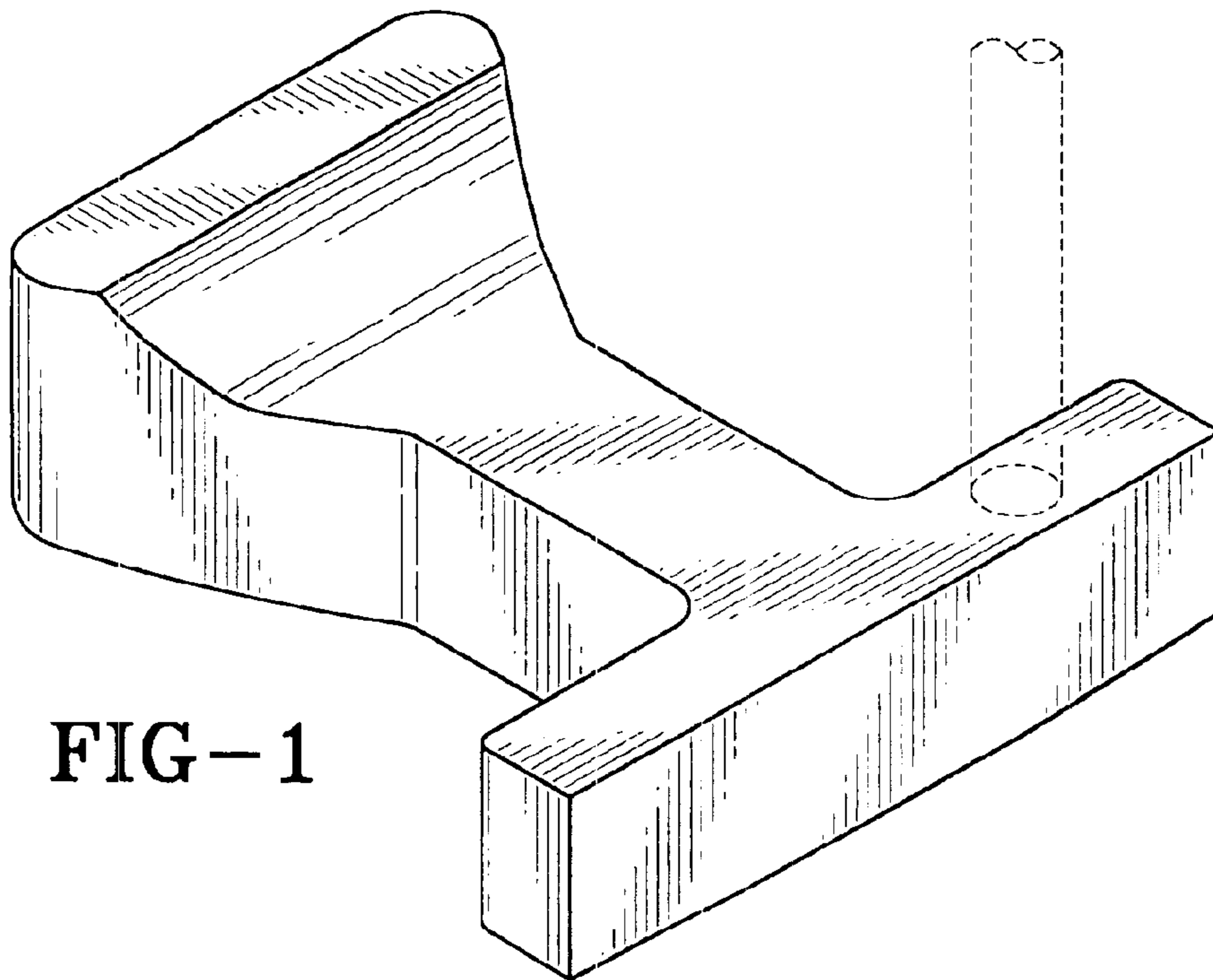


FIG-1

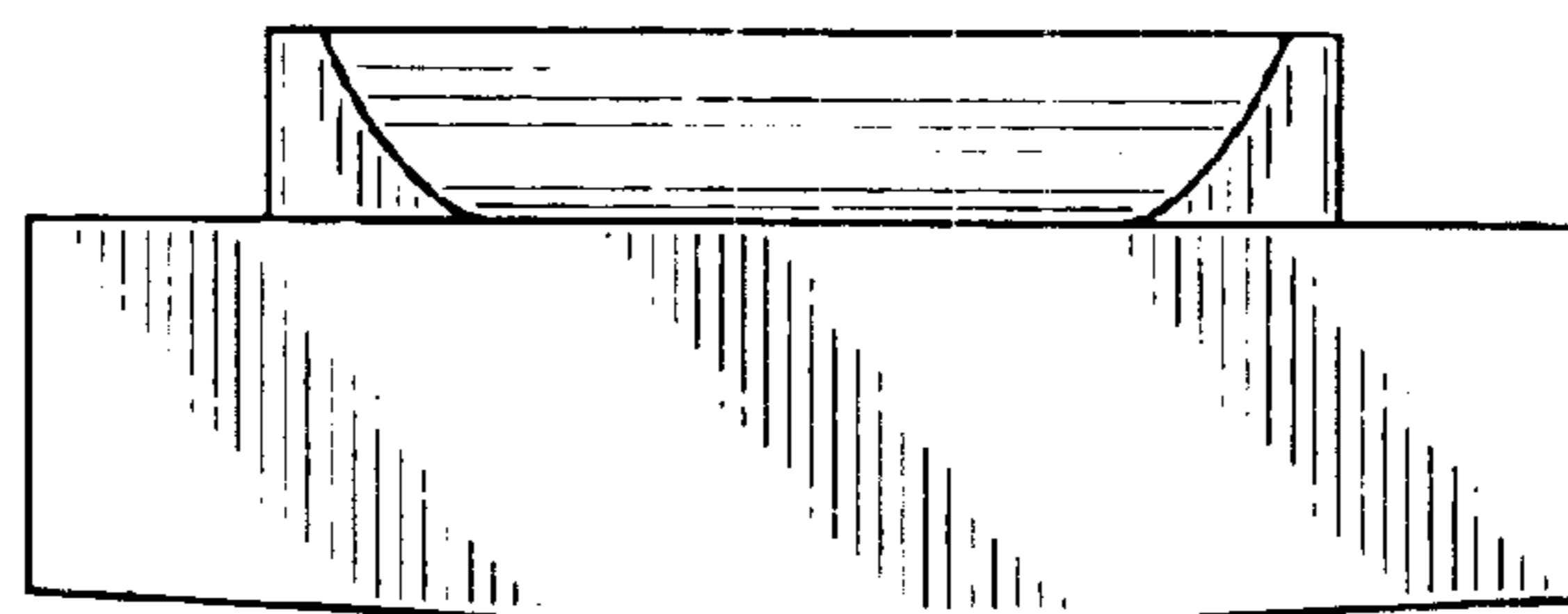


FIG-2

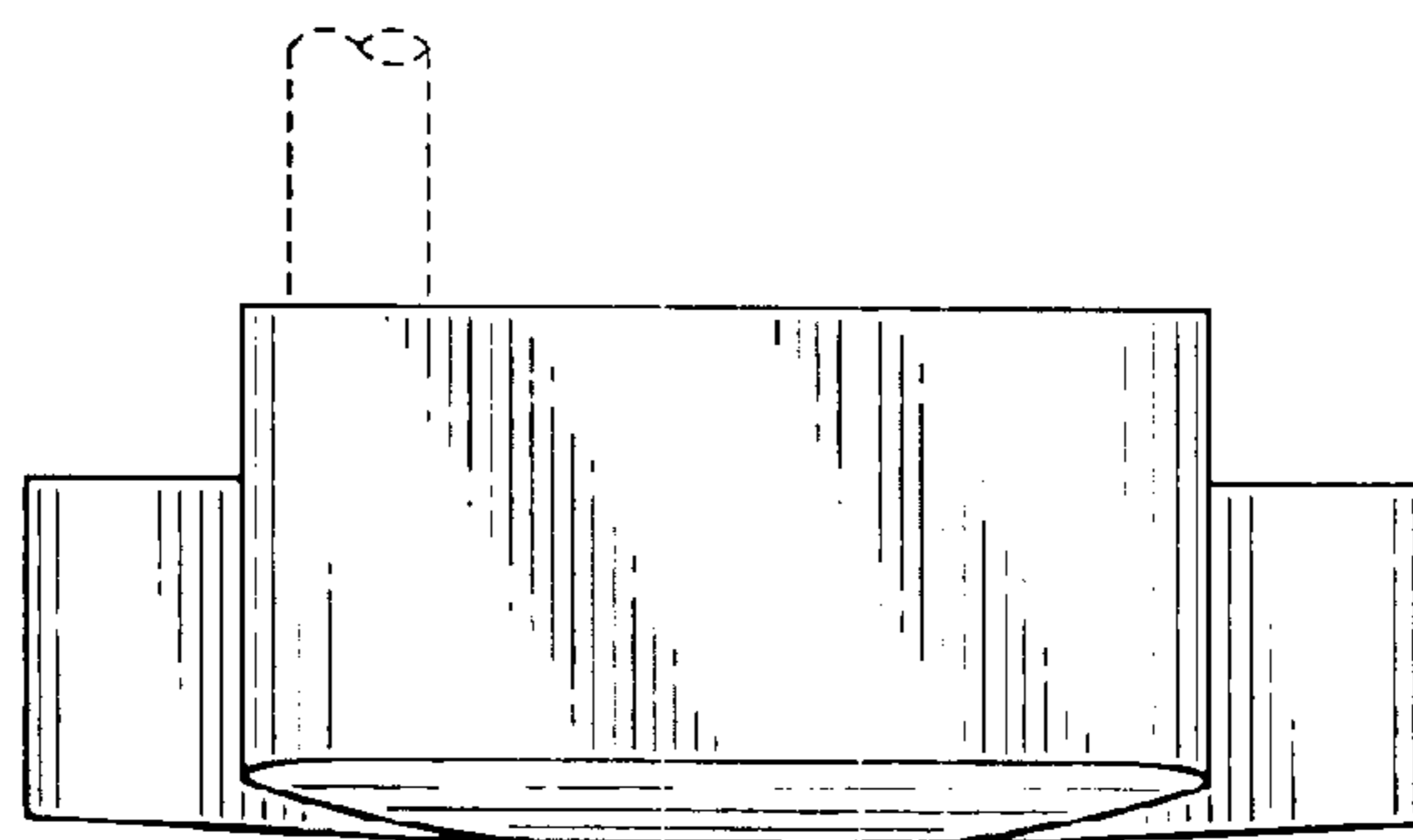


FIG-3

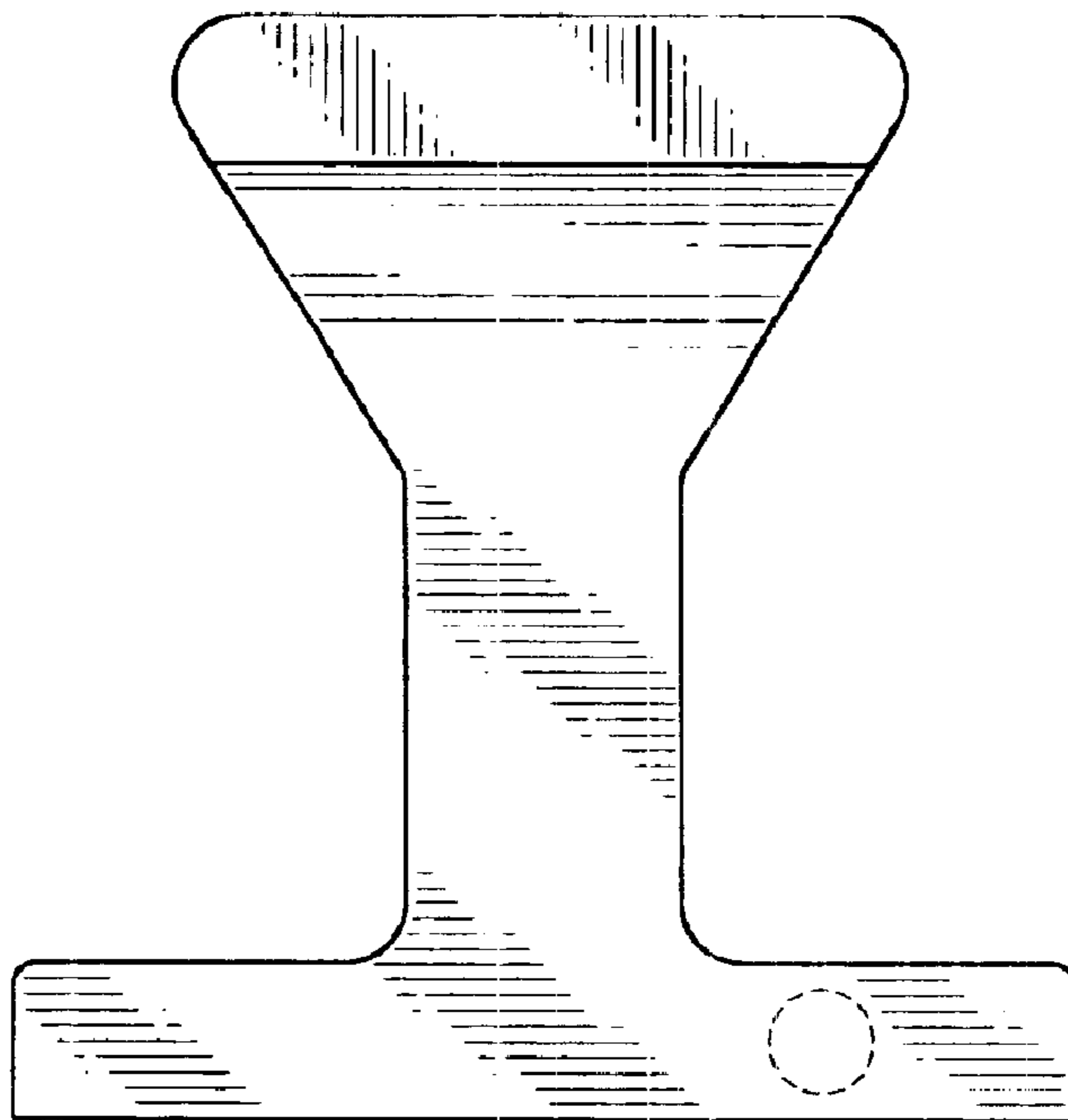


FIG-4

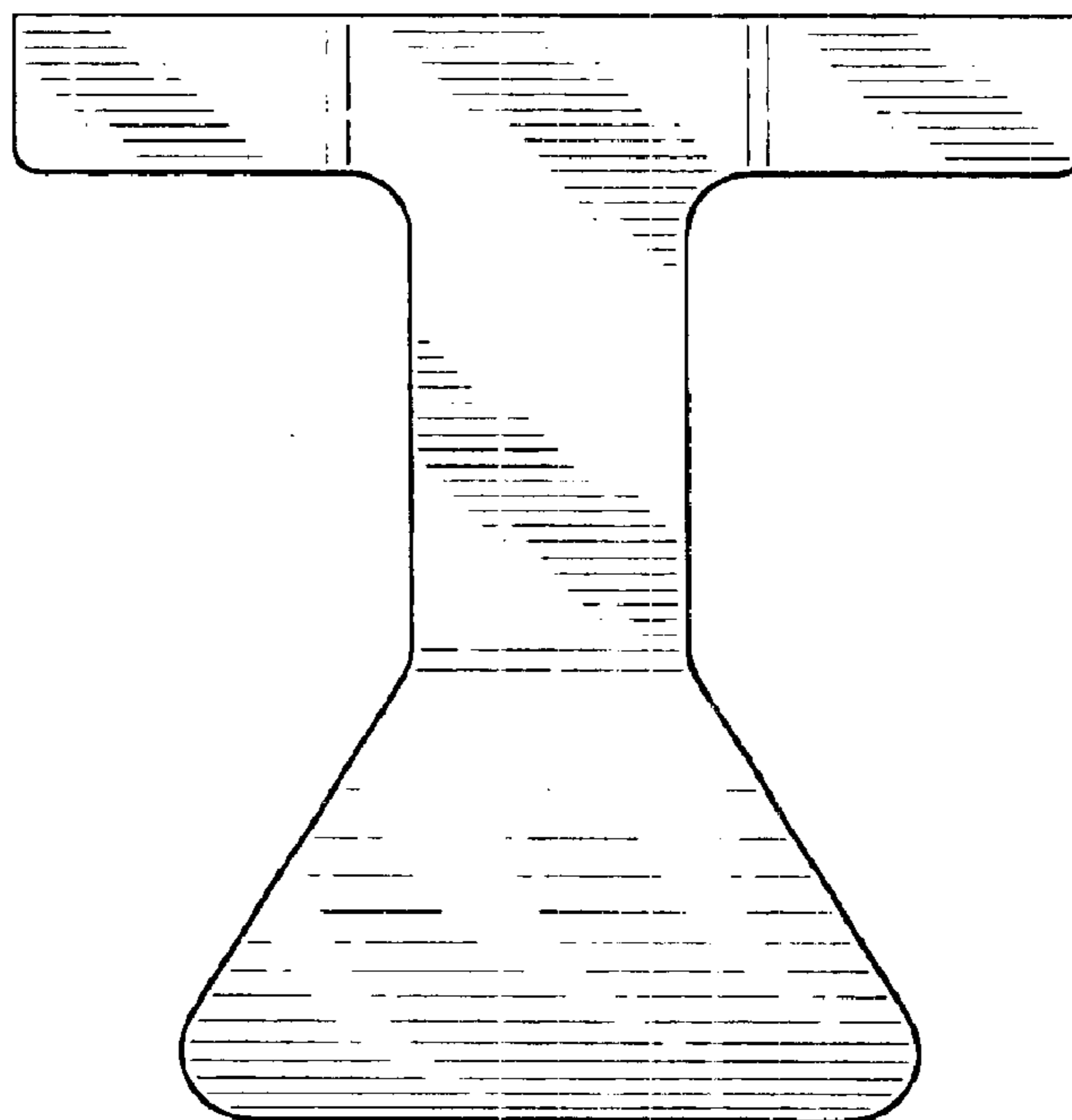


FIG-5

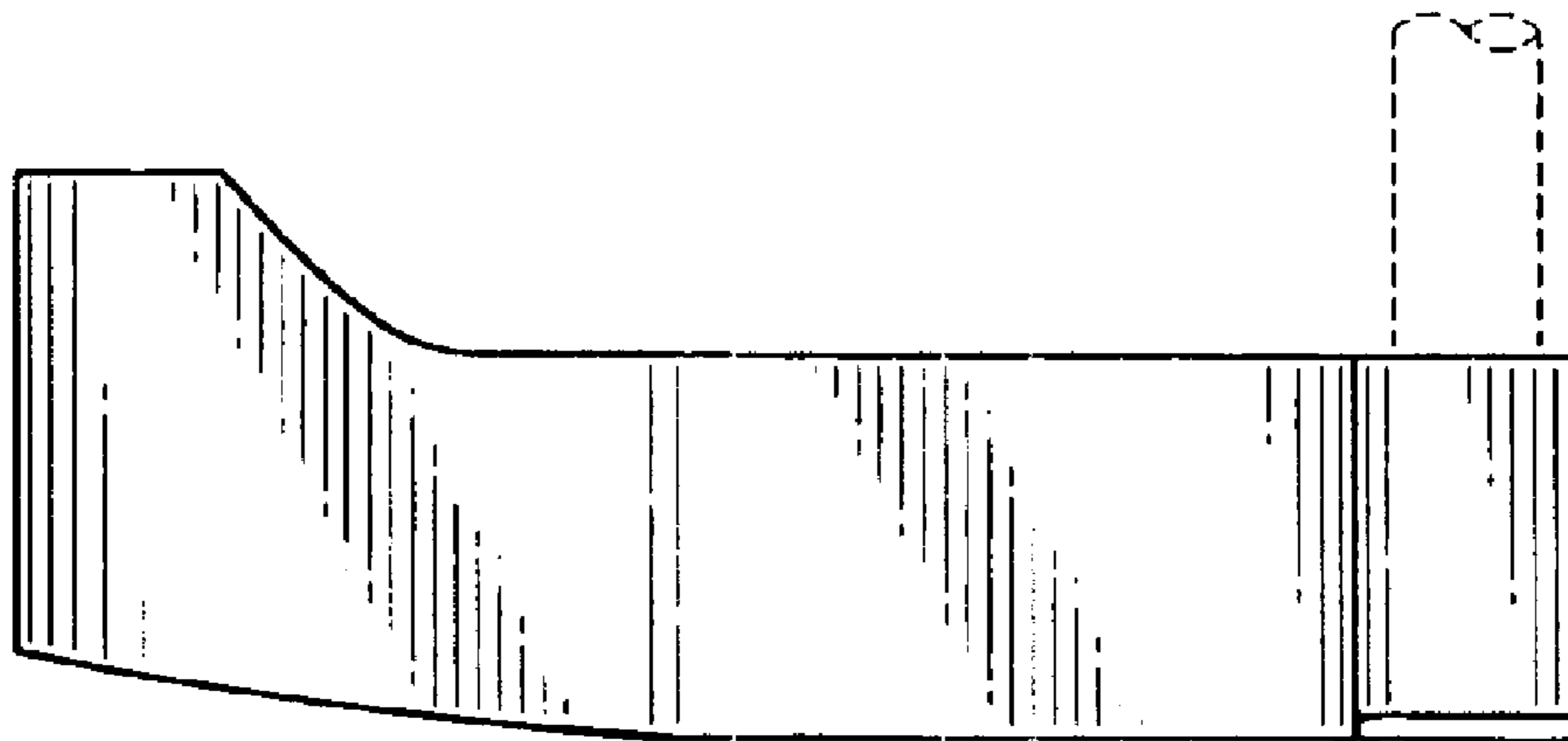


FIG-6

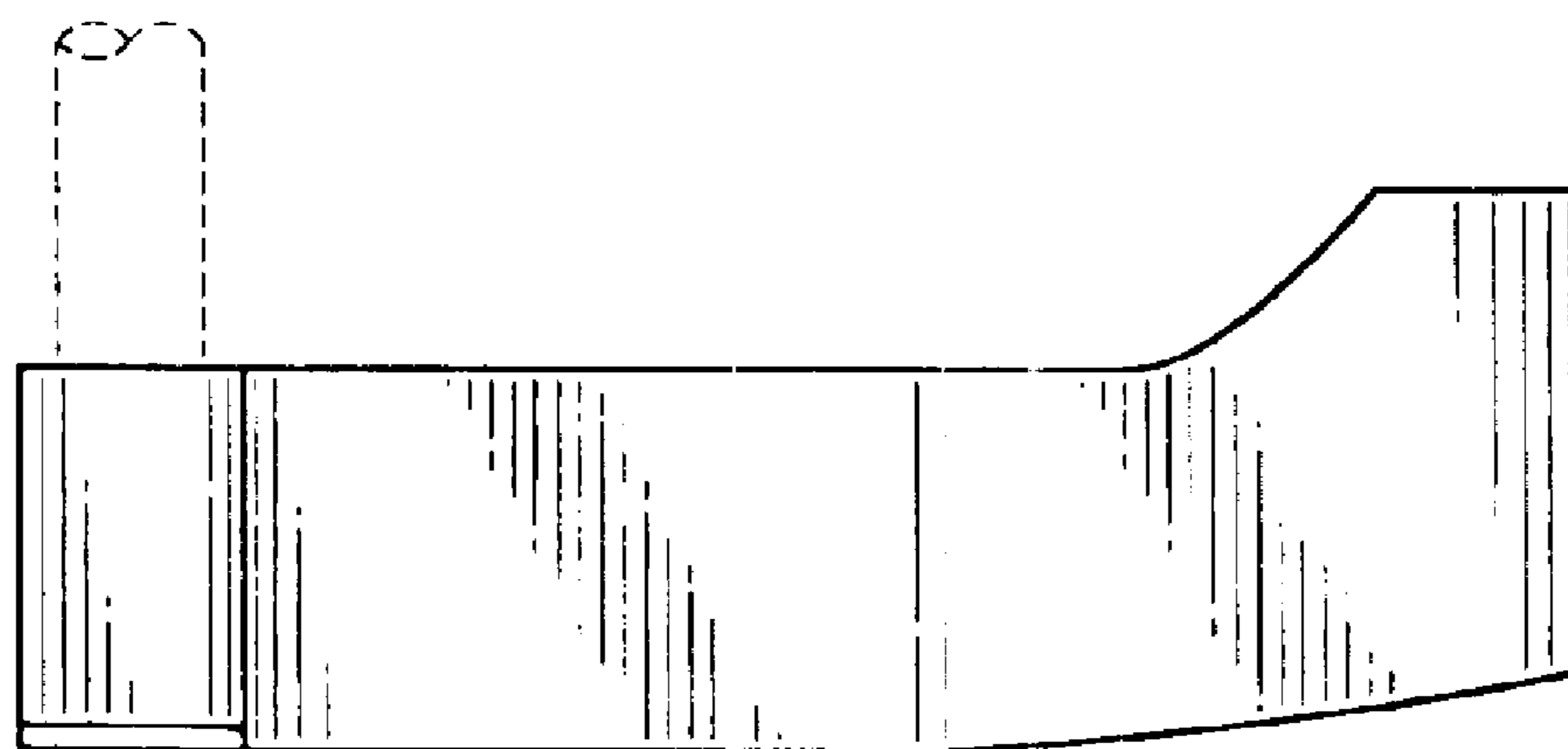


FIG-7

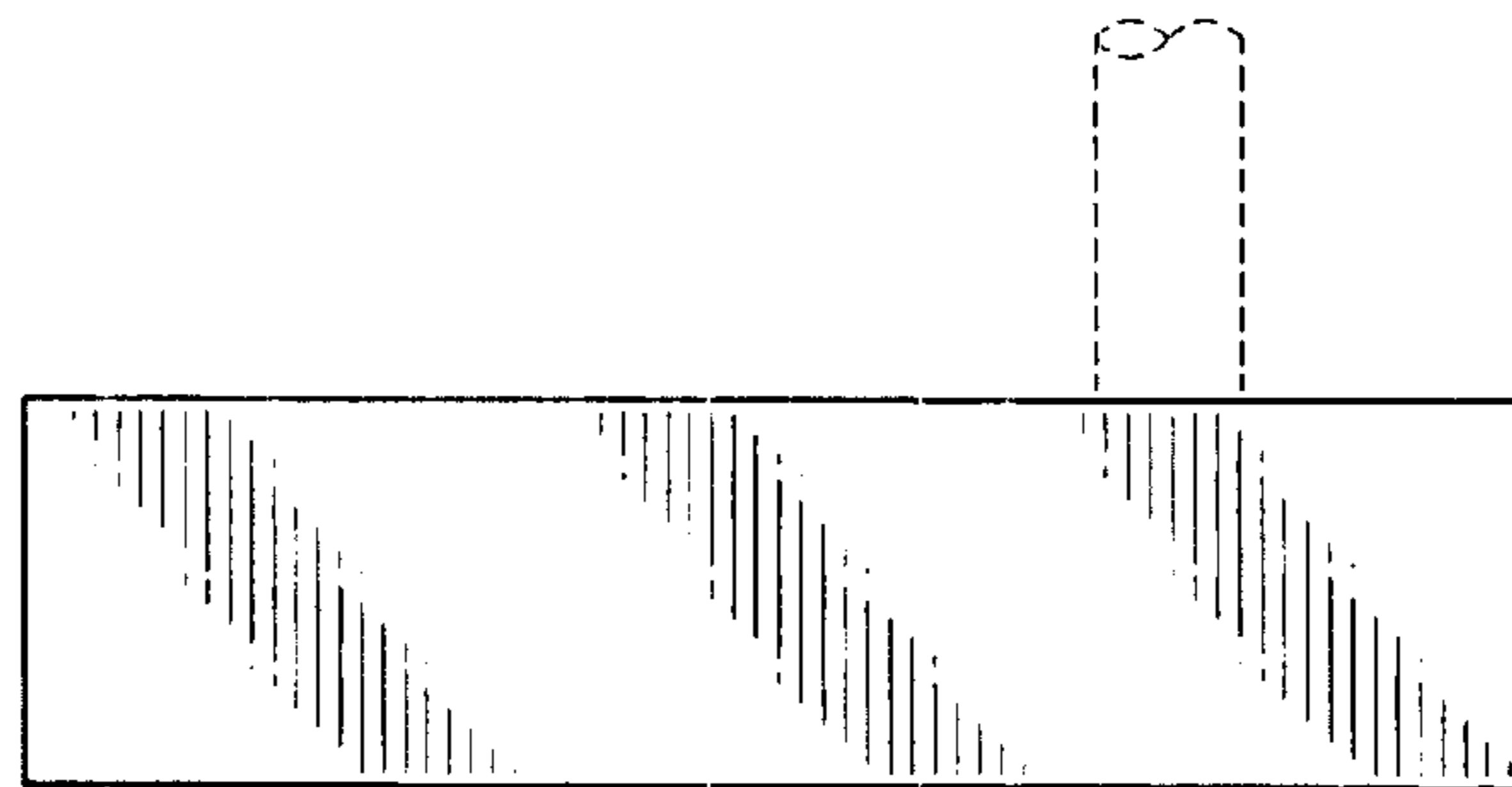
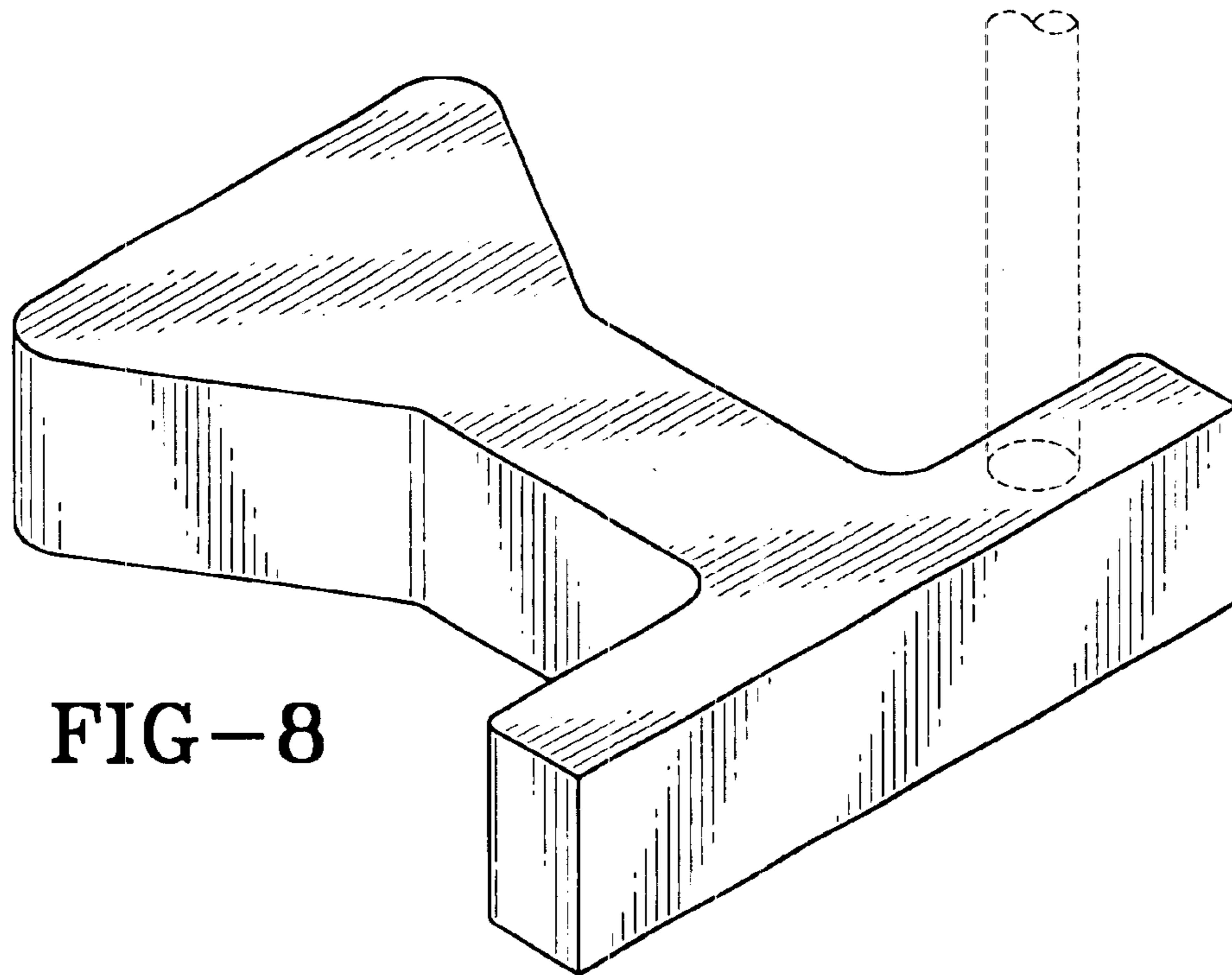


FIG-9

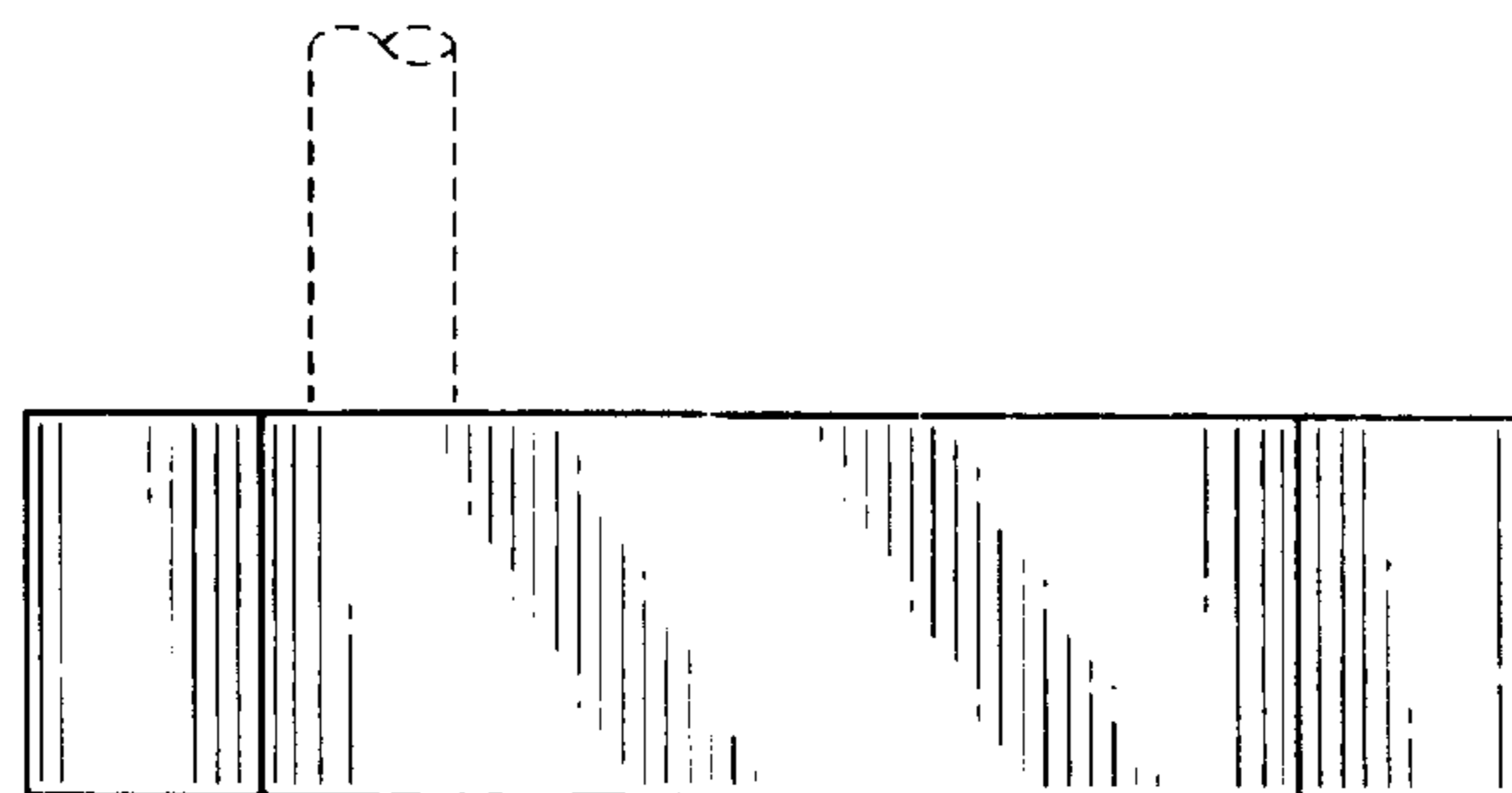


FIG-10

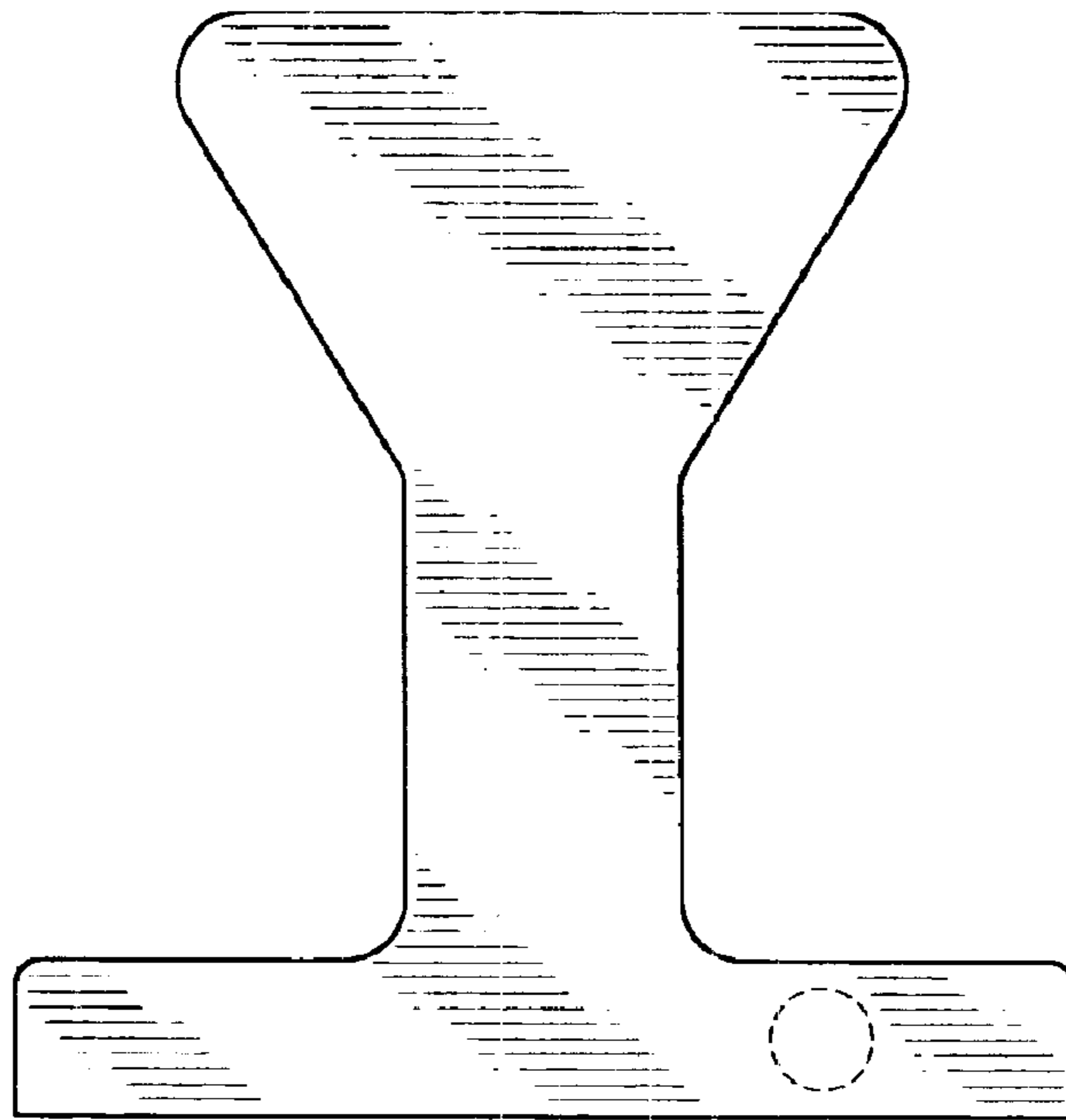


FIG-11

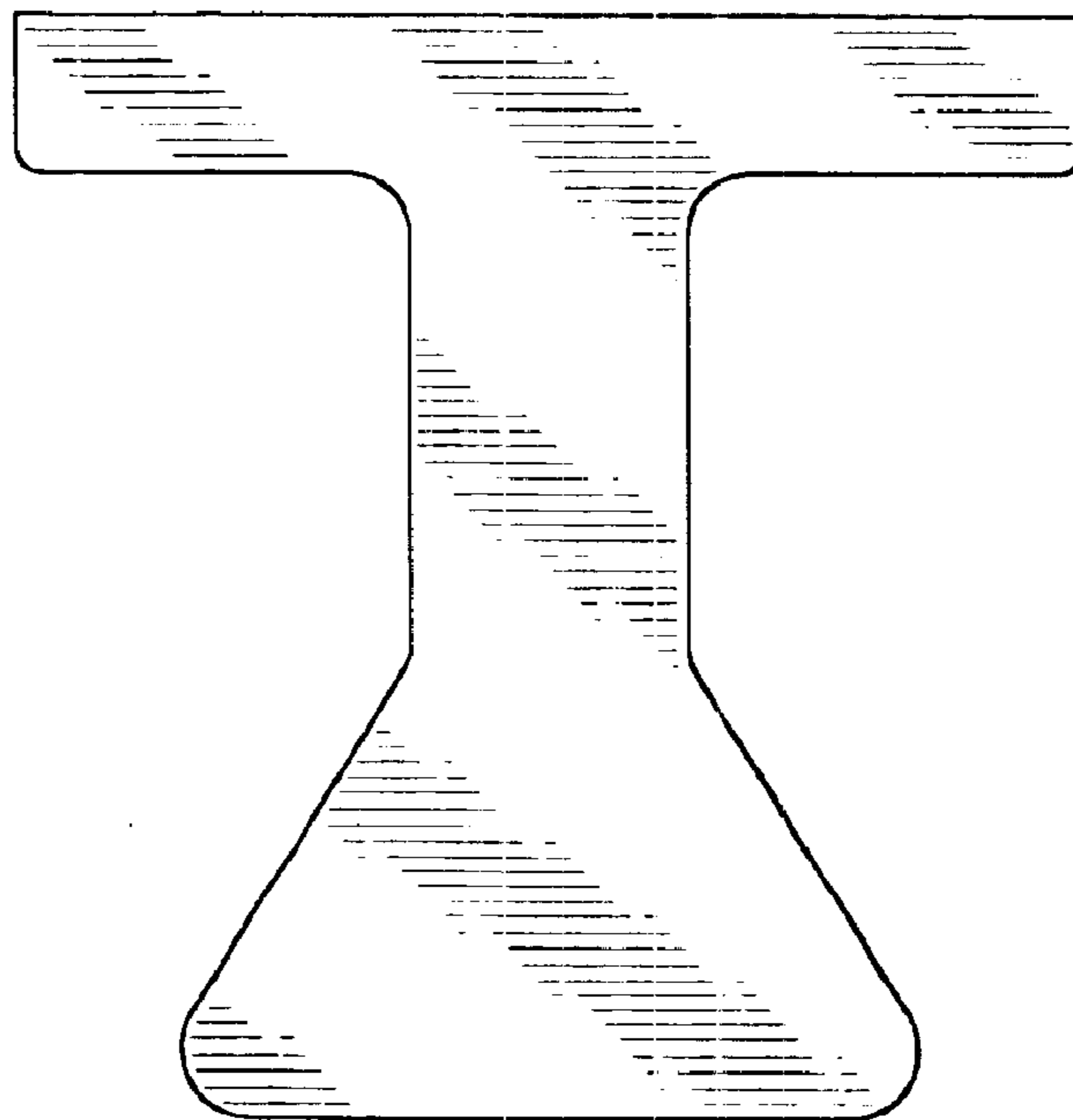
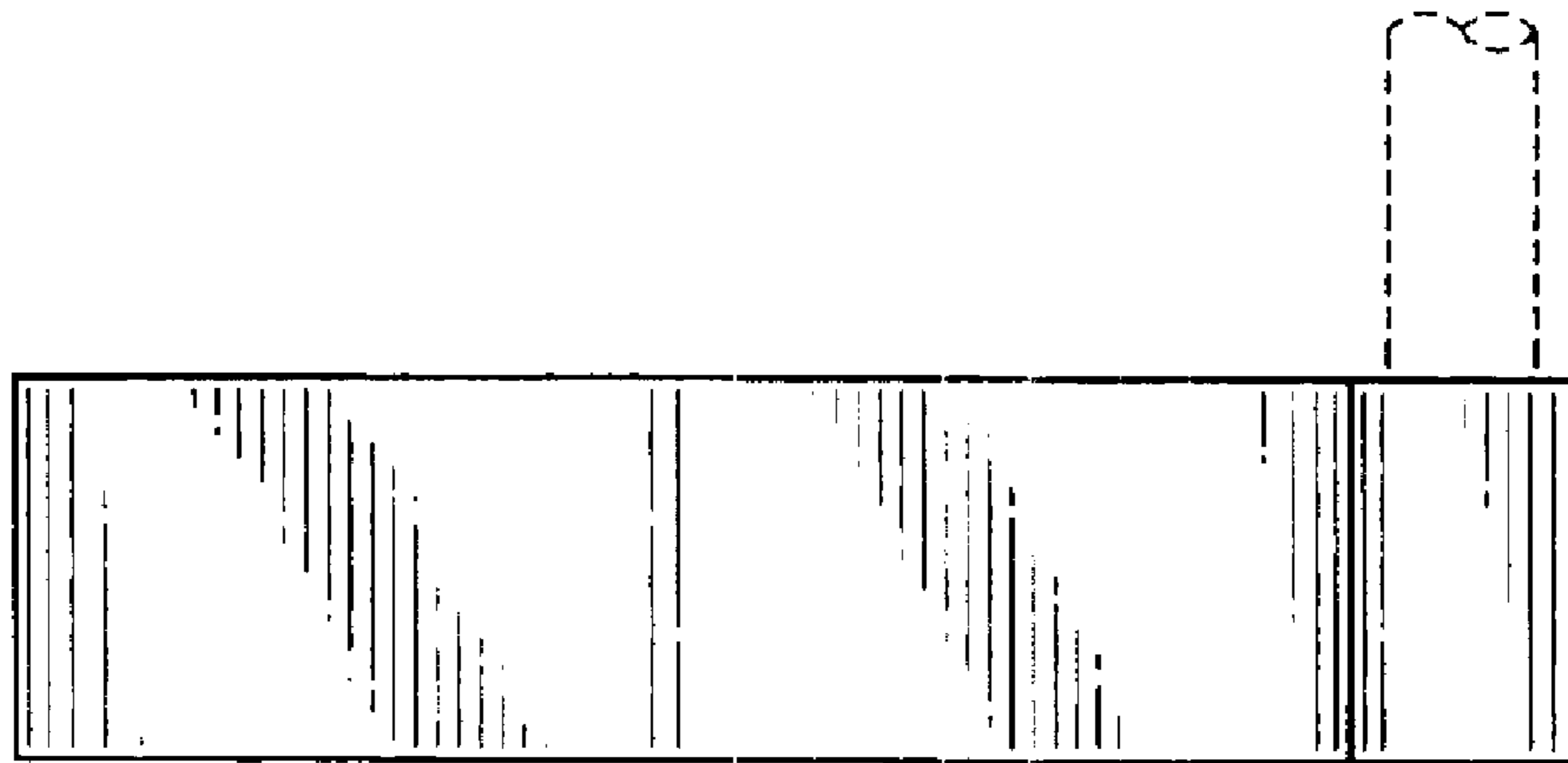
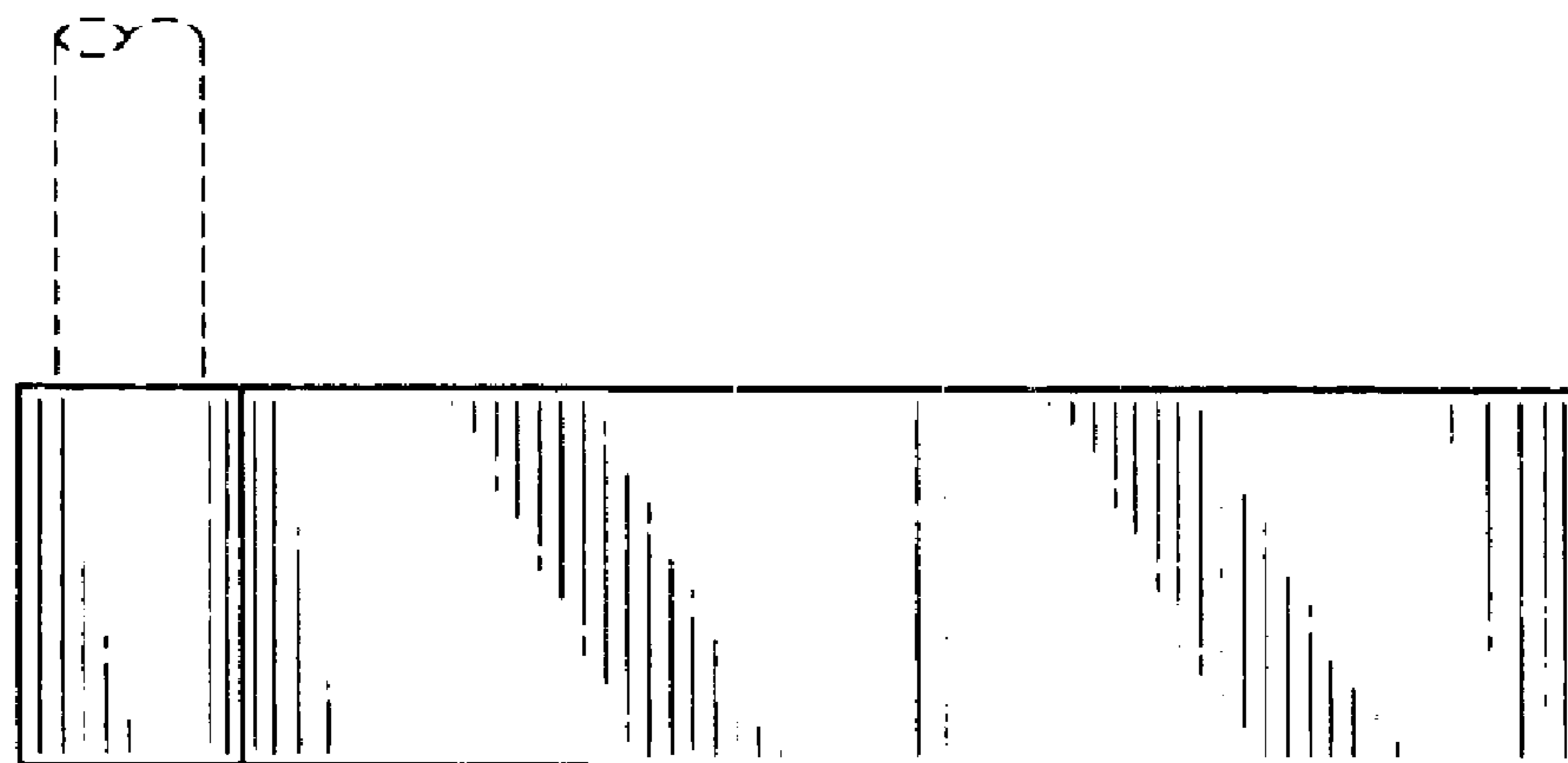


FIG-12



**FIG-13**



**FIG-14**