

US00D502516S

(12) **United States Design Patent**  
**Chen**

(10) **Patent No.:** **US D502,516 S**  
(45) **Date of Patent:** **\*\* Mar. 1, 2005**

(54) **INCLINATION ADJUSTING DEVICE FOR TREADMILL**

(76) Inventor: **Paul Chen**, 7771 Goldstream Dr., Richmond, Vancouver, BC (CA), V7A 1S5

(\*\*) Term: **14 Years**

(21) Appl. No.: **29/194,550**

(22) Filed: **Nov. 24, 2003**

(51) **LOC (7) Cl.** ..... **21-02**

(52) **U.S. Cl.** ..... **D21/694; D21/669; D8/380; D8/371**

(58) **Field of Search** ..... **D21/669, 694; D8/356, 373, 380, 354; D6/570; 482/54, 104**

(56) **References Cited**

**U.S. PATENT DOCUMENTS**

D138,739 S	*	9/1944	Harris	.....	D8/356
D228,737 S	*	10/1973	Mathews	.....	D8/356
D260,831 S	*	9/1981	Hotchkiss	.....	D6/570
D261,960 S	*	11/1981	Mathews	.....	D8/356
5,527,242 A	*	6/1996	Gangloff	.....	482/38
D407,963 S	*	4/1999	Gretz et al.	.....	D8/356

6,013,012 A	*	1/2000	Carman et al.	.....	482/54
6,086,519 A	*	7/2000	Ayton	.....	482/104
6,450,927 B1	*	9/2002	Ellis	.....	482/94
D481,616 S	*	11/2003	Seketa et al.	.....	D8/373

\* cited by examiner

*Primary Examiner*—Philip S. Hyder

(74) *Attorney, Agent, or Firm*—Charles E. Baxley

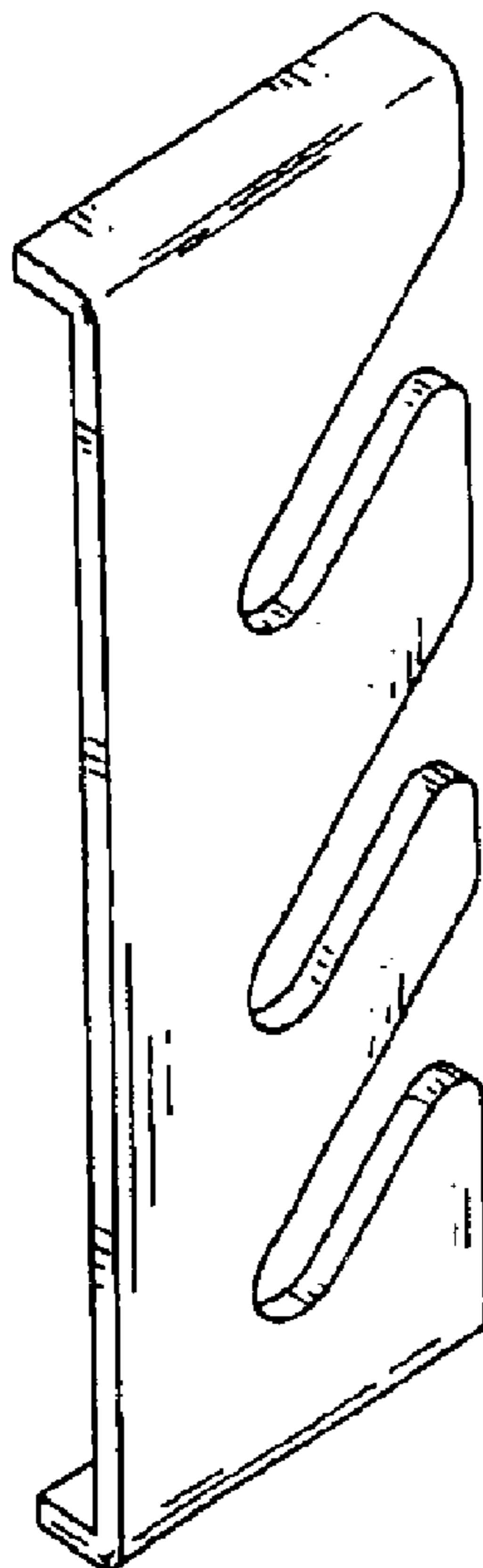
(57) **CLAIM**

The ornamental design for an inclination adjusting device for treadmill, as shown and described.

**DESCRIPTION**

FIG. 1 is a perspective view of an inclination adjusting device for treadmill showing my new design; FIG. 2 is a front elevational view thereof; FIG. 3 is a rear elevational view thereof; FIG. 4 is a top plan view thereof; FIG. 5 is a bottom plan view thereof; FIG. 6 is a left side elevational view thereof; FIG. 7 is a right side elevational view thereof; and, FIG. 8 is a perspective view thereof, the treadmill depicted by means of broken lines being for illustrative purposes only and forming no part of the claimed design.

**1 Claim, 2 Drawing Sheets**



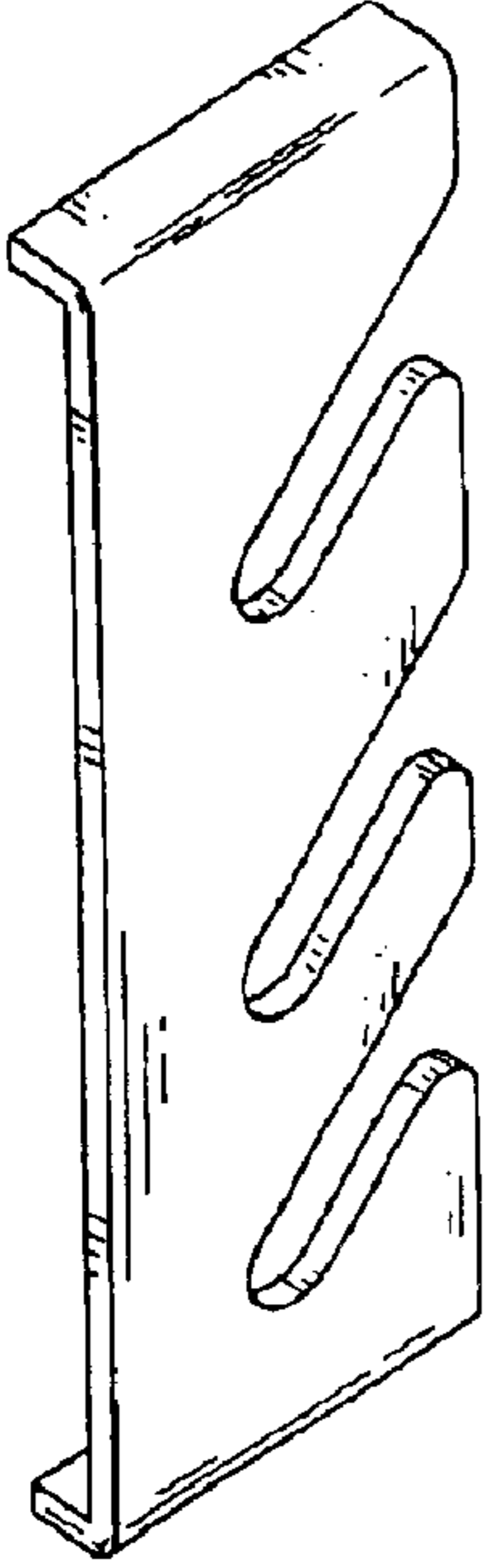


FIG. 1

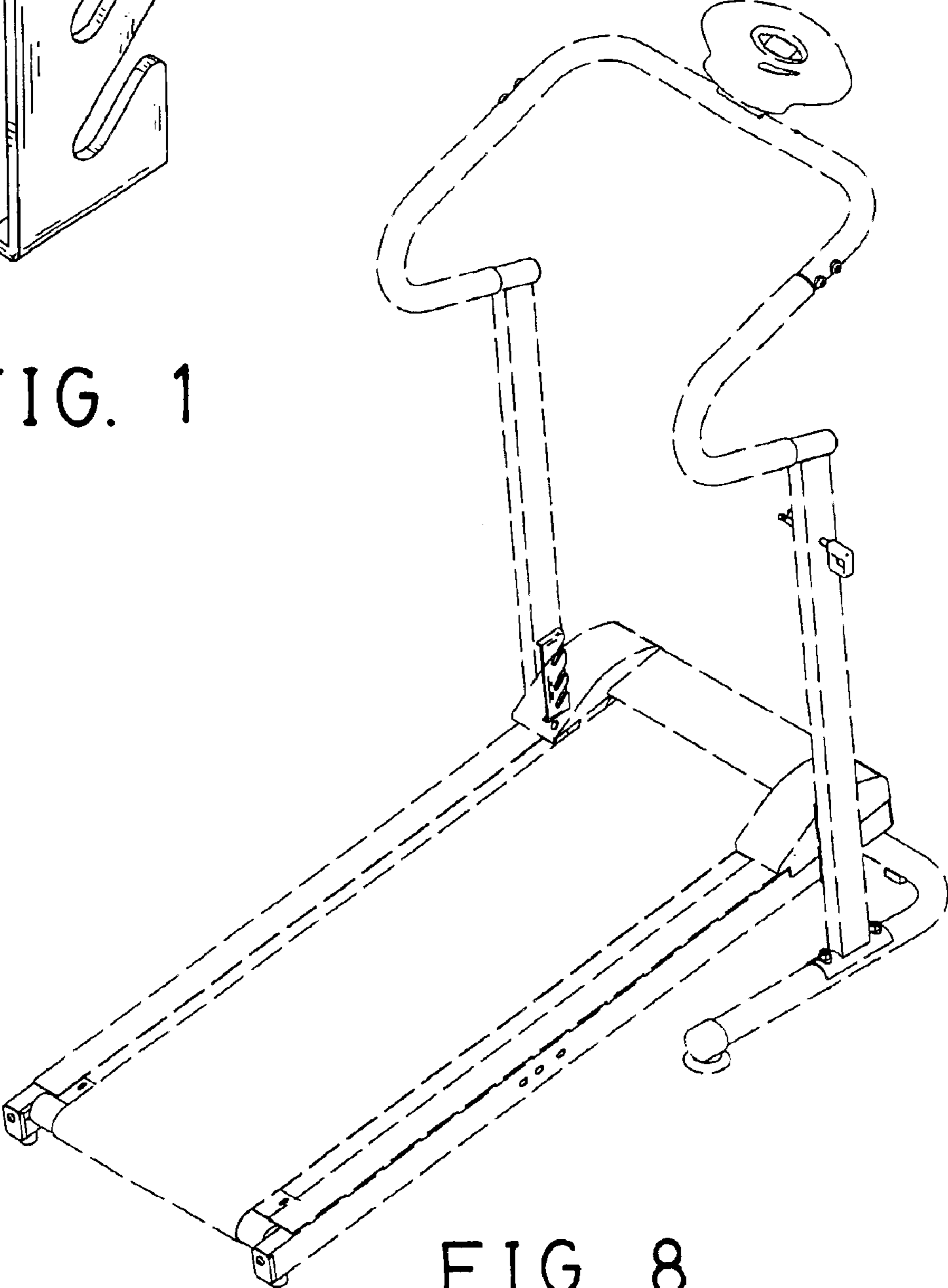


FIG. 8

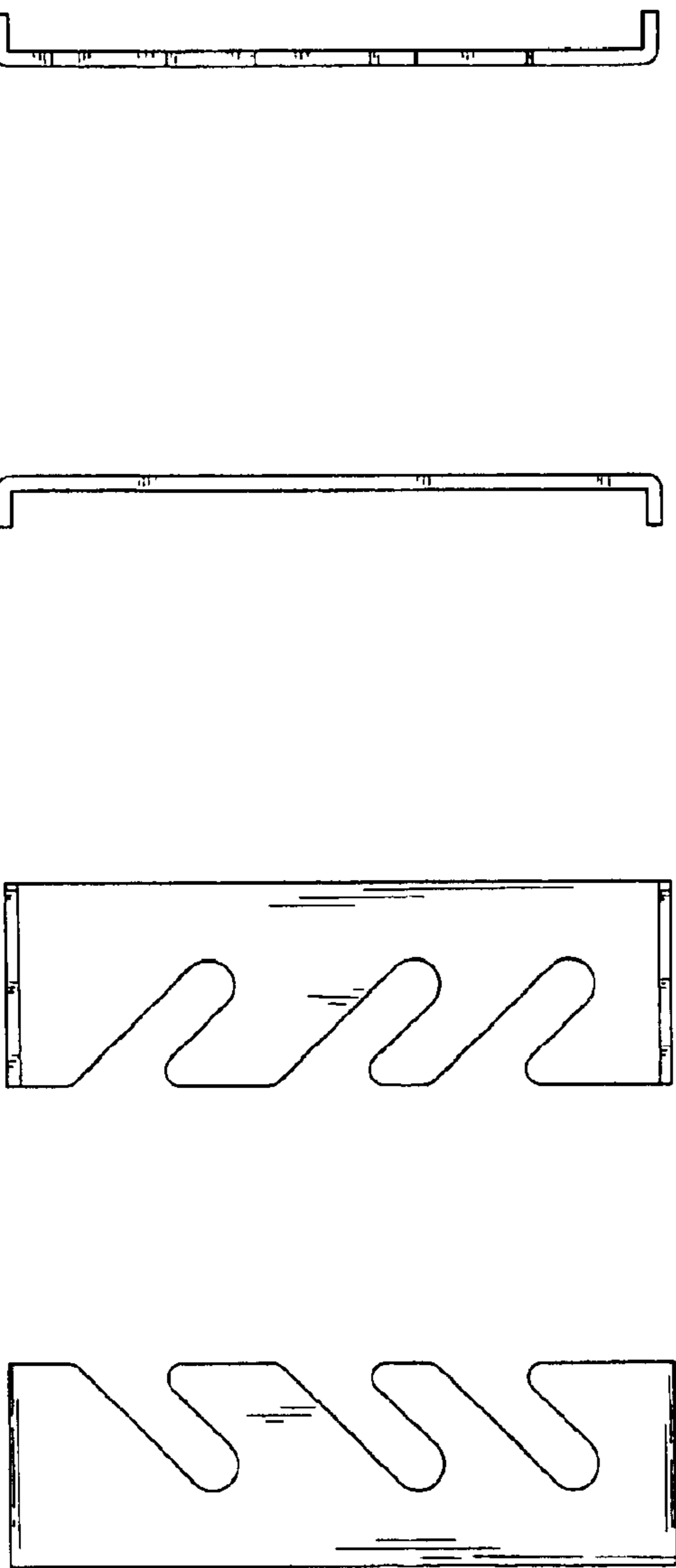


FIG. 2 FIG. 3 FIG. 6 FIG. 7



FIG. 5



FIG. 4