

US00D502515S

(12) **United States Design Patent**  
**Carter**

(10) **Patent No.:** **US D502,515 S**  
(45) **Date of Patent:** **\*\* Mar. 1, 2005**

(54) **EXERCISE DEVICE**

(75) Inventor: **Kenneth E. Carter**, Clermont, CA  
(US)

(73) Assignee: **Task Industries, Inc.**, Pomona, CA  
(US)

(\*\*) Term: **14 Years**

(21) Appl. No.: **29/192,760**

(22) Filed: **Oct. 28, 2003**

(51) **LOC (7) Cl.** ..... **21-02**

(52) **U.S. Cl.** ..... **D21/694; D21/686**

(58) **Field of Search** ..... D21/673, 674,  
D21/675, 676, 694; 482/133, 137, 138,  
135, 136, 94, 97, 98, 99

(56) **References Cited**

**U.S. PATENT DOCUMENTS**

4,549,733 A	10/1985	Salyer	272/118
4,603,855 A	8/1986	Sebelle	272/117
5,018,725 A	5/1991	Cook	272/118
D324,710 S	* 3/1992	Habing	D21/675
5,102,122 A	4/1992	Piane, Jr. et al.	482/133
D347,040 S	* 5/1994	Wang	D21/676
D358,183 S	* 5/1995	Habing et al.	D21/675
D359,326 S	* 6/1995	Deola	D21/675
D370,950 S	* 6/1996	Webber	D21/676
5,665,036 A	* 9/1997	Hsieh	482/100
5,681,247 A	* 10/1997	Webber	482/100
5,795,272 A	8/1998	Brenke	482/103
5,830,116 A	11/1998	Gautier	482/45

6,165,110 A	12/2000	Gajda	481/102
6,217,493 B1	4/2001	Spletzer	482/103
D444,190 S	* 6/2001	Webber	D21/675
6,443,877 B1	9/2002	Hoecht et al.	482/93
6,447,430 B1	9/2002	Webb et al.	482/93
6,565,490 B2	5/2003	O'Hearn	482/102
6,599,223 B2	* 7/2003	Wang et al.	482/138
2003/0017918 A1	1/2003	Webb et al.	482/94

**FOREIGN PATENT DOCUMENTS**

WO WO 97/41927 11/1997 ..... A63B/21/06

\* cited by examiner

*Primary Examiner*—Philip S. Hyder

(74) *Attorney, Agent, or Firm*—Cislo & Thomas LLP

(57) **CLAIM**

The ornamental design for an exercise device, as shown and described herein.

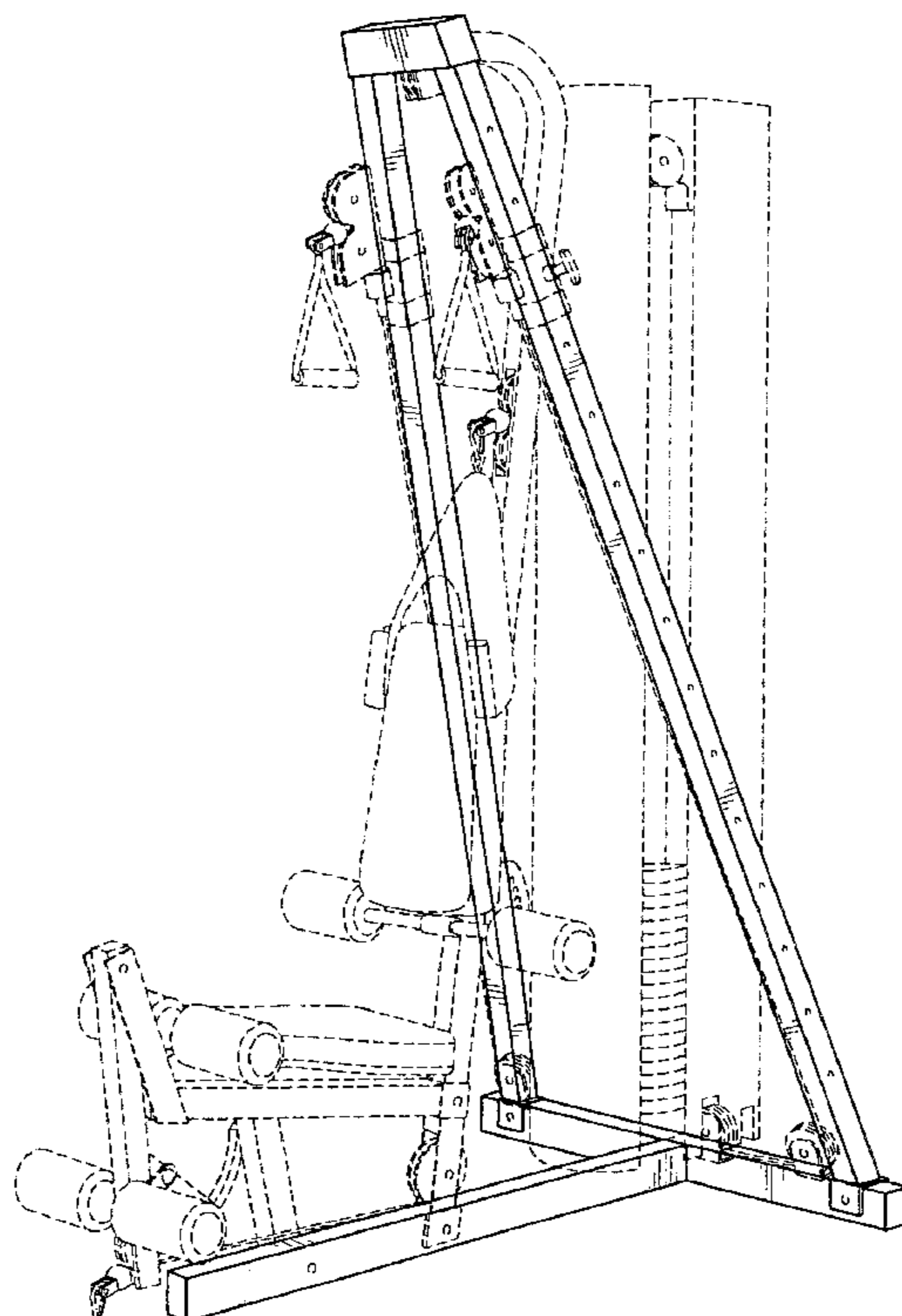
**DESCRIPTION**

FIG. 1. Is a front perspective view of my exercise device with the dotted lines showing being for illustrative purposes only and to which no claim is made;

FIG. 2. Is a right side elevational view thereof with the left side elevational view being a mirror image thereof and with the dotted lines showing being for illustrative purposes only and to which no claim is made; and,

FIG. 3. Is a front view thereof with the dotted lines showing being for illustrative purposes only and to which no claim is made.

**1 Claim, 3 Drawing Sheets**



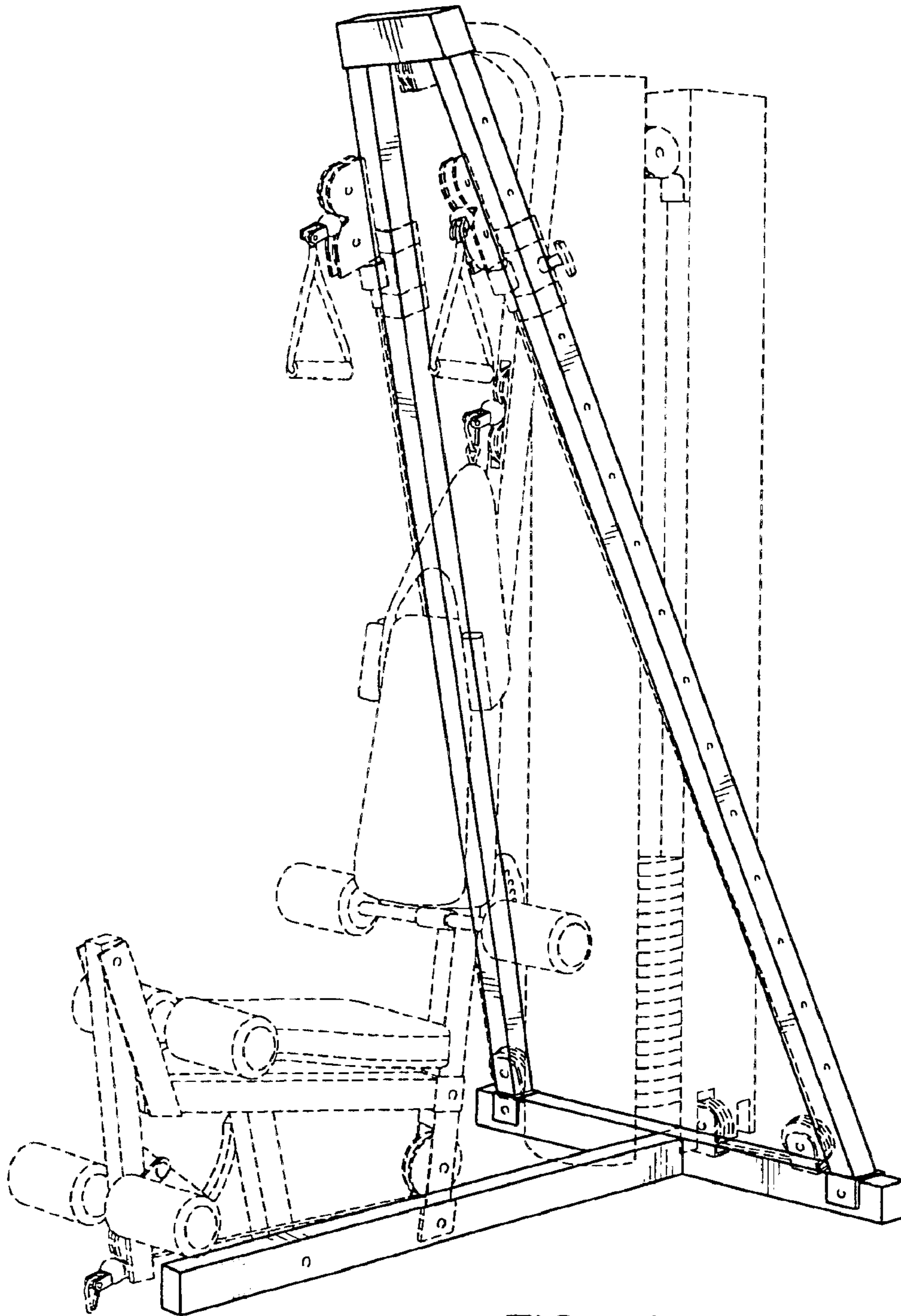
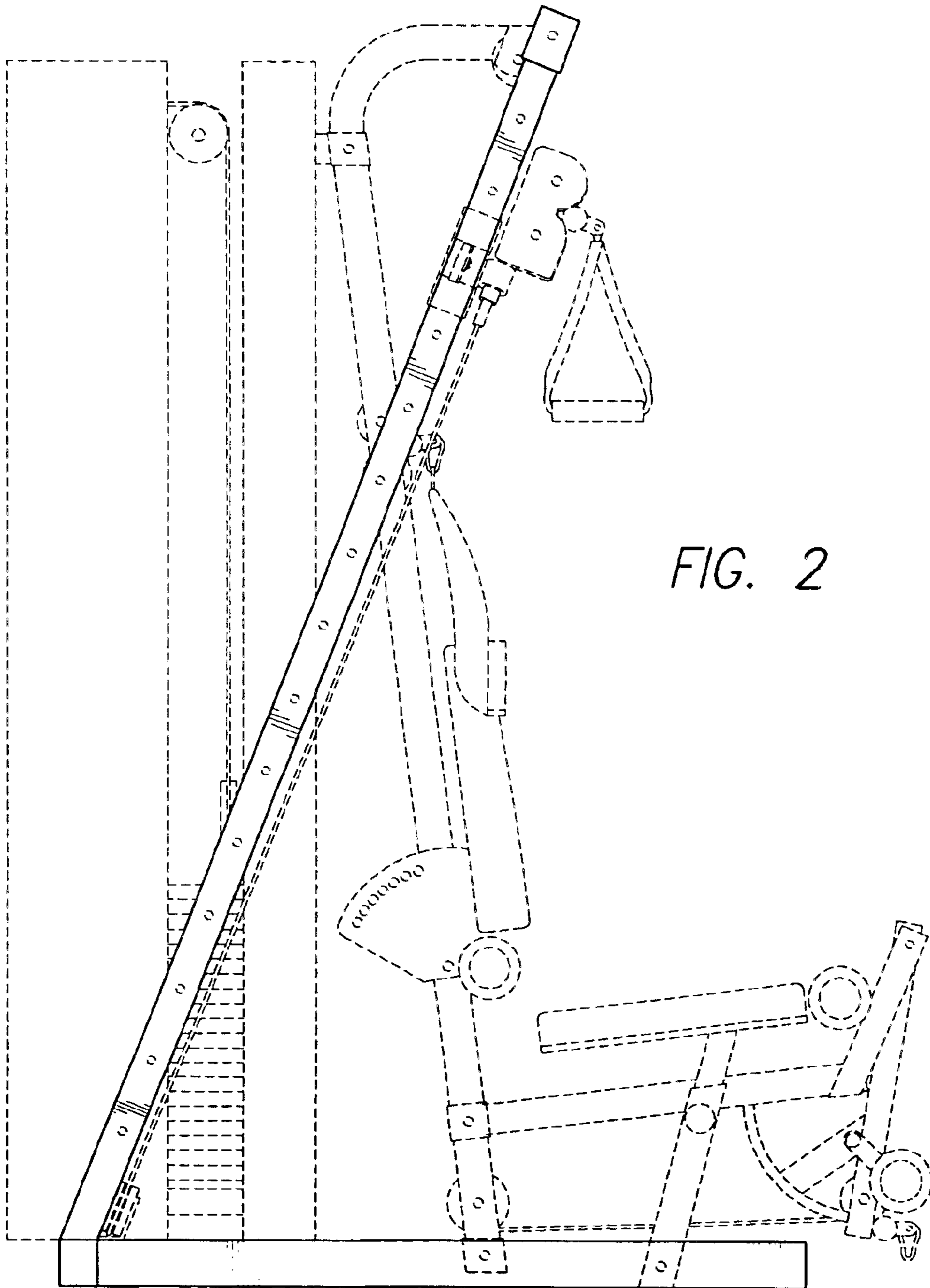


FIG. 1



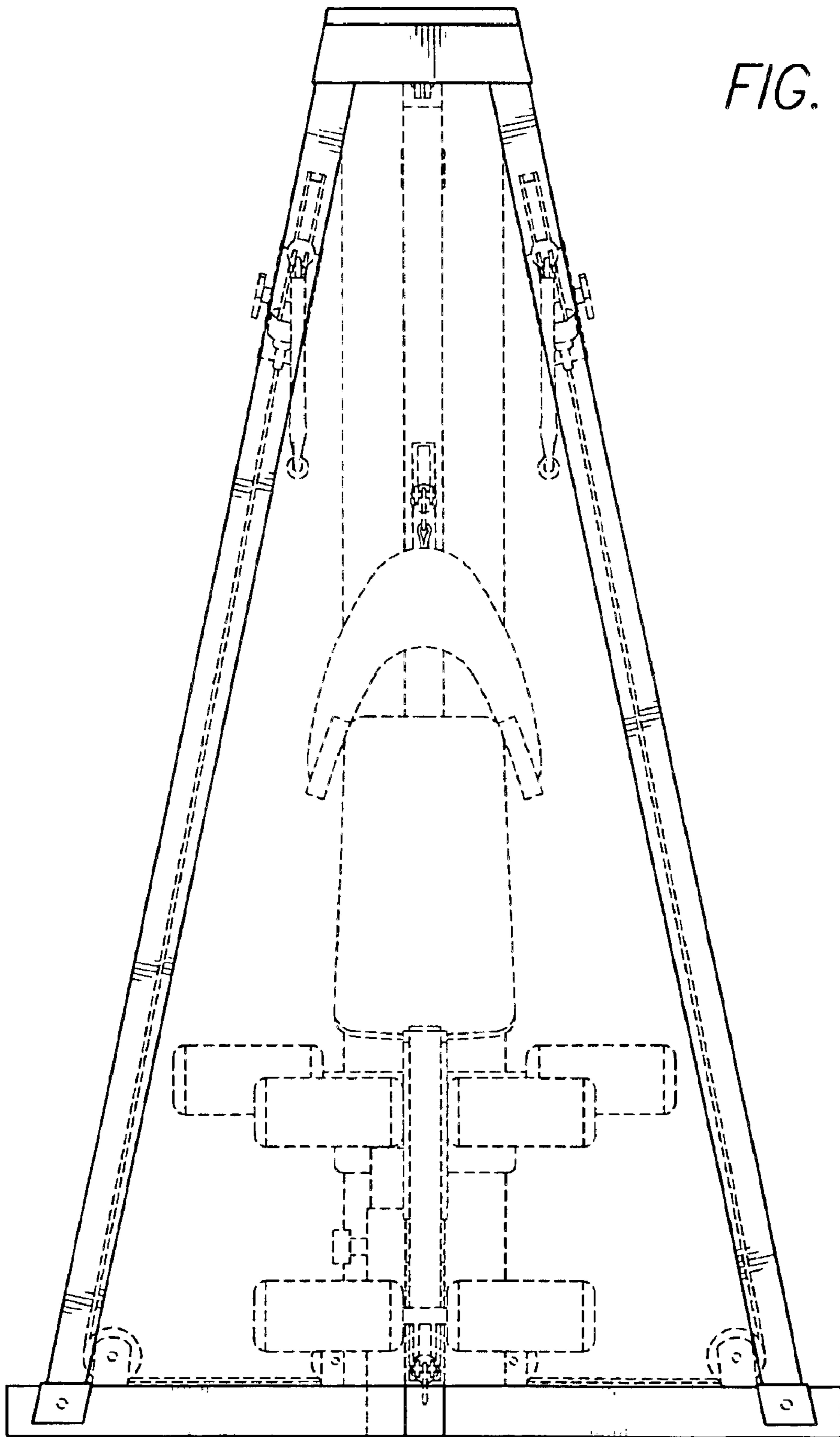


FIG. 3