



US00D502513S

(12) **United States Design Patent**
Nagata

(10) **Patent No.:** **US D502,513 S**
(45) **Date of Patent:** **** Mar. 1, 2005**

(54) **HANGING TOY**

(76) **Inventor:** **Yoshio Nagata**, c/o Daiei Shoji Co.,
Ltd., 208-5 Kawayanagi-cho 4-chome,
Koshigaya-shi Saitama 343-0827 (JP)

(**) **Term:** **14 Years**

(21) **Appl. No.:** **29/208,004**

(22) **Filed:** **Jun. 22, 2004**

(30) **Foreign Application Priority Data**

Dec. 24, 2003 (JP) 2003-037889

(51) **LOC (7) Cl.** **21-01**

(52) **U.S. Cl.** **D21/465; D21/398; D21/408;**
D21/440

(58) **Field of Search** D21/398-406,
D21/408, 438, 439, 440, 455, 456, 463,
465, 466, 467; D11/1, 2, 14, 44, 48, 53,
54, 81, 83, 117, 121, 125, 128, 141, 157,
158, 160; D3/211, 271; D30/160; D7/307,
319; D23/367, 368; 446/5, 73, 76, 81, 220-228,
234-236, 247, 251, 261-263, 419, 421,
474; 428/7-16, 28

(56) **References Cited**

U.S. PATENT DOCUMENTS

- 1,528,463 A * 3/1925 Yungk 116/148
- 1,589,075 A * 6/1926 Hasenstein 446/192
- D109,006 S * 3/1938 Brown et al. D32/59
- 2,666,276 A * 1/1954 Huff 446/235
- 2,736,132 A * 2/1956 Murray 446/234
- D240,844 S * 8/1976 Sutton D21/405
- 4,291,487 A * 9/1981 Magid 446/186
- 4,310,927 A * 1/1982 DeBose 2/115

- D288,677 S * 3/1987 Nienhuis D11/133
- D356,053 S * 3/1995 Engelke D11/121
- D390,158 S * 2/1998 Bloomquist D11/125
- D427,937 S * 7/2000 Viele et al. D11/125
- 6,447,362 B2 * 9/2002 Khamphilavong et al. .. 446/227

* cited by examiner

Primary Examiner—Stella Reid

Assistant Examiner—C. Tuttle

(74) *Attorney, Agent, or Firm*—Irving M. Weiner; Pamela
S. Burt; Weiner & Burt, P.C.

(57) **CLAIM**

The ornamental design for a hanging toy, as shown and
described.

DESCRIPTION

The hanging toy includes an inflated spherical envelope
wrapped with a quasi-clothes like sweat shirt. The envelope
has a string connected at the top thereof for being hung,
which string is provided as its free end with a ring.

FIG. 1 is a front elevational view of a hanging toy showing
my new design;

FIG. 2 is a rear elevational view thereof;

FIG. 3 is a left side elevational view thereof;

FIG. 4 is a right side elevational view thereof;

FIG. 5 is a top plan view thereof;

FIG. 6 is a bottom plan view thereof;

FIG. 7 is a sectional view thereof taken along line 7—7 of
FIG. 3; and,

FIG. 8 is a perspective view thereof.

The internal features shown in broken lines in FIG. 7 are for
illustrative purposes only; and form no part of the claimed
design.

1 Claim, 4 Drawing Sheets

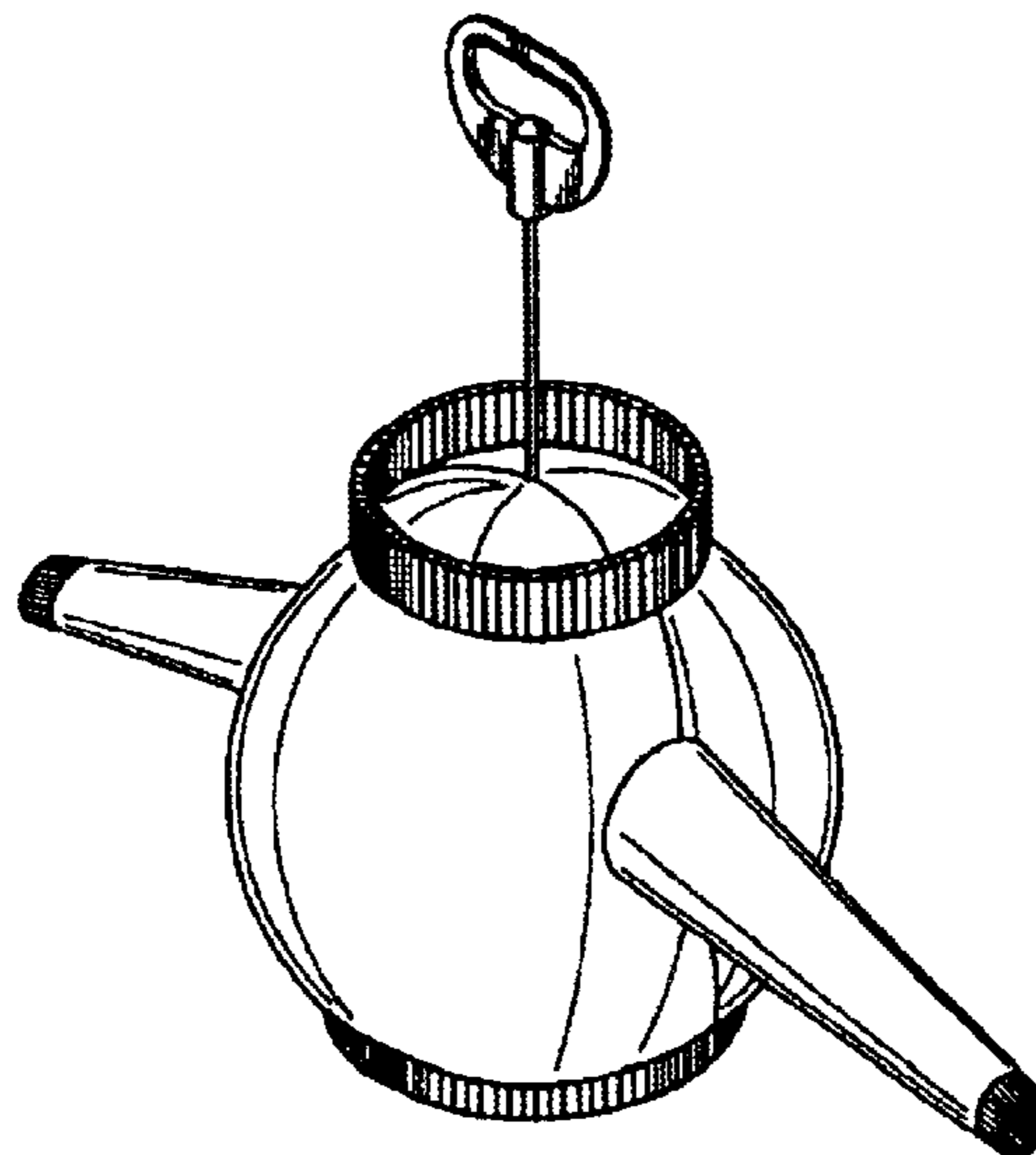


FIG. 1

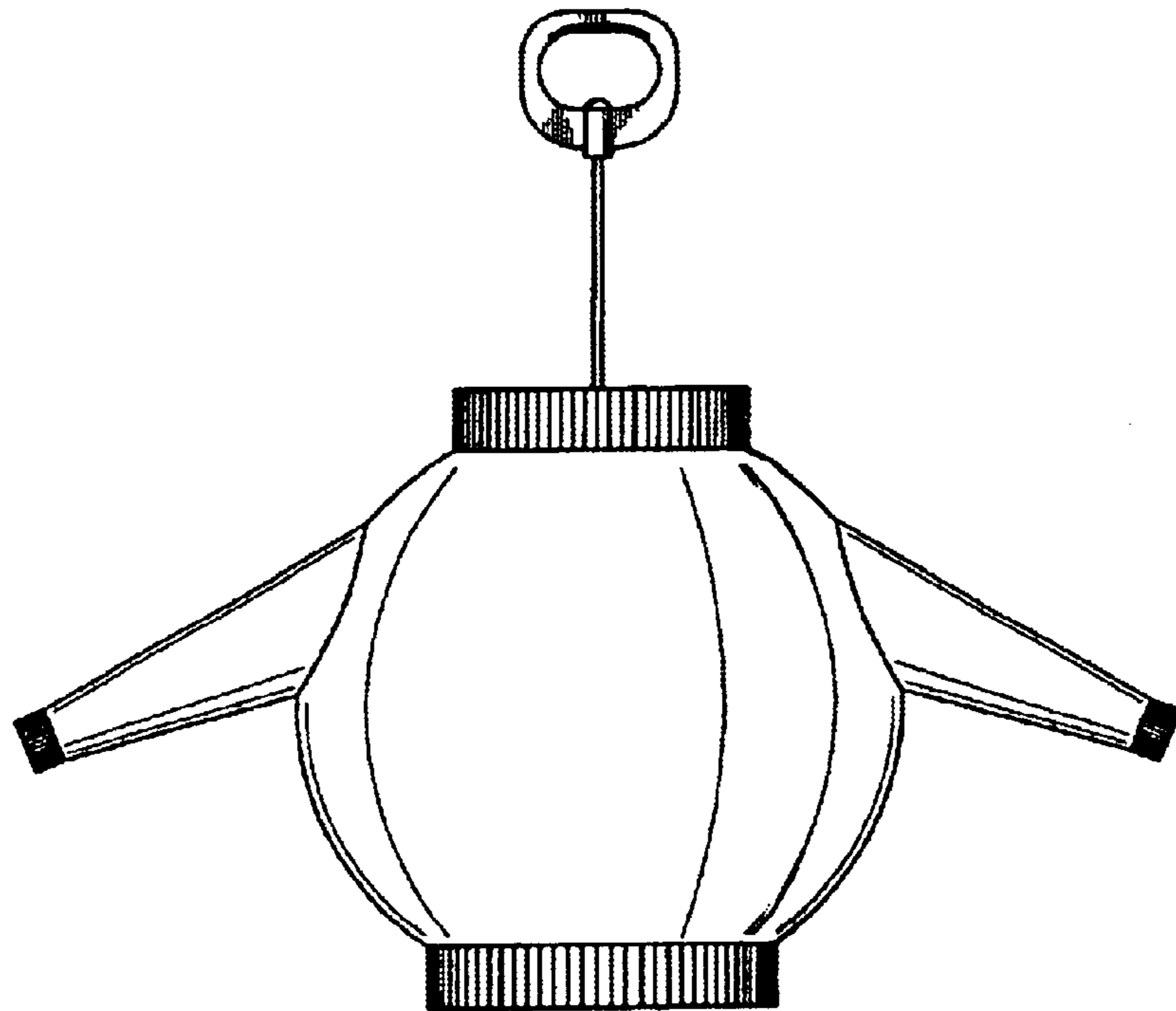


FIG. 2

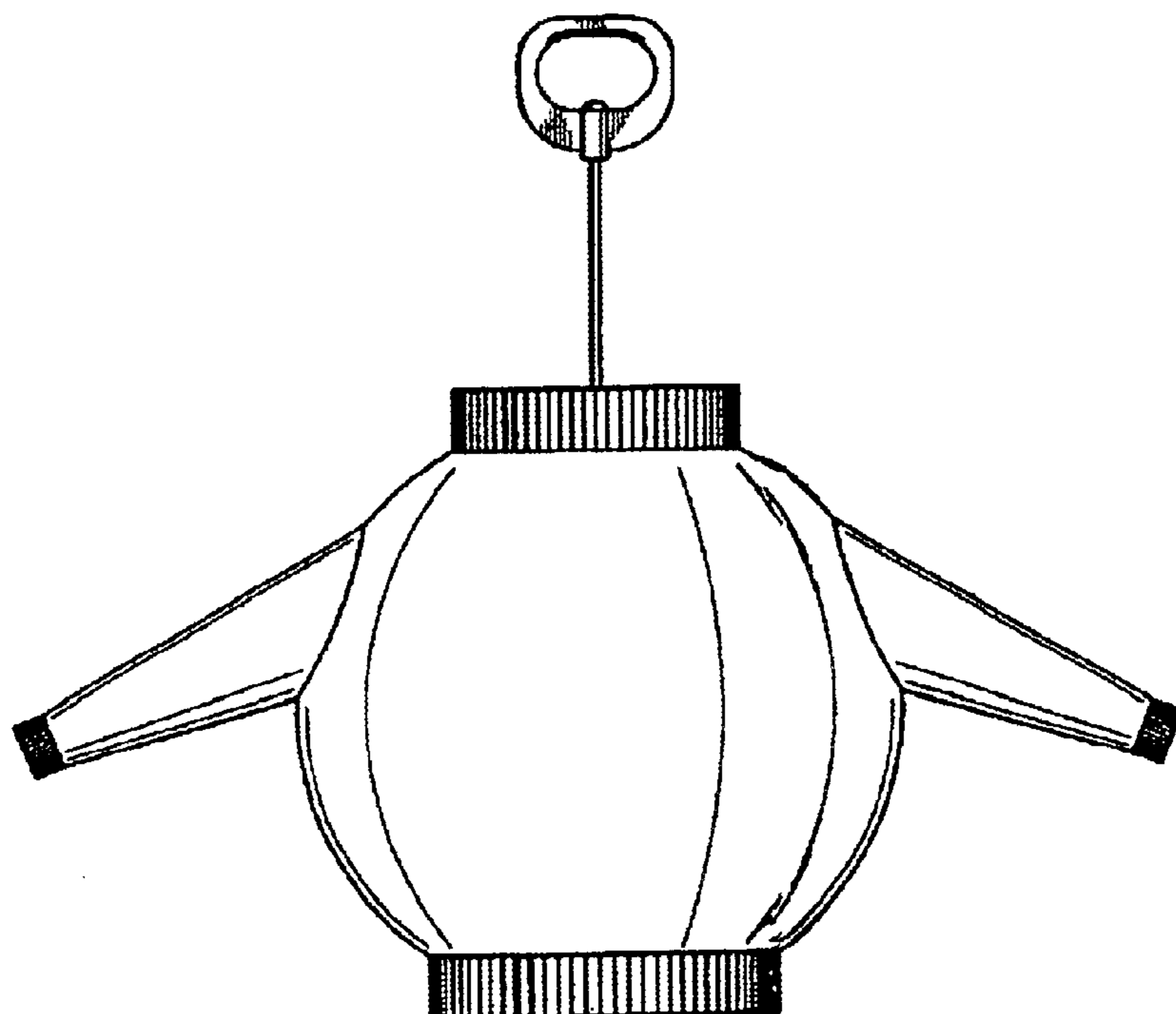


FIG. 3

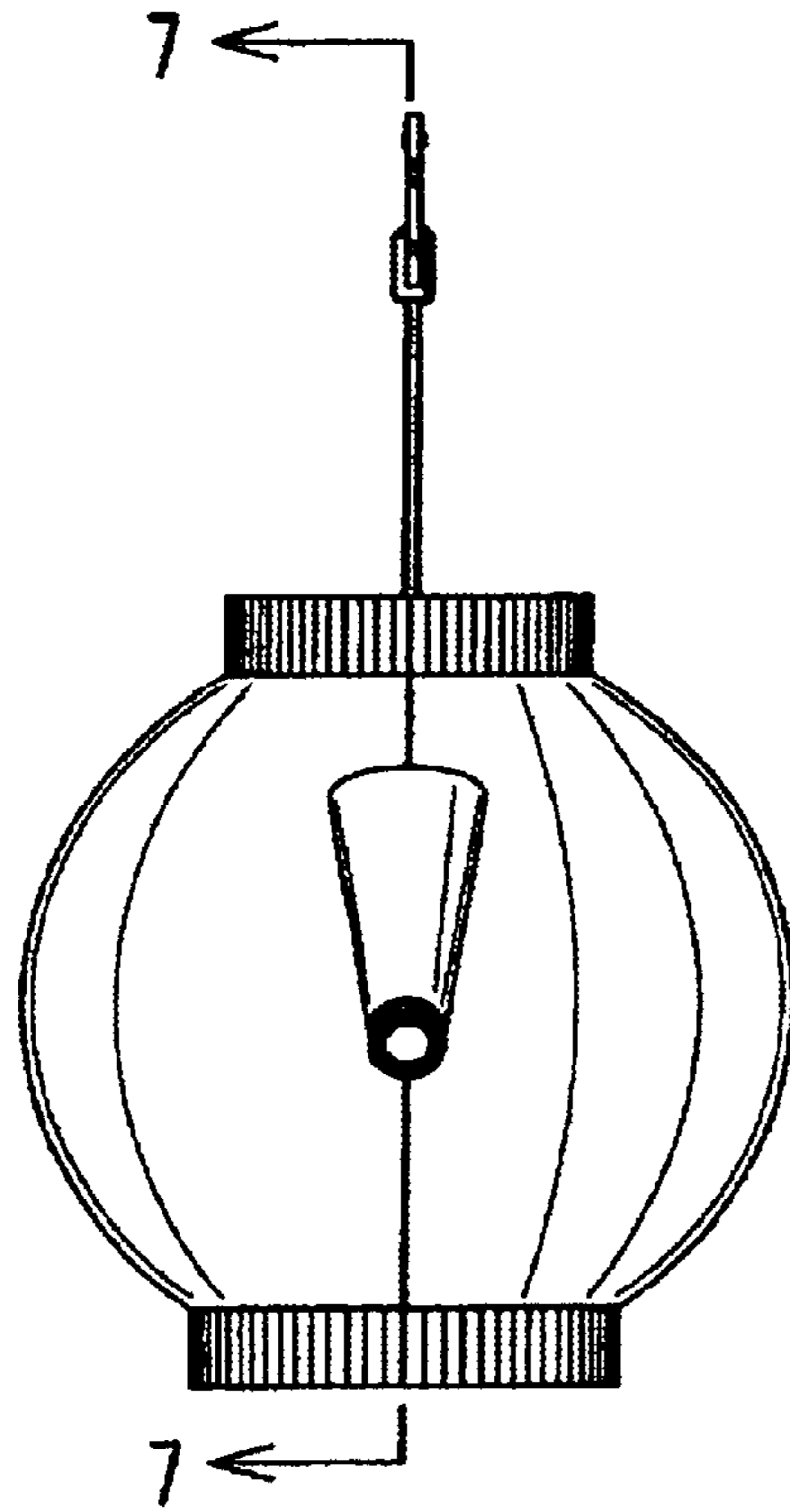


FIG. 4

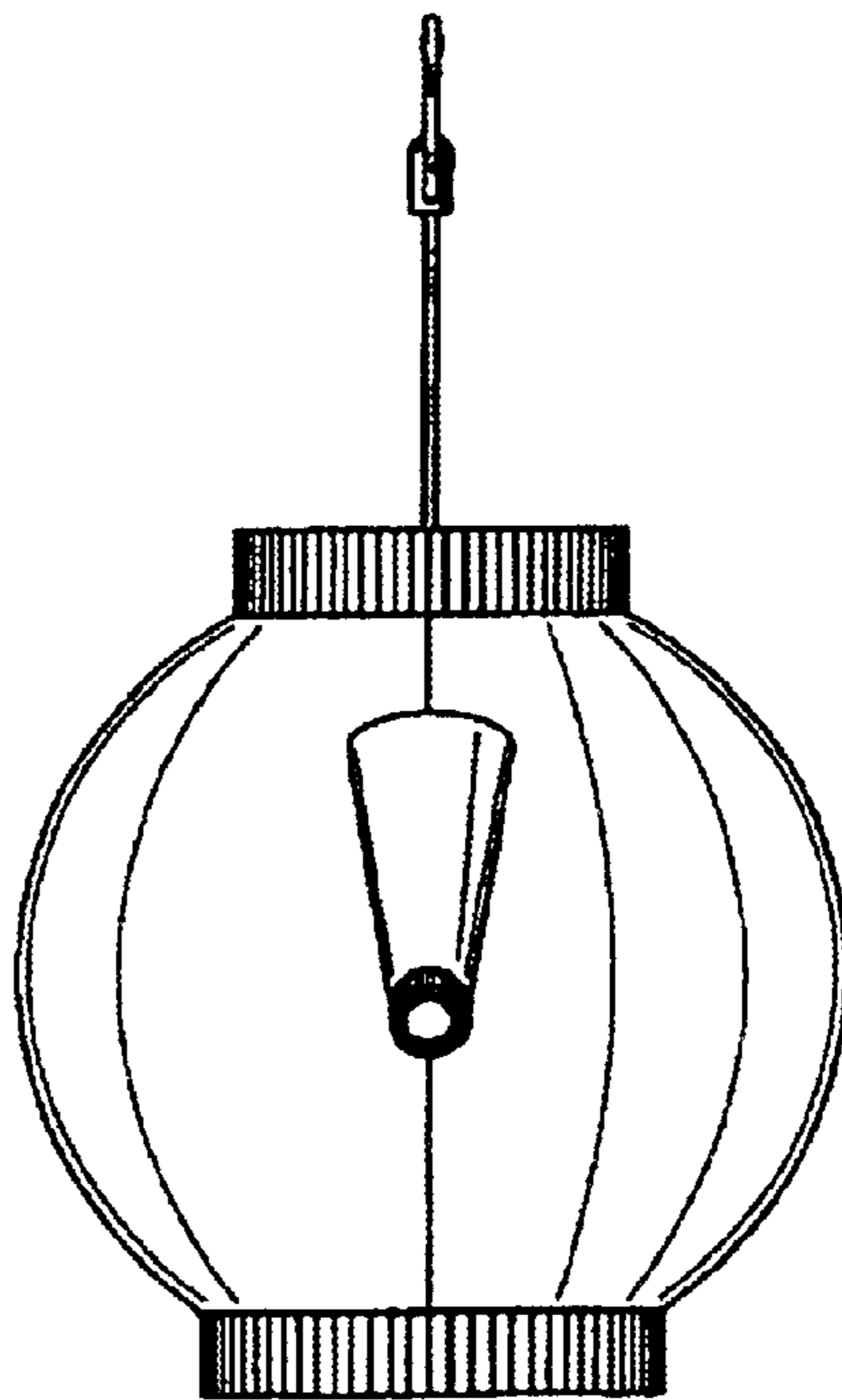


FIG. 5

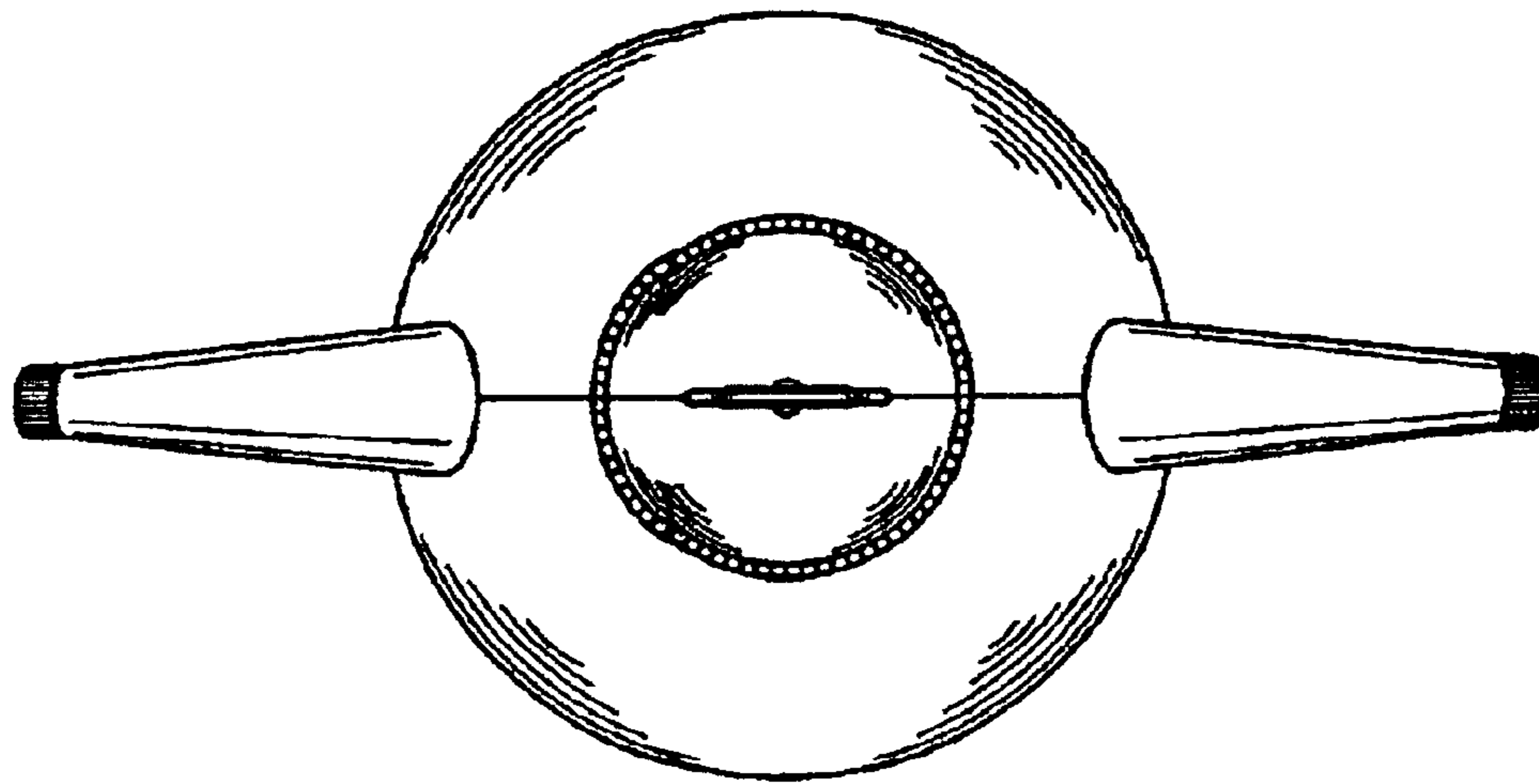


FIG. 6

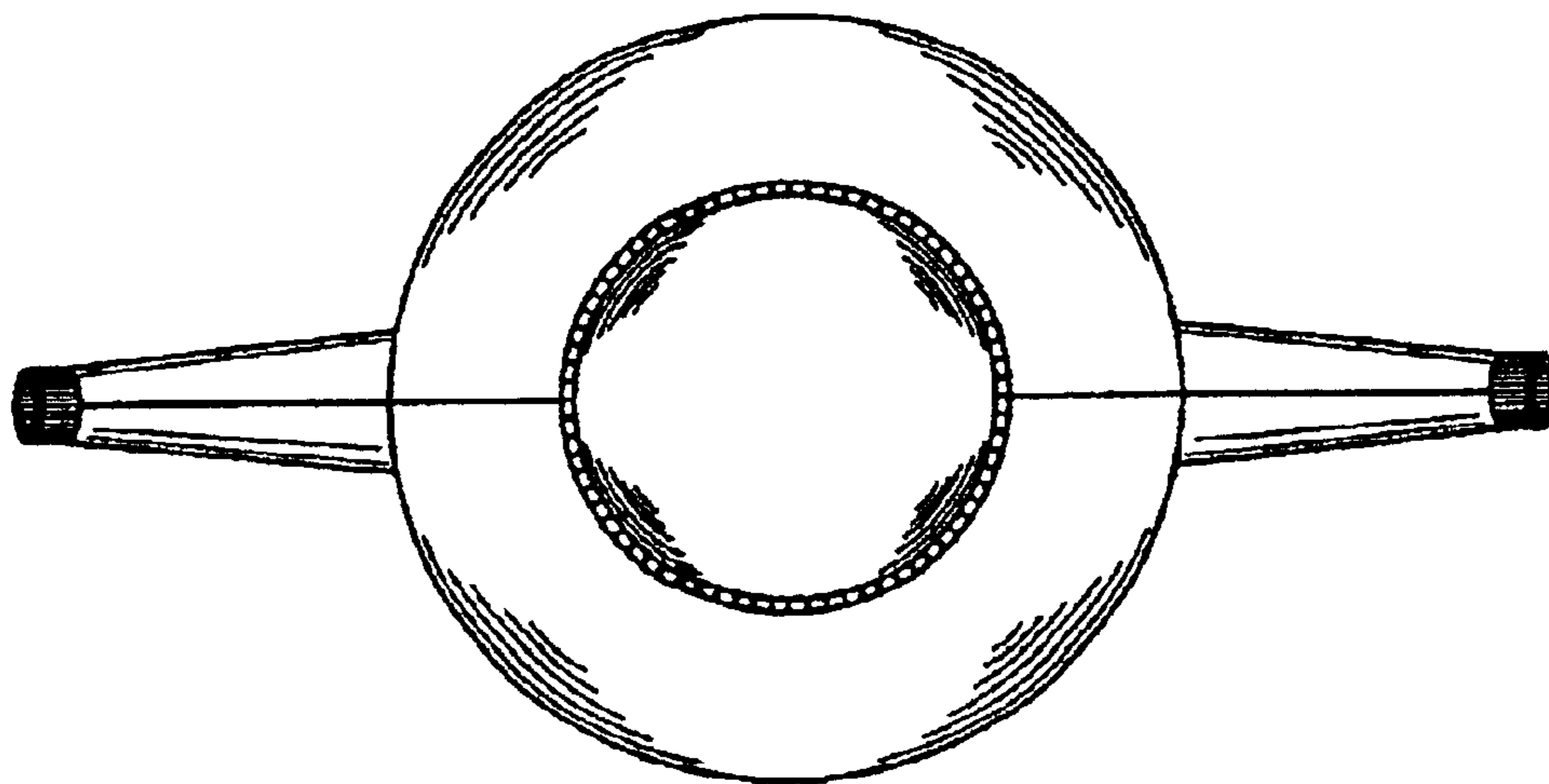


FIG. 7

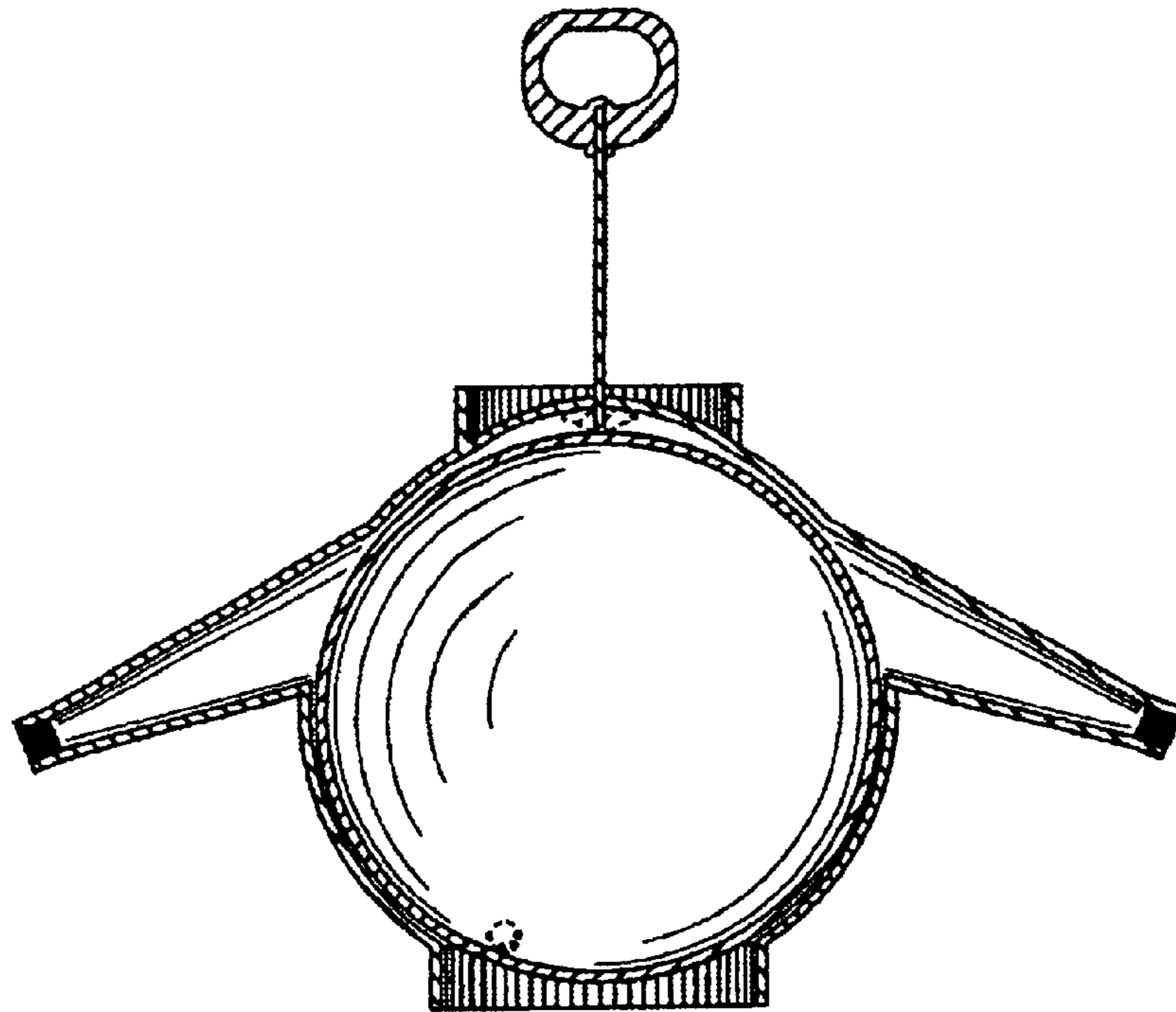


FIG. 8

