



US00D502511S

(12) **United States Design Patent**
Murooka et al.

(10) **Patent No.: US D502,511 S**
(45) **Date of Patent: ** Mar. 1, 2005**

(54) **VENDING MACHINE**

(75) Inventors: **Hisanori Murooka**, Tokyo (JP);
Yasuyuki Nakanishi, Tokyo (JP)

(73) Assignee: **Kabushiki Kaisha Bandai**, Taito-ku
(JP)

(**) Term: **14 Years**

(21) Appl. No.: **29/190,084**

(22) Filed: **Sep. 16, 2003**

(30) **Foreign Application Priority Data**

Mar. 26, 2003 (JP) 2003-008141

(51) **LOC (7) Cl.** **20-01**

(52) **U.S. Cl.** **D20/7**

(58) **Field of Search** D20/1-9; 194/239,
194/320, 342, 350; 221/92, 128, 155, 191,
194, 284; 463/17; D6/515; D19/67

(56) **References Cited**

U.S. PATENT DOCUMENTS

3,810,535 A * 5/1974 Phipps 194/296
3,937,314 A * 2/1976 Rosenberg et al. 194/255
D432,580 S * 10/2000 Schwarzli D20/7
D434,077 S * 11/2000 Schwarzli D20/7

* cited by examiner

Primary Examiner—Robert M. Spear
(74) *Attorney, Agent, or Firm*—Smith Patent Office

(57) **CLAIM**

I claim the ornamental design for a vending machine, as shown and described.

DESCRIPTION

FIG. 1 is a top perspective view of a vending machine showing my new design;

FIG. 2 is a plan view of the vending machine according to the embodiment of FIG. 1;

FIG. 3 is a left view of the vending machine according to the embodiment of FIG. 1;

FIG. 4 is a front elevational view of the vending machine according to the embodiment of FIG. 1;

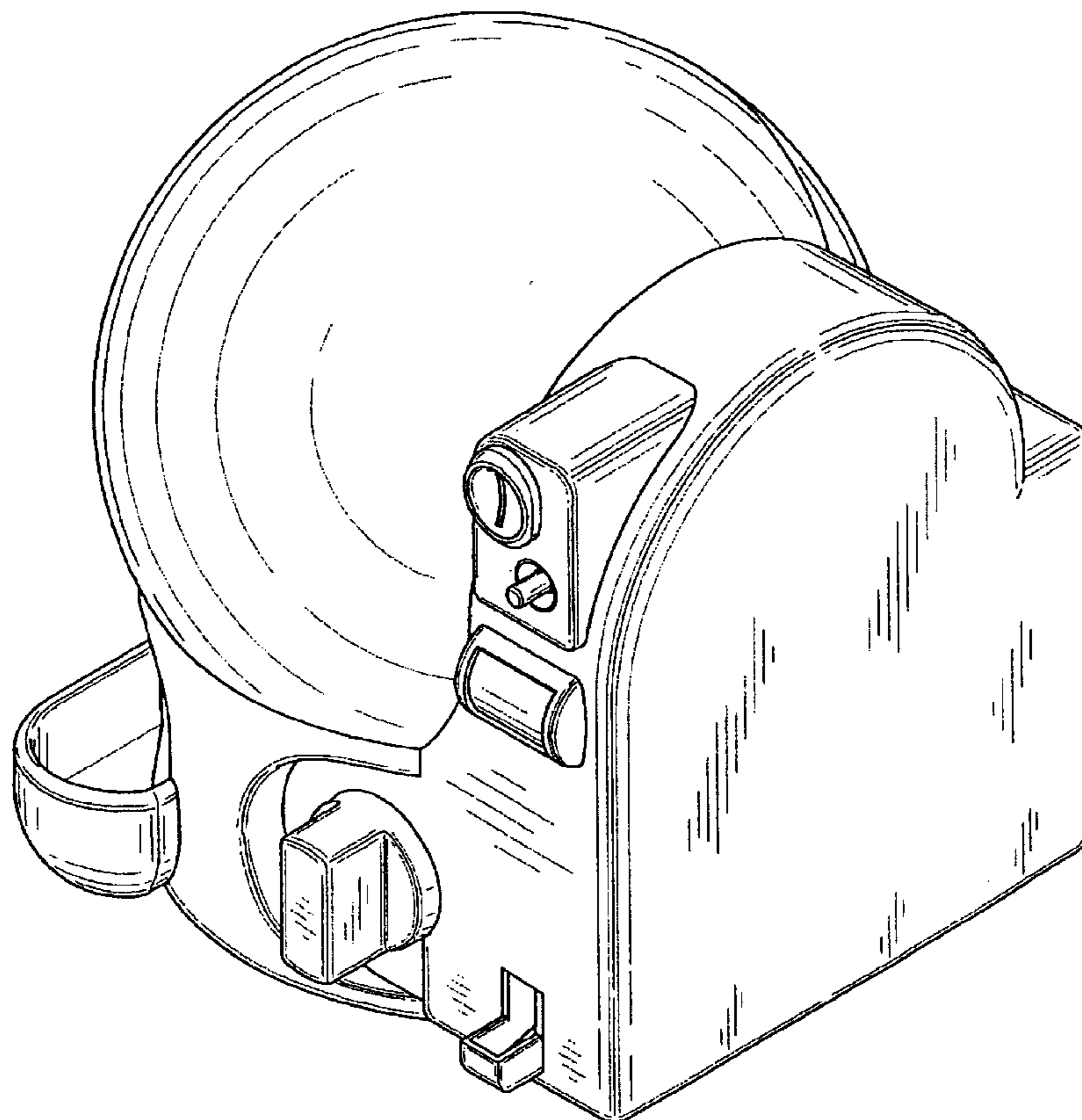
FIG. 5 is a right view of the vending machine according to the embodiment of FIG. 1;

FIG. 6 is a bottom plan view of the vending machine according to the embodiment of FIG. 1; and,

FIG. 7 is a rear view of the vending machine according to the embodiment of FIG. 1.

The broken lines in the drawings represent environmental structure only and form no part of the claimed design.

1 Claim, 7 Drawing Sheets



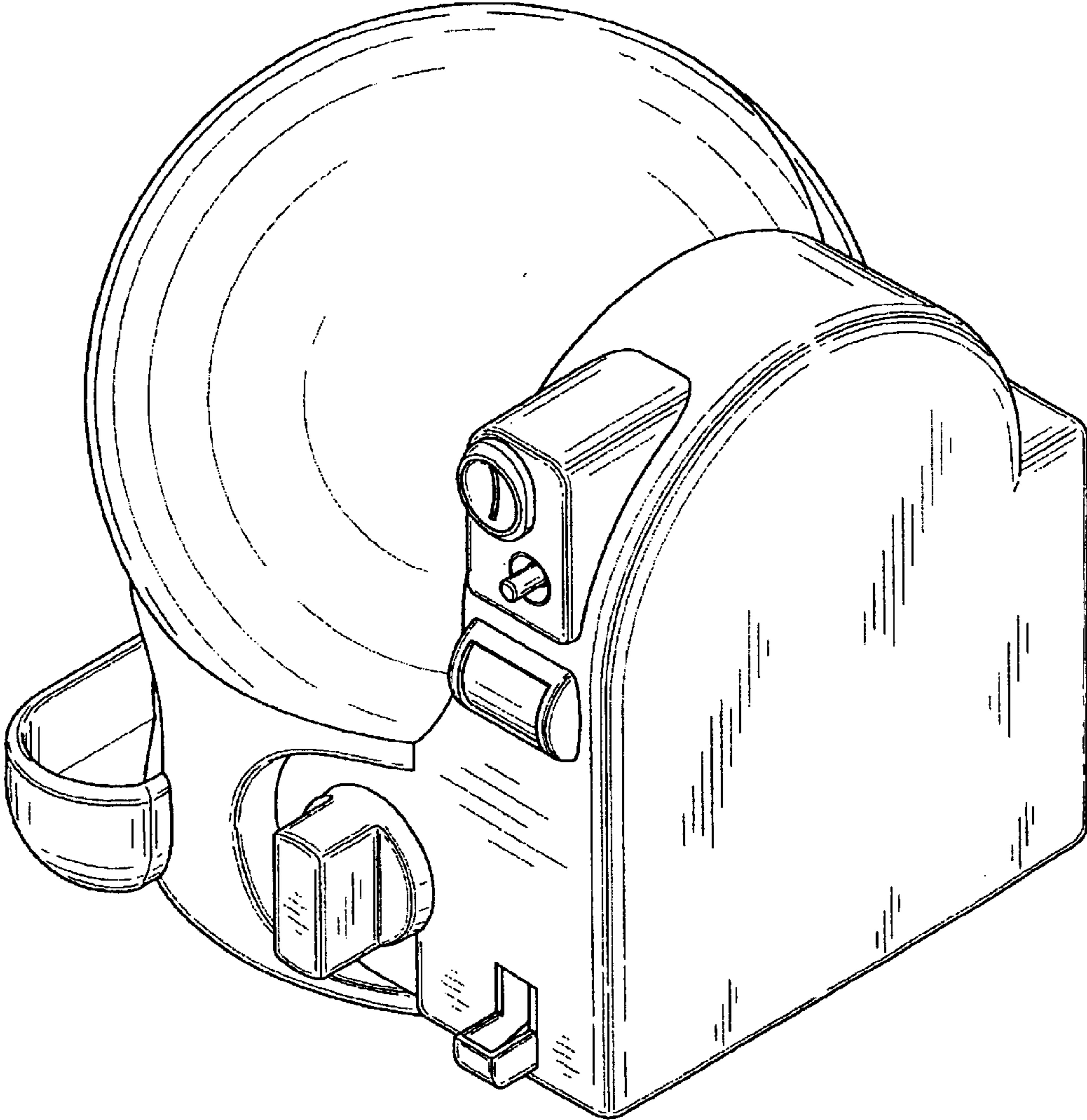


FIG. 1

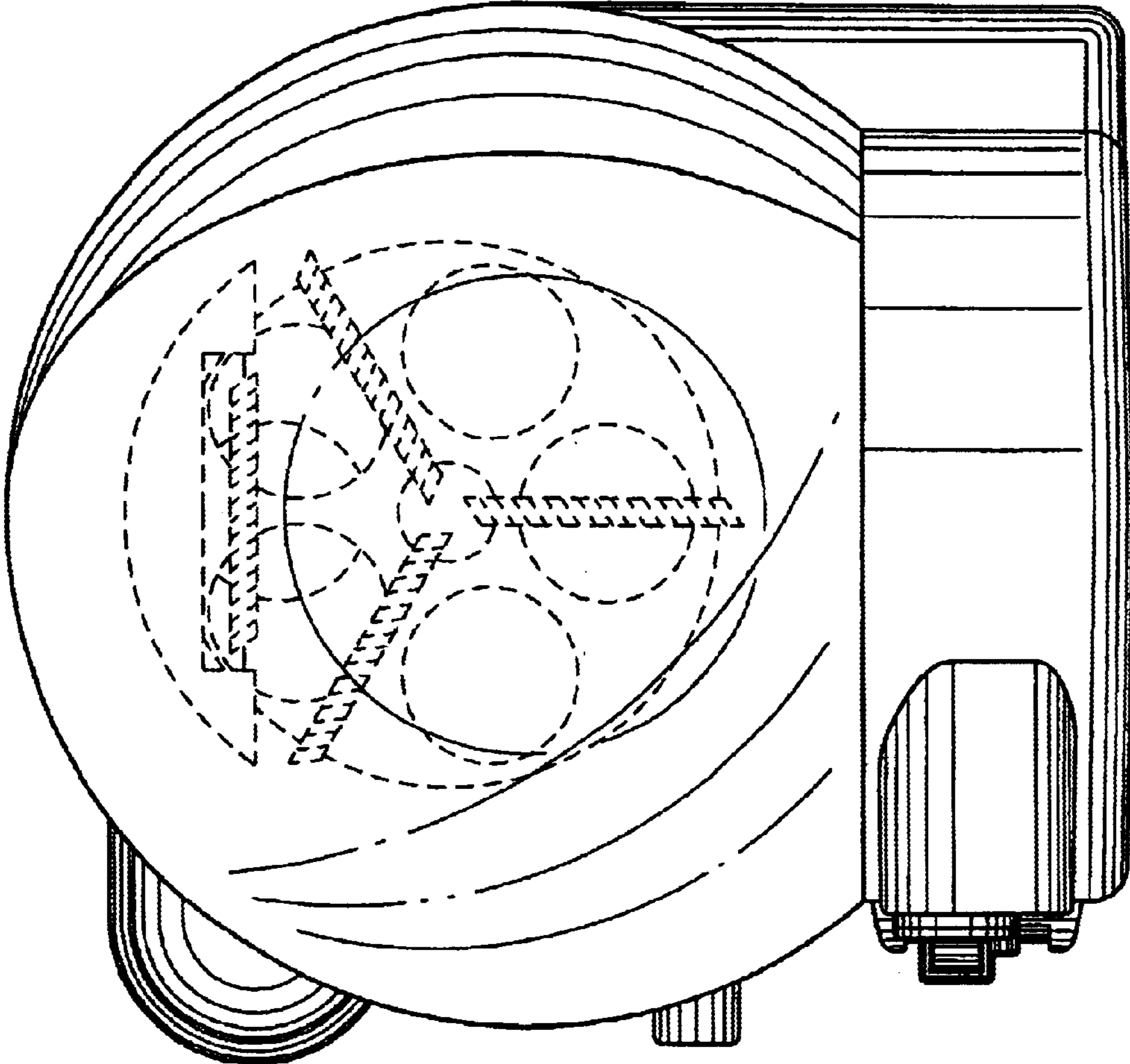


FIG. 2

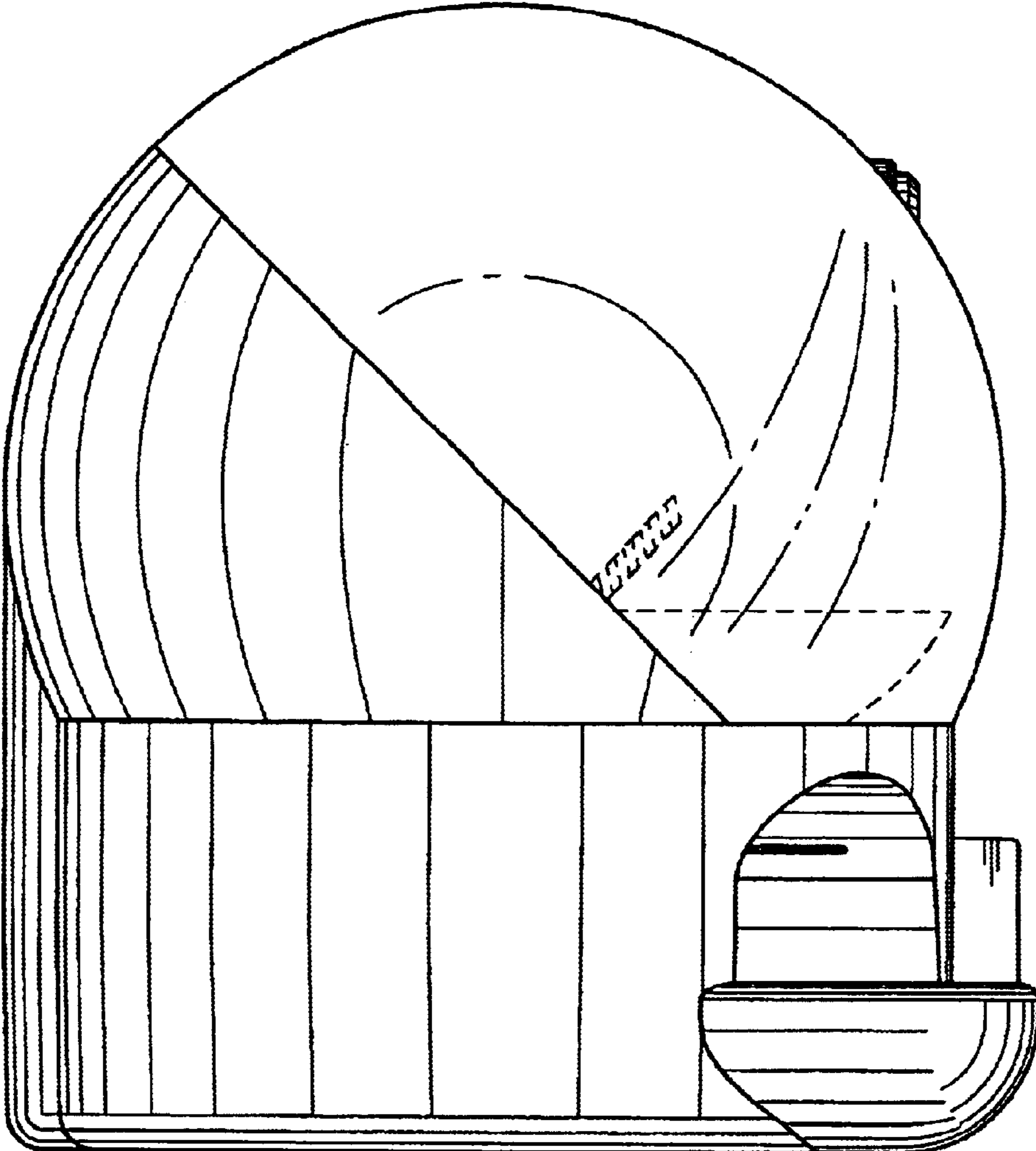


FIG. 3

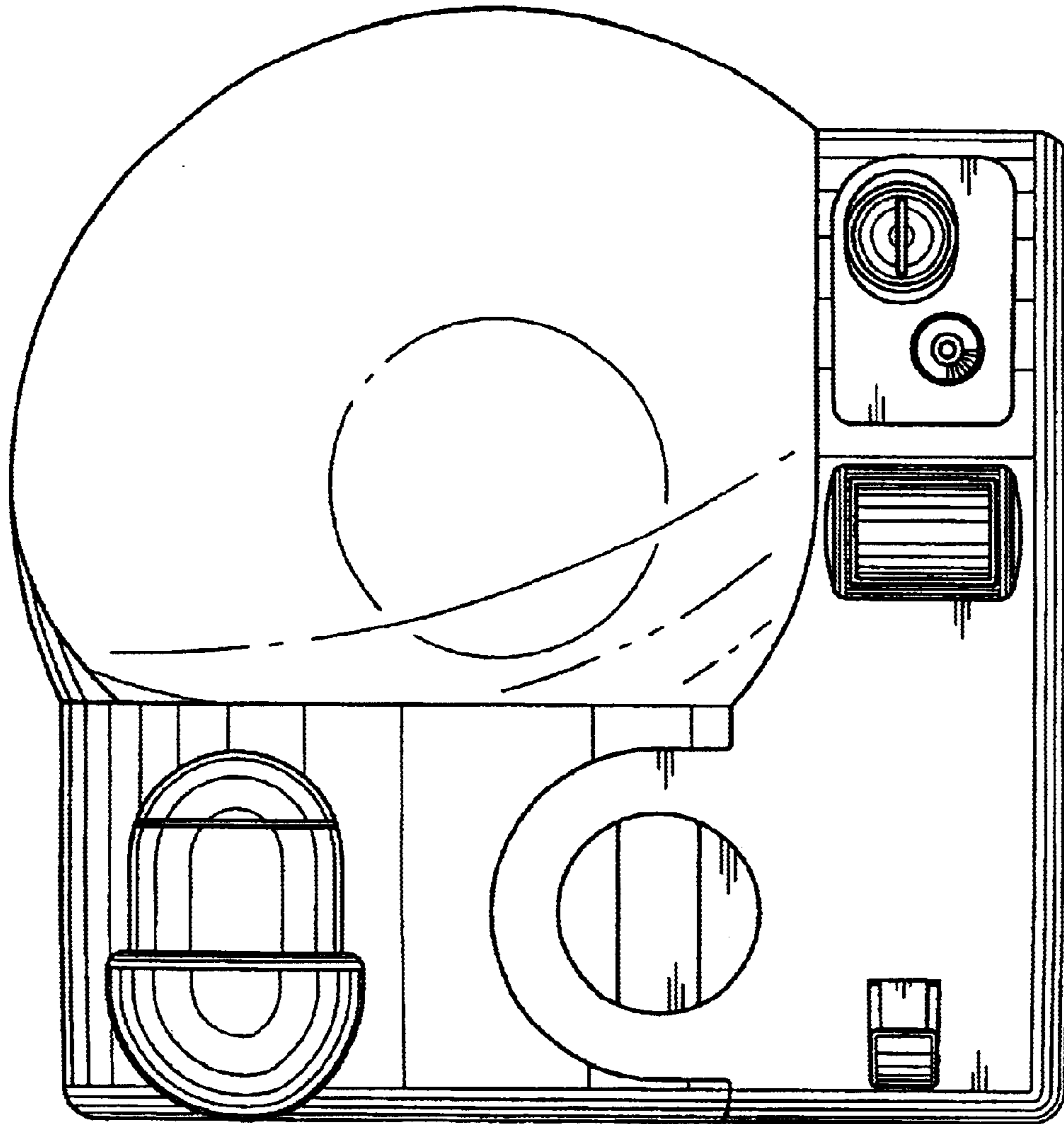


FIG. 4

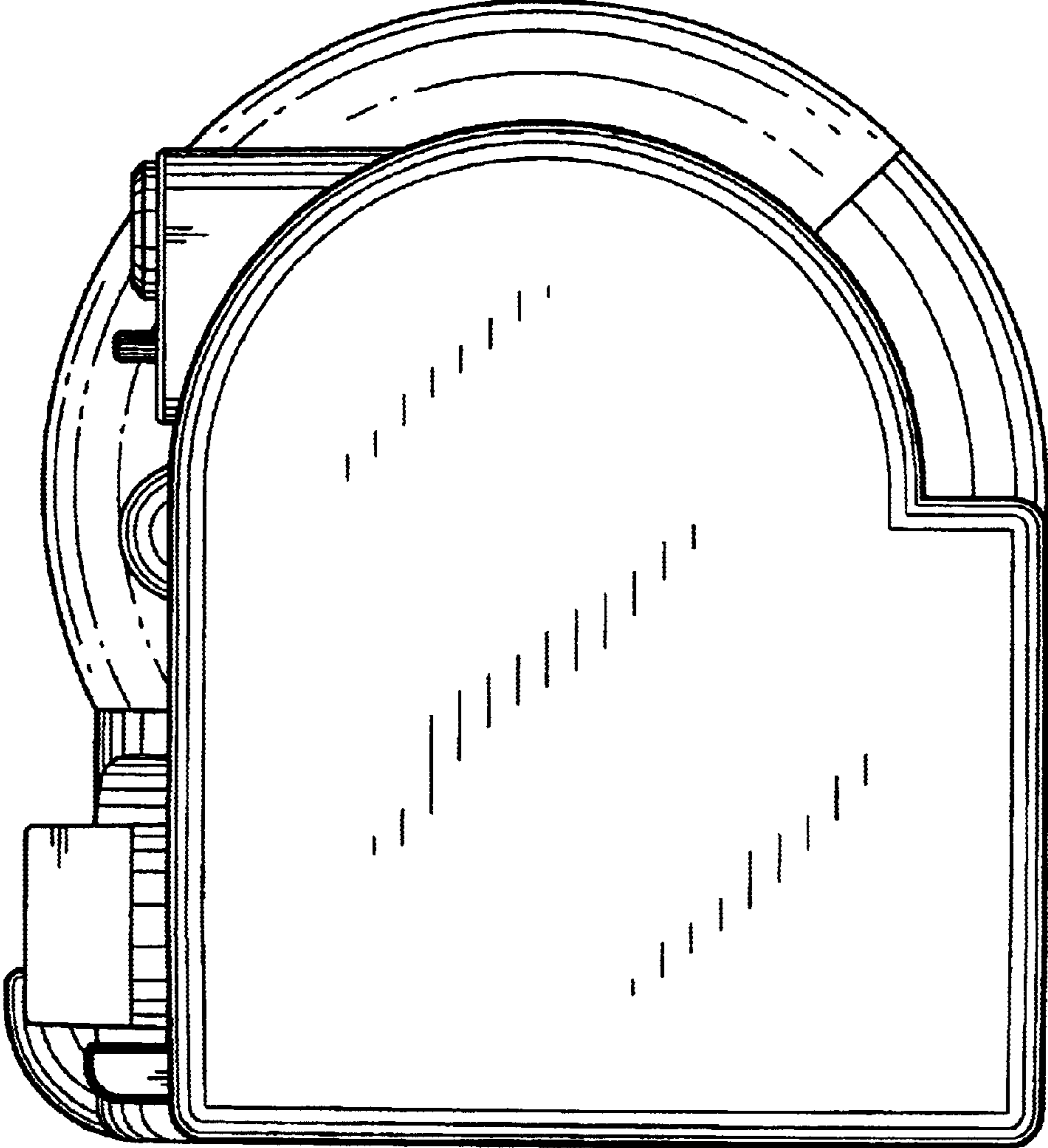


FIG. 5

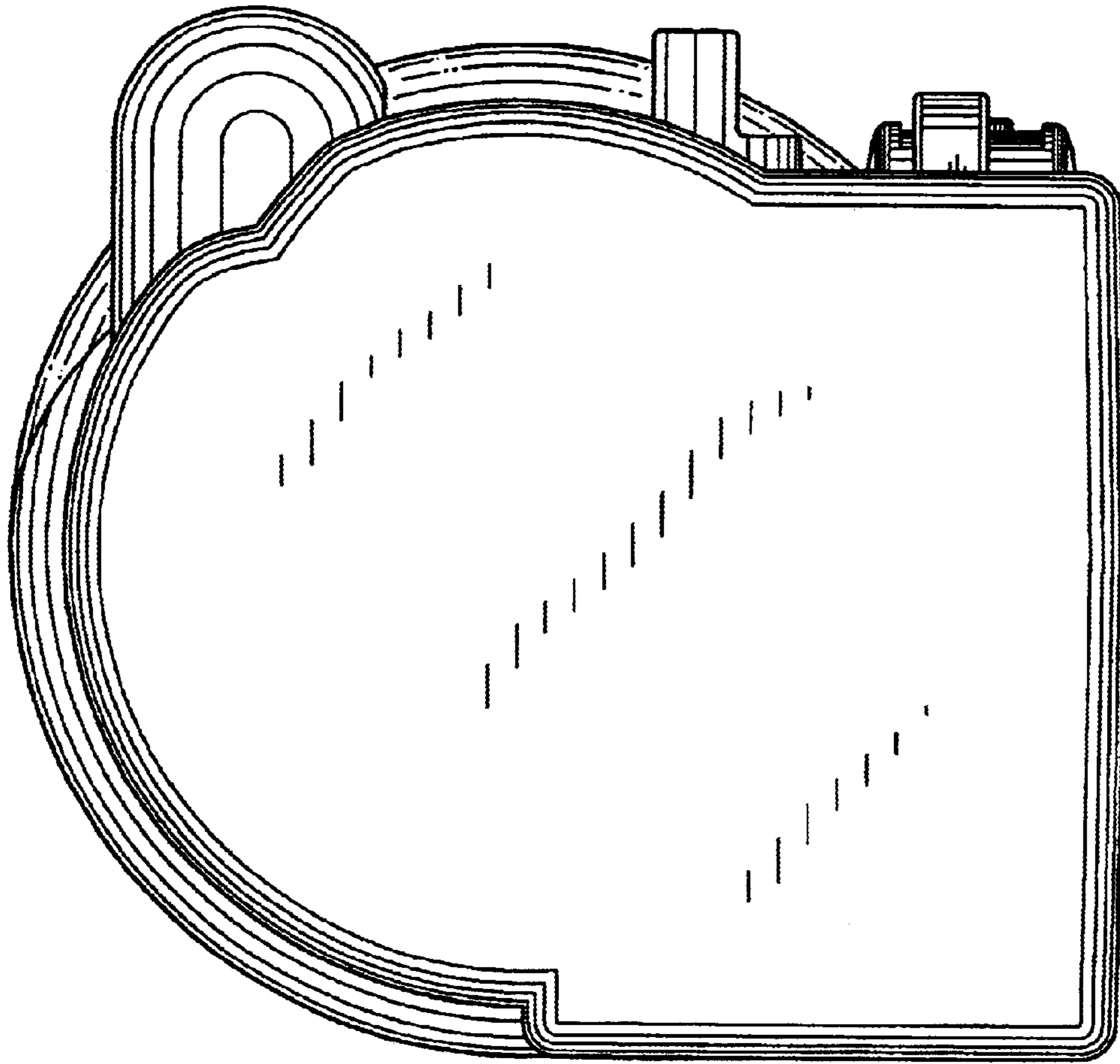


FIG. 6

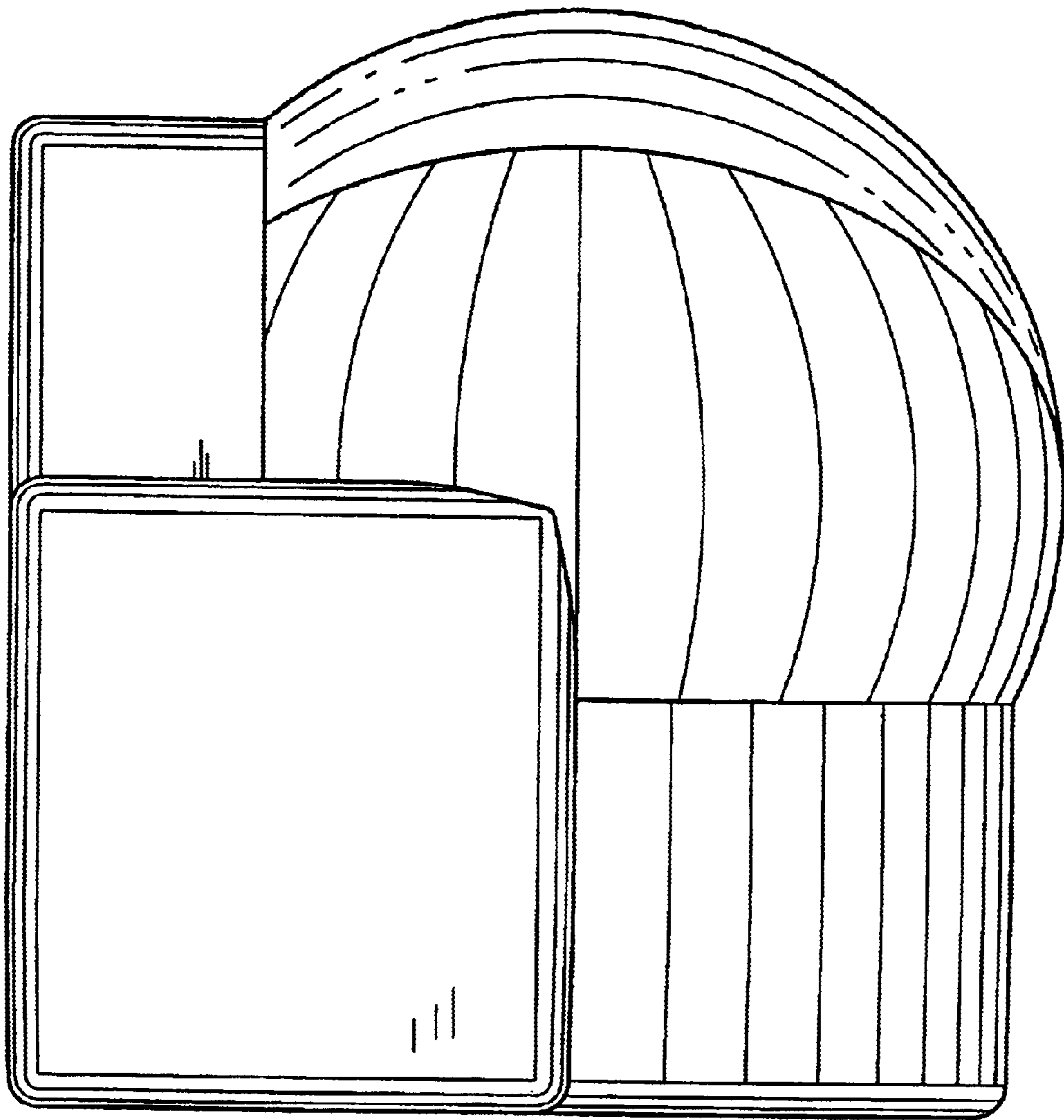


FIG. 7